



US00D409952S

**United States Patent** [19]  
**Crathorne et al.**

[11] **Patent Number: Des. 409,952**

[45] **Date of Patent: \*\* May 18, 1999**

[54] **DISPLAY TRAILER FOR VEHICLES**

[75] Inventors: **Roger Charles Crathorne**,  
Leamington; **Barry Chapman**,  
Cambridgeshire, both of United  
Kingdom

[73] Assignee: **Rover Group Limited**, Warwick,  
United Kingdom

[\*\*] Term: **14 Years**

[21] Appl. No.: **29/084,497**

[22] Filed: **Mar. 4, 1998**

[30] **Foreign Application Priority Data**

Sep. 5, 1997 [GB] United Kingdom ..... 2068791

[51] **LOC (6) Cl.** ..... **12-10**

[52] **U.S. Cl.** ..... **D12/101**

[58] **Field of Search** ..... D12/97, 99, 101;  
40/590, 603; 296/21, 27, 181

[56] **References Cited**

**U.S. PATENT DOCUMENTS**

D. 238,259 12/1975 Sweet et al. .... D12/97

D. 274,321 6/1984 Hayes et al. .... D12/97  
D. 292,196 10/1987 Dooley ..... D12/97  
D. 345,125 3/1994 McCrary ..... D12/104

*Primary Examiner*—Melody N. Brown  
*Attorney, Agent, or Firm*—Davis and Bujold

[57] **CLAIM**

A display trailer for vehicles, having the ornamental design,  
as shown and described.

**DESCRIPTION**

FIG. 1 is a front perspective view of a display trailer of the  
invention,

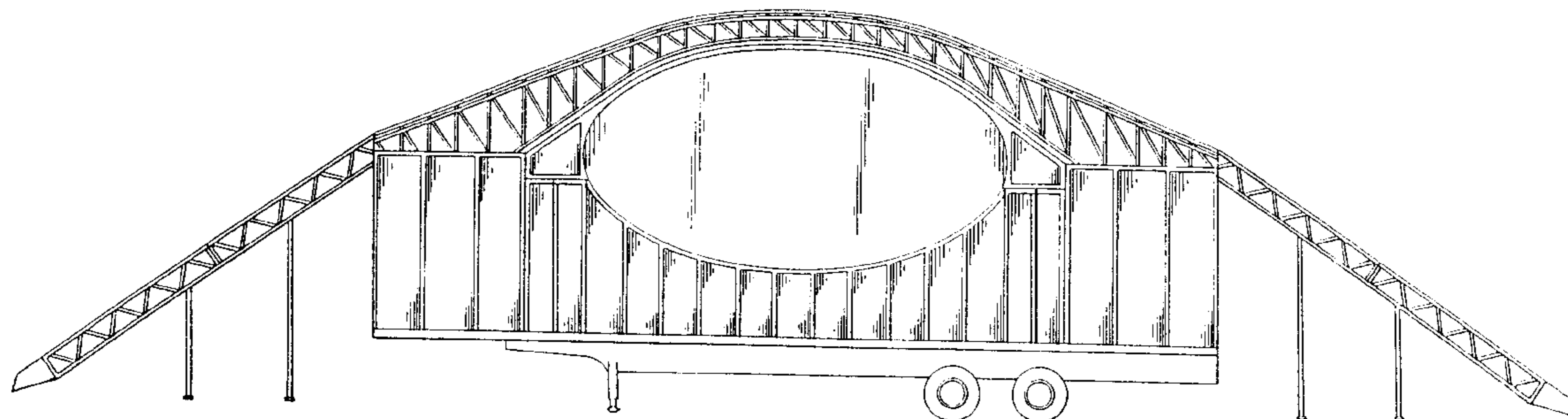
FIG. 2 is a side view of the embodiment of FIG. 1 with end  
ramps removed,

FIG. 3 is a plan view of the embodiment of FIG. 1 with end  
ramps removed,

FIG. 4 is an end view of the embodiment of FIG. 1 with end  
ramps removed; and,

FIG. 5 is a side view of the embodiment of FIG. 1 with end  
ramps in place.

**1 Claim, 5 Drawing Sheets**



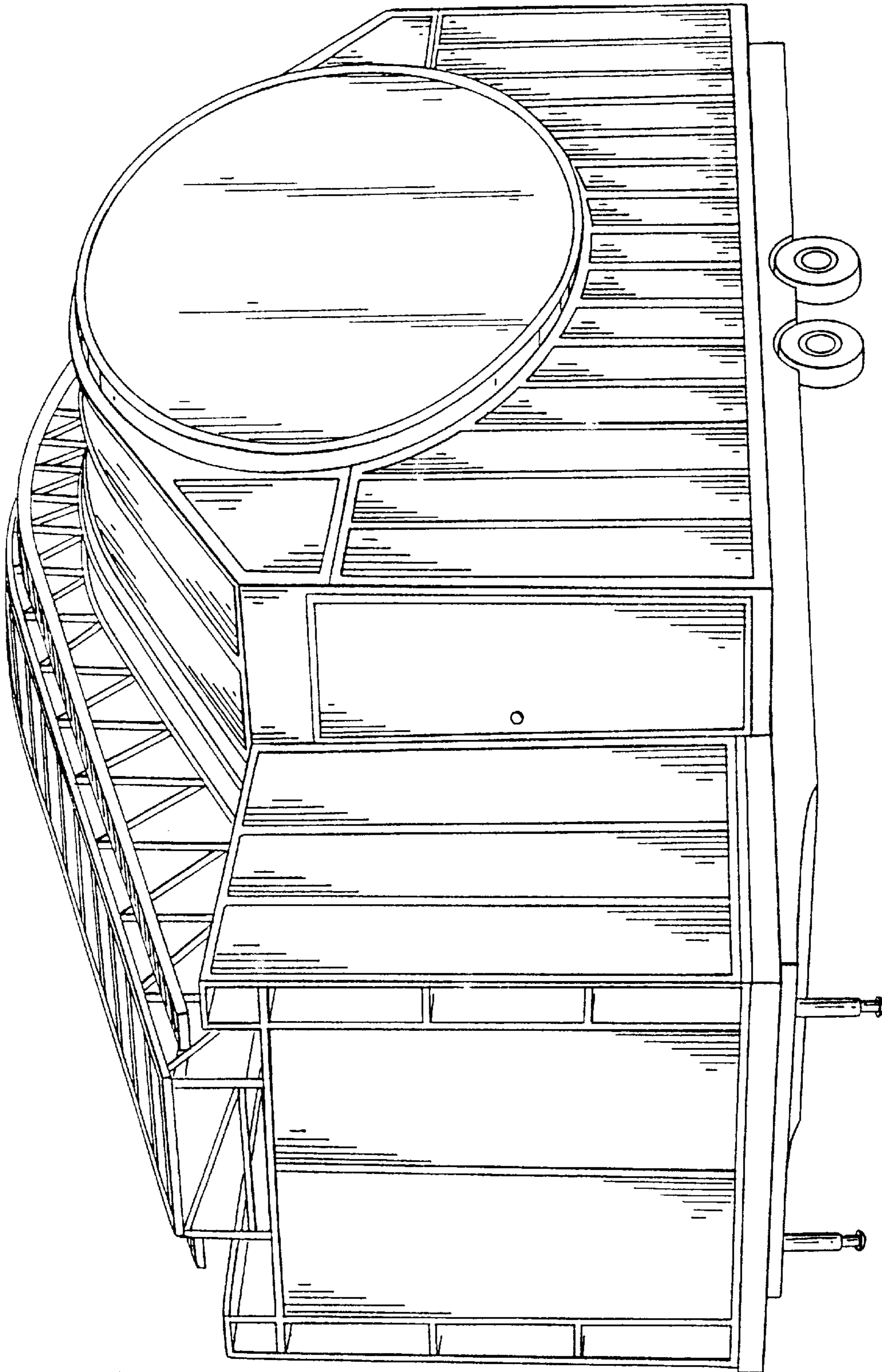


FIGURE 1

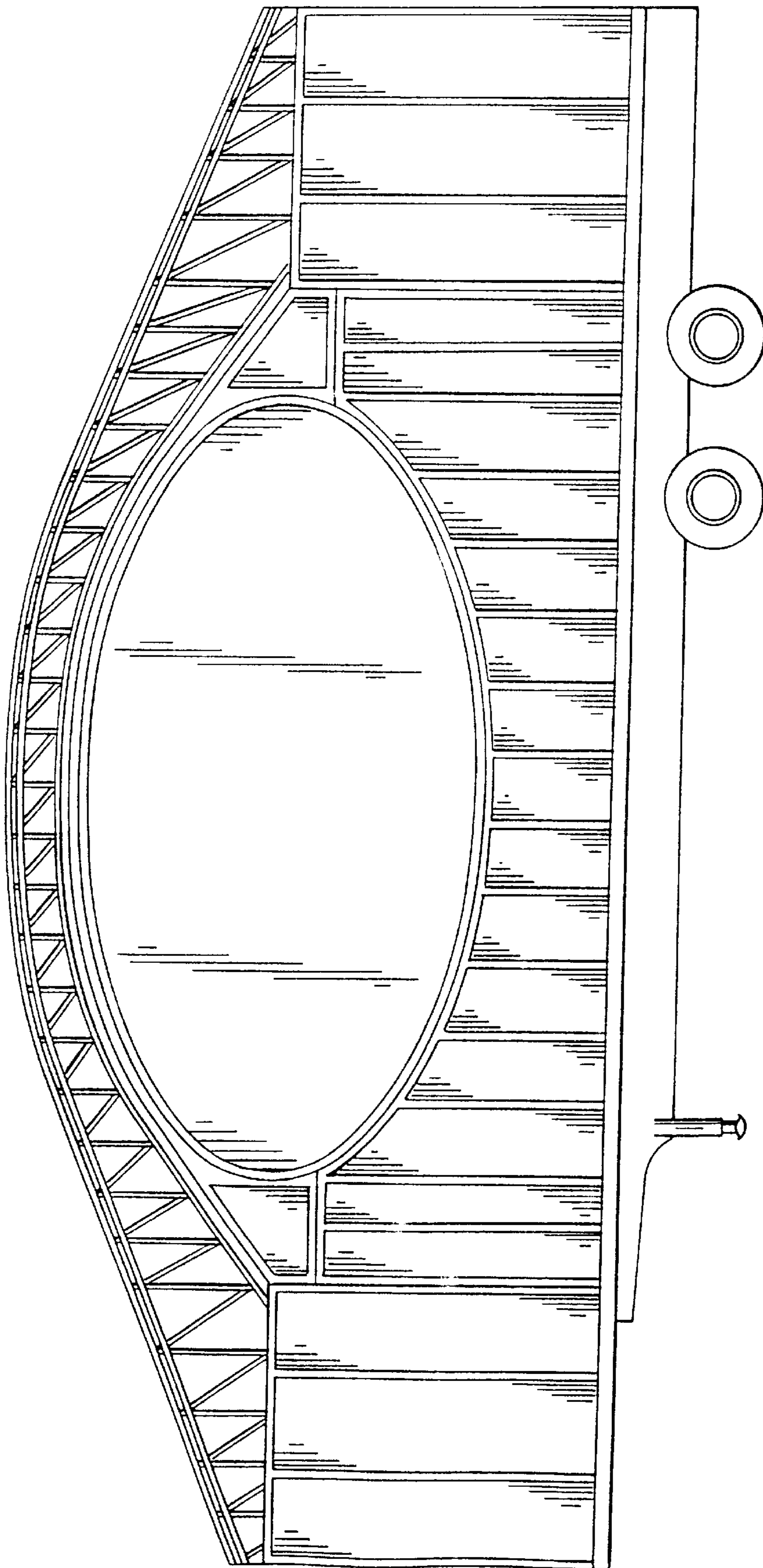


FIGURE 2

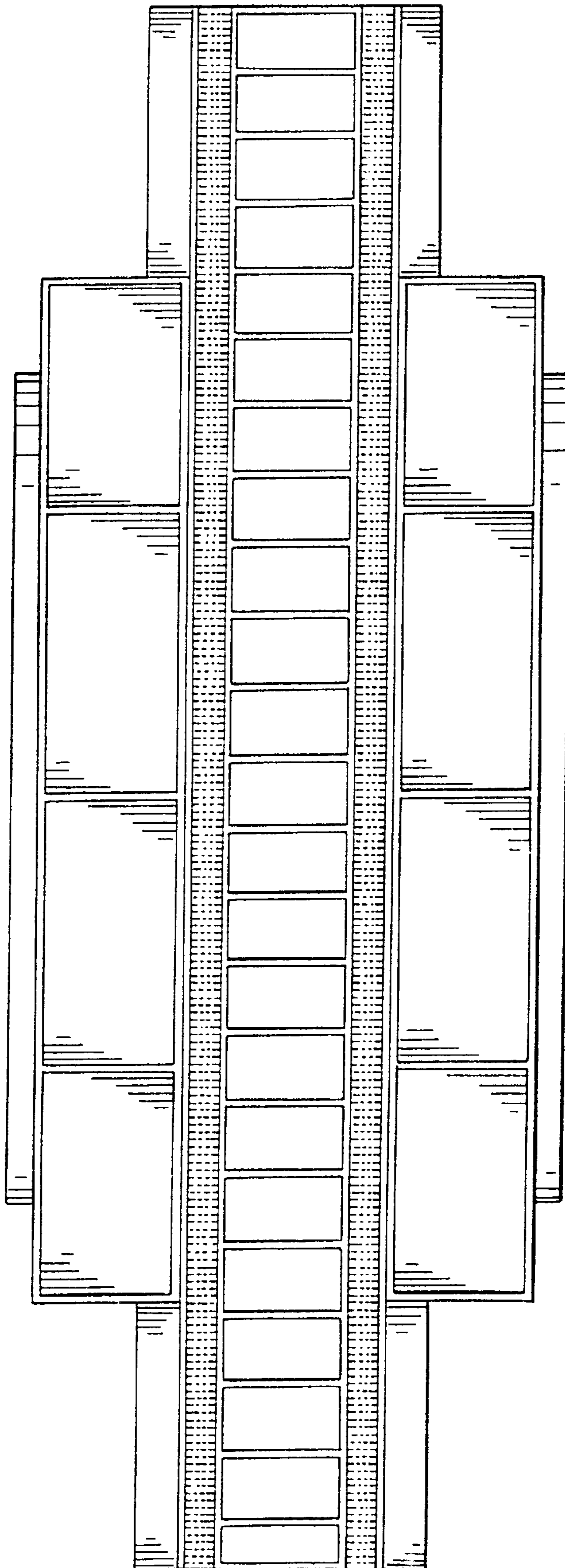
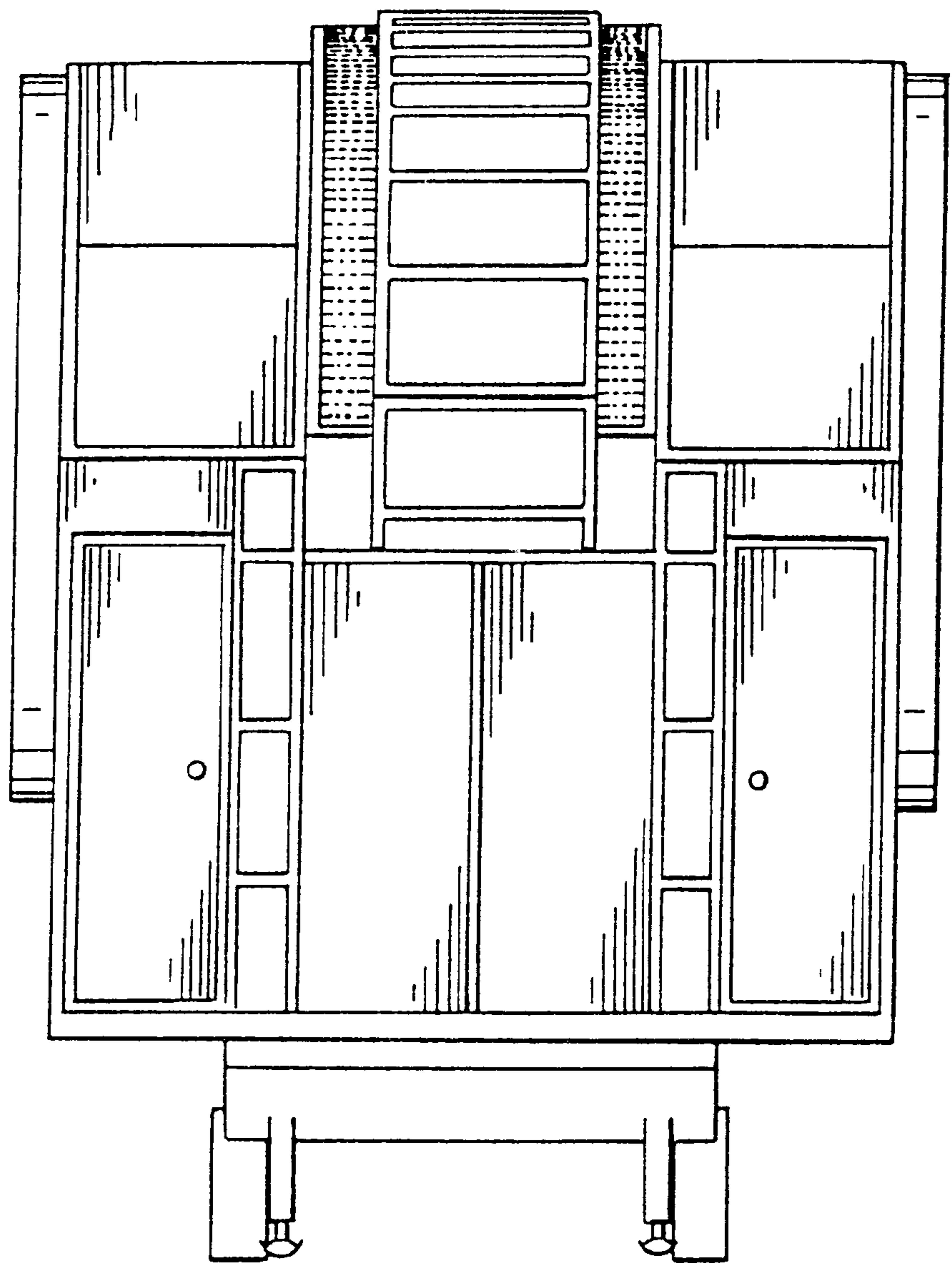


FIGURE 3



FIGURE 4



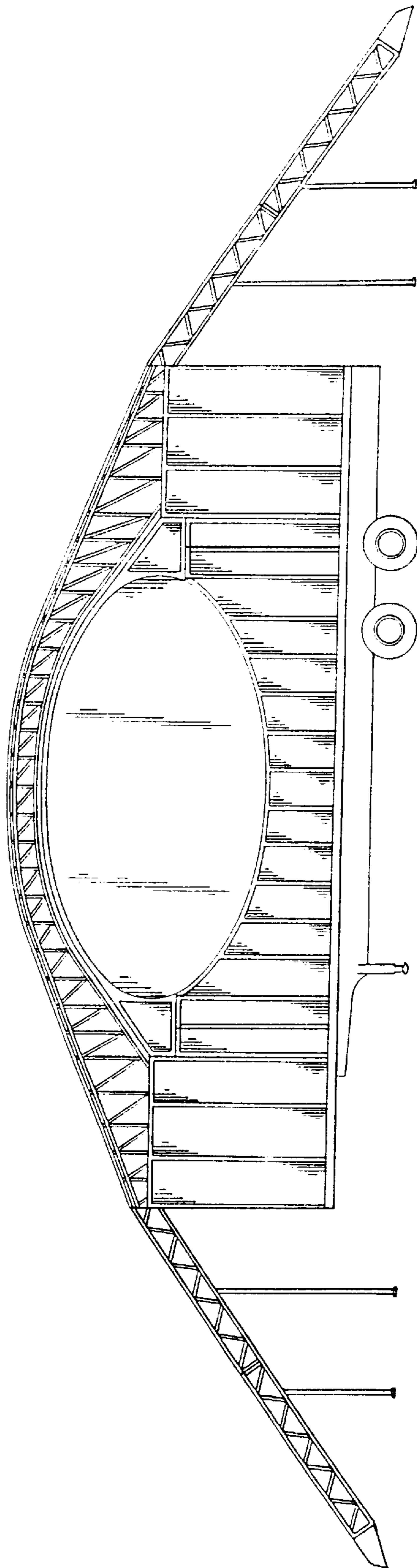


FIGURE 5