



US00D409949S

United States Patent [19]

[11] Patent Number: **Des. 409,949**

Weder et al.

[45] Date of Patent: **** *May 18, 1999**

[54] **FLOWER POT COVER**

[75] Inventors: **Donald E. Weder; Joseph G. Straeter,**
both of Highland, Ill.

[73] Assignee: **Southpac Trust International, Inc.**

[*] Notice: This patent is subject to a terminal disclaimer.

[**] Term: **14 Years**

[21] Appl. No.: **29/090,949**

[22] Filed: **Jul. 20, 1998**

Related U.S. Application Data

[62] Division of application No. 29/049,223, Jan. 22, 1996, Pat. No. Des. 400,471, which is a division of application No. 29/002,131, Nov. 30, 1992, Pat. No. Des. 369,322, which is a continuation-in-part of application No. 07/781,453, Oct. 21, 1991, Pat. No. Des. 348,634, which is a continuation-in-part of application No. 07/617,454, Nov. 21, 1990, abandoned, said application No. 07/781,453, is a continuation-in-part of application No. 07/411,249, Sep. 22, 1989, Pat. No. Des. 358,113, and application No. 07/411,247, Sep. 22, 1989, abandoned, and application No. 07/411,245, Sep. 22, 1989, abandoned.

[51] **LOC (6) Cl.** **11-02**

[52] **U.S. Cl.** **D11/164**

[58] **Field of Search** D11/143, 149,
D11/152-156, 164, 89, 90; 47/65.5-65.7,
72; 206/423; 428/27, 35.1, 24, 542.6; D9/346,
428-431; D27/102, 133; D26/128-136;
D19/96; D7/540, 584, 586, 587, 354; 215/100.5;
229/1.5 R, 1.5 B, 108.1, 109, 110, 87.01,
922, 930, 186, 189, 4.5, 108

[56] References Cited

U.S. PATENT DOCUMENTS

- D. 239,192 3/1976 Wiles et al. D35/3 A
- D. 254,659 4/1980 Karotseris D11/143
- D. 292,182 10/1987 Weder et al. D11/164
- D. 292,562 11/1987 Weder et al. D11/164
- D. 293,224 12/1987 Weder et al. D11/164
- D. 293,775 1/1988 Weder et al. D11/164
- D. 317,583 6/1991 Weder et al. D11/164

- D. 322,403 12/1991 Eaton D9/429
- D. 324,659 3/1992 Stehouwer D11/164
- D. 336,041 6/1993 Zama D9/429
- D. 348,634 7/1994 Weder et al. D11/164
- D. 359,931 7/1995 Weder et al. D11/164
- D. 364,119 11/1995 Weder et al. D11/164
- D. 364,362 11/1995 Weder et al. D11/164
- D. 364,585 11/1995 Weder et al. D11/164
- D. 369,124 4/1996 Weder et al. D11/164
- D. 369,320 4/1996 Weder et al. D11/164
- D. 369,321 4/1996 Weder et al. D11/164
- D. 369,322 4/1996 Weder et al. D11/164
- D. 370,431 6/1996 Weder et al. D11/164
- D. 374,204 10/1996 Weder D9/305 X
- 1,951,642 3/1934 Augustin et al. 47/34
- 2,355,559 8/1944 Renner 229/8
- 3,253,768 5/1966 Gjesdal 229/37
- 3,443,741 5/1969 Stockdale 229/51
- 3,904,104 9/1975 Kane 206/45.34
- 4,043,077 8/1977 Stonehocker 47/66
- 4,712,725 12/1987 Moore 229/8
- 5,076,011 12/1991 Stehouwer 47/72

FOREIGN PATENT DOCUMENTS

- 2489126 3/1982 France .
- 2603159 3/1988 France .

OTHER PUBLICATIONS

Exhibit A—"The Simple Solution For Those Peak Volume Perids", a brochure (6 pages), published by Highland Supply Corporation, 1111 Sixth St., Highland, Illinois 62249, 1989.

Primary Examiner—Jeffrey Asch
Attorney, Agent, or Firm—Dunlap, Coddling & Rogers, P.C.

[57] CLAIM

The ornamental design for a flower pot cover, as shown and described.

DESCRIPTION

- FIG. 1 is a perspective view of our new flower pot cover design;
- FIG. 2 is a side elevational view thereof;
- FIG. 3 is a top plan view thereof;
- FIG. 4 is a bottom plan view thereof;
- FIG. 5 is a perspective view of a second embodiment of our new flower pot cover design;
- FIG. 6 is a side elevational view thereof;

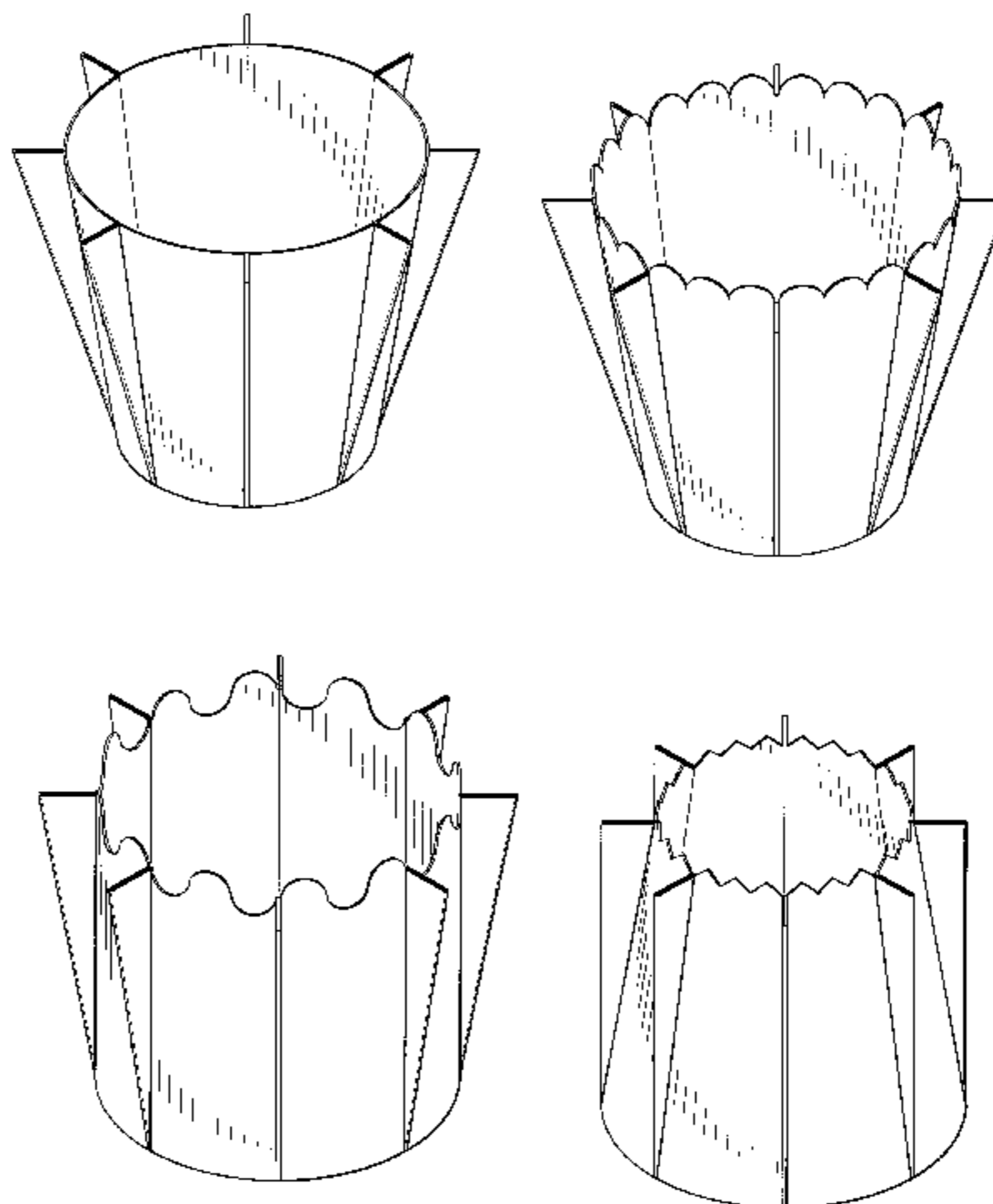


FIG. 7 is a top plan view thereof;
FIG. 8 is a bottom plan view thereof;
FIG. 9 is a perspective view of a third embodiment of our new flower pot cover design;
FIG. 10 is a side elevational view thereof;
FIG. 11 is a top plan view thereof;
FIG. 12 is a bottom plan view thereof;
FIG. 13 is a perspective view of a fourth embodiment of our new flower pot cover design;
FIG. 14 is a side elevational view thereof;
FIG. 15 is a top plan view thereof;
FIG. 16 is a bottom plan view thereof;
FIG. 17 is a perspective view of a fifth embodiment of our new flower pot cover design;
FIG. 18 is a side elevational view thereof;
FIG. 19 is a top plan view thereof;
FIG. 20 is a bottom plan view thereof;
FIG. 21 is a perspective view of a sixth embodiment of our new flower pot cover design;
FIG. 22 is a side elevational view thereof;
FIG. 23 is a top plan view thereof;
FIG. 24 is a bottom plan view thereof;
FIG. 25 is a perspective view of a seventh embodiment of our new flower pot cover design;
FIG. 26 is a side elevational view thereof;

FIG. 27 is a top plan view thereof;
FIG. 28 is a bottom plan view thereof;
FIG. 29 is a perspective view of an eighth embodiment of our new flower pot cover design;
FIG. 30 is a side elevational view thereof;
FIG. 31 is a top plan view thereof;
FIG. 32 is a bottom plan view thereof;
FIG. 33 is a perspective view of a ninth embodiment of our new flower pot cover design;
FIG. 34 is a side elevational view thereof;
FIG. 35 is a top plan view thereof;
FIG. 36 is a bottom plan view thereof;
FIG. 37 is a perspective view of a tenth embodiment of our new flower pot cover design;
FIG. 38 is a side elevational view thereof;
FIG. 39 is a top plan view thereof;
FIG. 40 is a bottom plan view thereof;
FIG. 41 is a perspective view of an eleventh embodiment of our new flower pot cover design;
FIG. 42 is a side elevational view thereof;
FIG. 43 is a top plan view thereof; and,
FIG. 44 is a bottom plan view thereof.

1 Claim, 11 Drawing Sheets

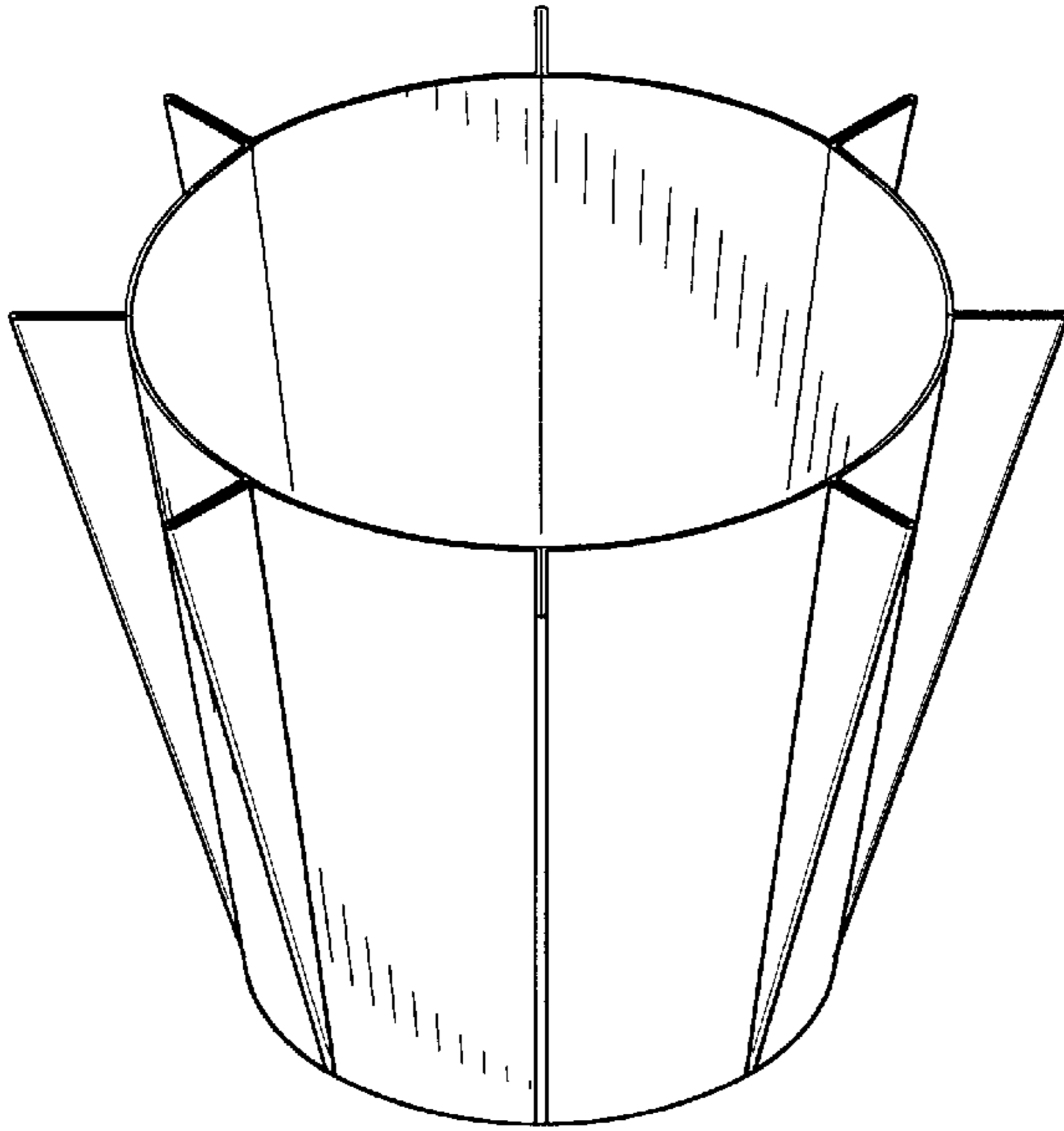


FIG. 1

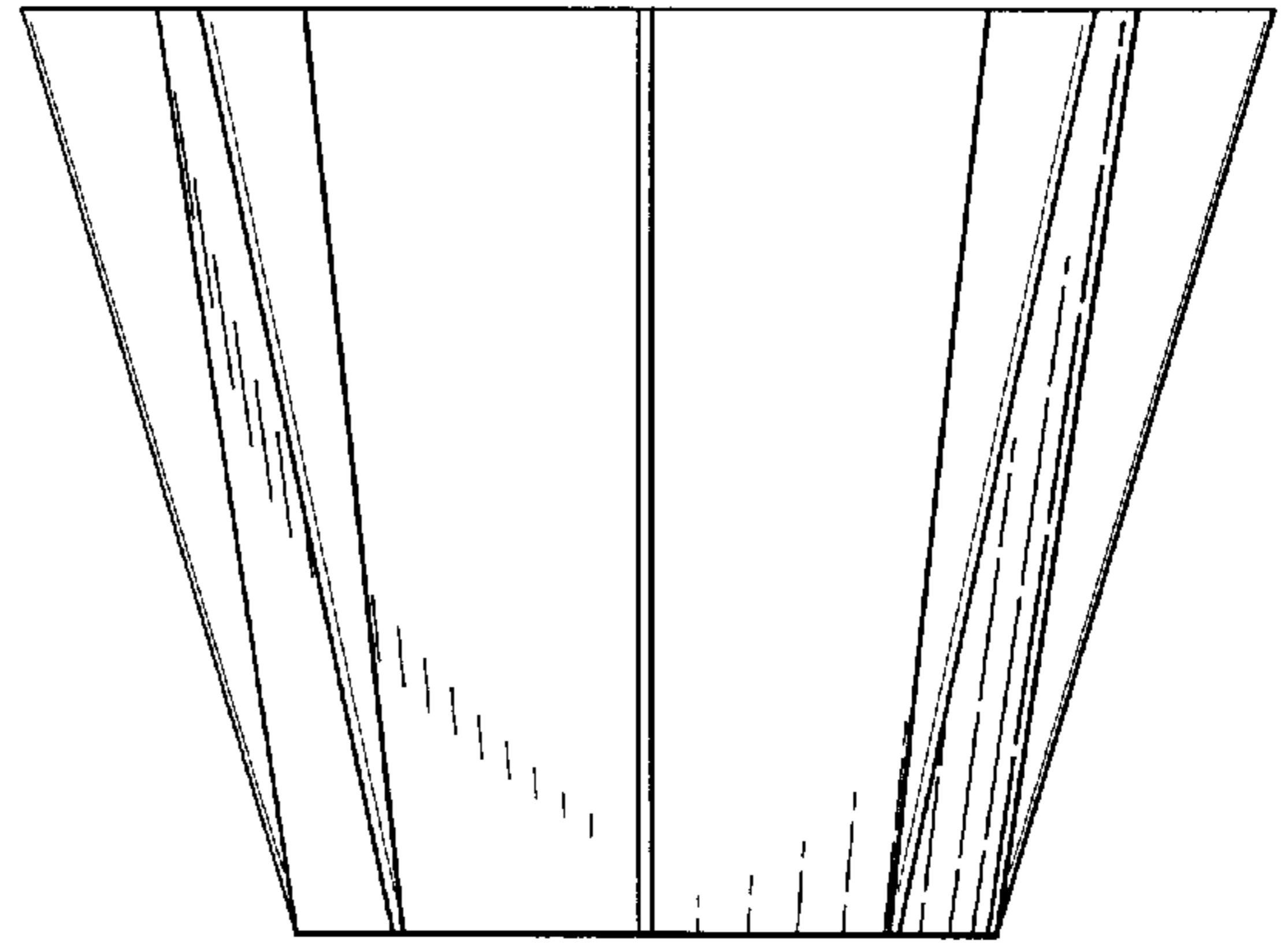


FIG. 2

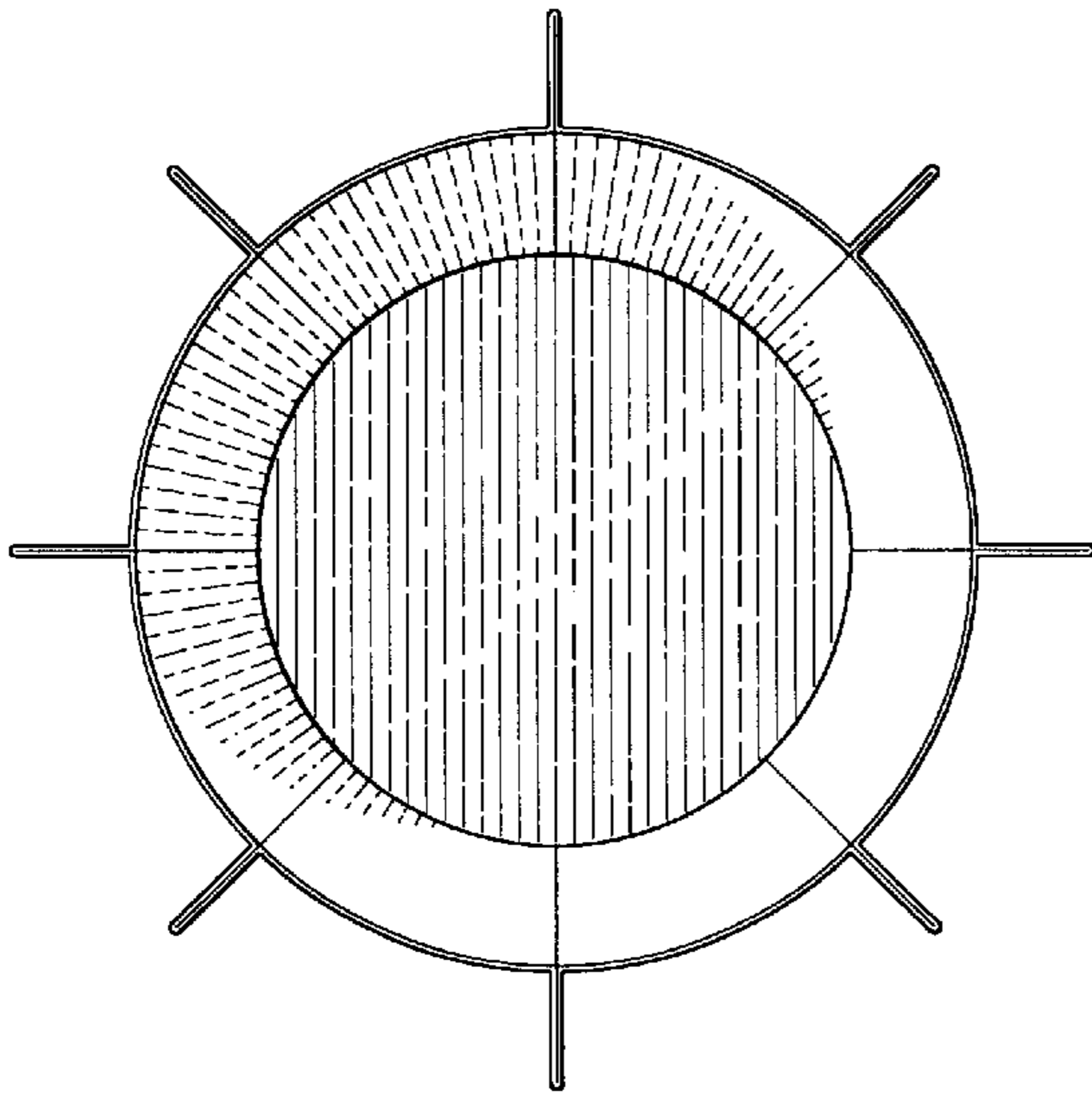


FIG. 3

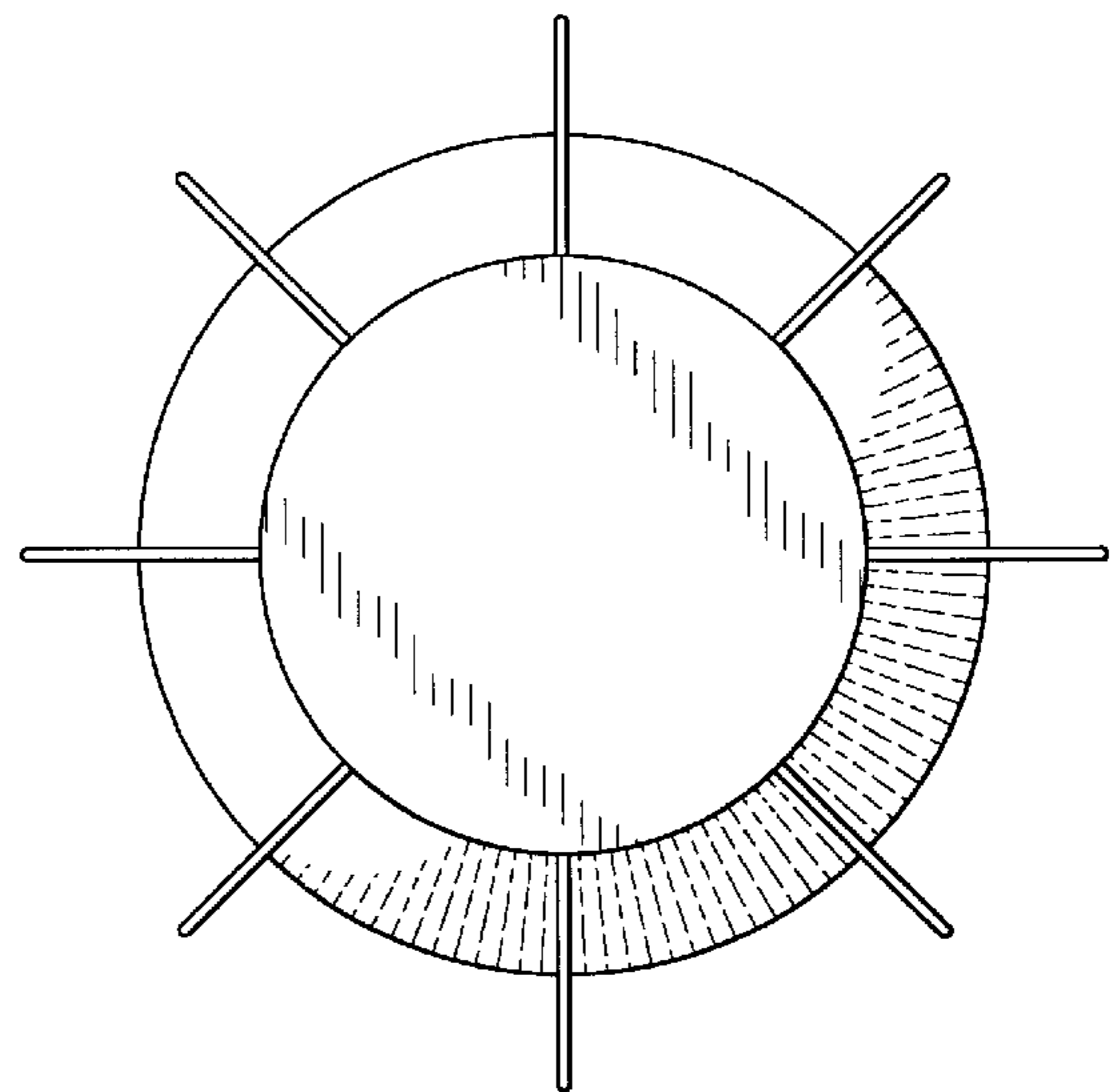


FIG. 4

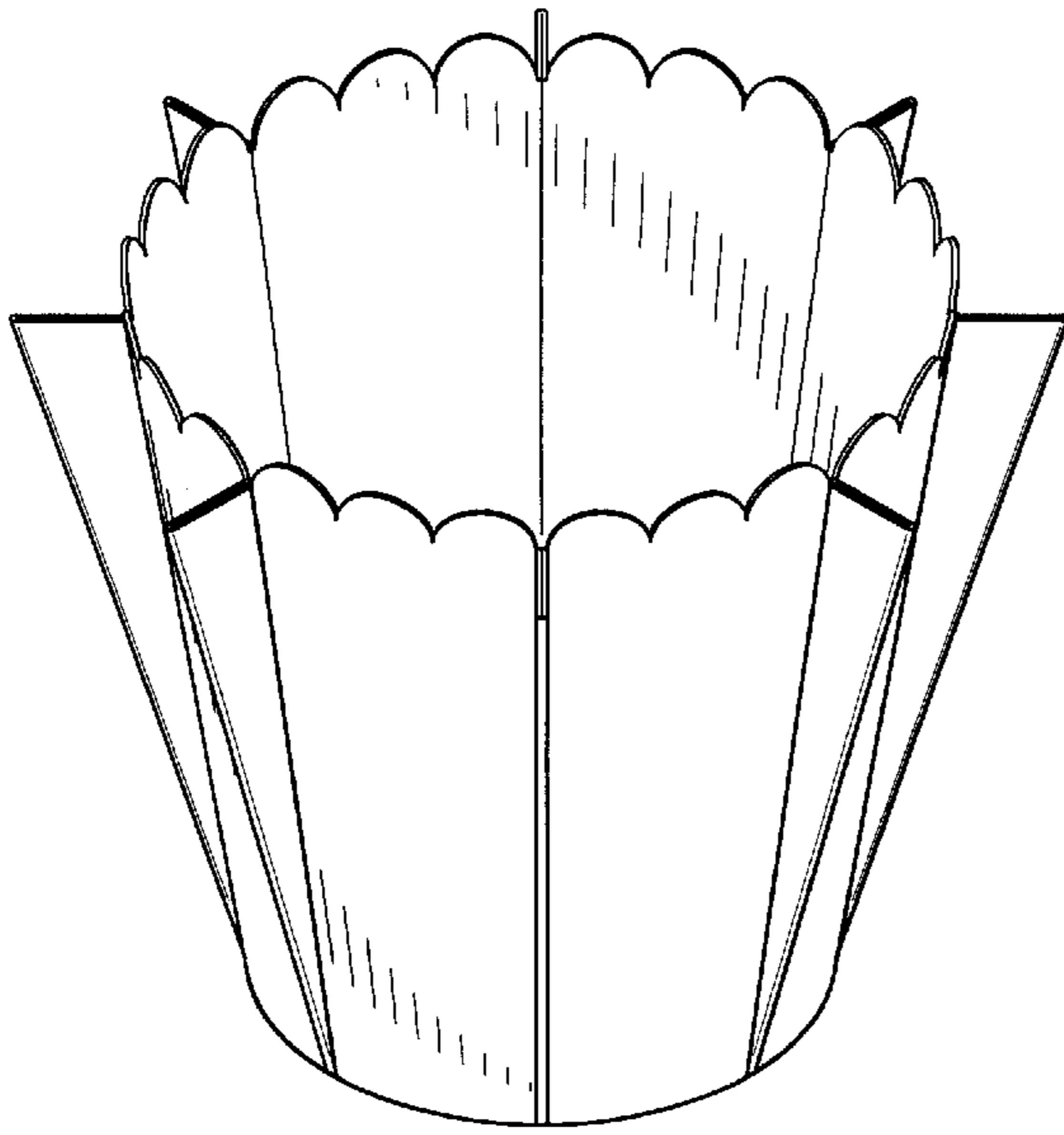


FIG. 5

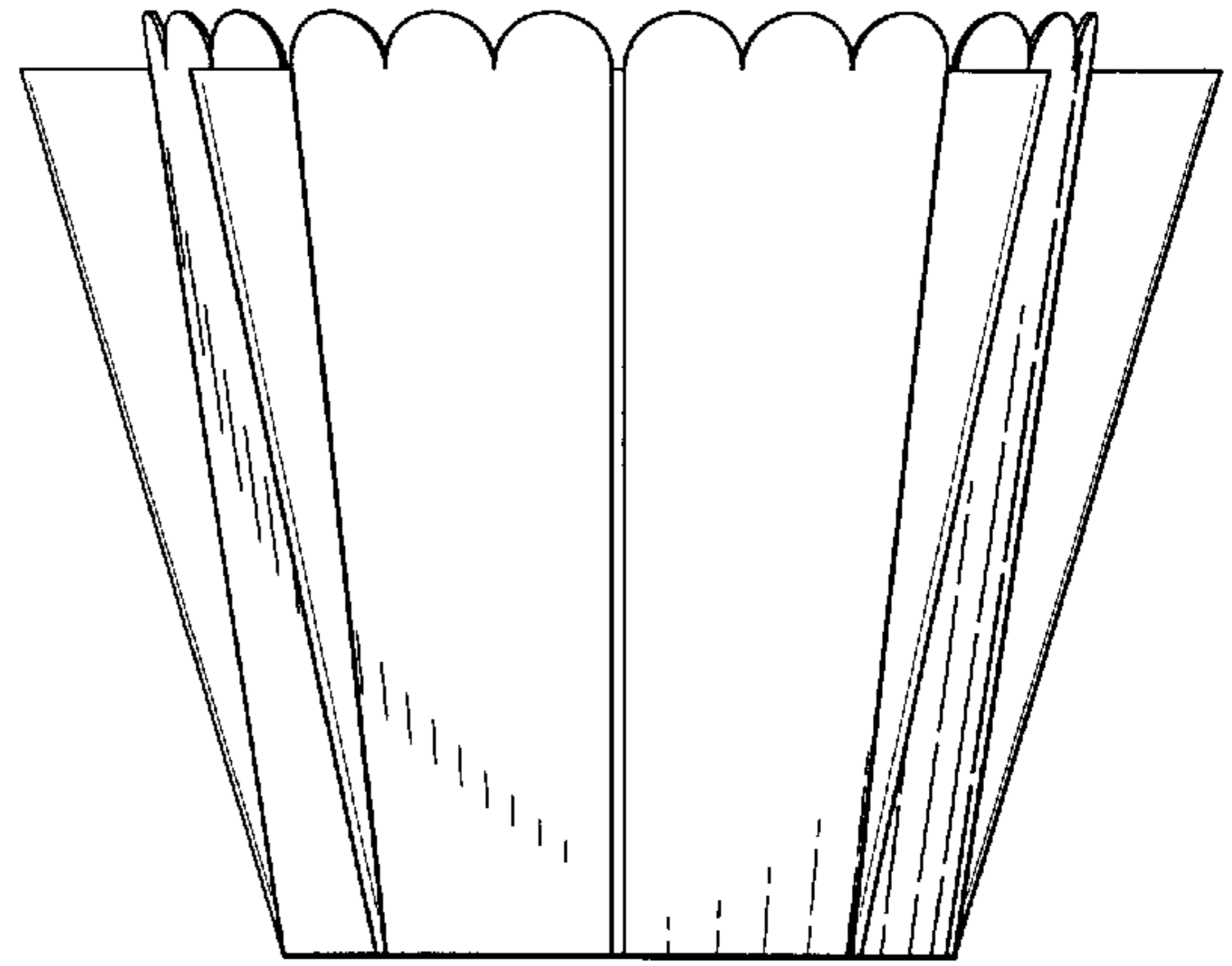


FIG. 6

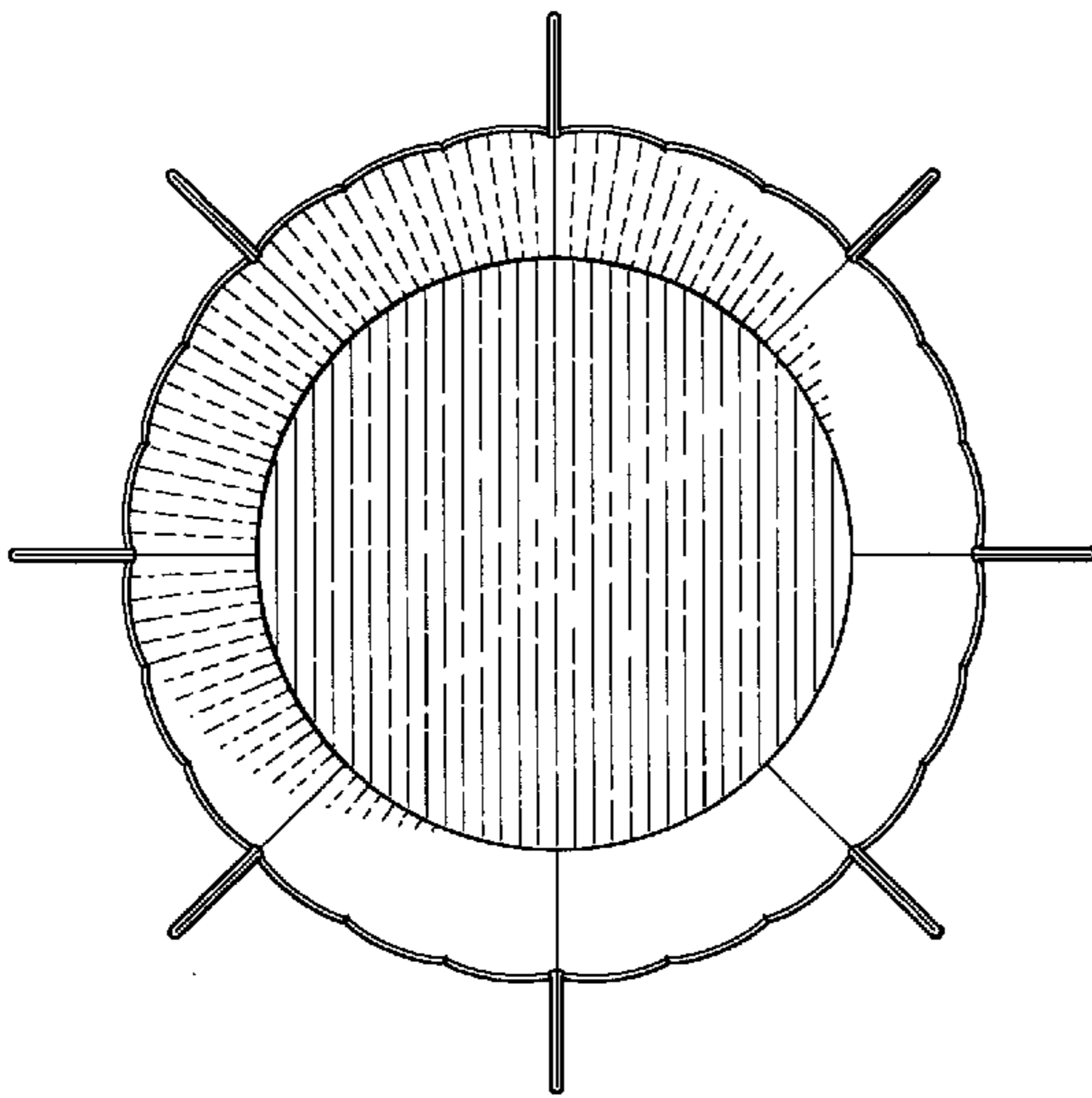


FIG. 7

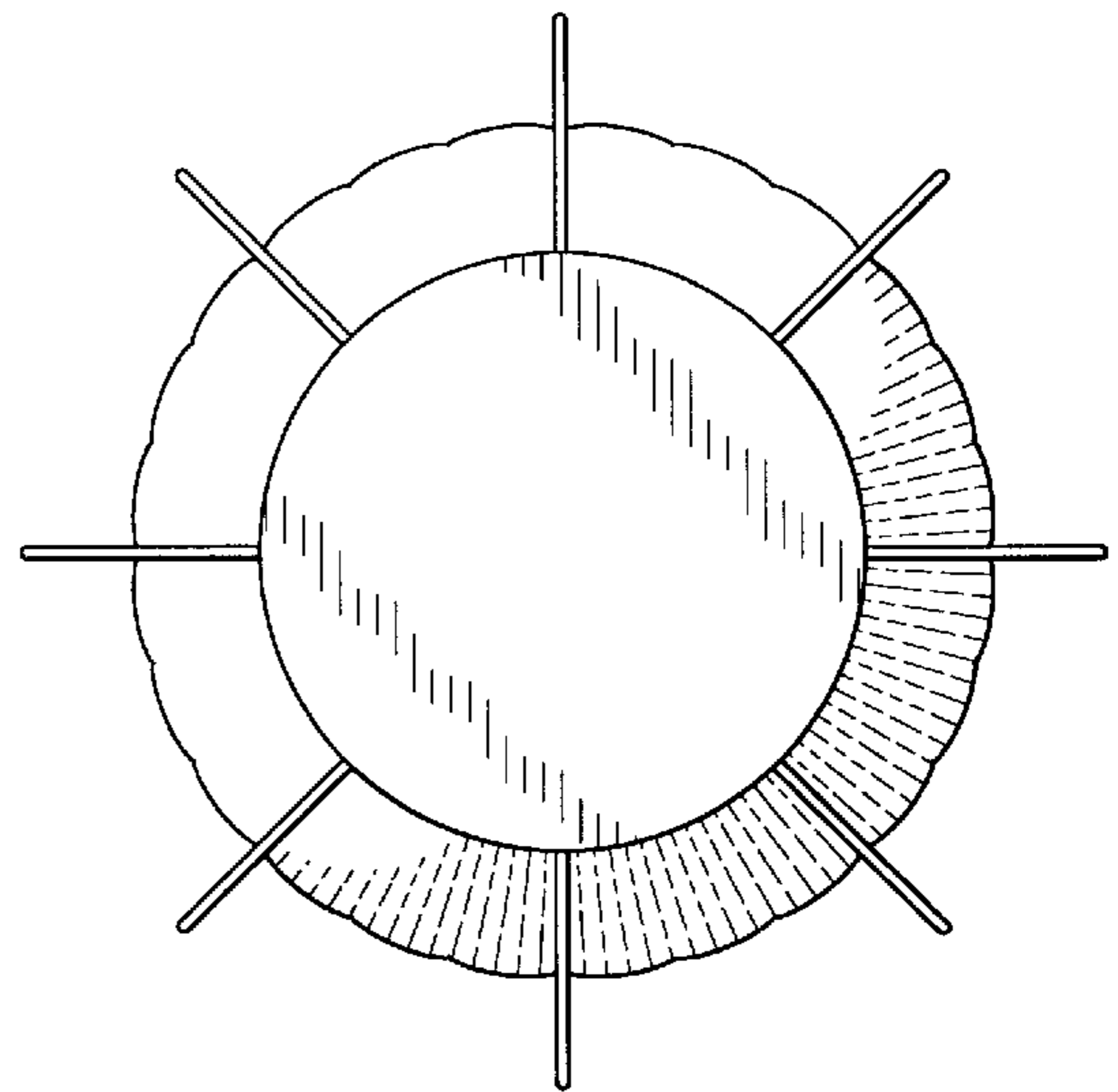


FIG. 8

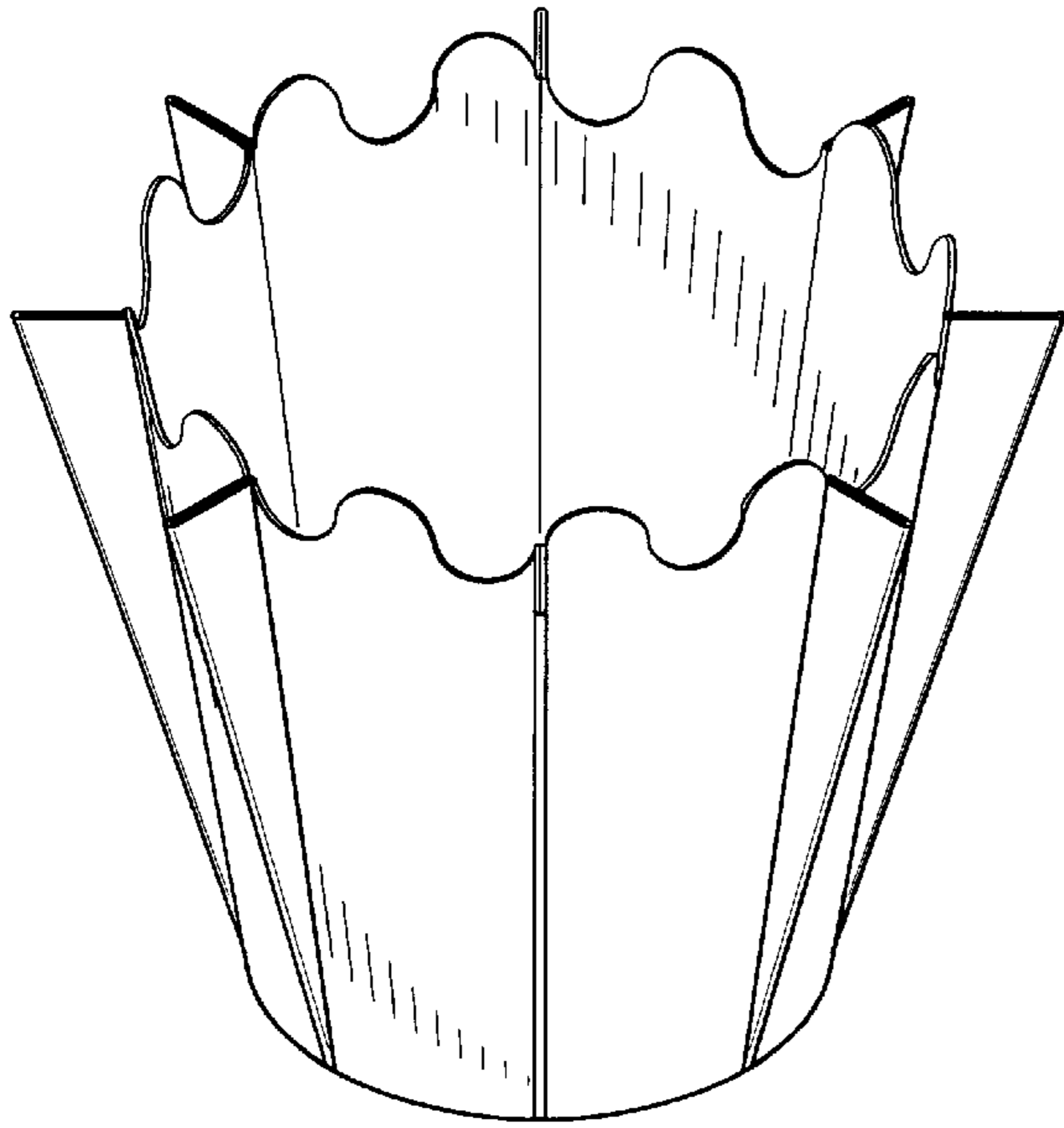


FIG. 9

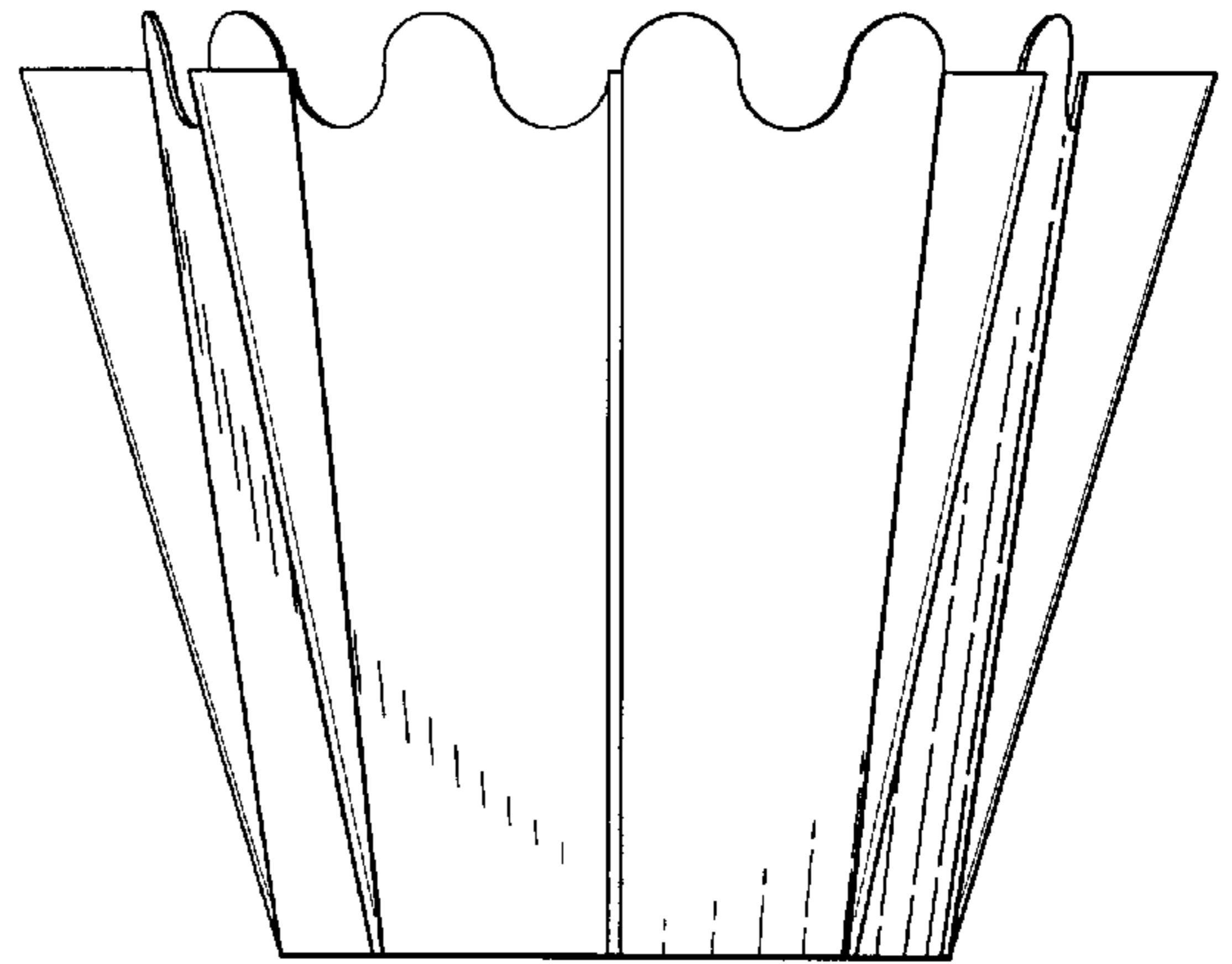


FIG. 10

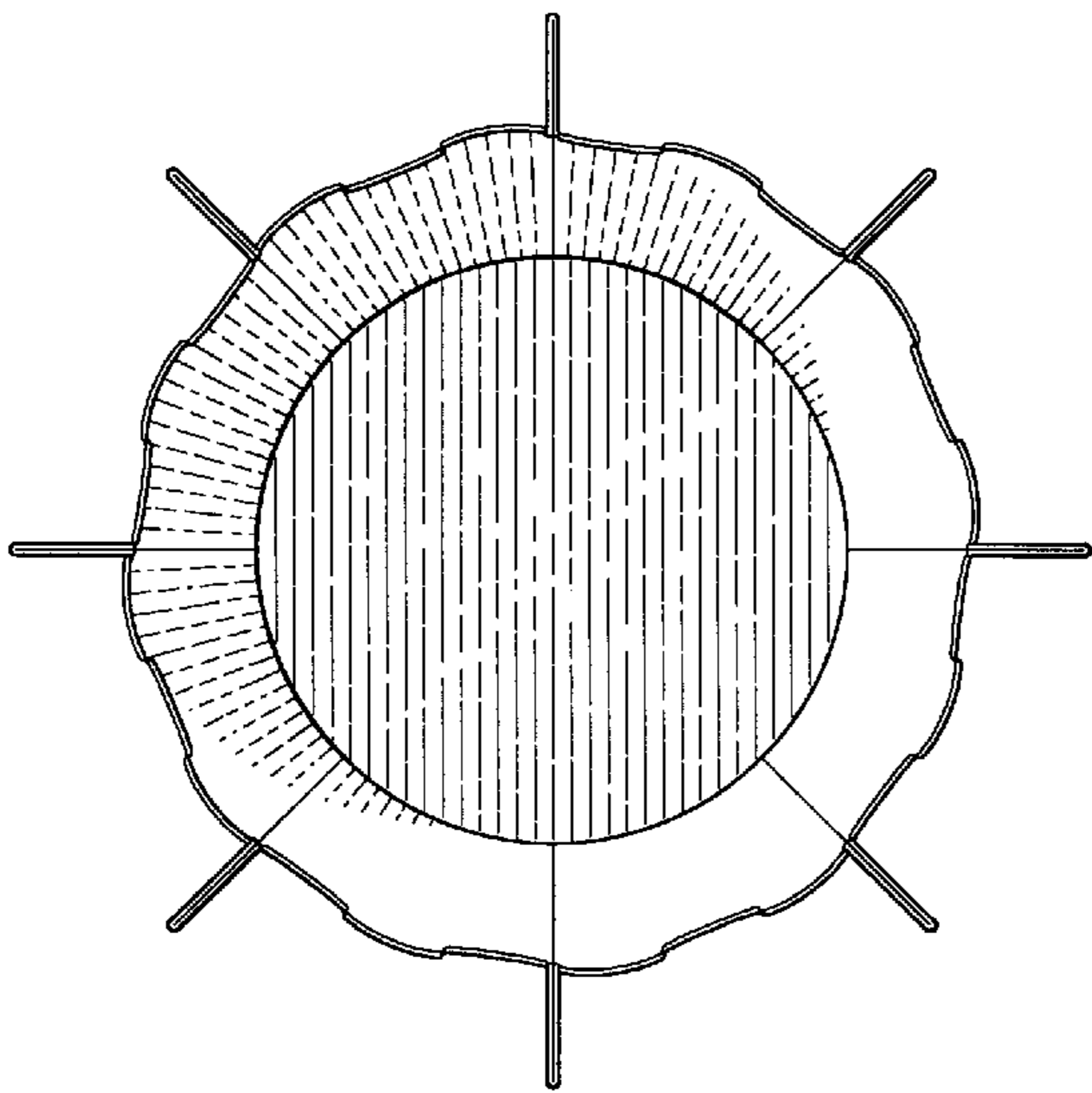


FIG. 11

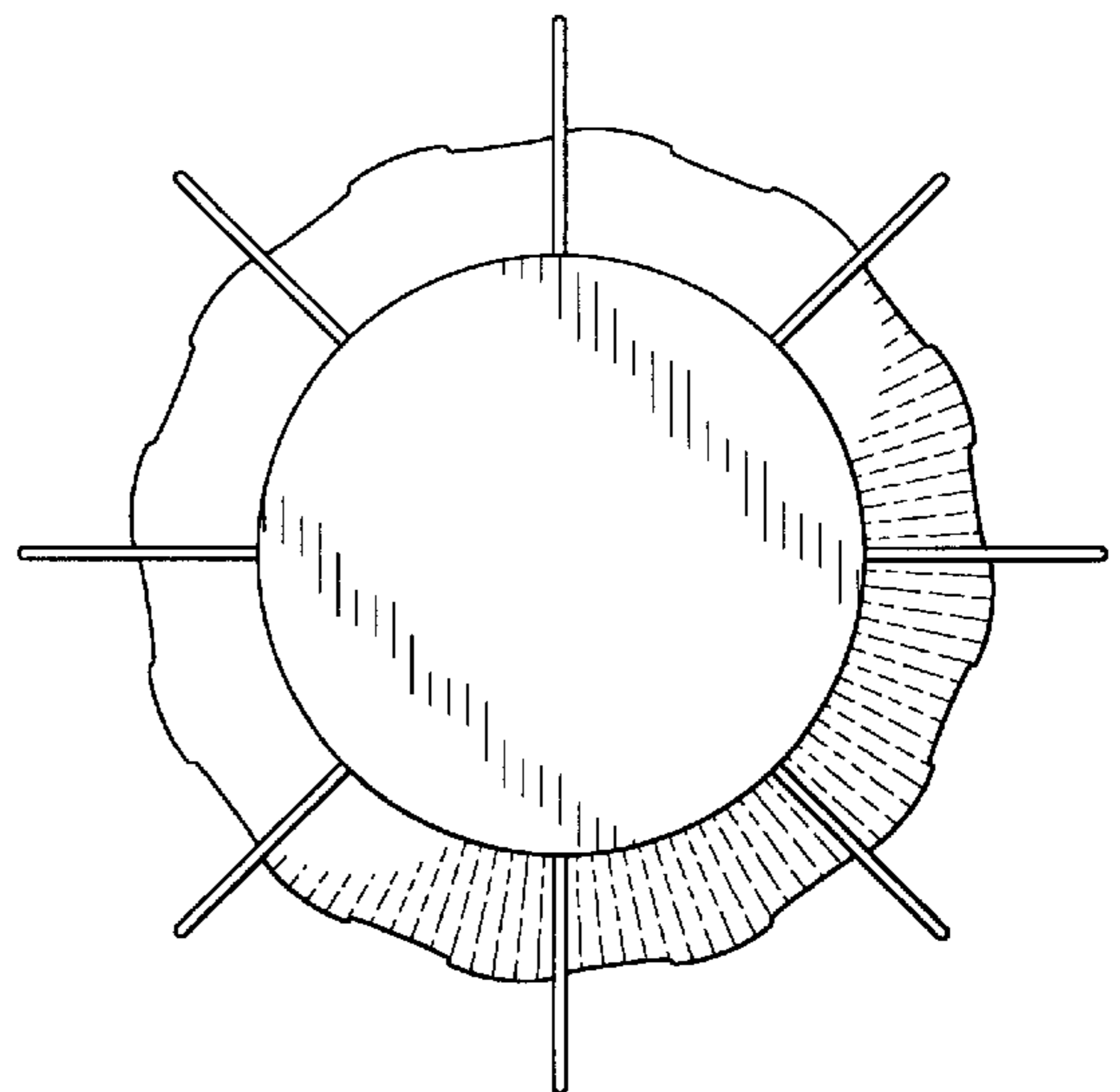


FIG. 12

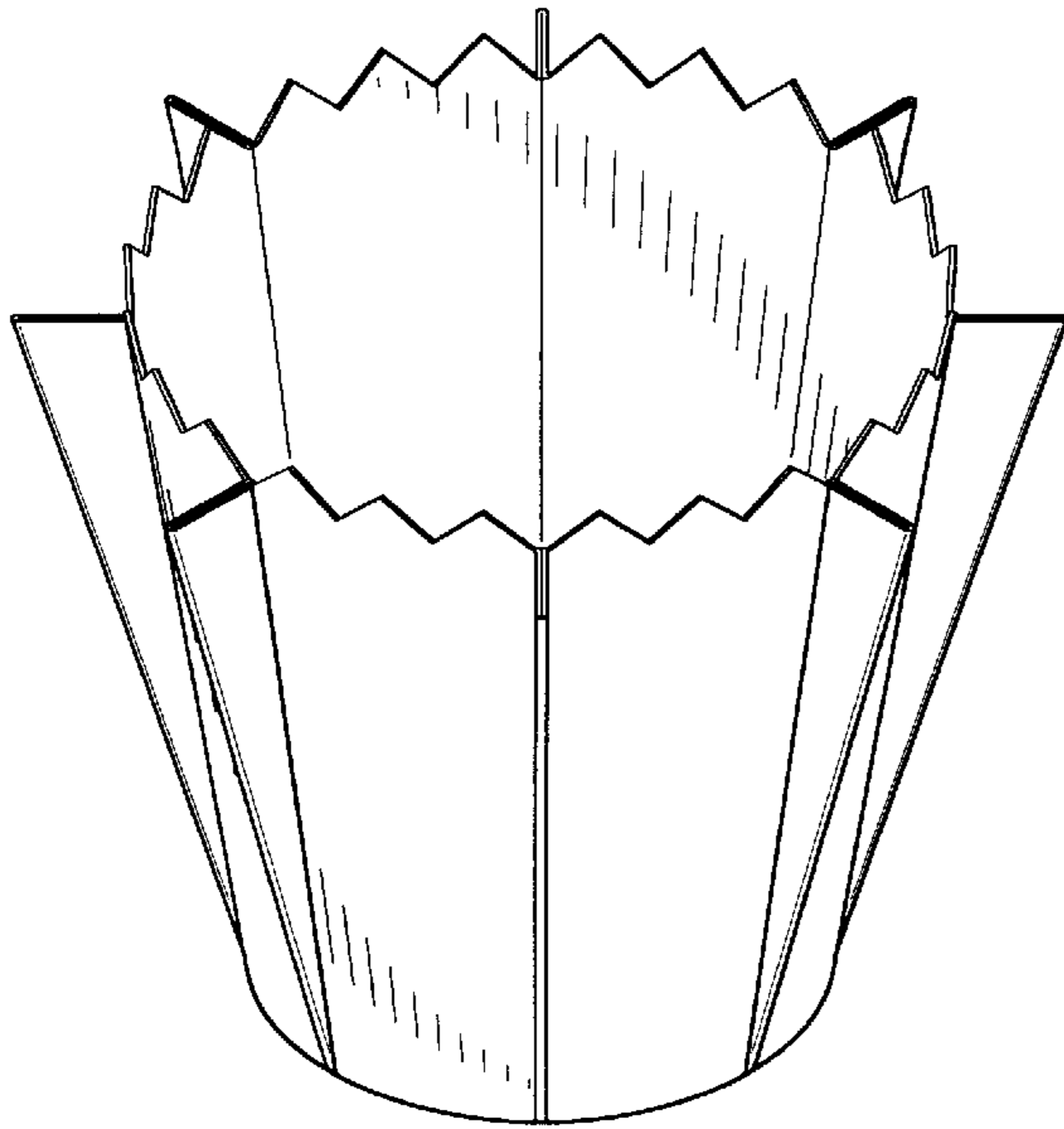


FIG. 13

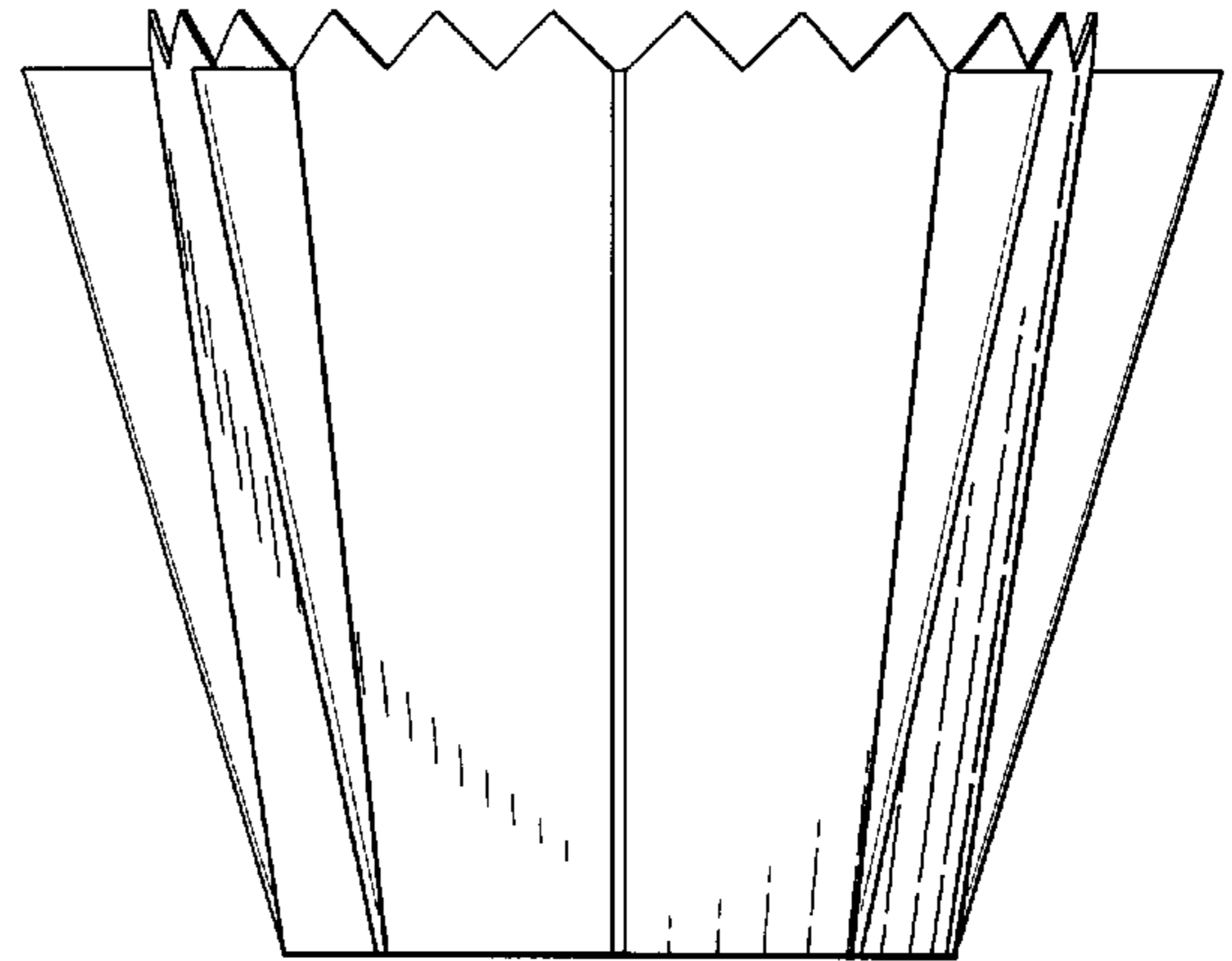


FIG. 14

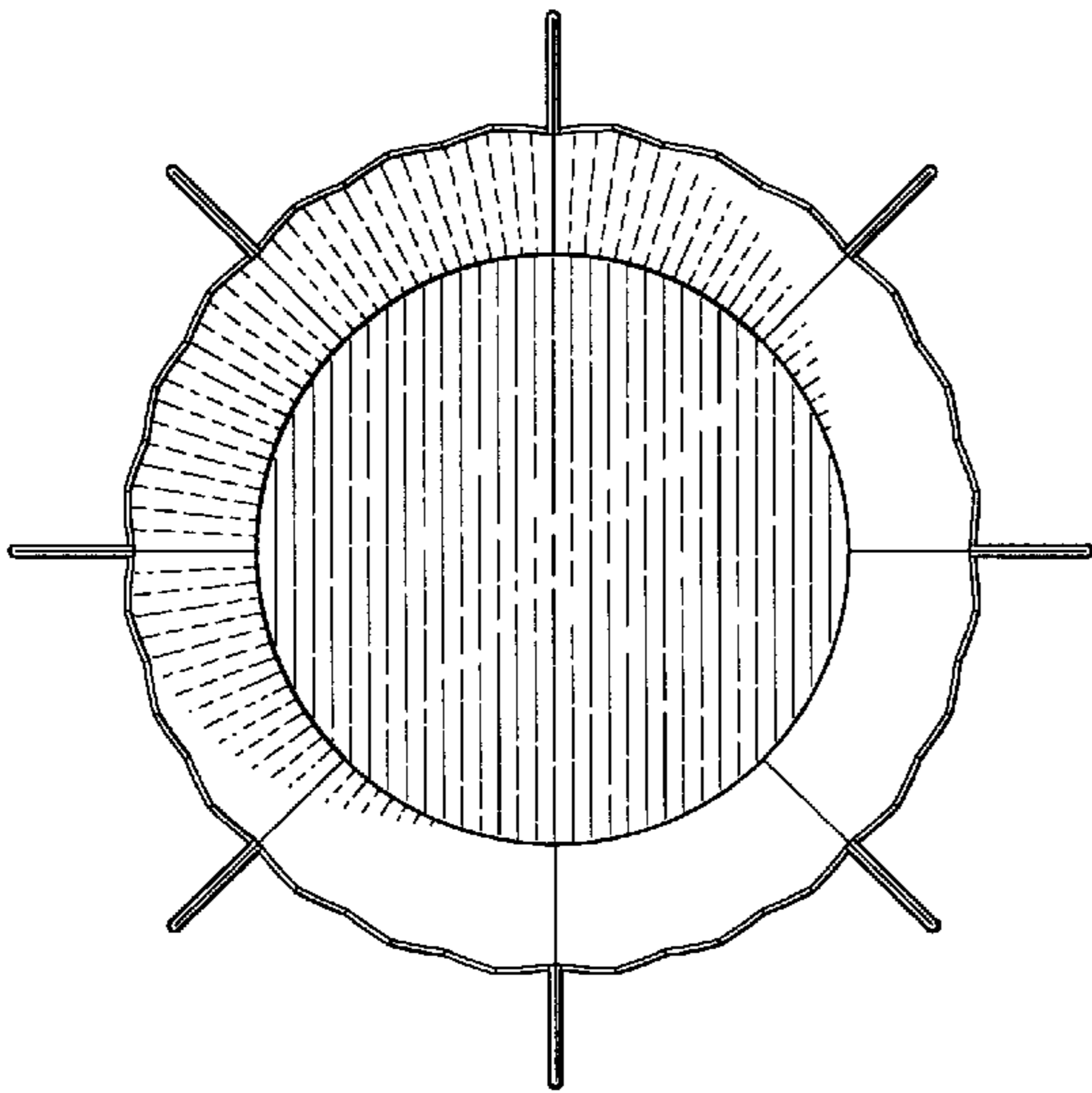


FIG. 15

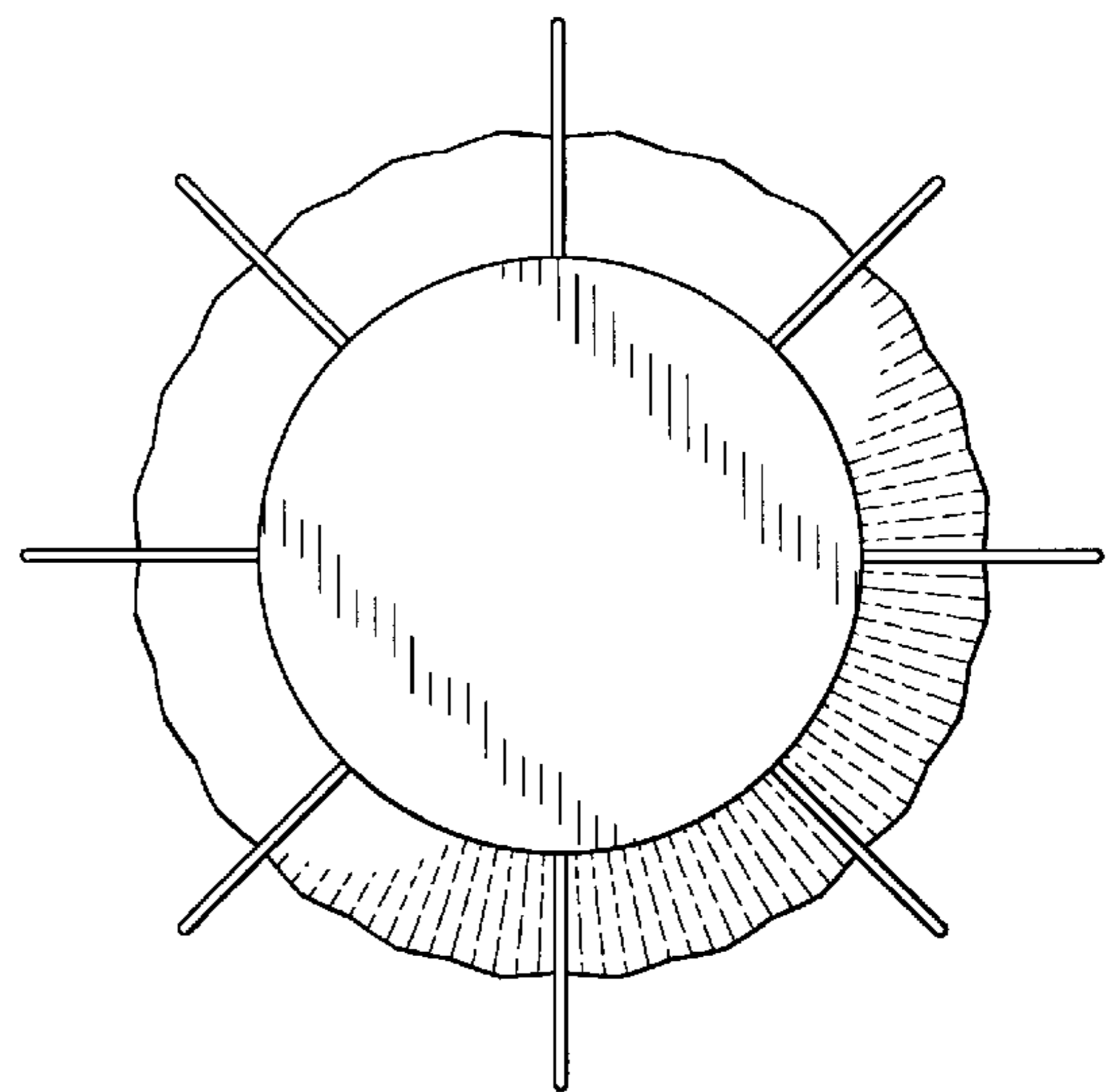


FIG. 16

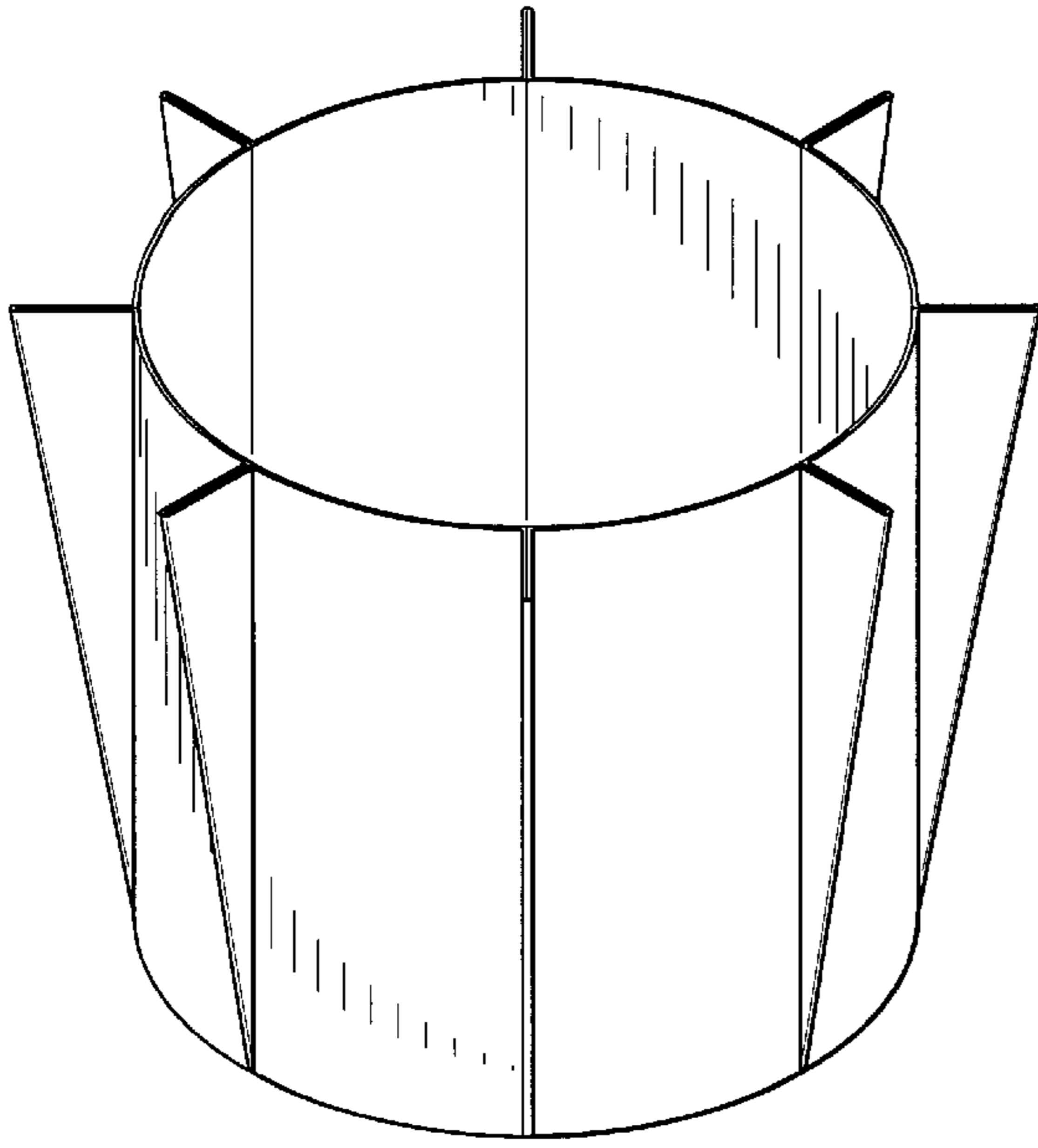


FIG. 17

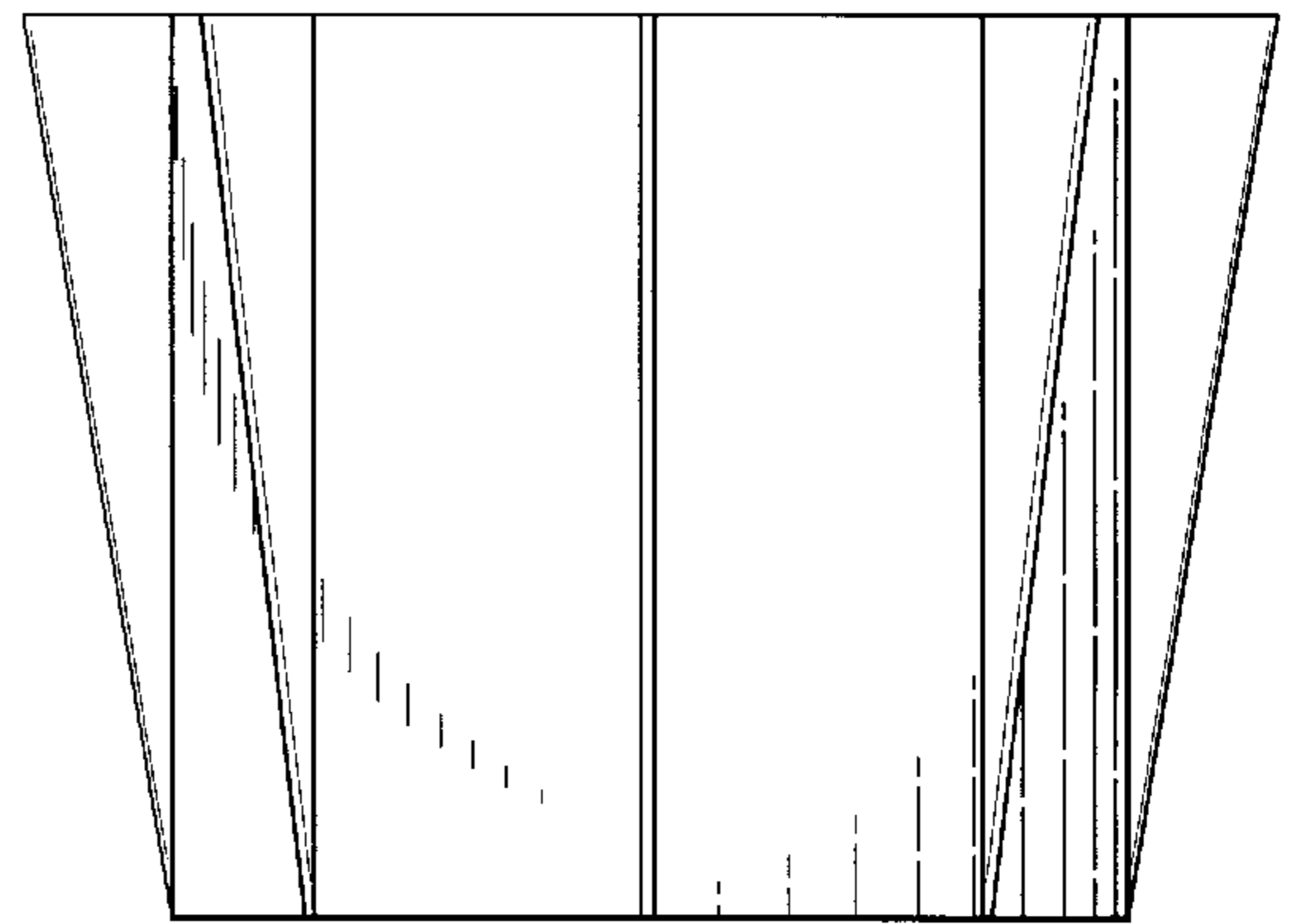


FIG. 18

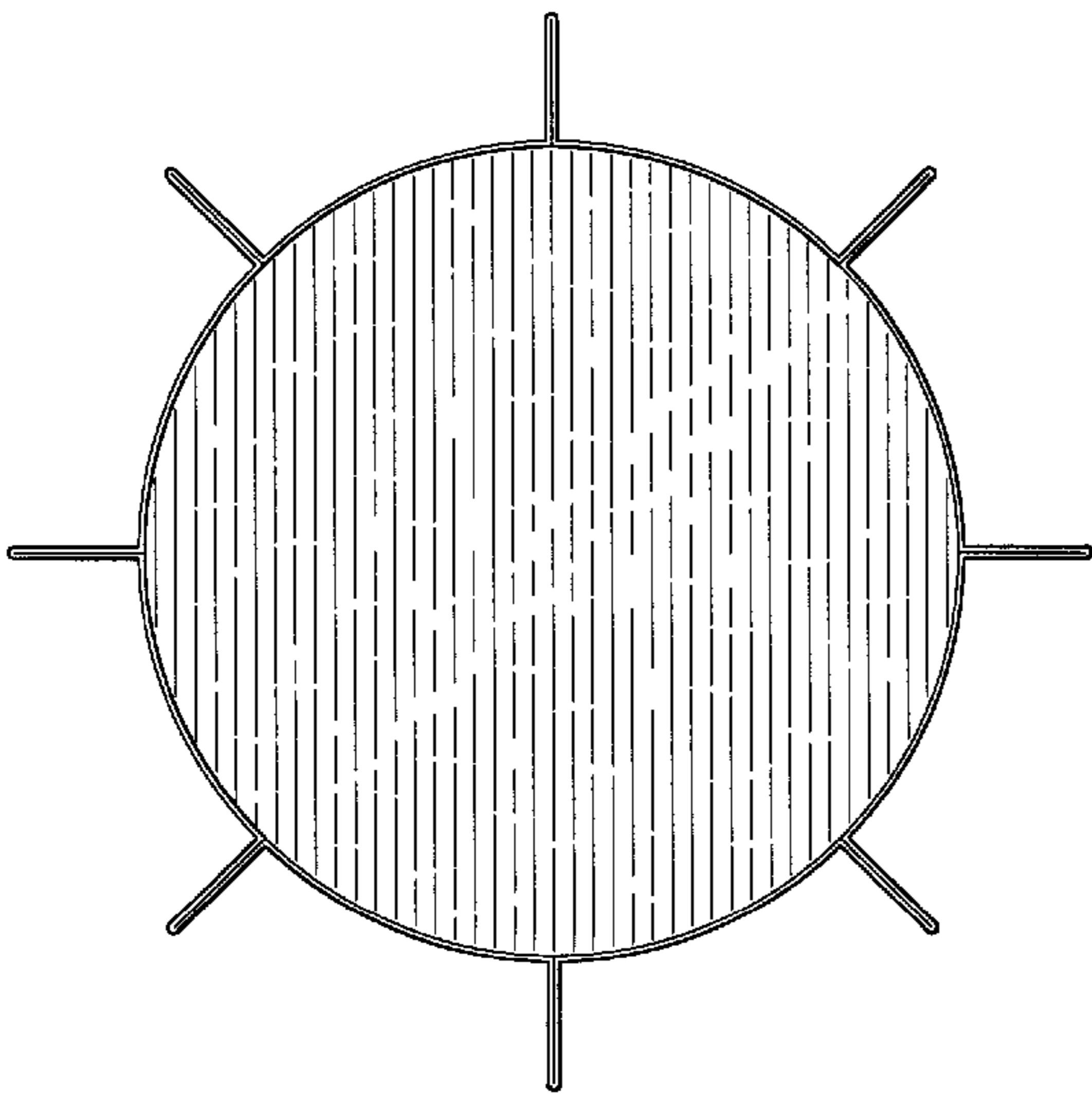


FIG. 19

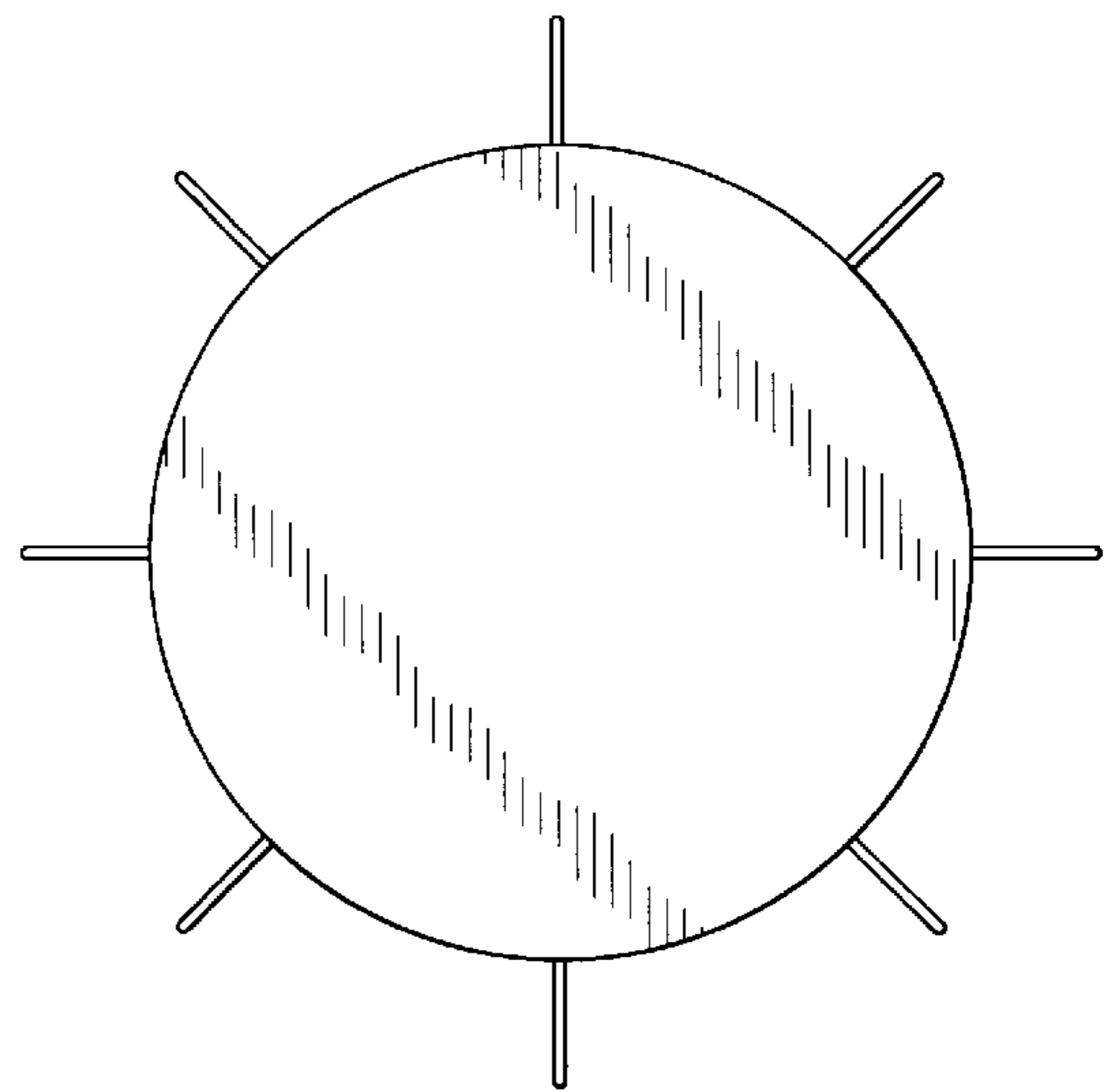


FIG. 20

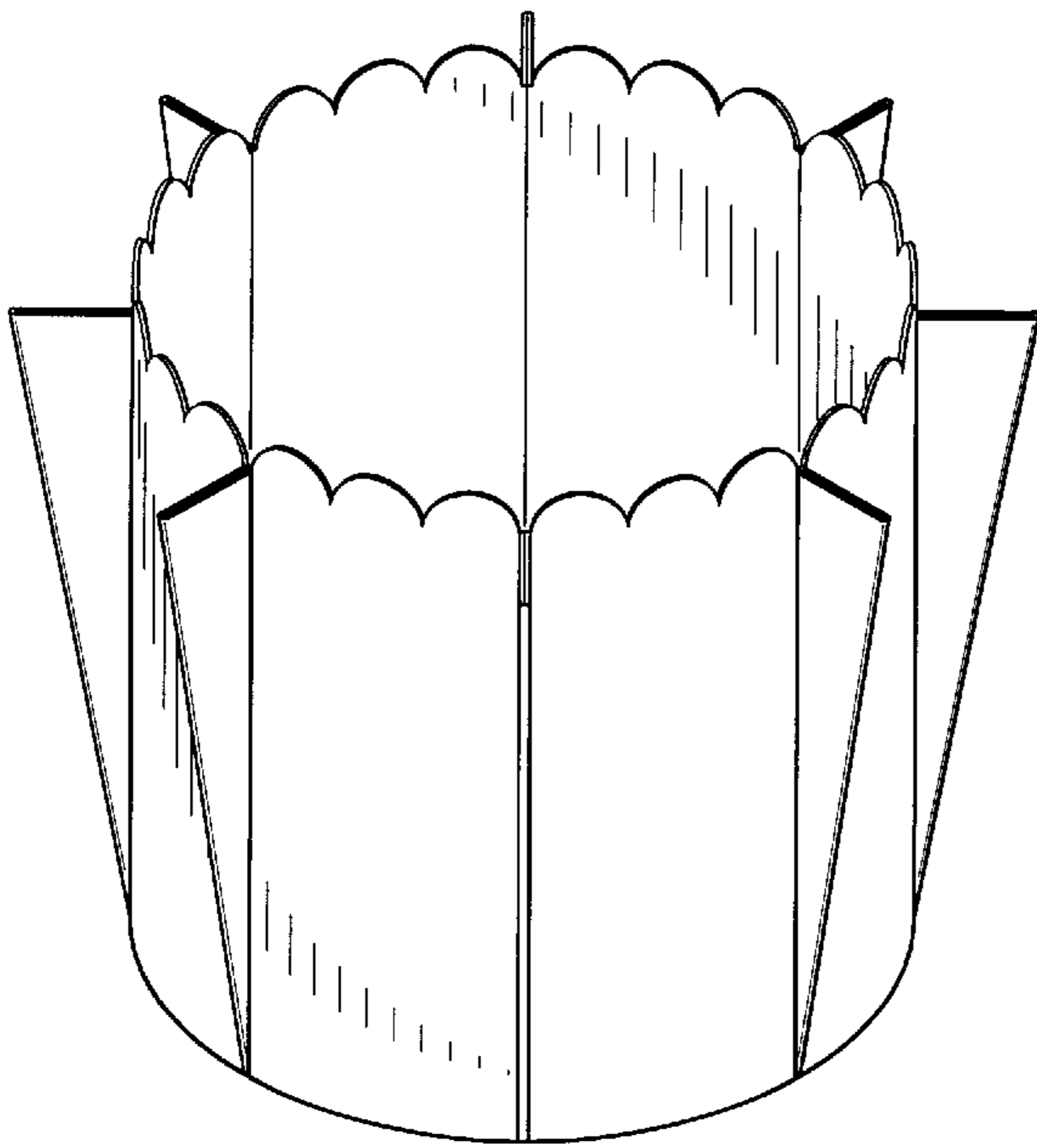


FIG. 21

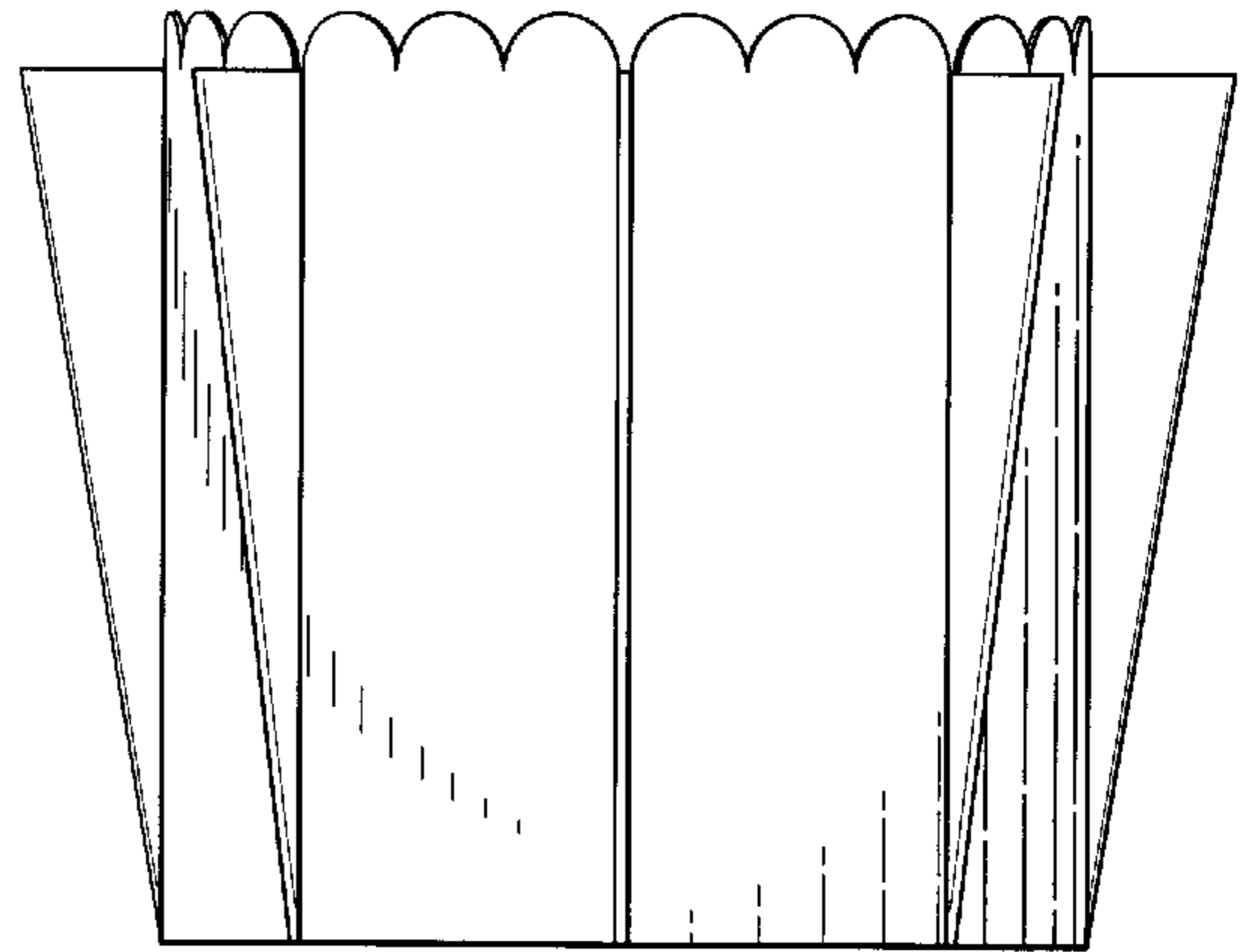


FIG. 22

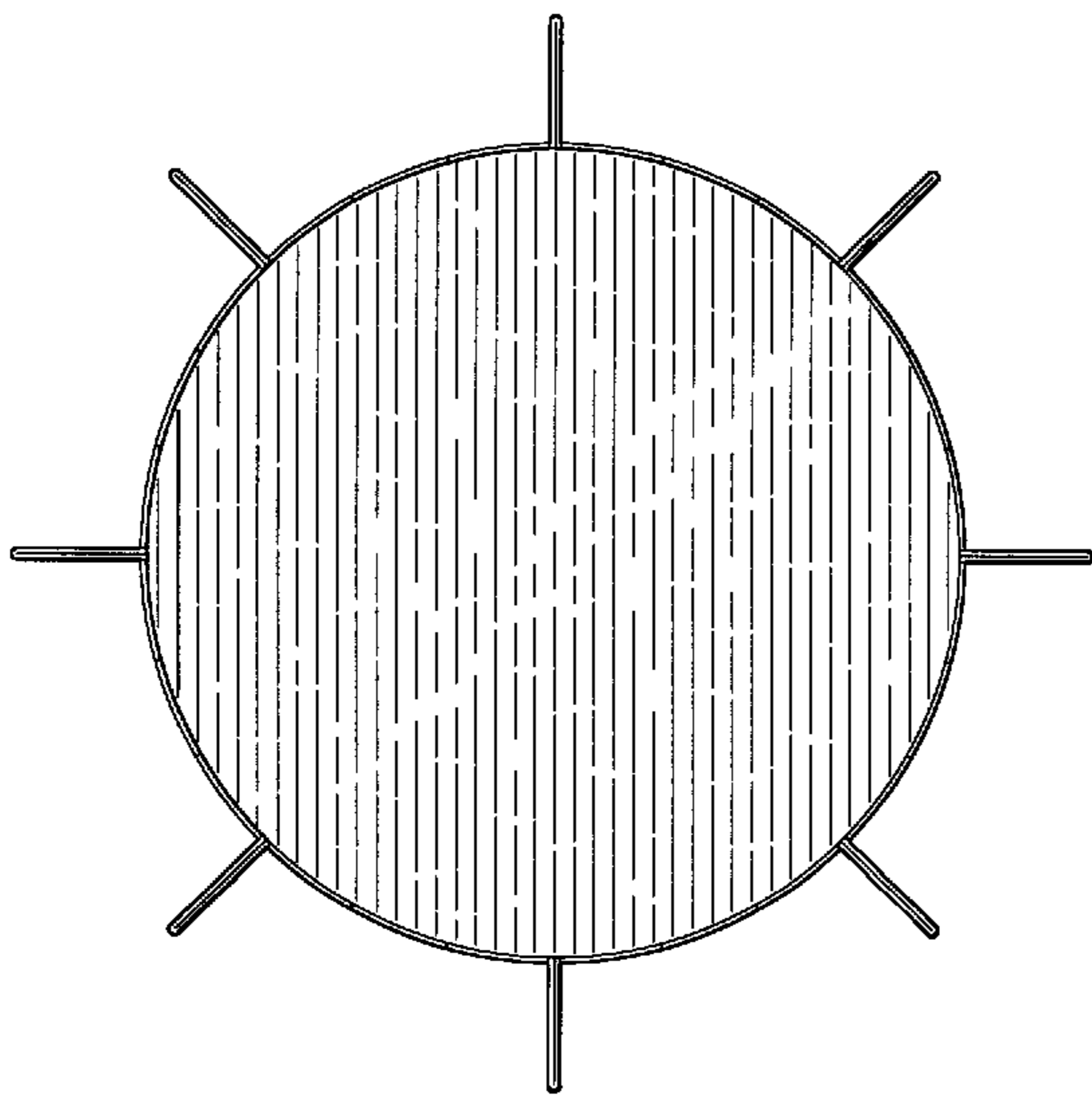


FIG. 23

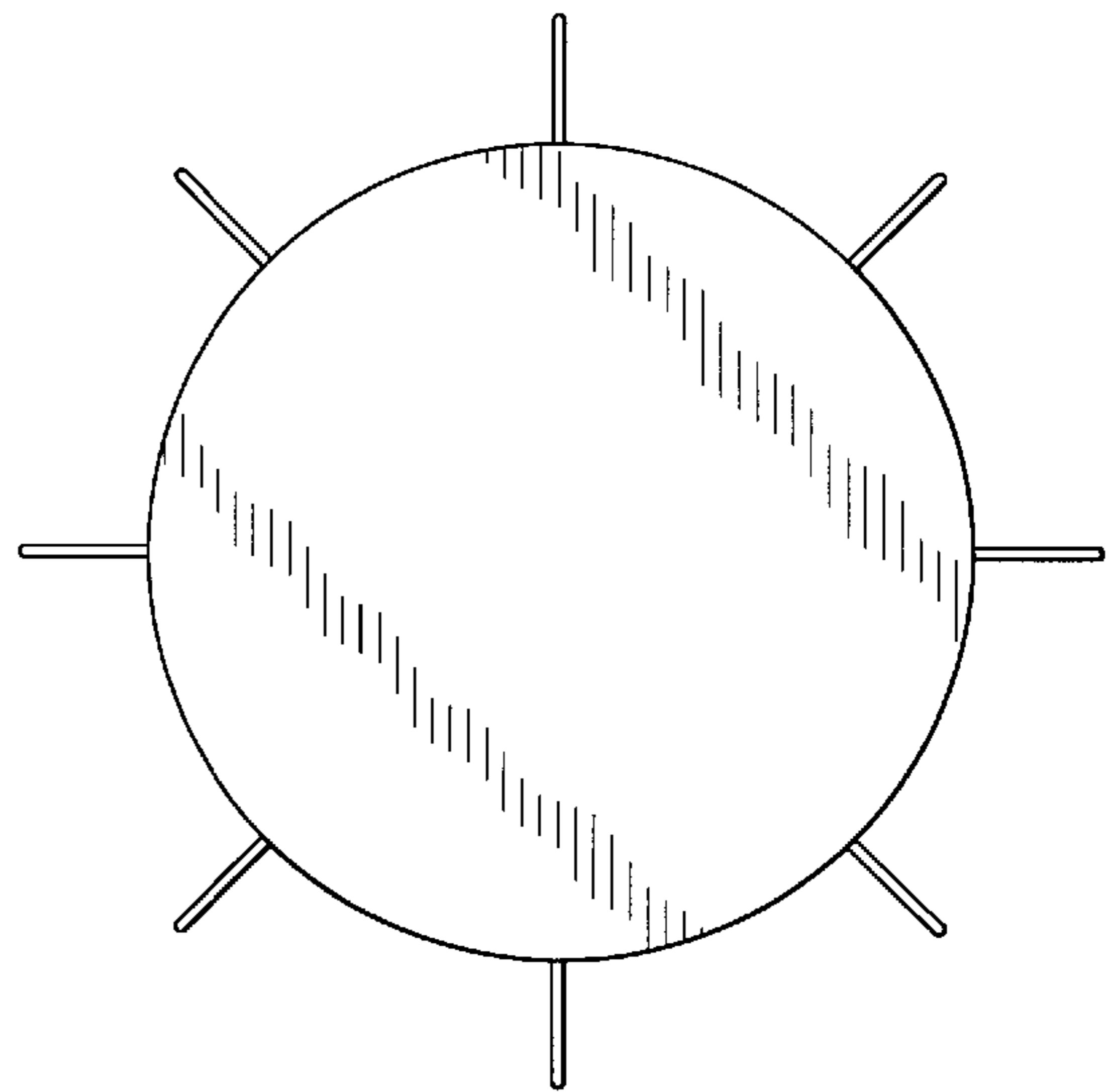


FIG. 24

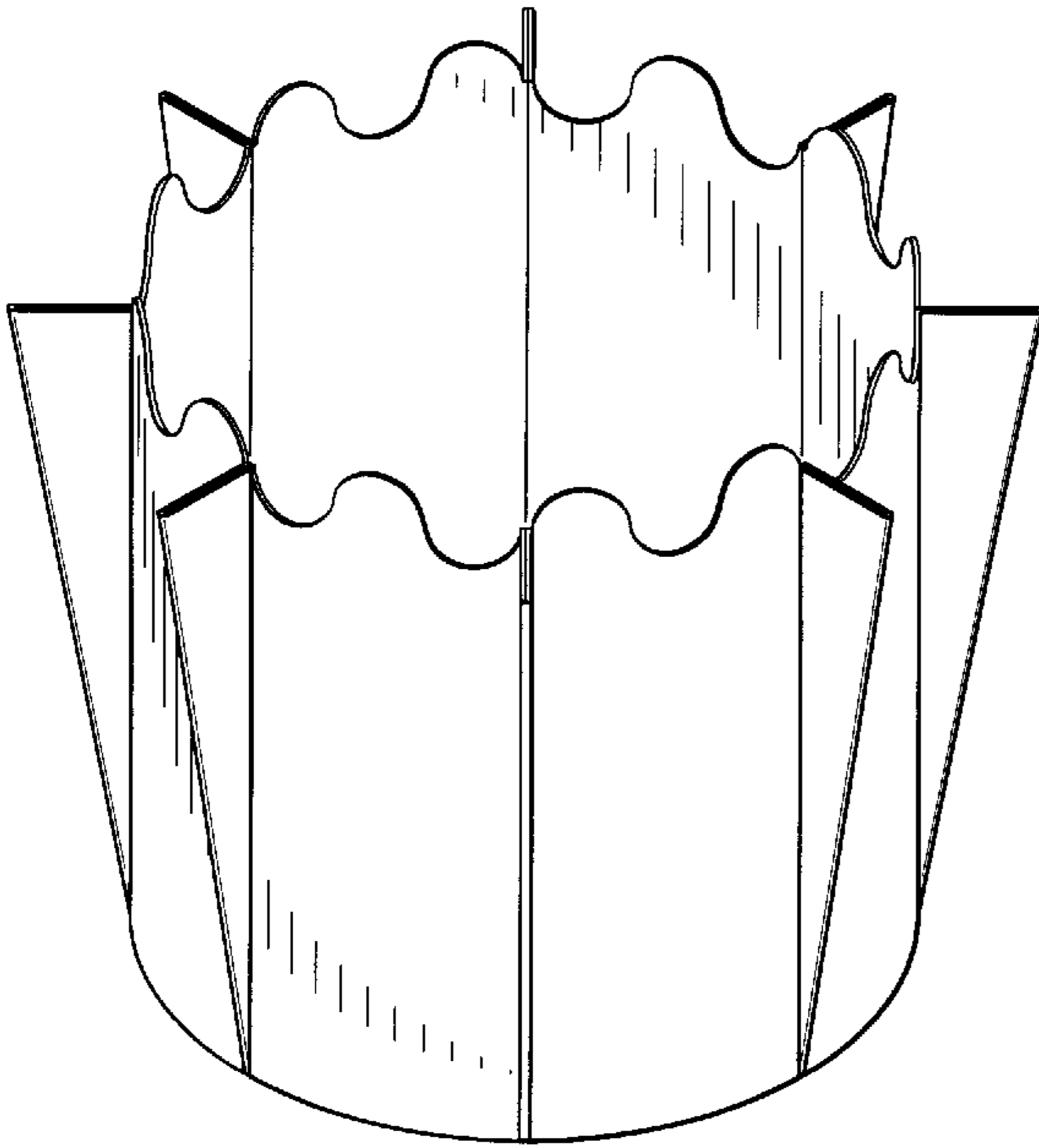


FIG. 25

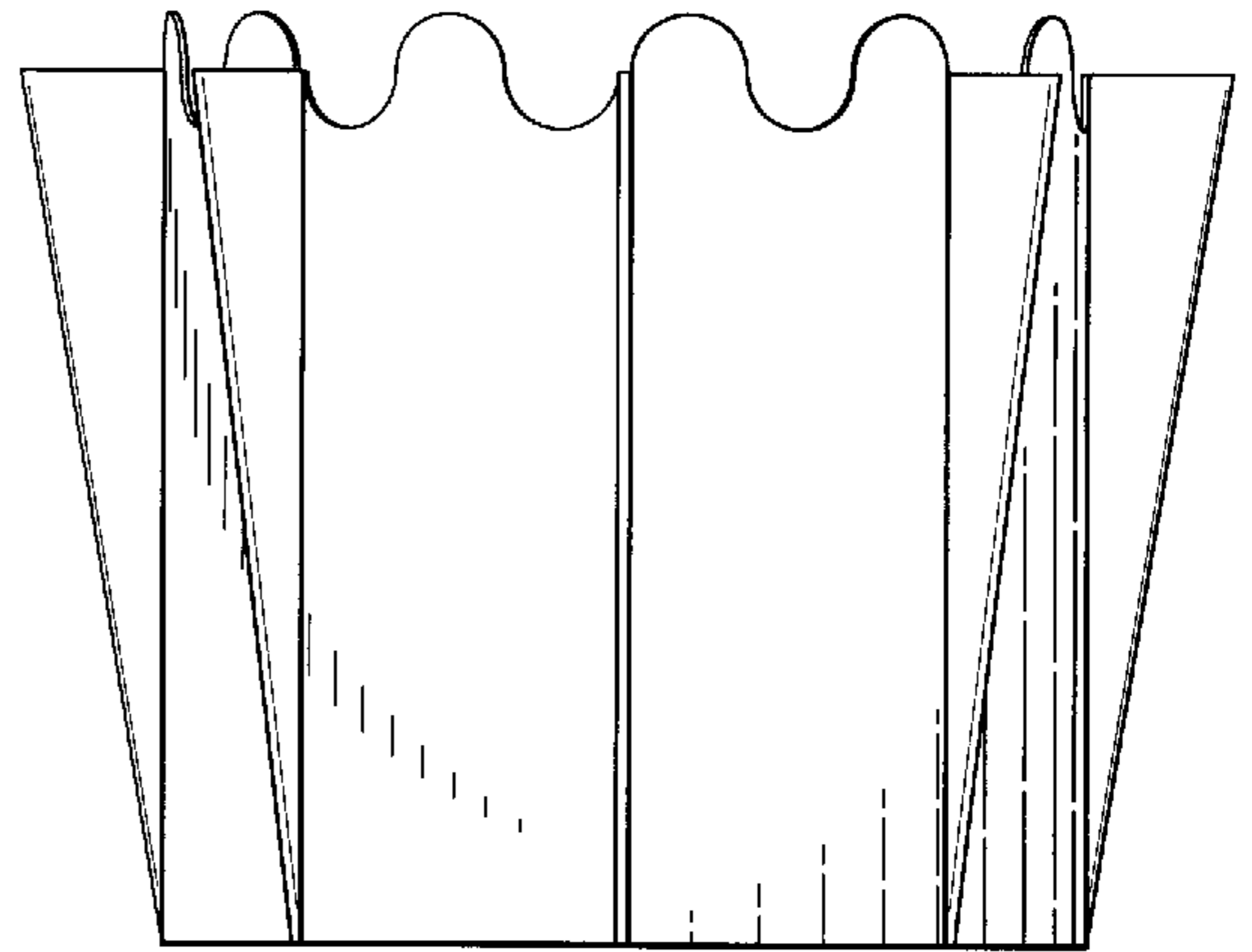


FIG. 26

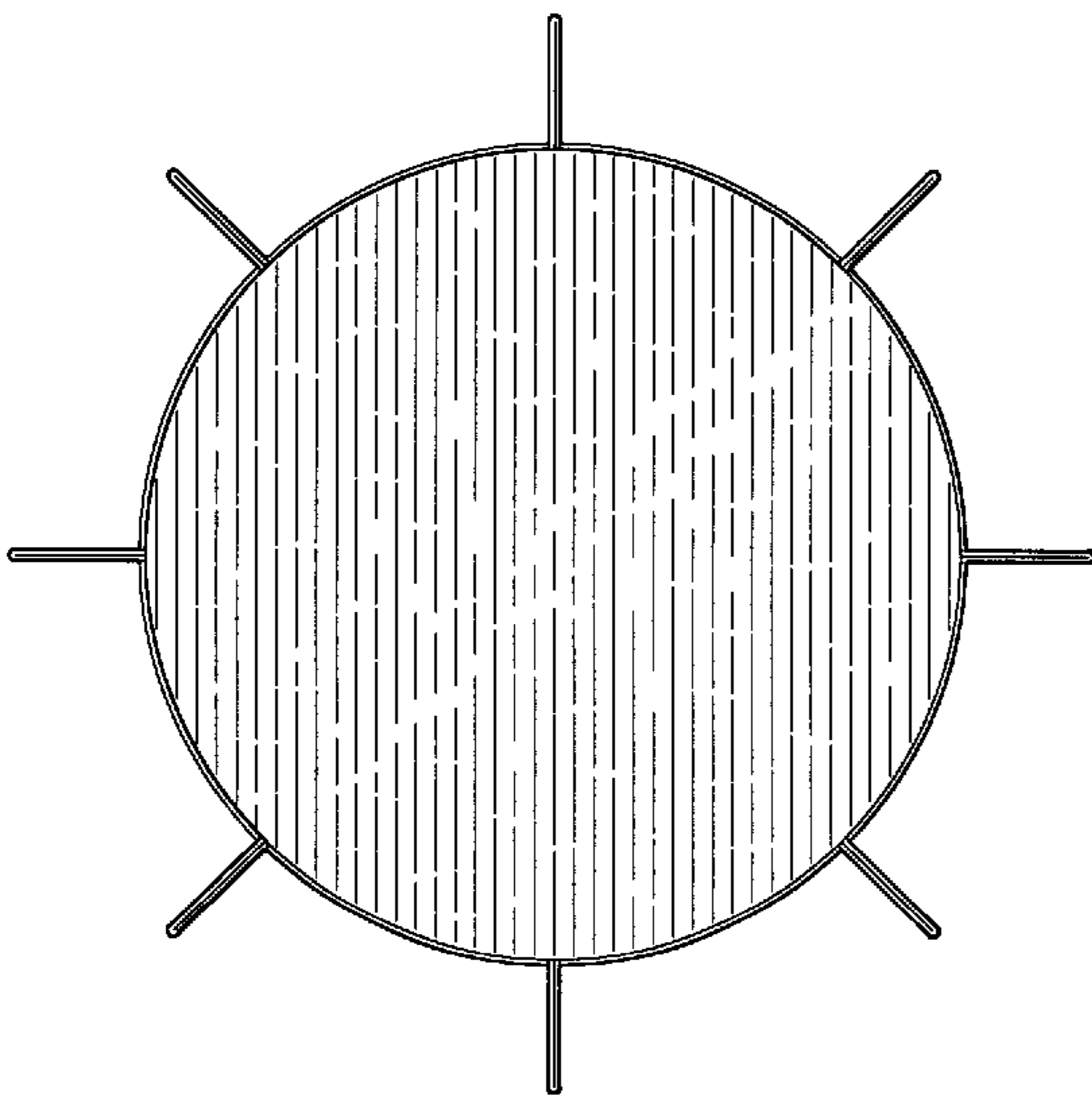


FIG. 27

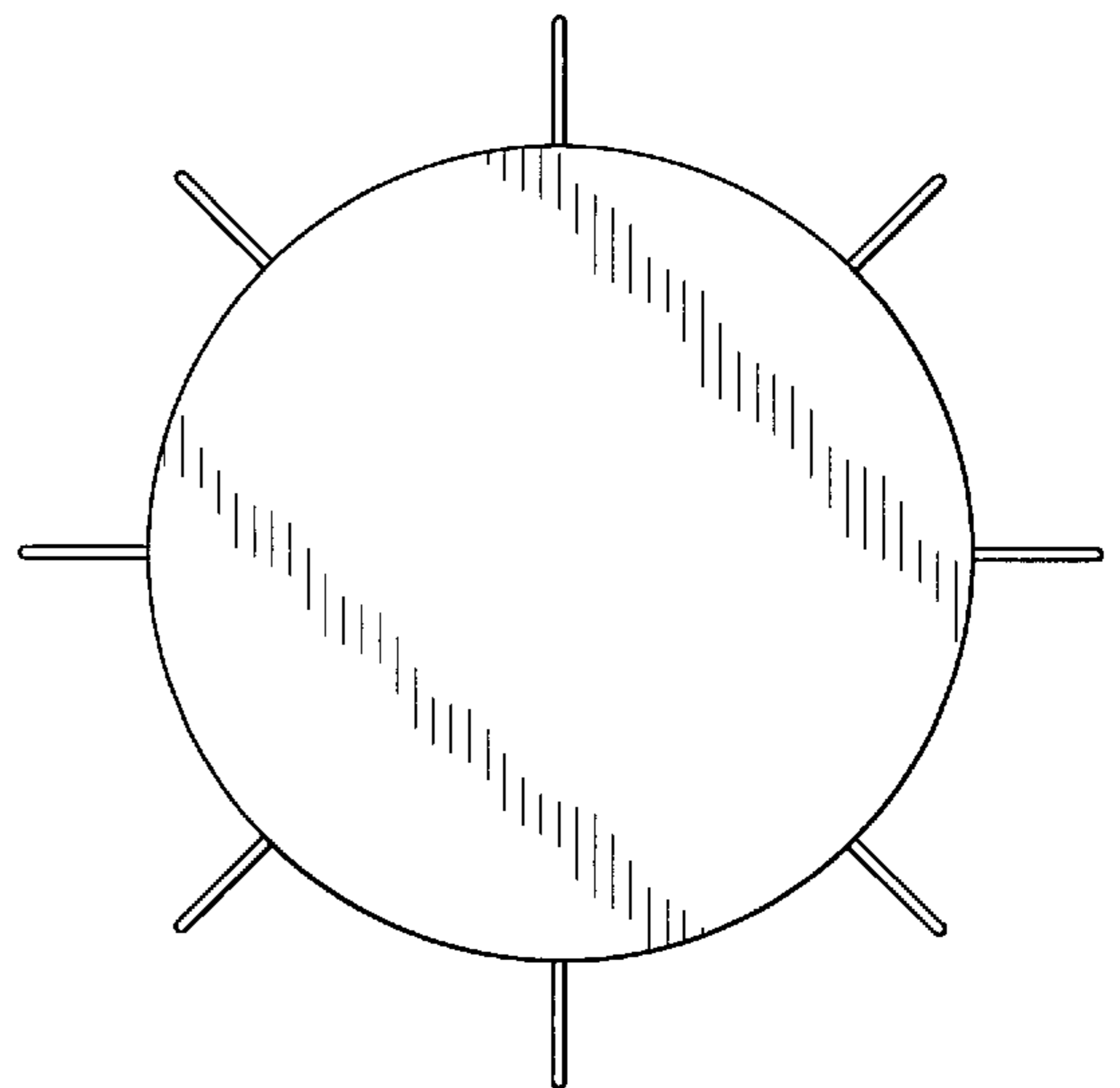


FIG. 28

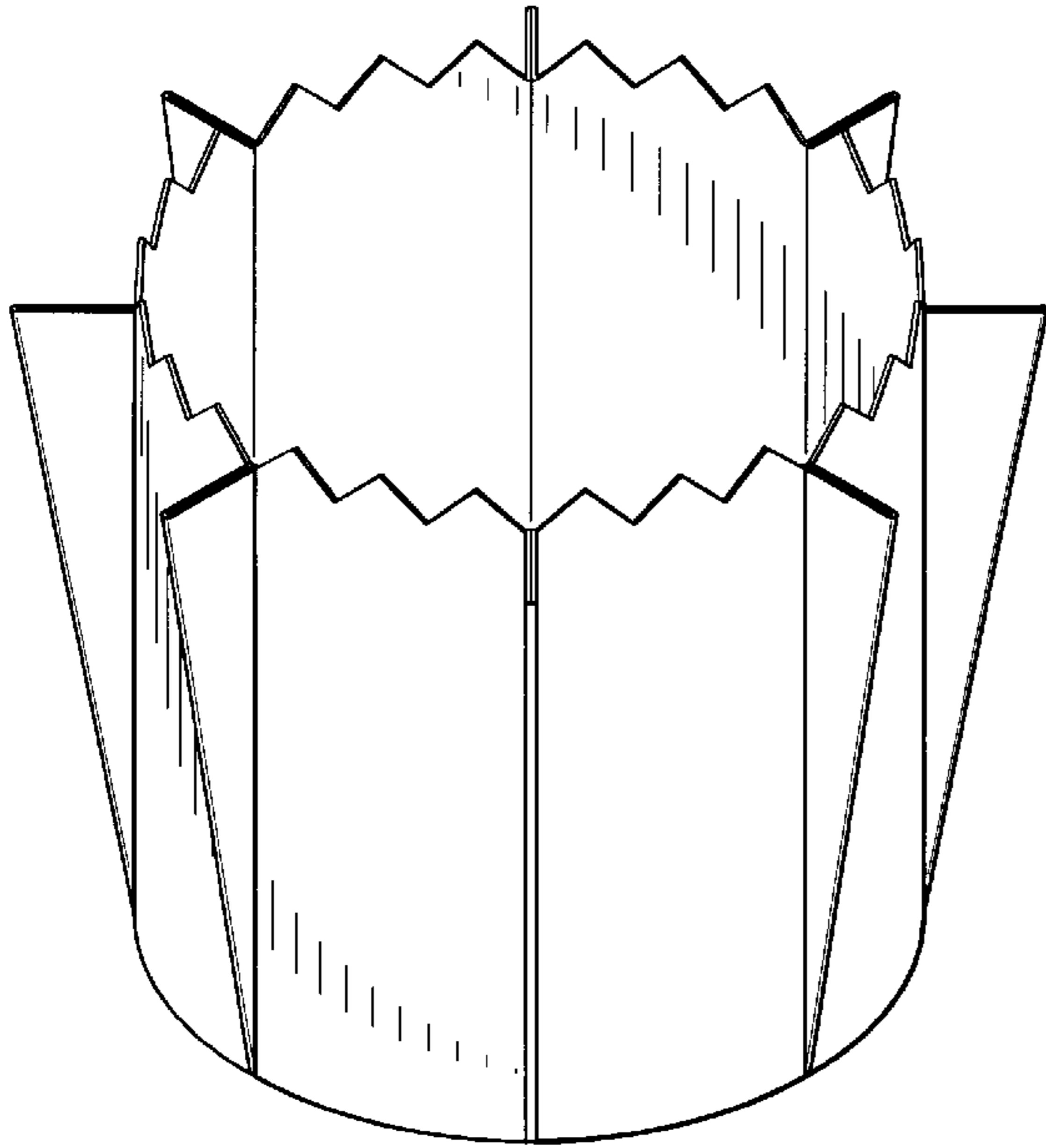


FIG. 28

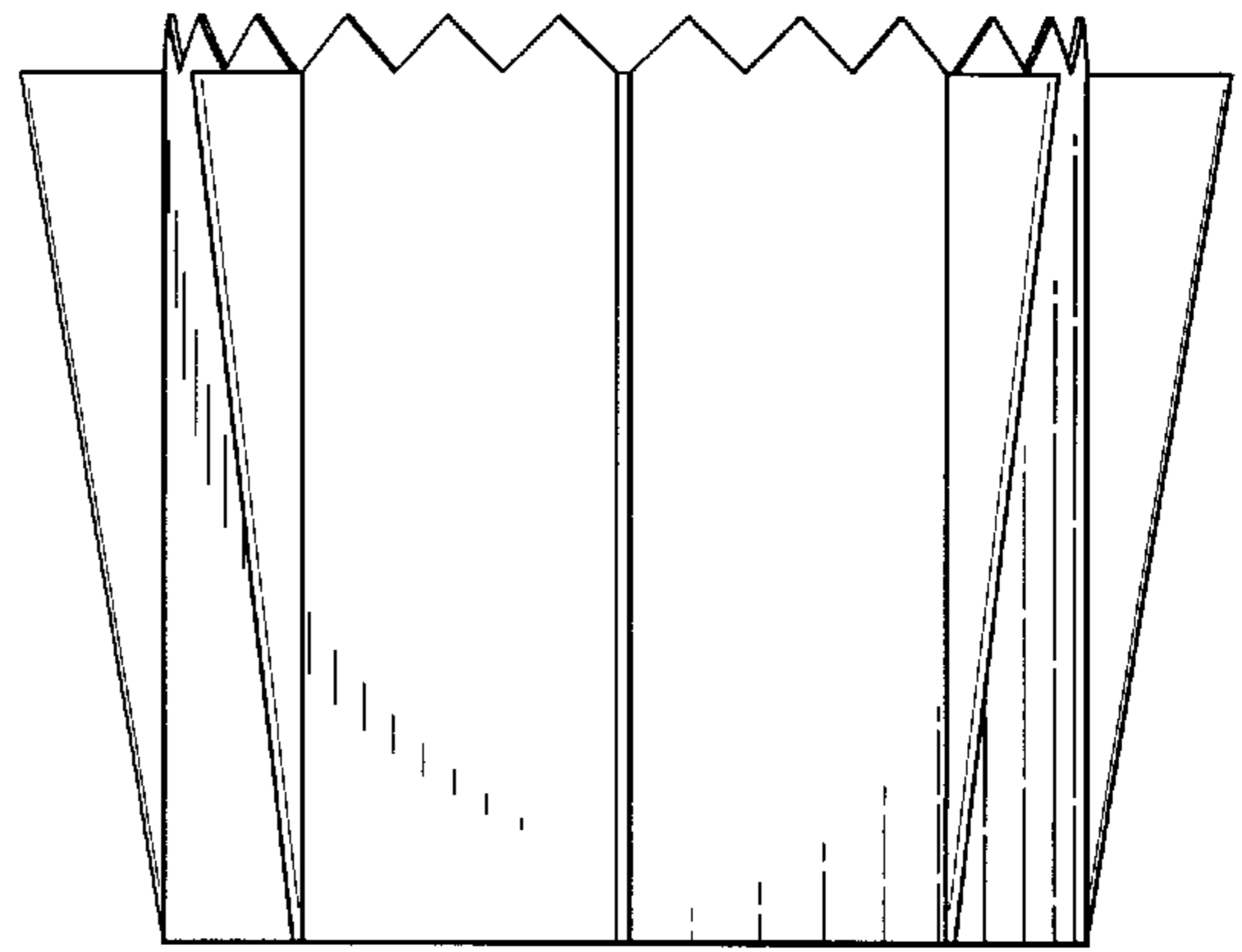


FIG. 30

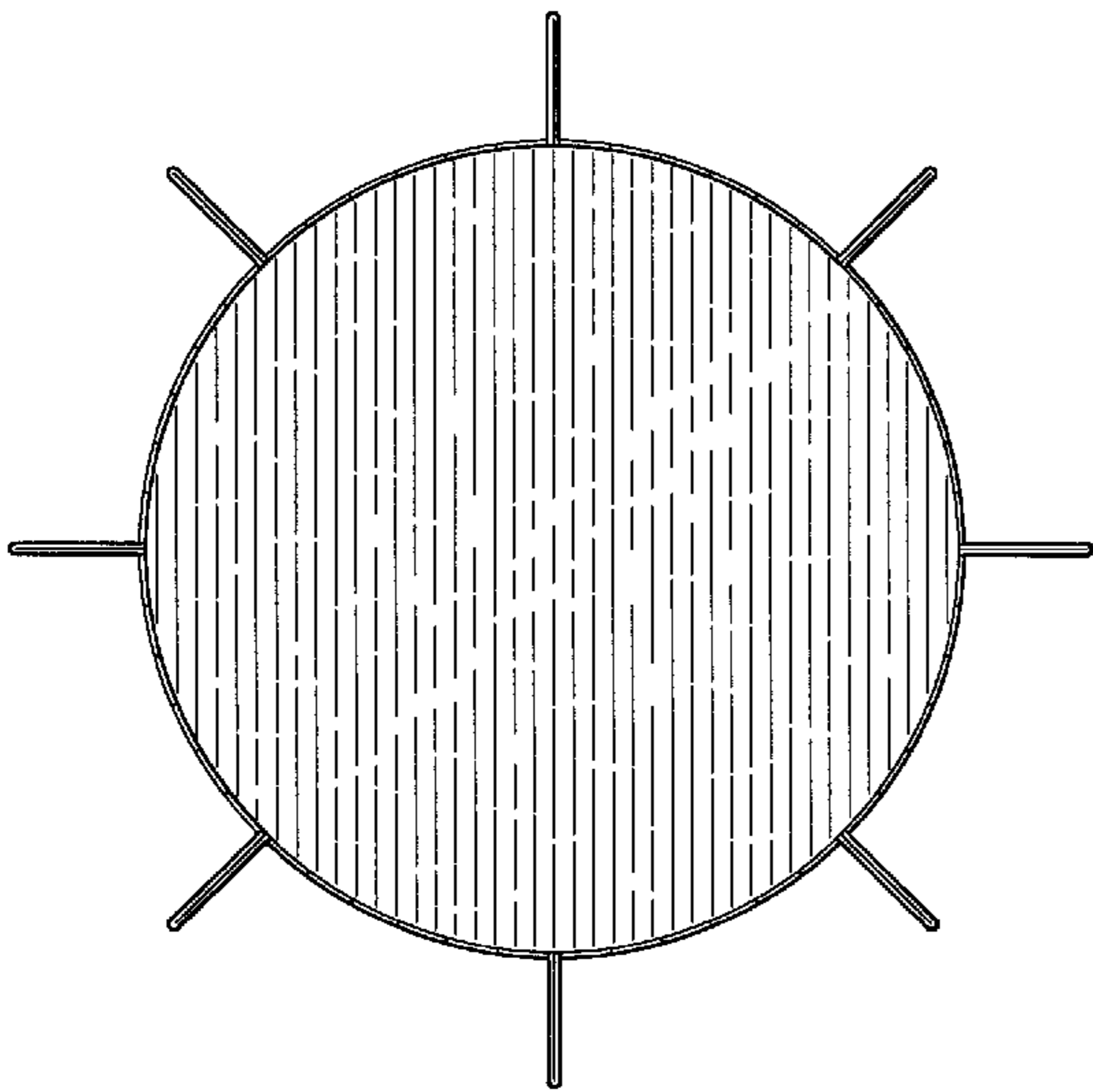


FIG. 31

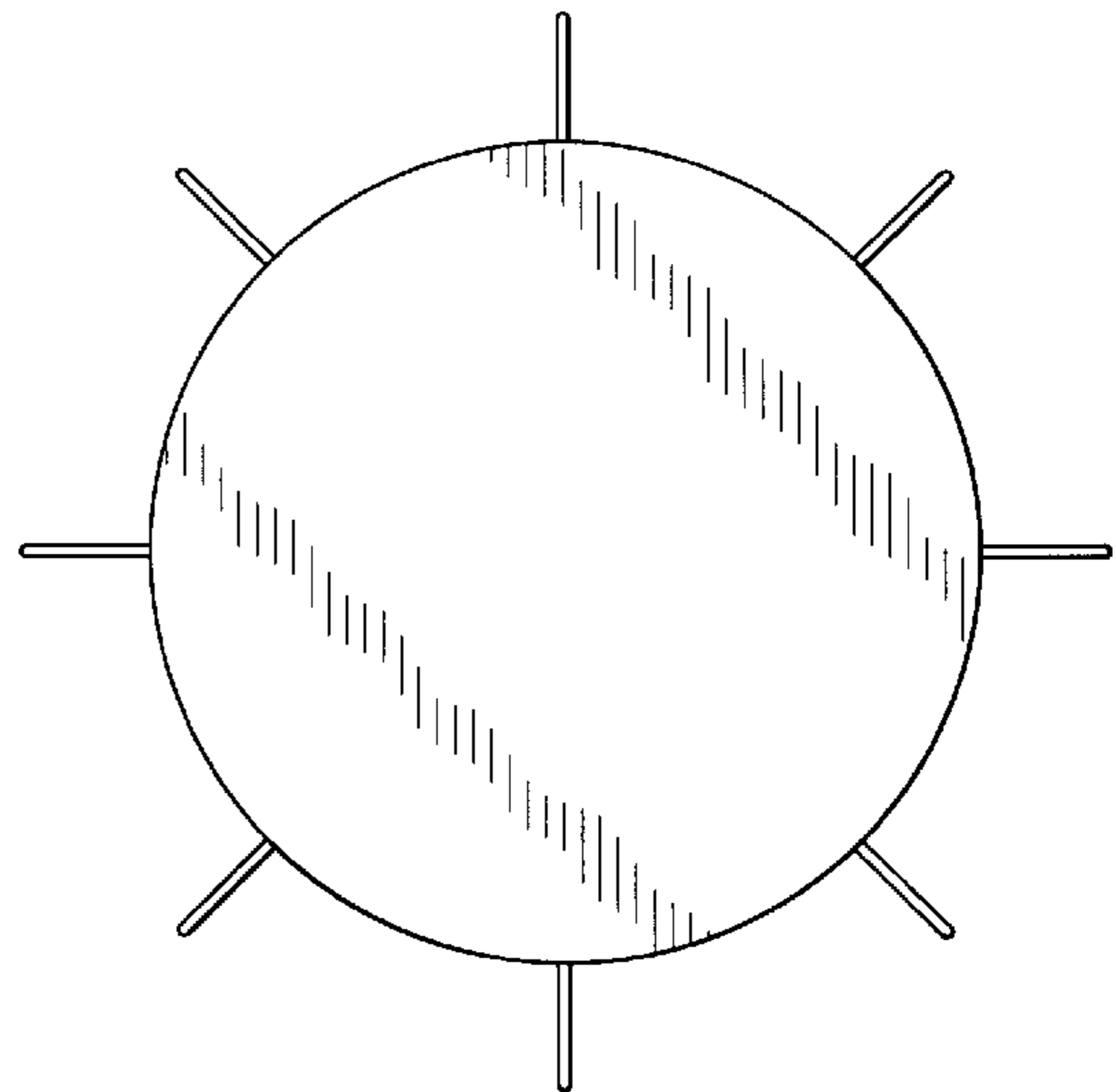


FIG. 32

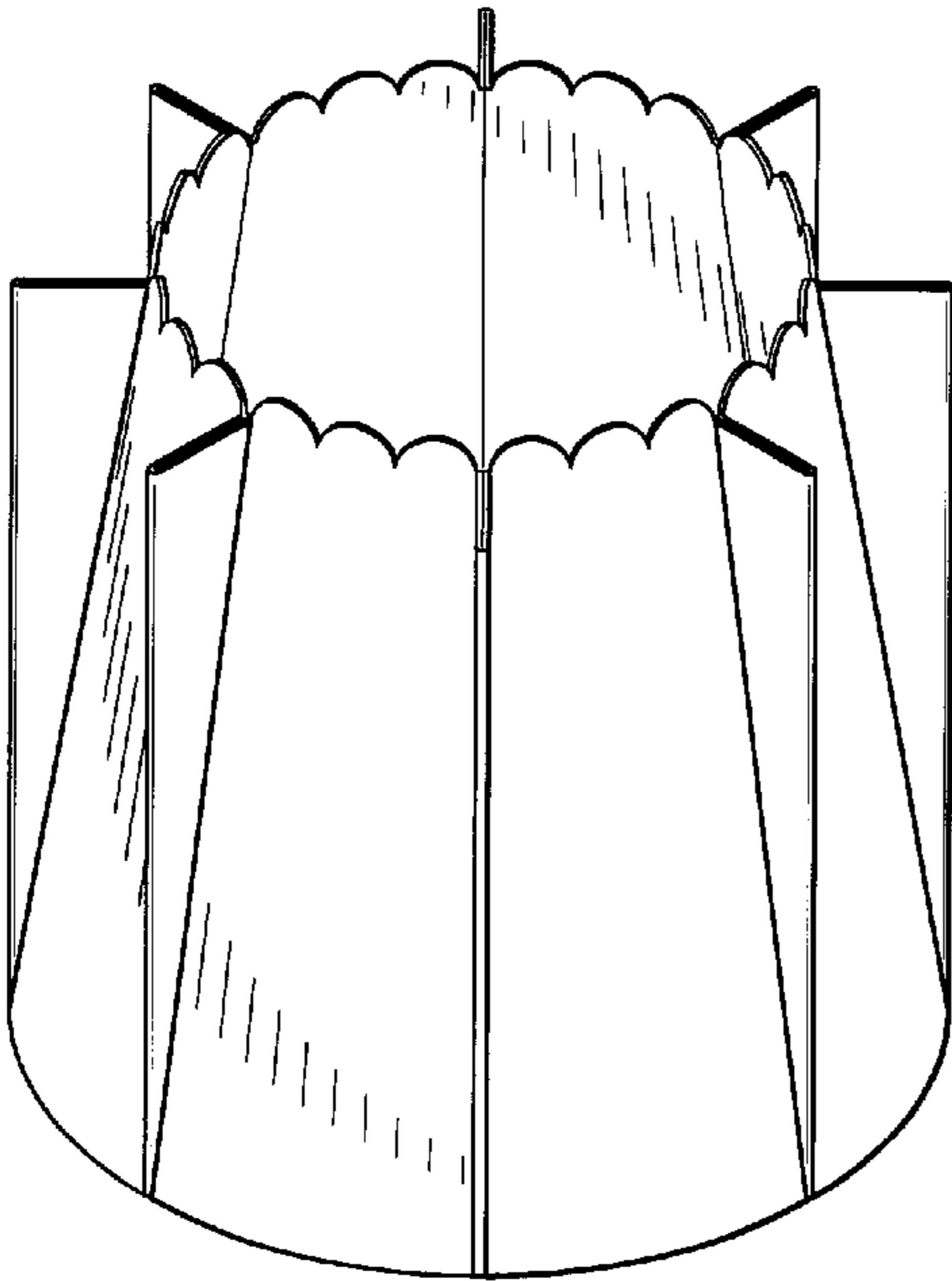


FIG. 33

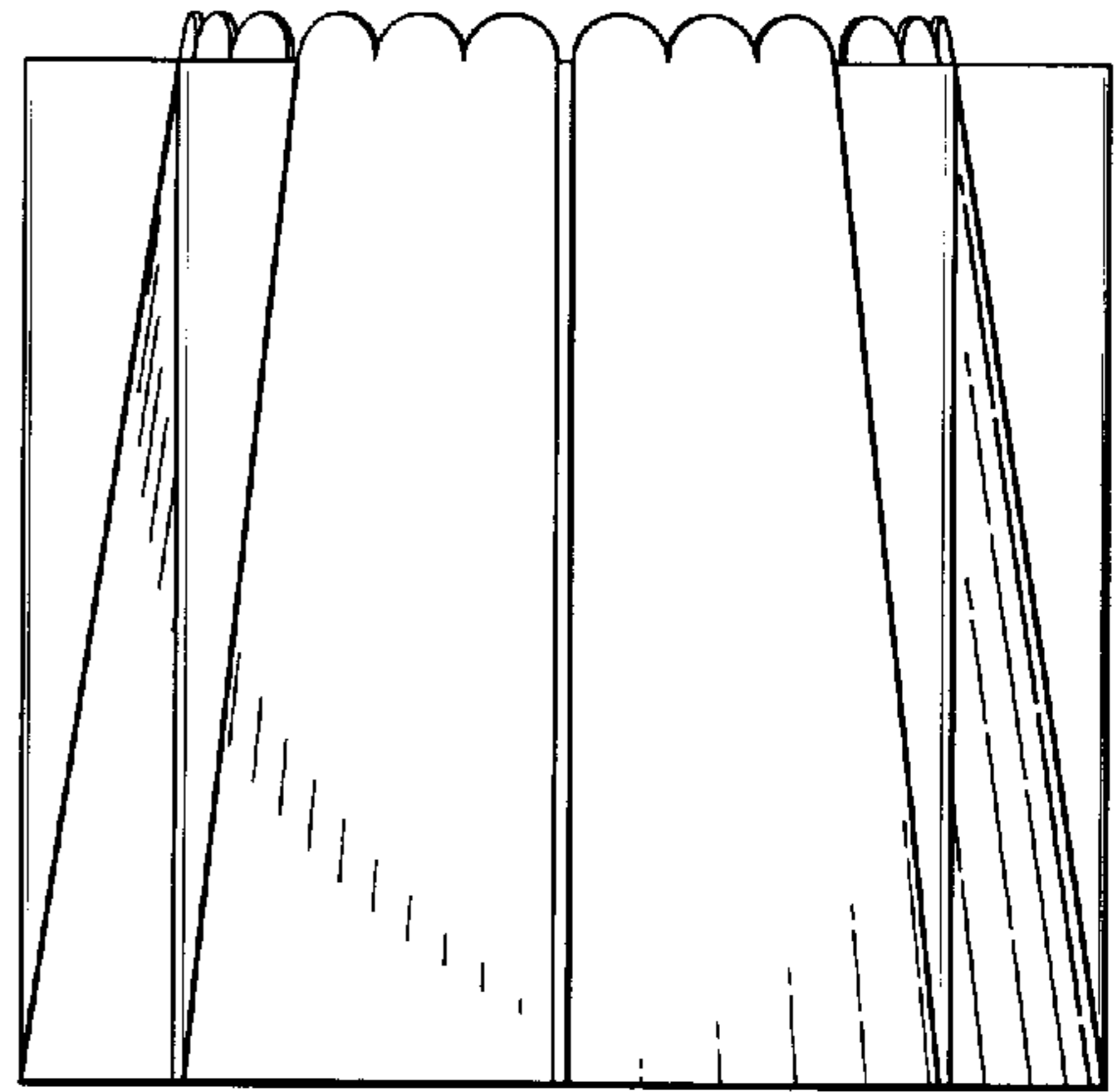


FIG. 34

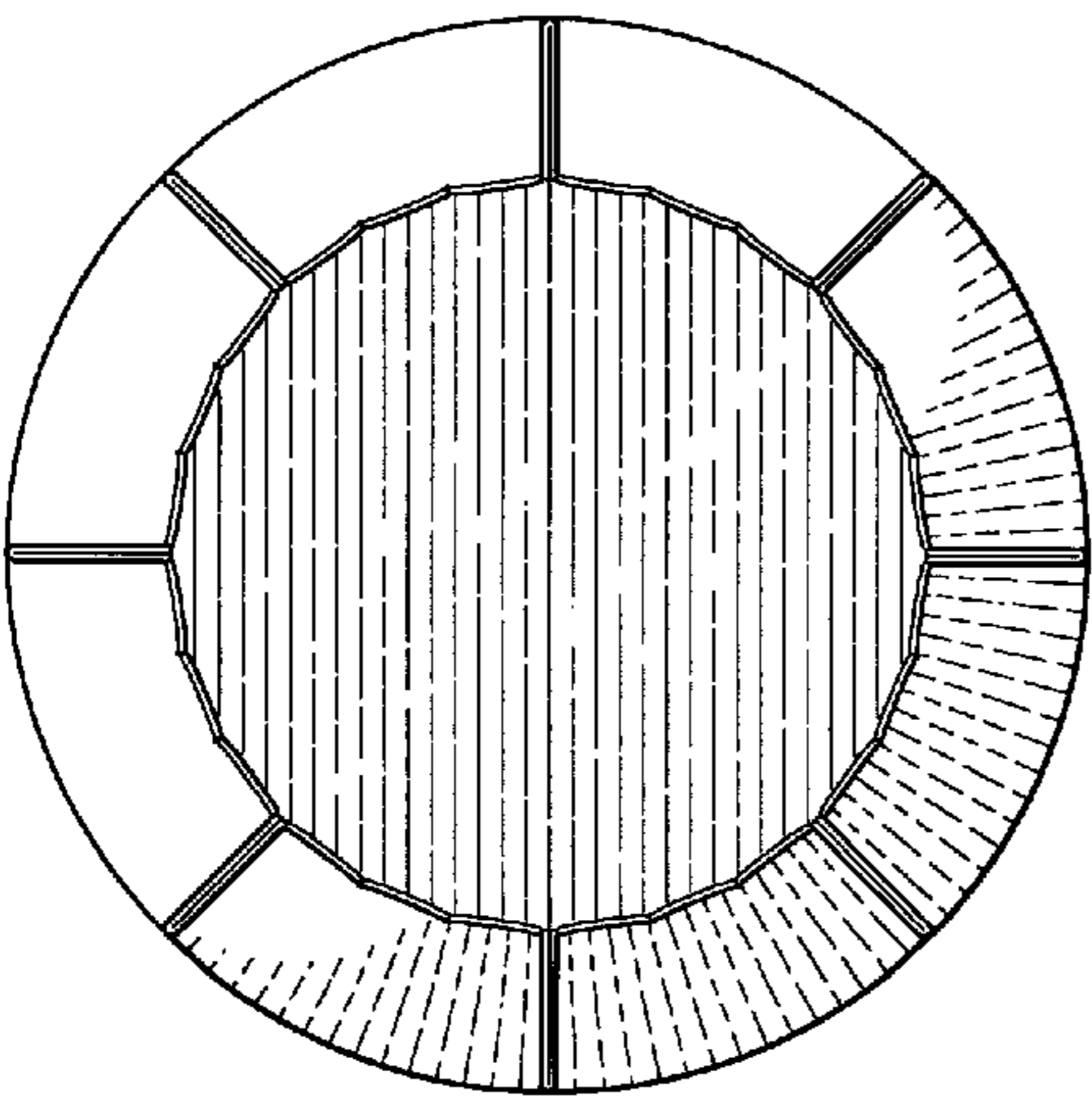


FIG. 35

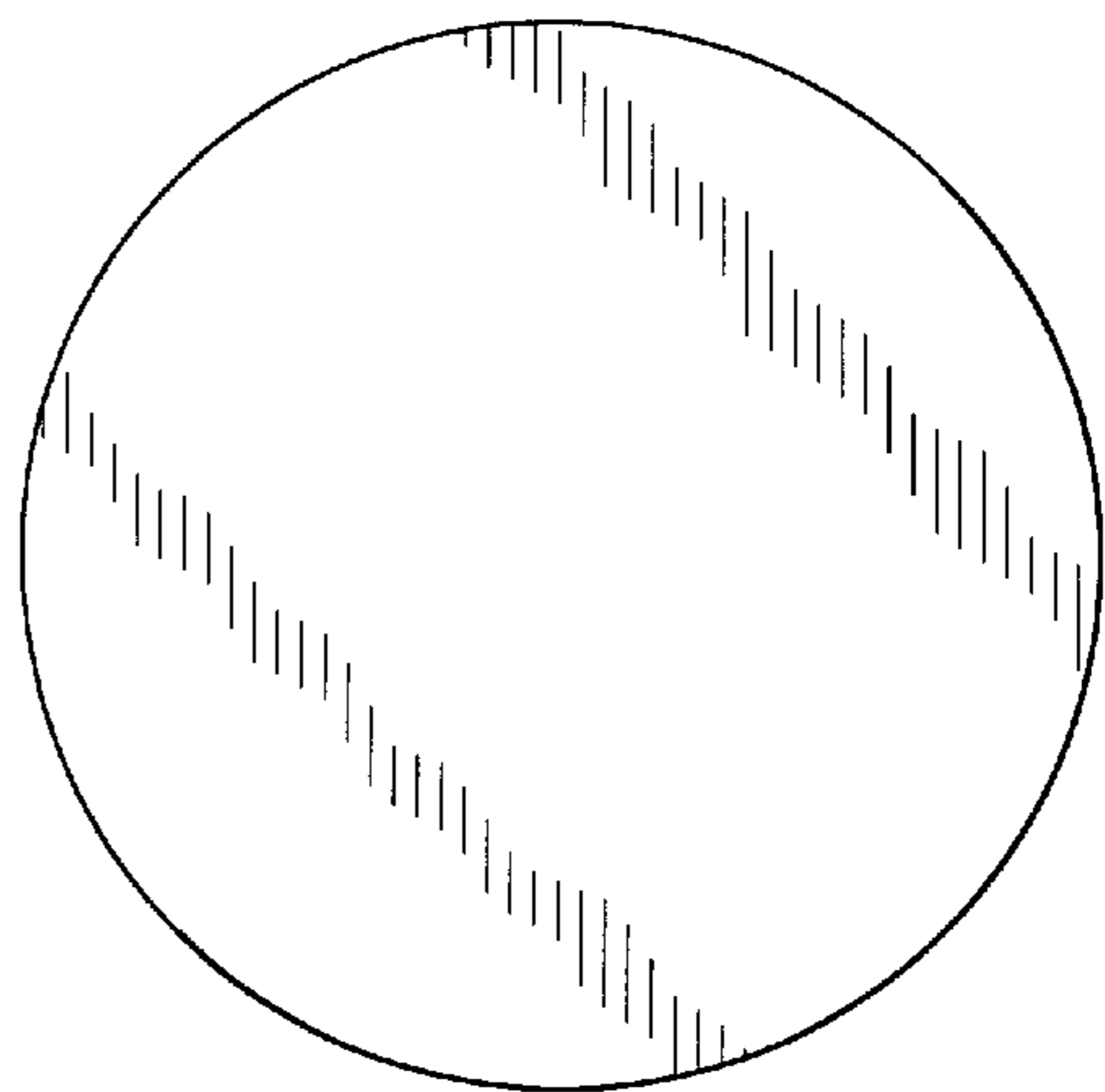


FIG. 36

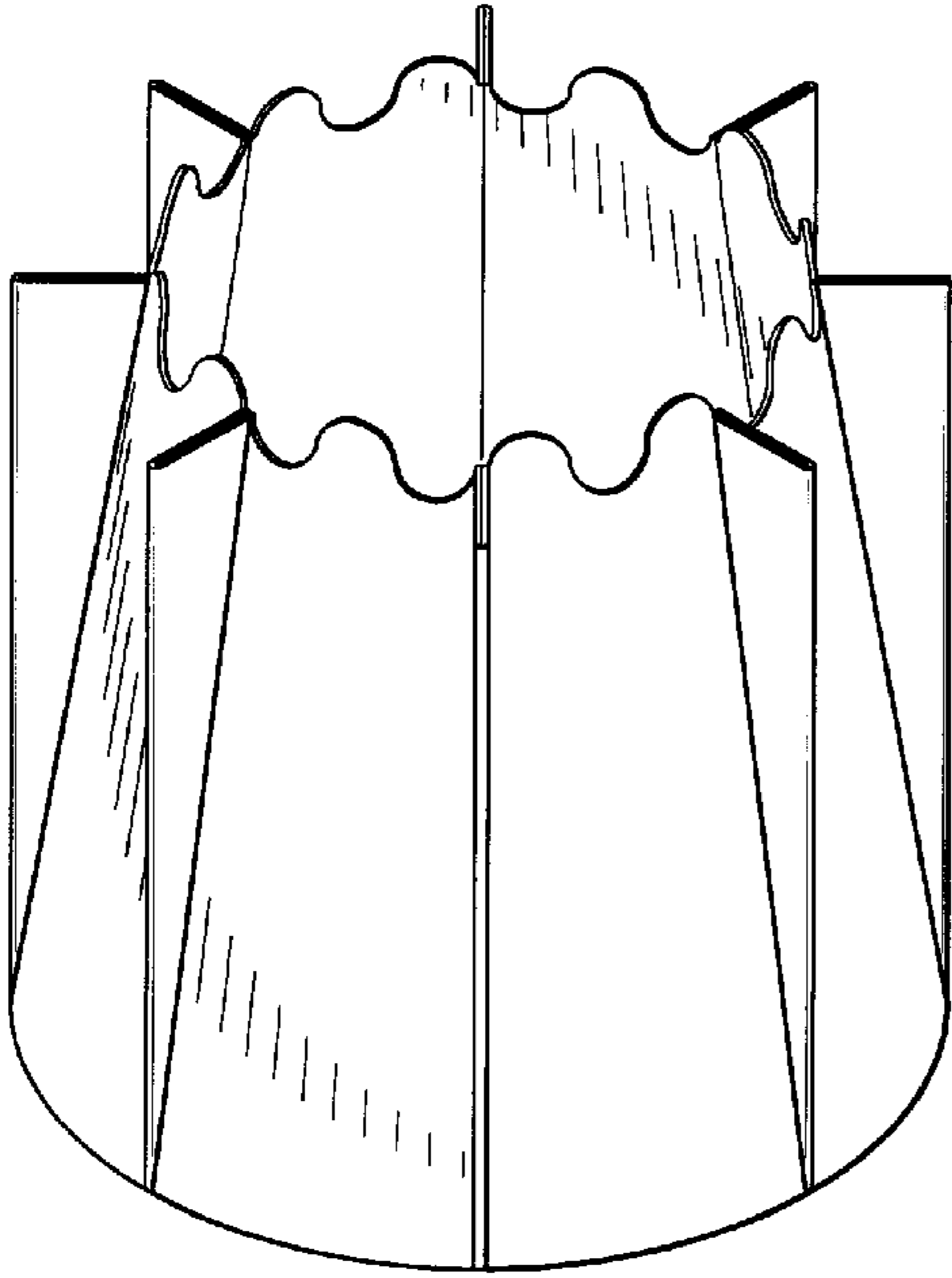


FIG. 37

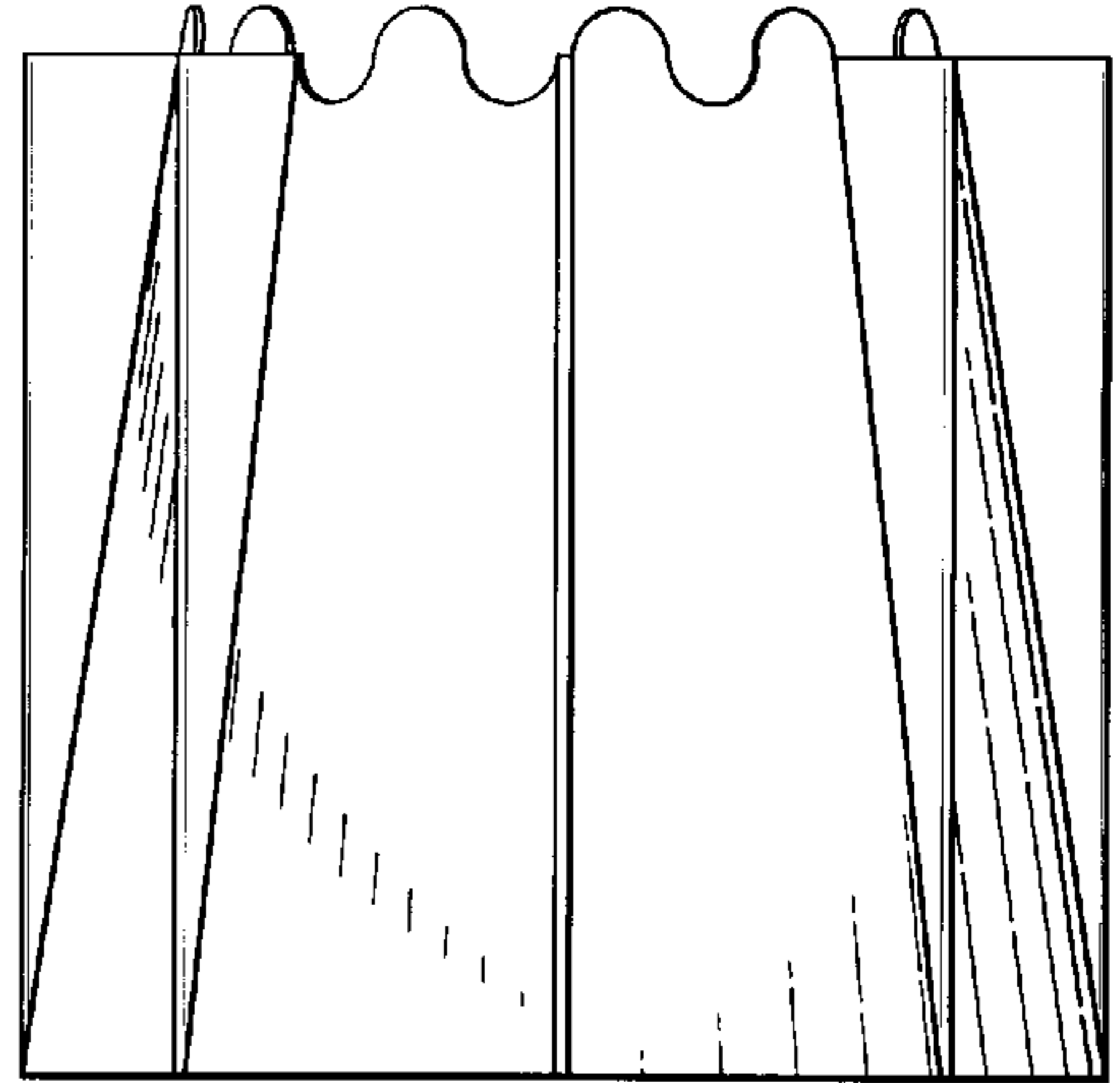


FIG. 38

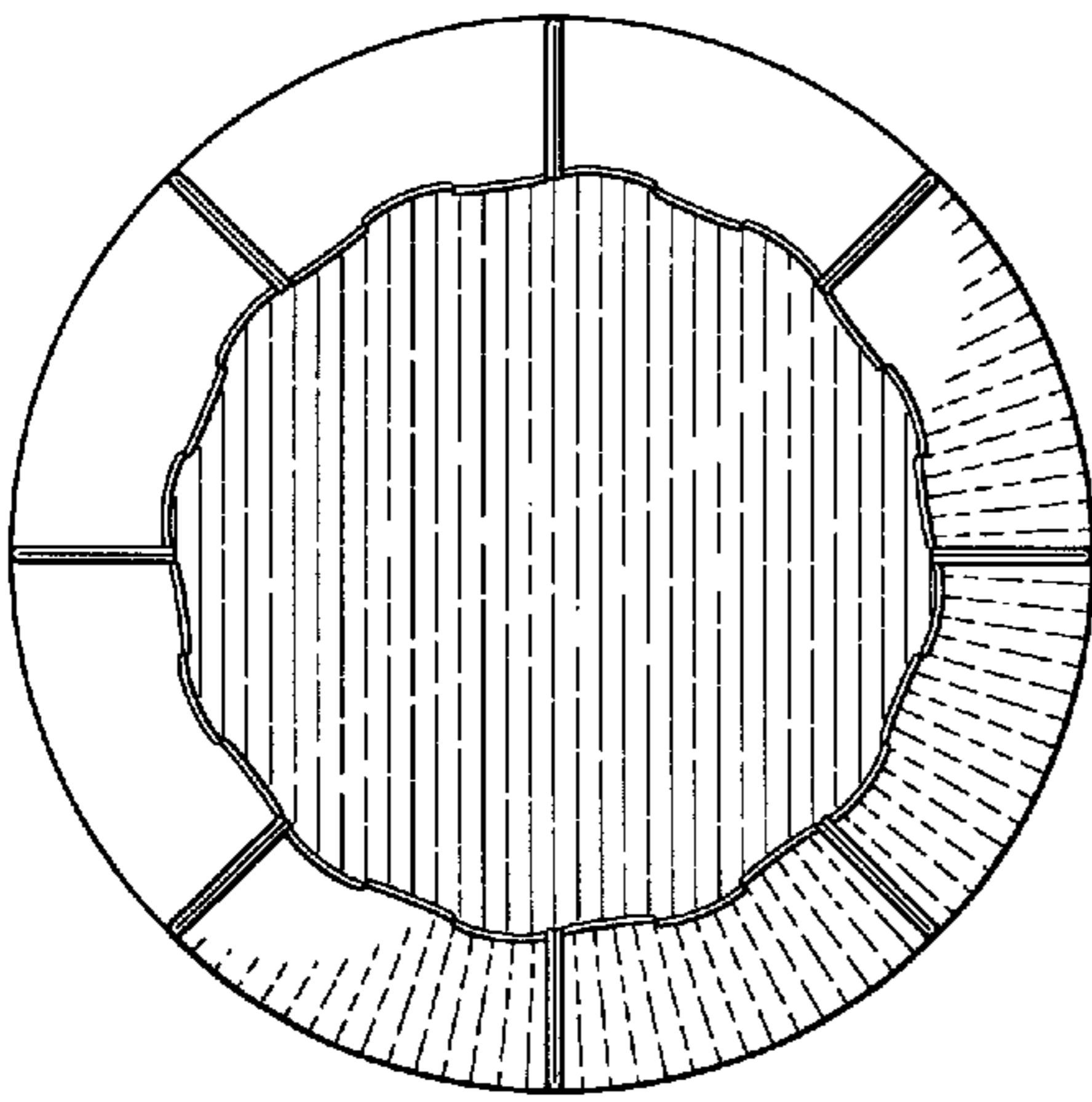


FIG. 39

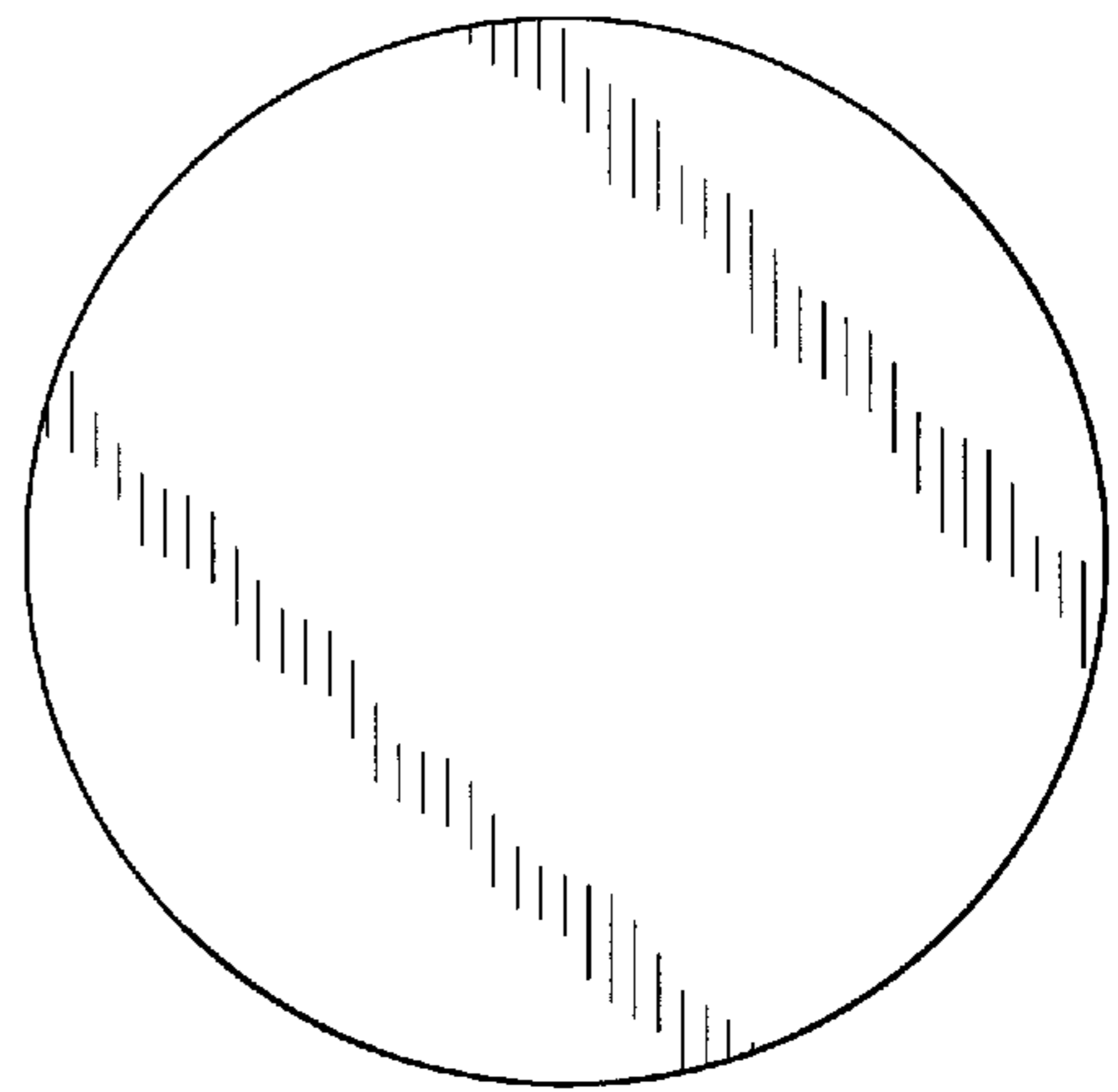


FIG. 40

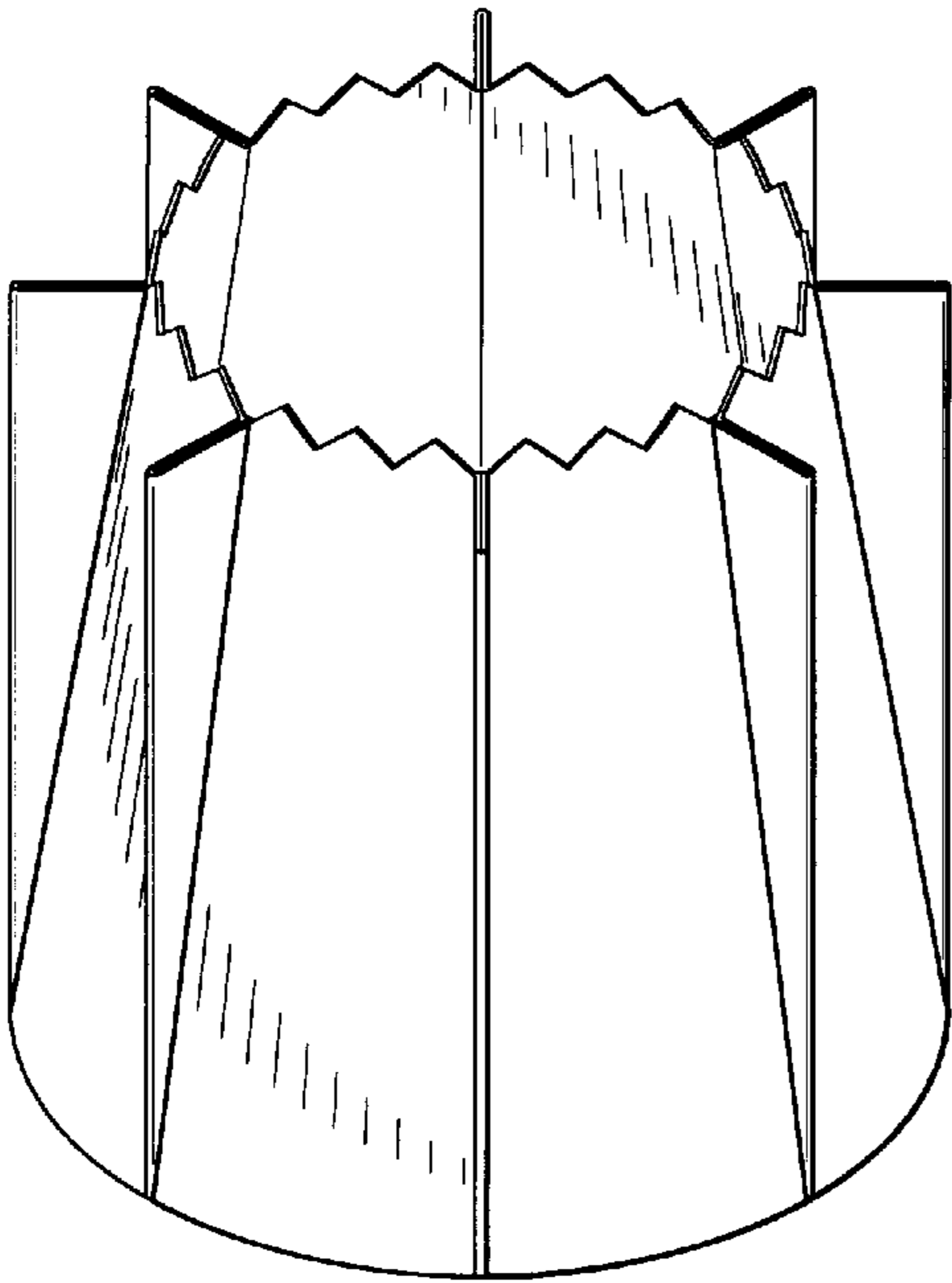


FIG. 41

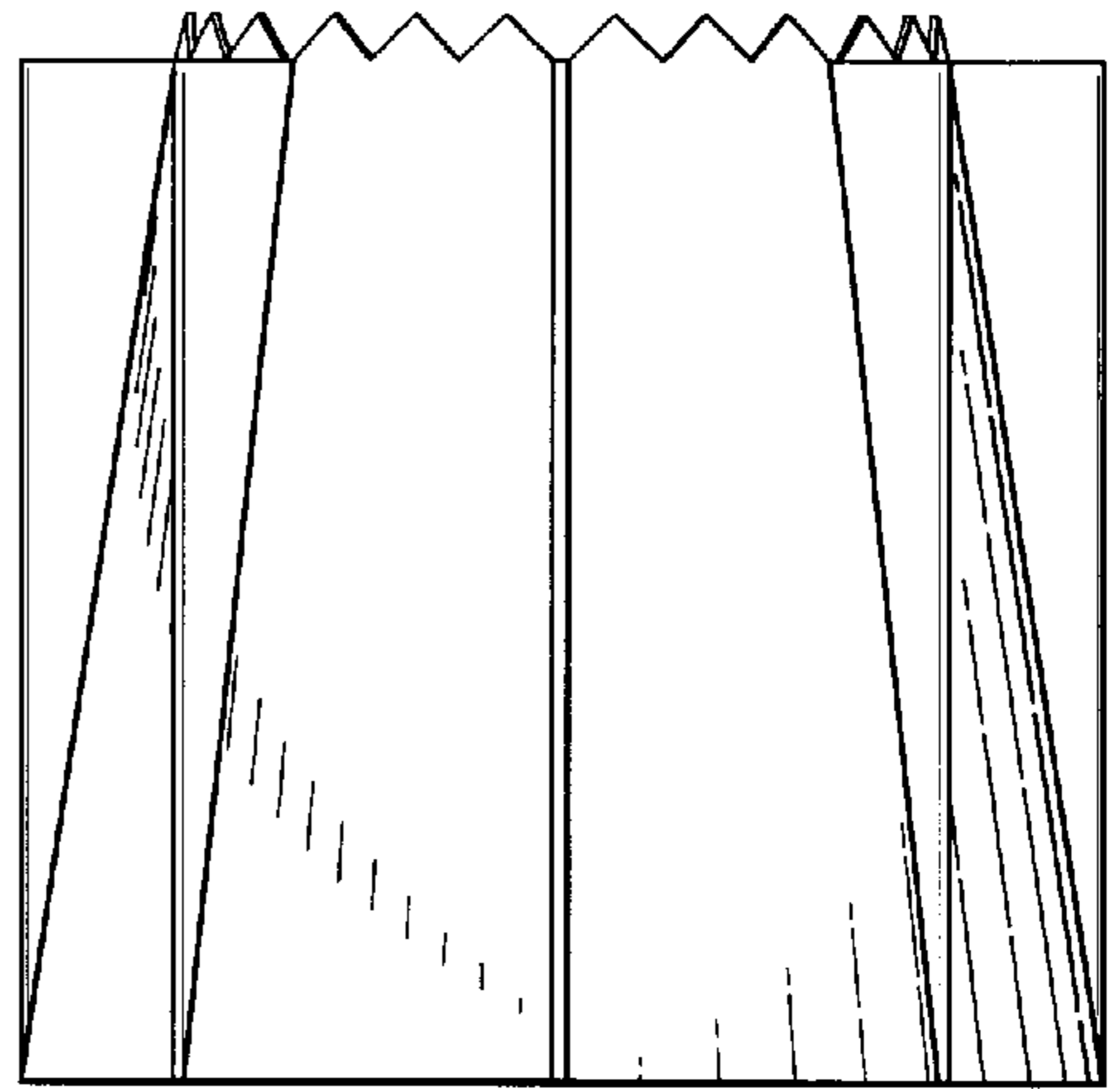


FIG. 42

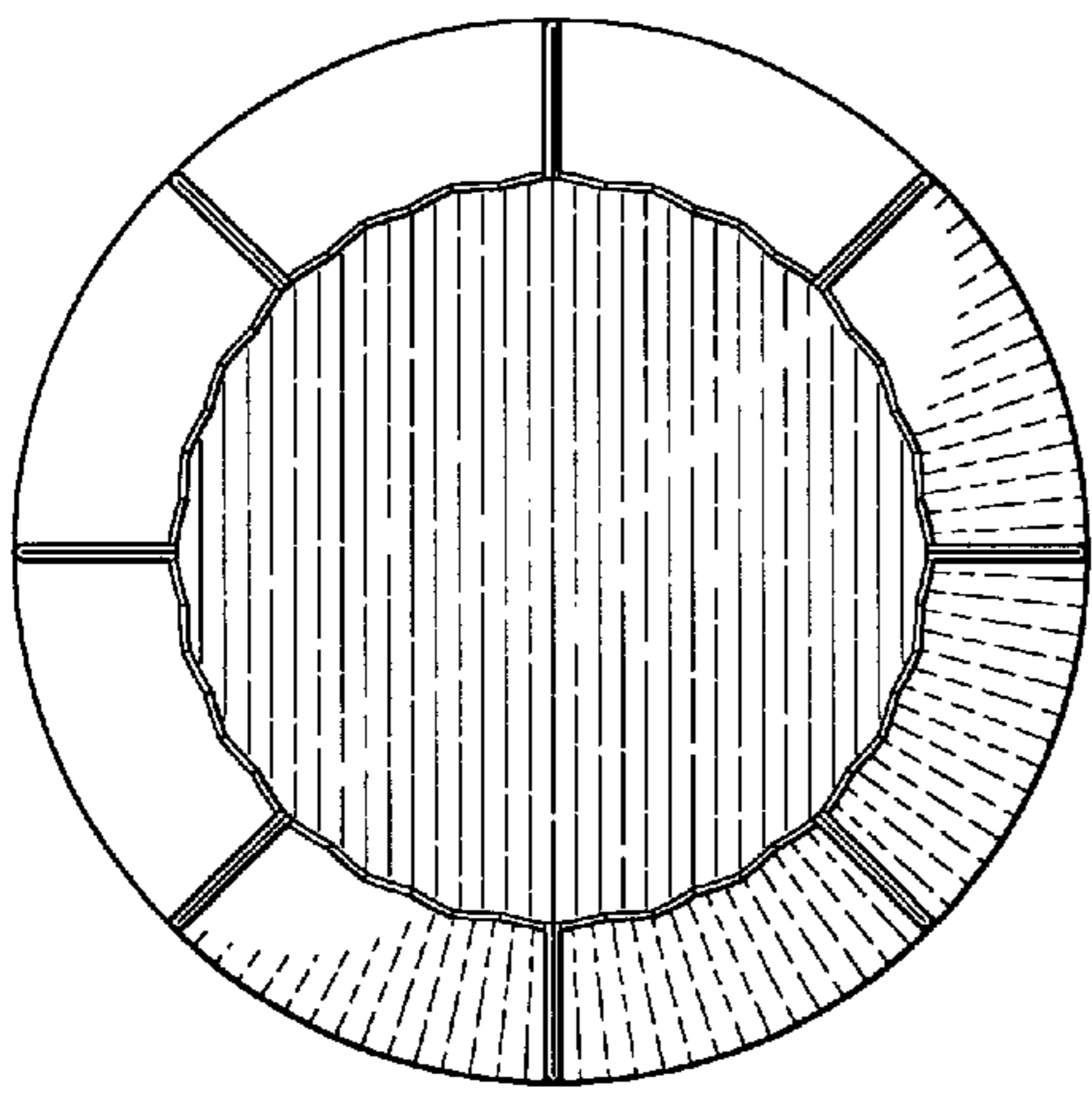


FIG. 43

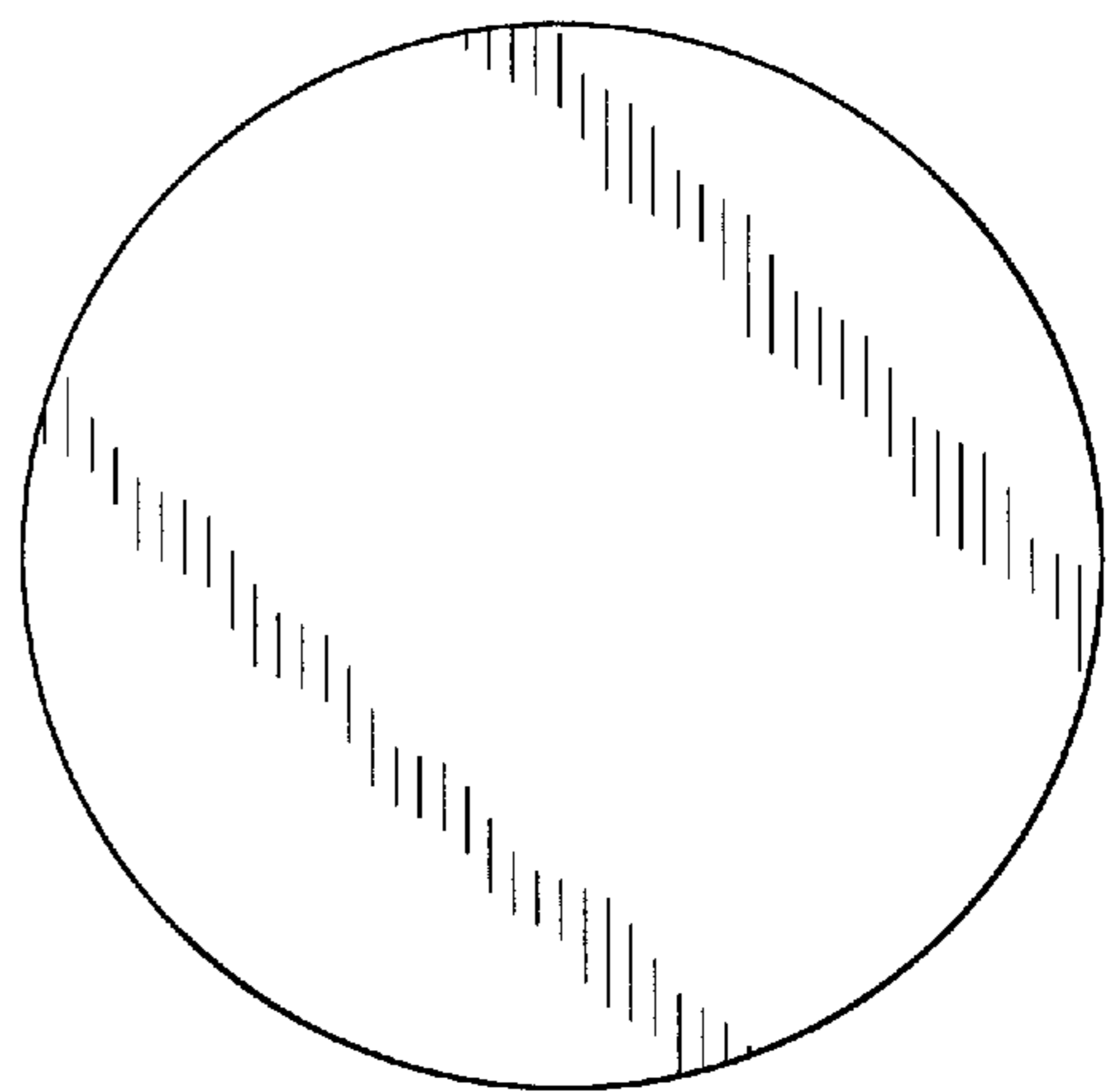


FIG. 44