



US00D409946S

**United States Patent** [19]  
**Hensen**

[11] **Patent Number: Des. 409,946**

[45] **Date of Patent: \*\* May 18, 1999**

[54] **PLANT POT**

[75] Inventor: **Edward Hensen**, Brantford, Canada

[73] Assignee: **ITML Incorporated**, Brantford, Canada

[\*\*] Term: **14 Years**

[21] Appl. No.: **29/088,631**

[22] Filed: **May 27, 1998**

[51] **LOC (6) Cl.** ..... **11-02**

[52] **U.S. Cl.** ..... **D11/152**

[58] **Field of Search** ..... D11/143, 152,  
D11/153; D6/403; 47/39, 40, 65.5, 67,  
72, 41.01; 206/423; 248/27.8

[56] **References Cited**

**U.S. PATENT DOCUMENTS**

D. 368,234	3/1996	Dickinson et al. ....	D11/152
D. 369,760	5/1996	Sanderson .....	D11/152
3,949,524	4/1976	Mickelson .	
3,965,616	6/1976	Ridgeway .	
4,020,592	5/1977	Saunders .	
4,047,329	9/1977	Holt .	
4,059,920	11/1977	Worrell .	
4,092,804	6/1978	Morris et al. .	
4,167,080	9/1979	Mickelson .	
4,224,764	9/1980	Dziewulski et al. .	

4,299,055	11/1981	Dziewulski et al. .
4,315,382	2/1982	Kay et al. .
4,481,733	11/1984	Jacobs .
4,597,221	7/1986	Adair et al. .
4,891,905	1/1990	Stolz .
5,309,670	5/1994	Bates .
5,481,826	1/1996	Dickinson et al. .
5,638,638	6/1997	Moskowitz .

*Primary Examiner*—Doris V. Coles  
*Assistant Examiner*—Linda Brooks  
*Attorney, Agent, or Firm*—R. Craig Armstrong

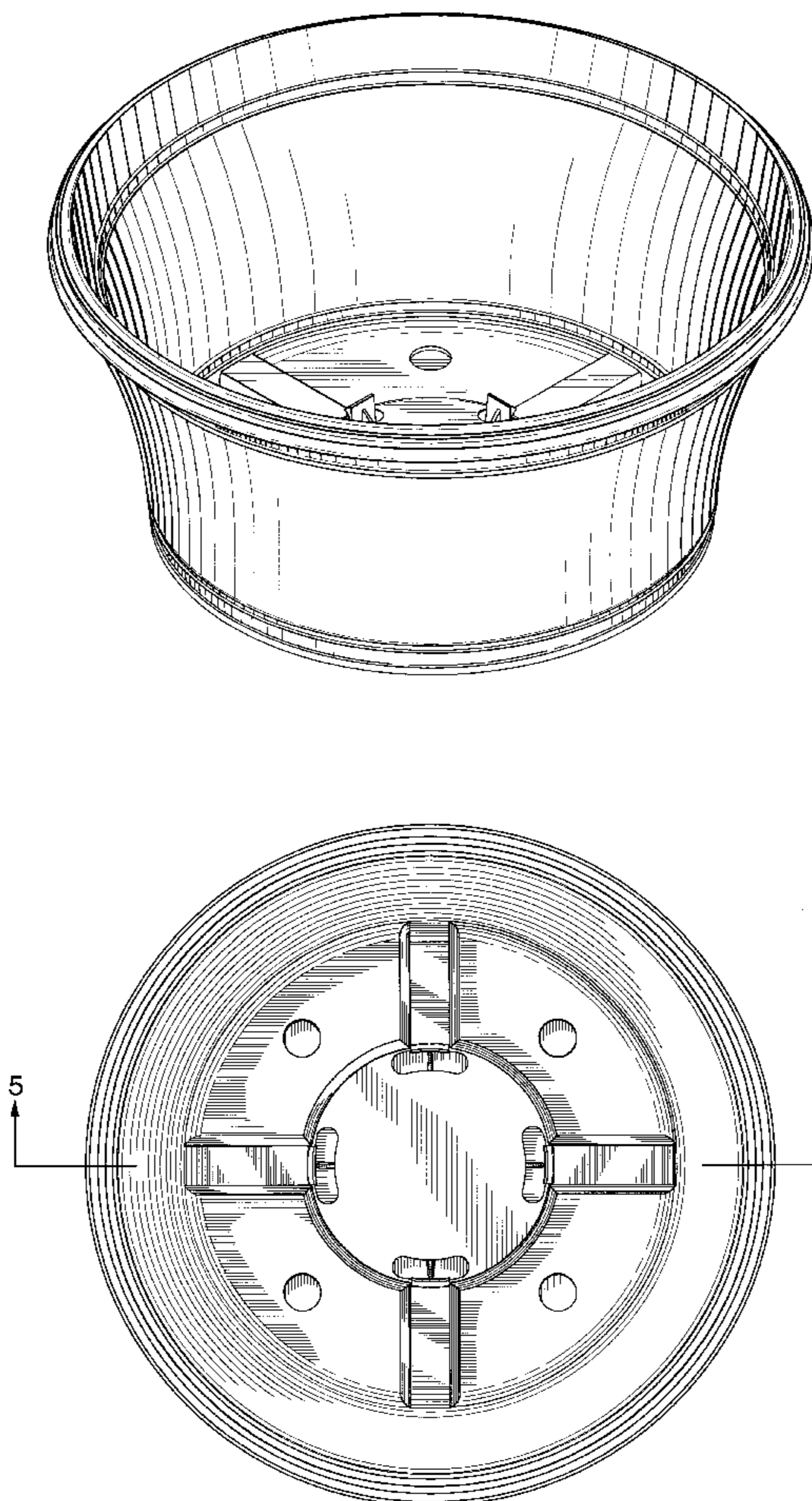
[57] **CLAIM**

The ornamental design for a plant pot, as shown and described.

**DESCRIPTION**

FIG. 1 is a perspective view of the plant pot;  
FIG. 2 is a top view thereof;  
FIG. 3 is a side view thereof, the opposite side being identical;  
FIG. 4 is a bottom view thereof; and,  
FIG. 5 is an enlarged cross section taken along line 5—5 in FIG. 2.  
The design is characterized by the overall shape and ornament of the plant pot as shown in the drawings.

**1 Claim, 4 Drawing Sheets**



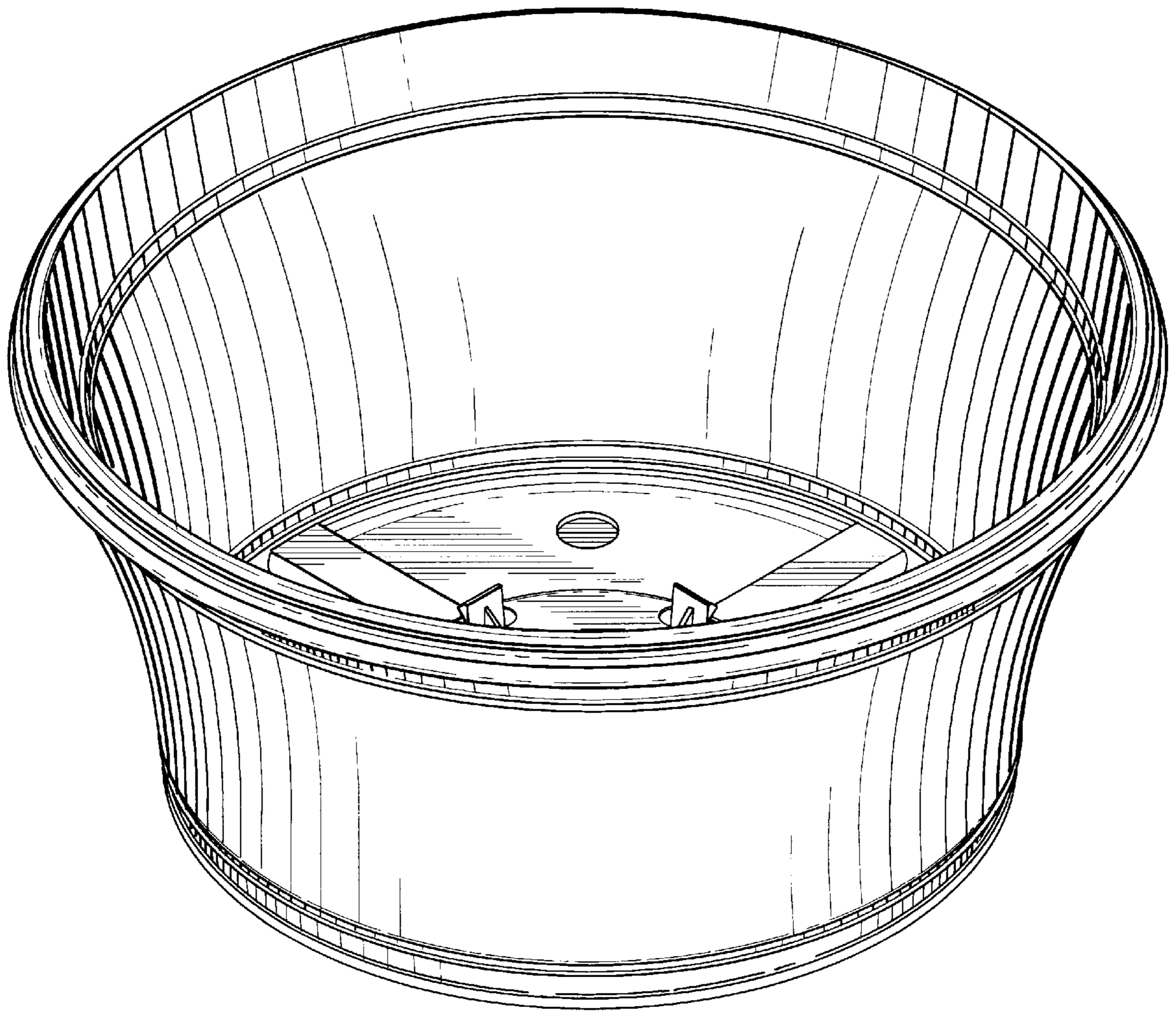


FIG.1

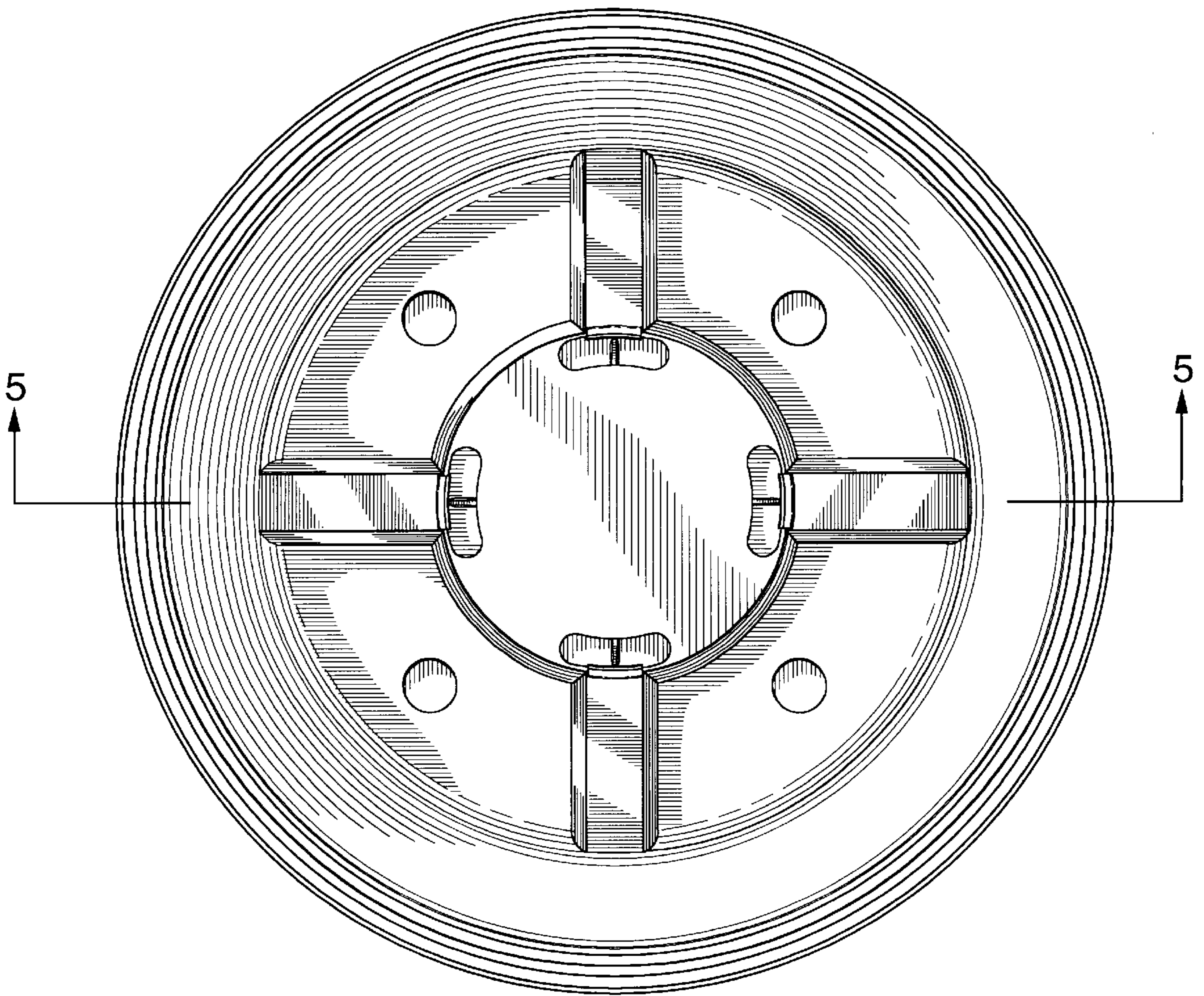


FIG. 2

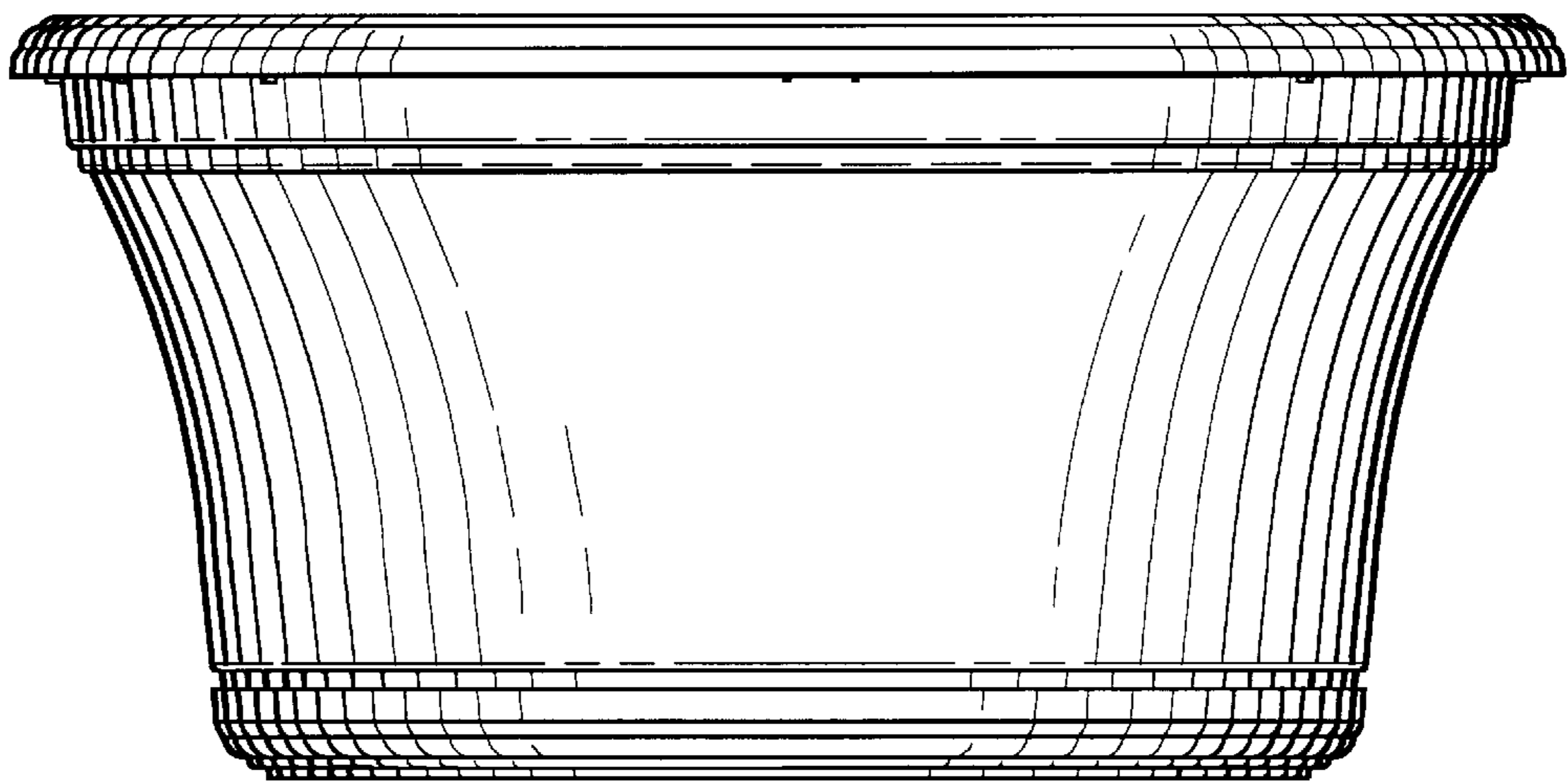


FIG. 3

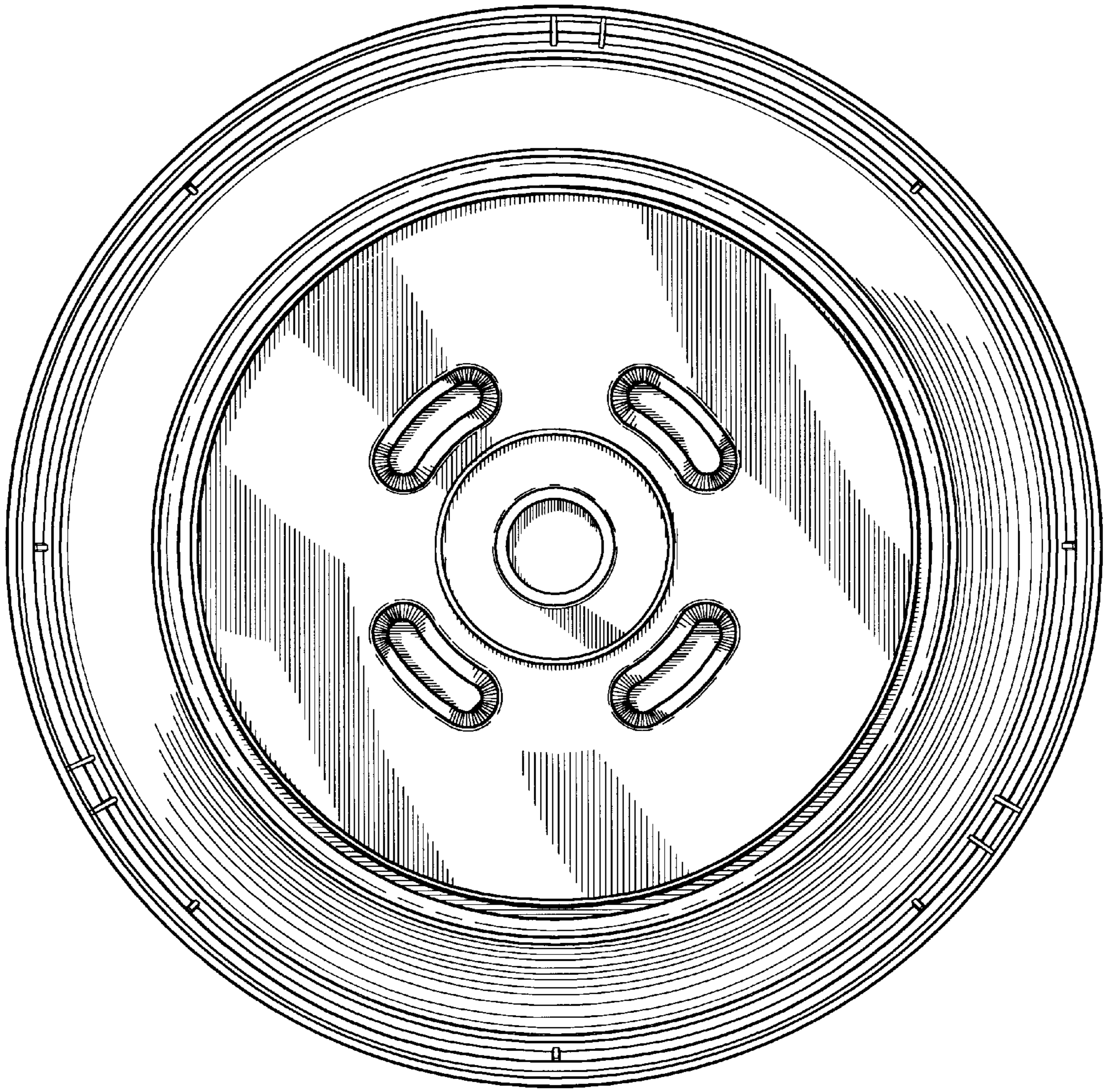


FIG.4

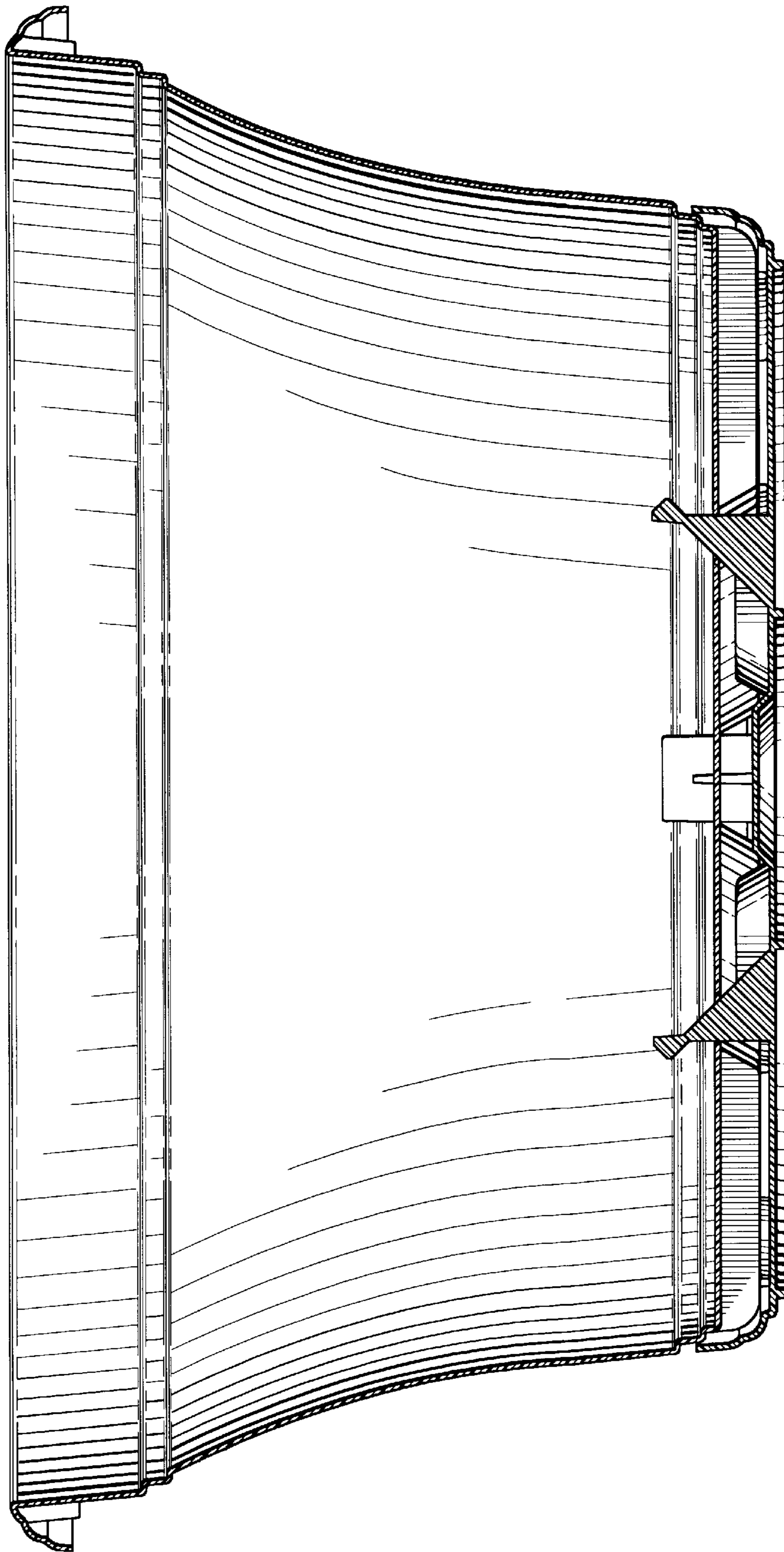


FIG.5