



US00D409945S

United States Patent [19] Hensen

[11] Patent Number: Des. 409,945

[45] Date of Patent: ** May 18, 1999

[54] PLANT POT

[75] Inventor: Edward Hensen, Brantford, Canada

[73] Assignee: ITML Incorporated, Brantford, Canada

[**] Term: 14 Years

[21] Appl. No.: 29/088,572

[22] Filed: May 27, 1998

[51] LOC (6) Cl. 11-02

[52] U.S. Cl. D11/152

[58] Field of Search D11/143, 152,
D11/153; D6/403; 47/39, 40, 65.5, 67-72,
41.01; 206/423; 248/27.8

[56] **References Cited**

U.S. PATENT DOCUMENTS

D. 368,234	3/1996	Dickinson et al.	D11/152
D. 369,760	5/1996	Sanderson	D11/152
3,949,524	4/1976	Mickelson .	
3,965,616	6/1976	Ridgeway .	
4,020,592	5/1977	Saunders .	
4,047,329	9/1977	Holt .	
4,059,920	11/1977	Worrell .	
4,092,804	6/1978	Morris et al. .	
4,167,080	9/1979	Mickelson .	
4,224,764	9/1980	Dziewulski et al. .	

4,299,055	11/1981	Dziewulski et al. .
4,315,382	2/1982	Kay et al. .
4,481,733	11/1984	Jacobs .
4,597,221	7/1986	Adair et al. .
4,891,905	1/1990	Stolz .
5,309,670	5/1994	Bates .
5,481,826	1/1996	Dickinson et al. .
5,638,638	6/1997	Moskowitz .

Primary Examiner—Doris V. Coles
Assistant Examiner—Linda Brooks
Attorney, Agent, or Firm—R. Craig Armstrong

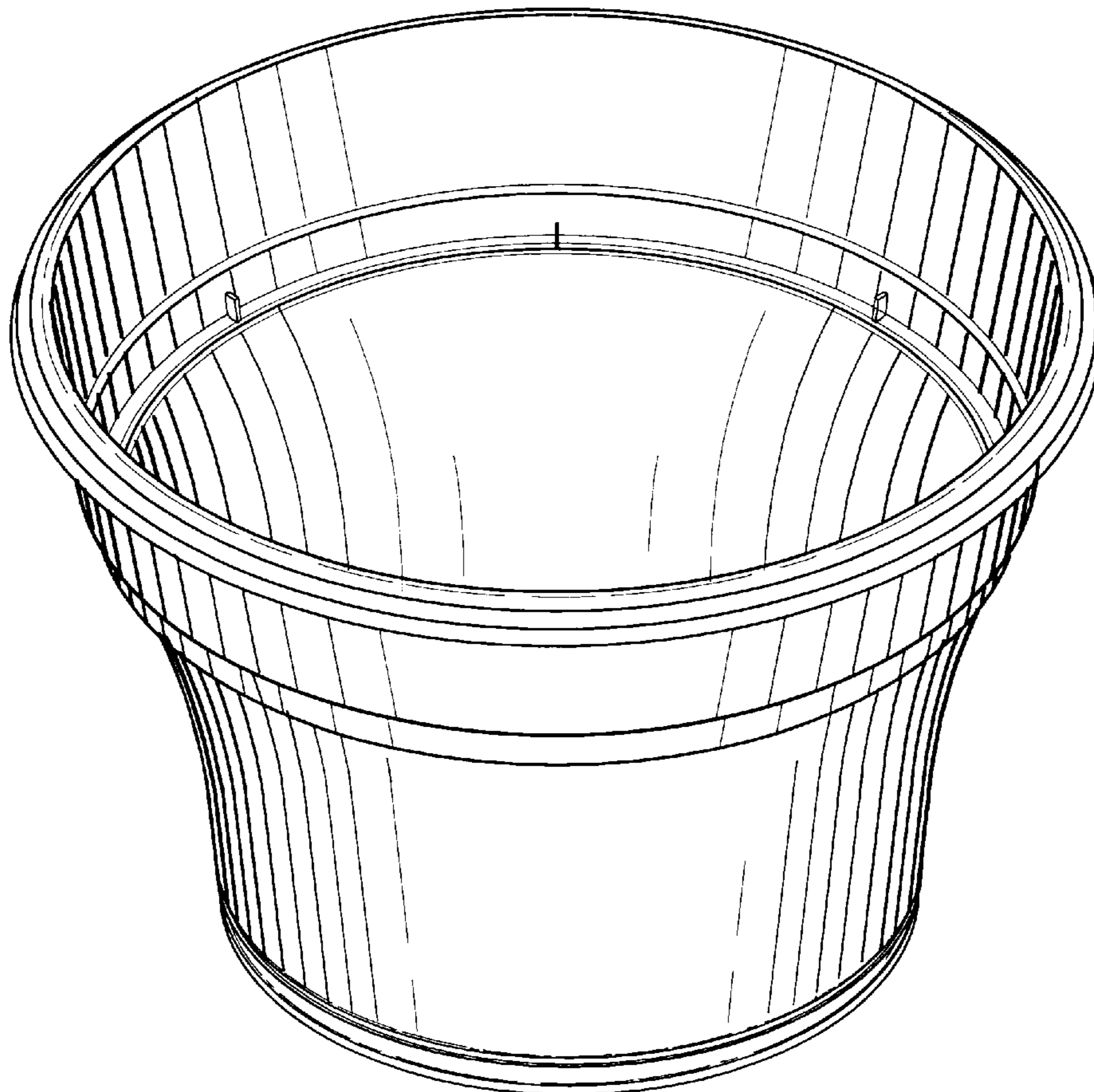
[57] **CLAIM**

The ornamental design for a plant pot, as shown and described.

DESCRIPTION

FIG. 1 is a perspective view of the plant pot;
FIG. 2 is a top view thereof;
FIG. 3 is a side view thereof, the opposite side being identical;
FIG. 4 is a bottom view thereof;
FIG. 5 is an enlarged cross section taken along line 5—5 of FIG. 2.
The design is characterized by the overall shape and ornament of the plant pot as shown in the drawings.

1 Claim, 4 Drawing Sheets



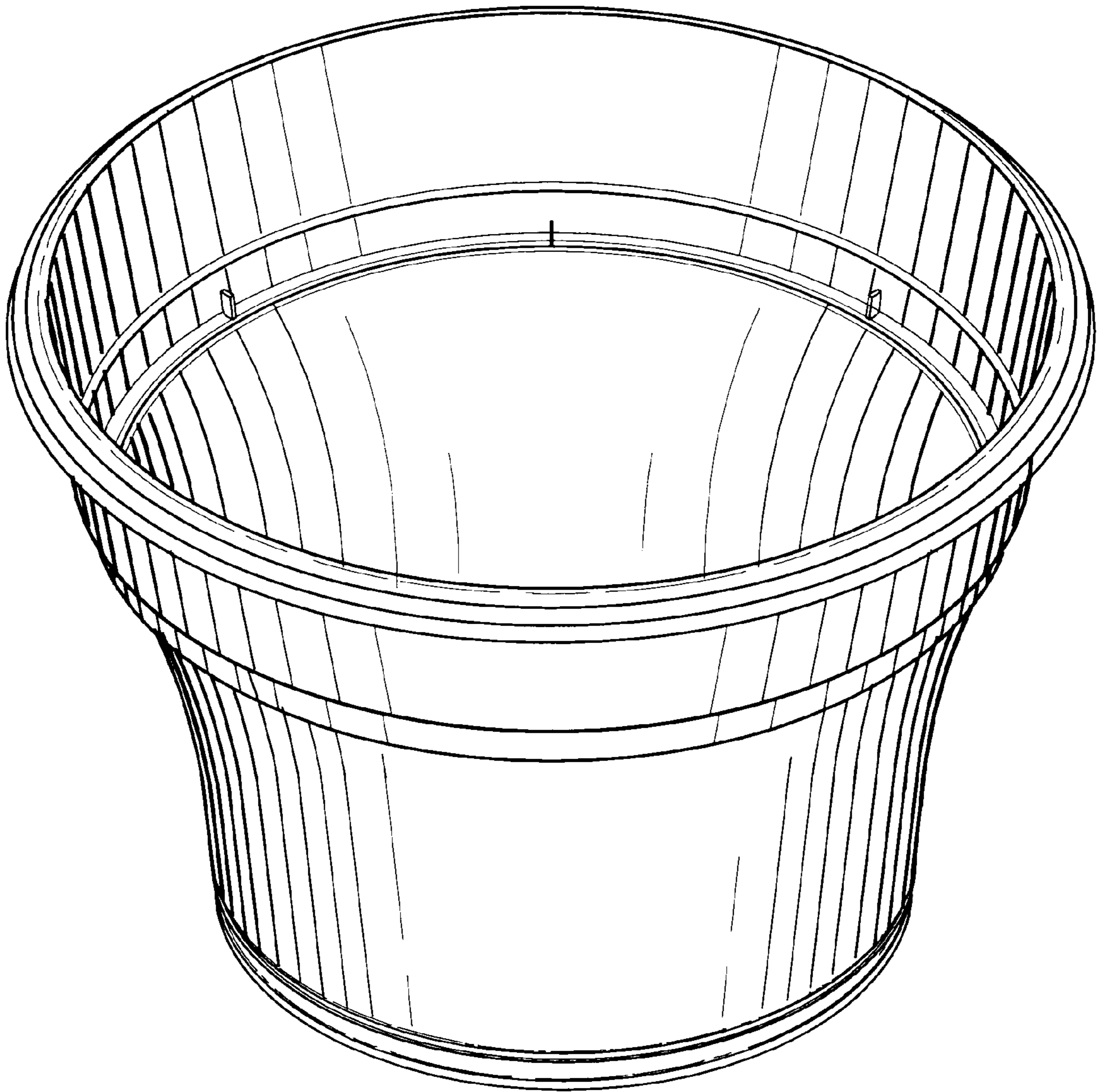


FIG.1

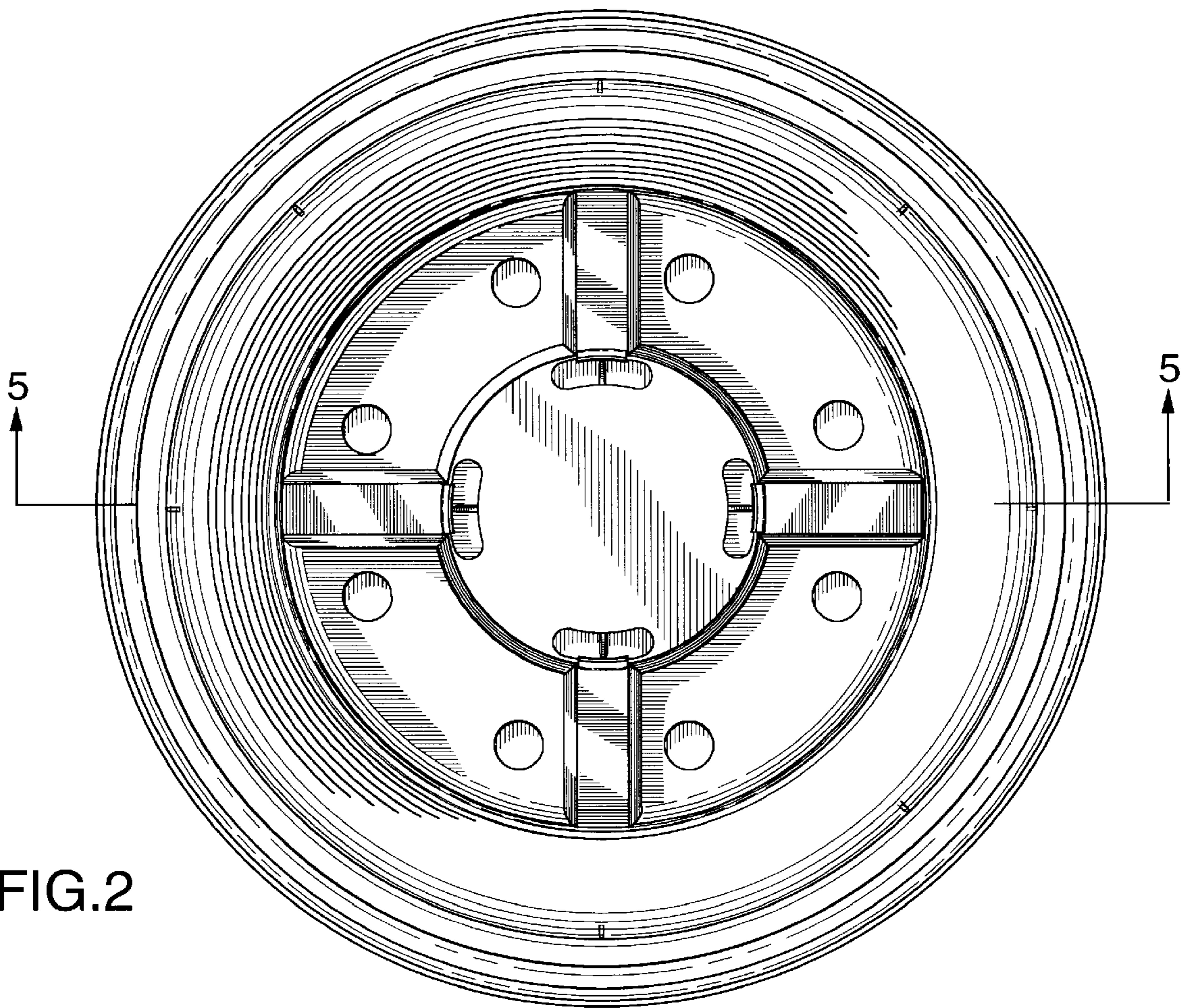


FIG. 2

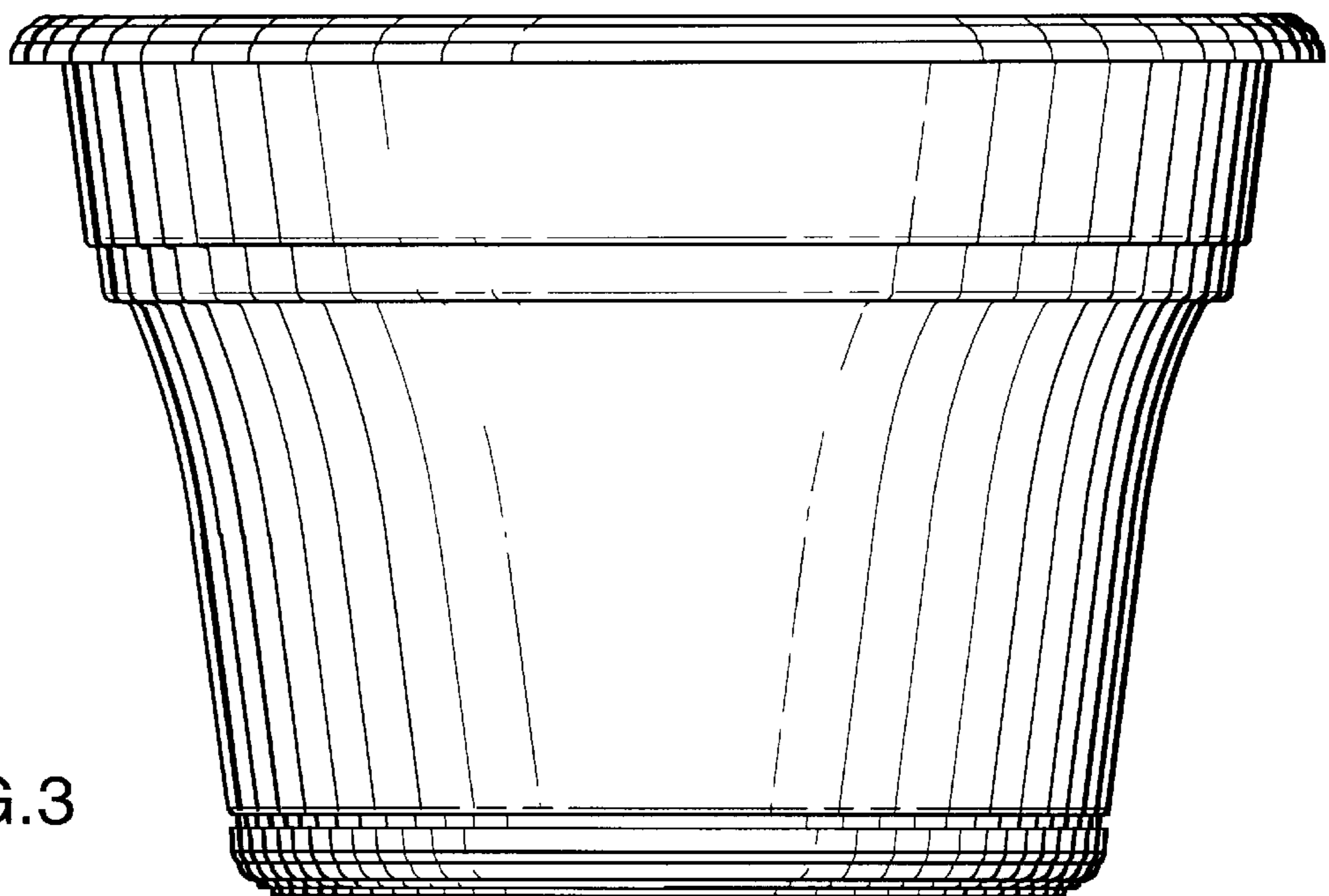


FIG. 3

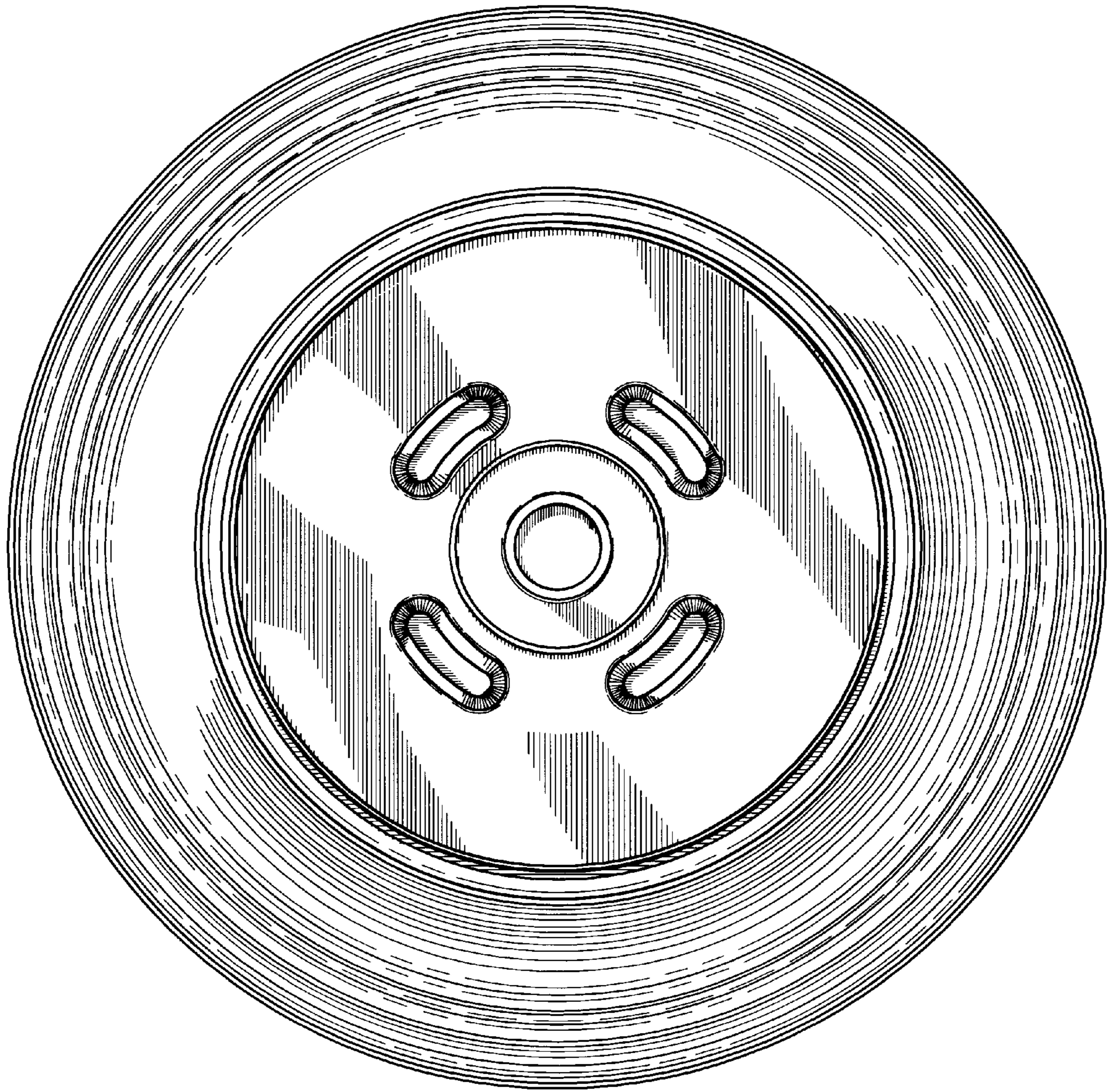


FIG.4

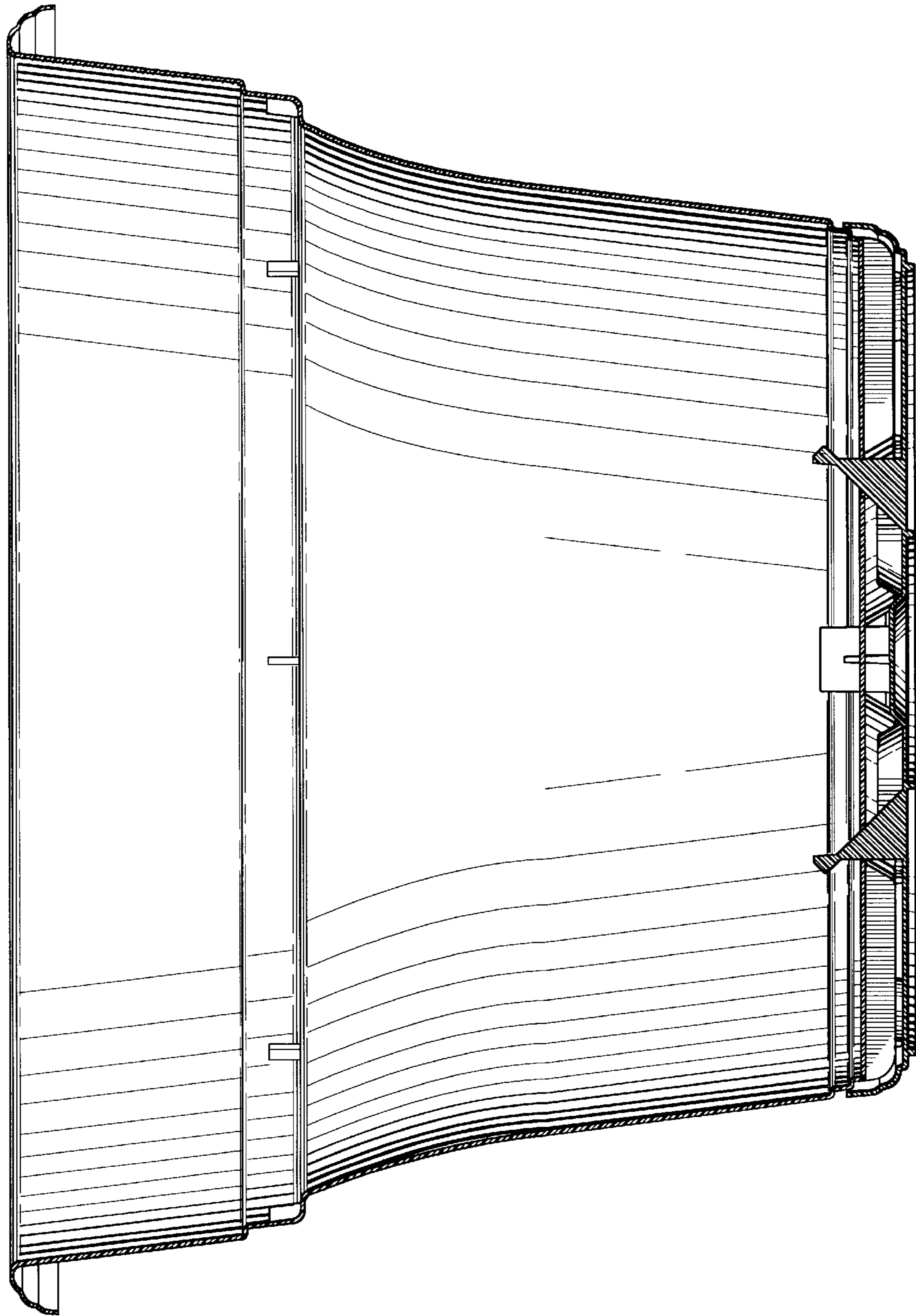


FIG.5