



US00D409940S

United States Patent [19] Spandrio et al.

[11] **Patent Number: Des. 409,940**

[45] **Date of Patent: ** May 18, 1999**

[54] **WATCH BAND**

D. 401,181 11/1998 Houlihan D11/3

[75] Inventors: **Roman Spandrio**, Camarillo; **Jose V. JaVellana**, Pasadena, both of Calif.

OTHER PUBLICATIONS

Men's Journal Handbook & Buyer's Guide, 1999, p. 7 (watch band on Reebok Pentathlon believed to be on sale or in public use at least at early as Aug. 1995).

[73] Assignee: **Sunburst Products, Inc.**

Primary Examiner—Ralf Seifert
Attorney, Agent, or Firm—Sheldon & Mak; Denton L. Anderson

[**] Term: **14 Years**

[21] Appl. No.: **29/094,087**

[22] Filed: **Sep. 25, 1998**

[57] CLAIM

[51] **LOC (6) Cl.** **11-01**

The ornamental design for a watch band, as shown and described.

[52] **U.S. Cl.** **D11/3**

[58] **Field of Search** D11/1-6, 12-25;
63/1.1-3, 21; D10/32; 363/281, 282, 276;
224/152, 164

DESCRIPTION

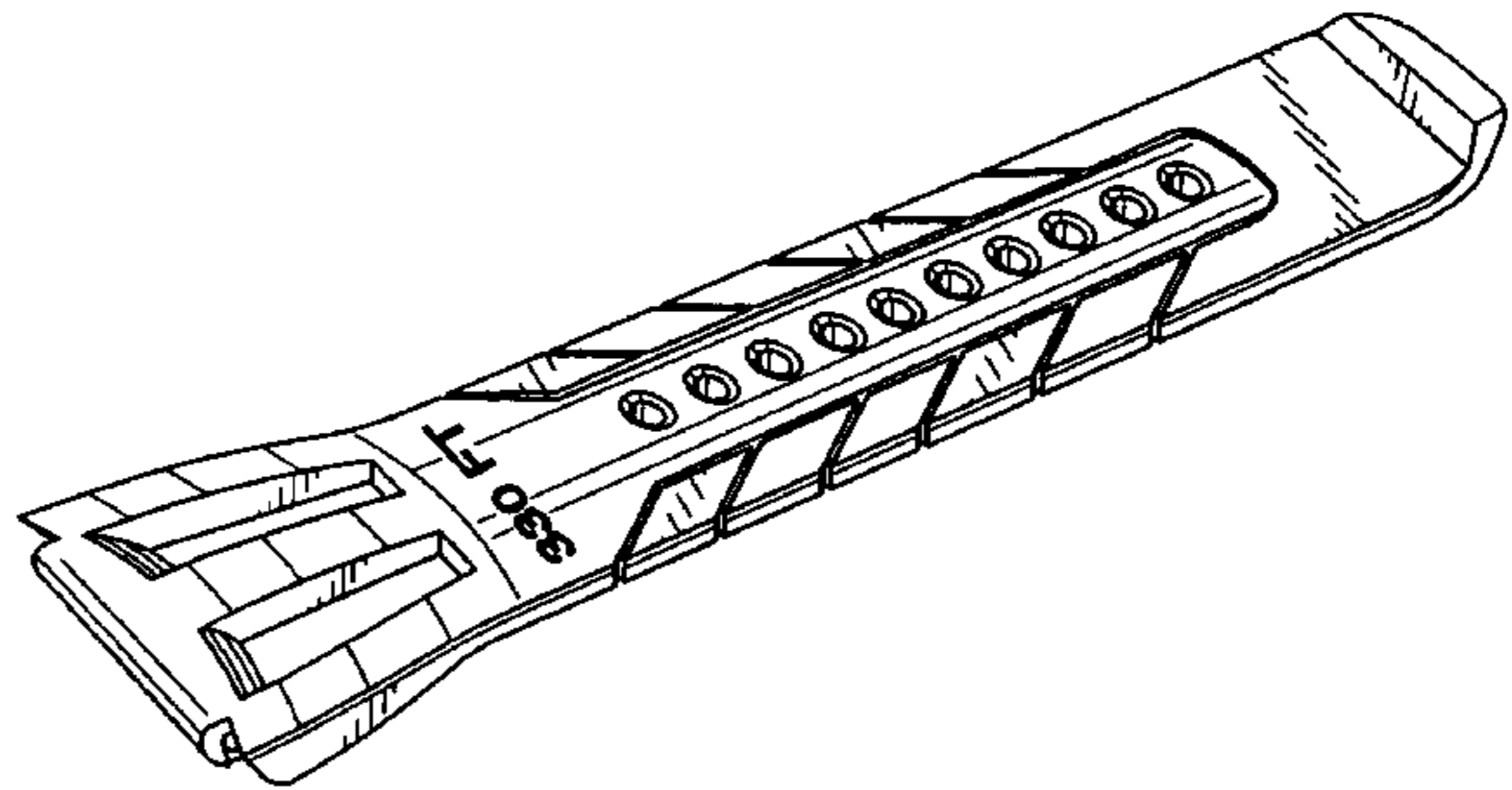
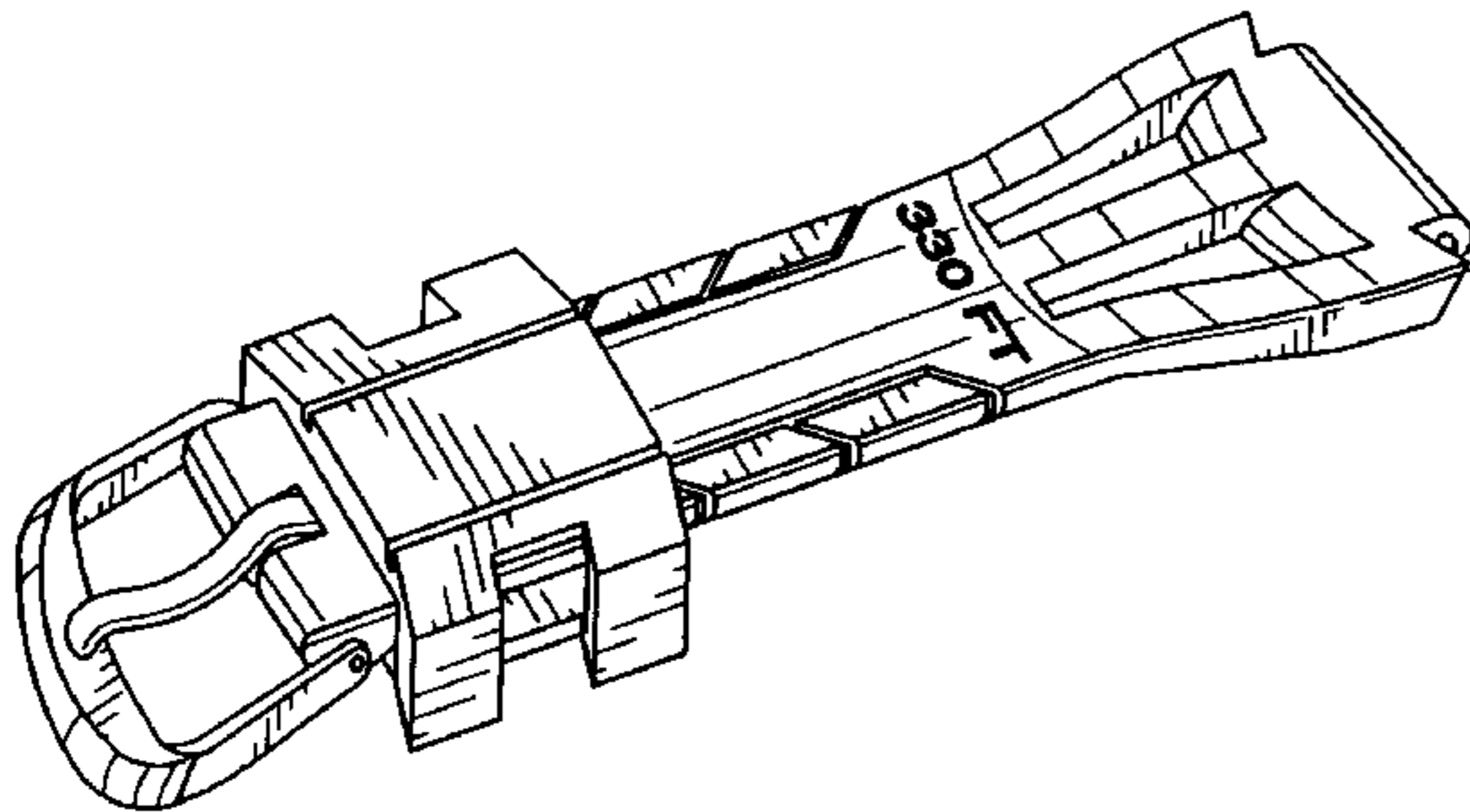
FIG. 1 is a perspective view of my design;
FIG. 2 is a top plan view thereof;
FIG. 3 is a left side elevational view thereof;
FIG. 4 is a right side elevational view thereof;
FIG. 5 is a front elevational view thereof;
FIG. 6 is a rear elevational view thereof; and,
FIG. 7 is a bottom plan view thereof.

[56] References Cited

U.S. PATENT DOCUMENTS

D. 334,150 3/1993 Cuddleback D11/3
D. 378,807 4/1997 Houlihan D11/3
D. 382,828 8/1997 Houlihan D11/3
D. 387,298 12/1997 Hanagata D11/3

1 Claim, 2 Drawing Sheets



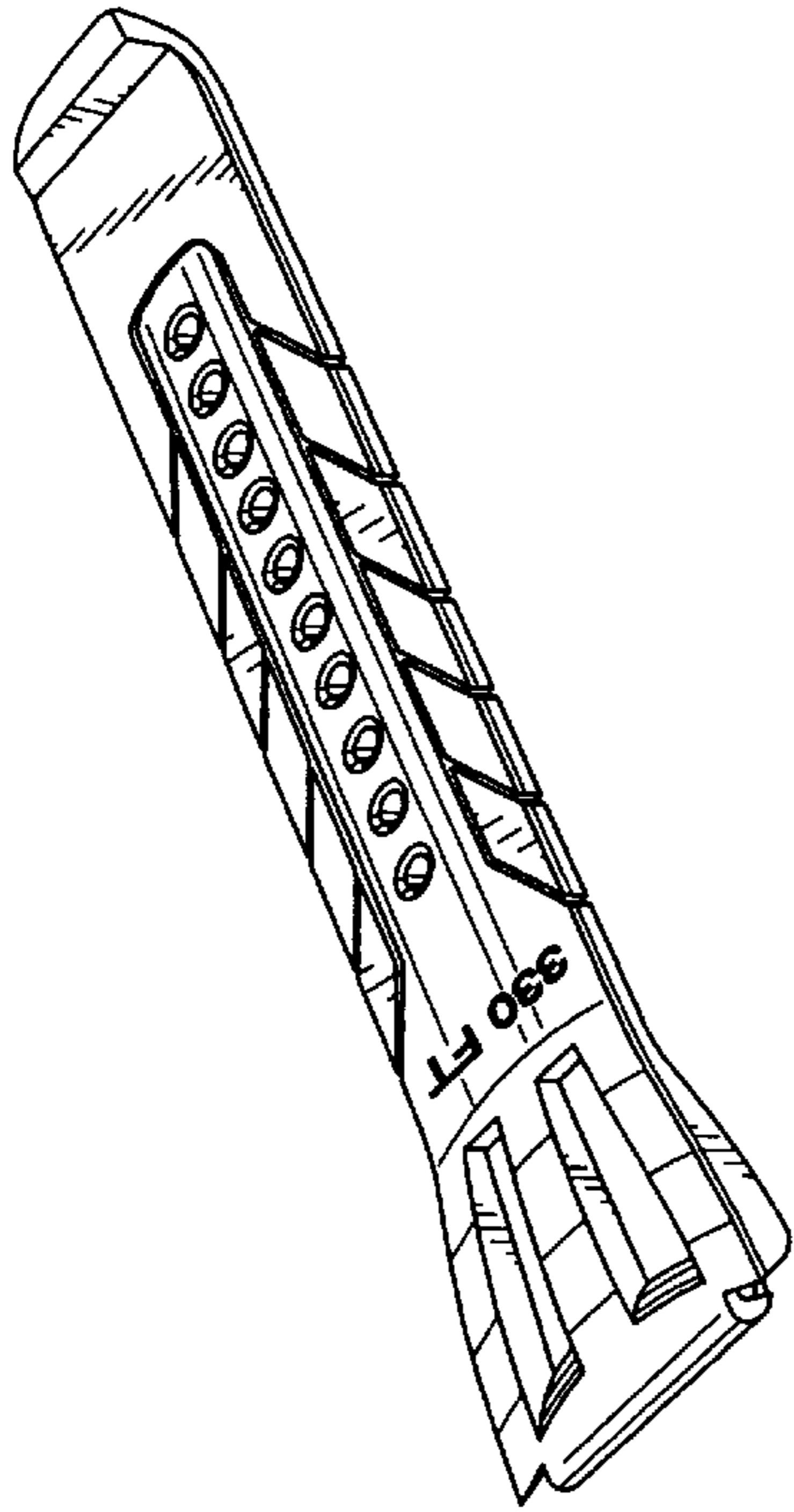


FIG. 1

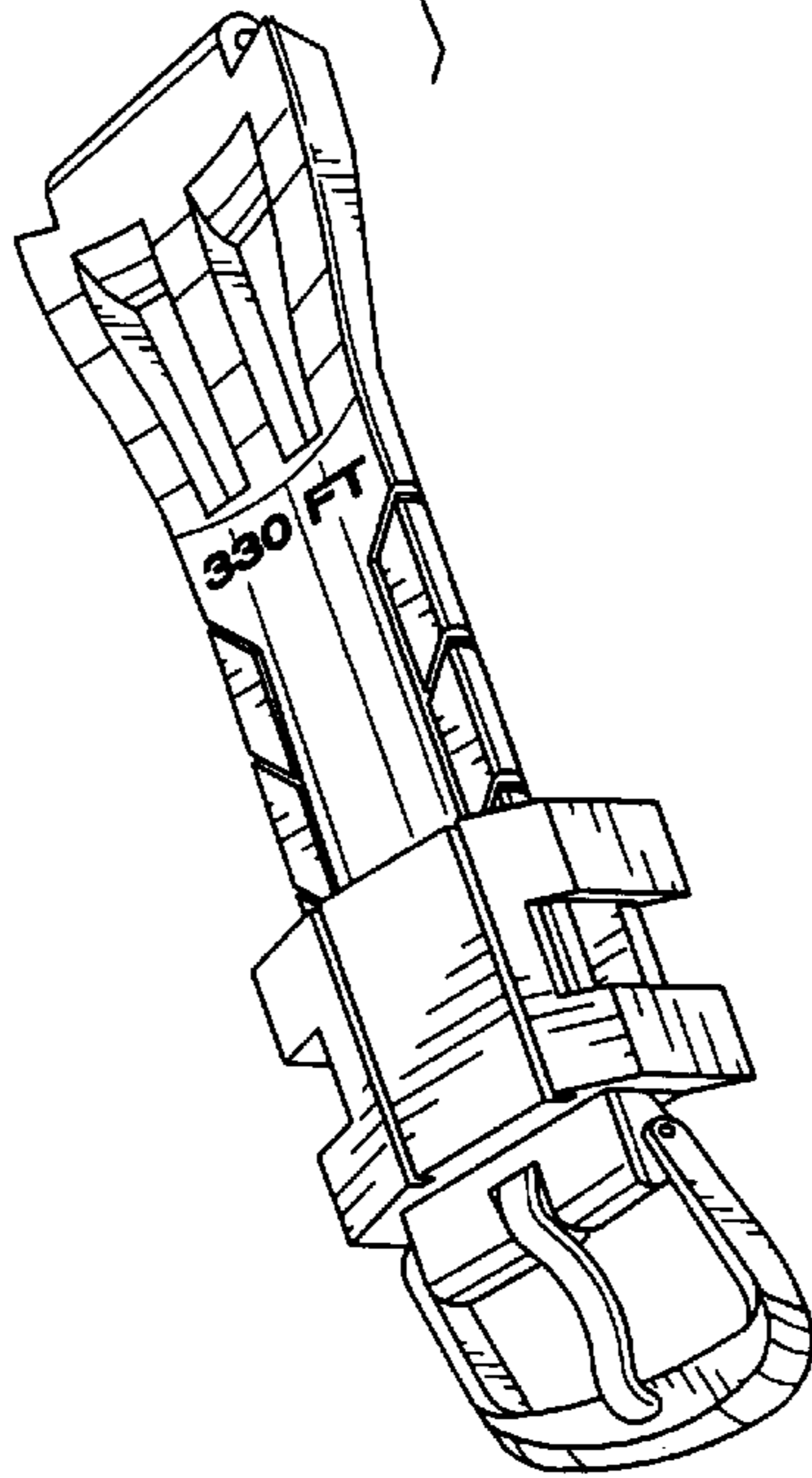


FIG. 2

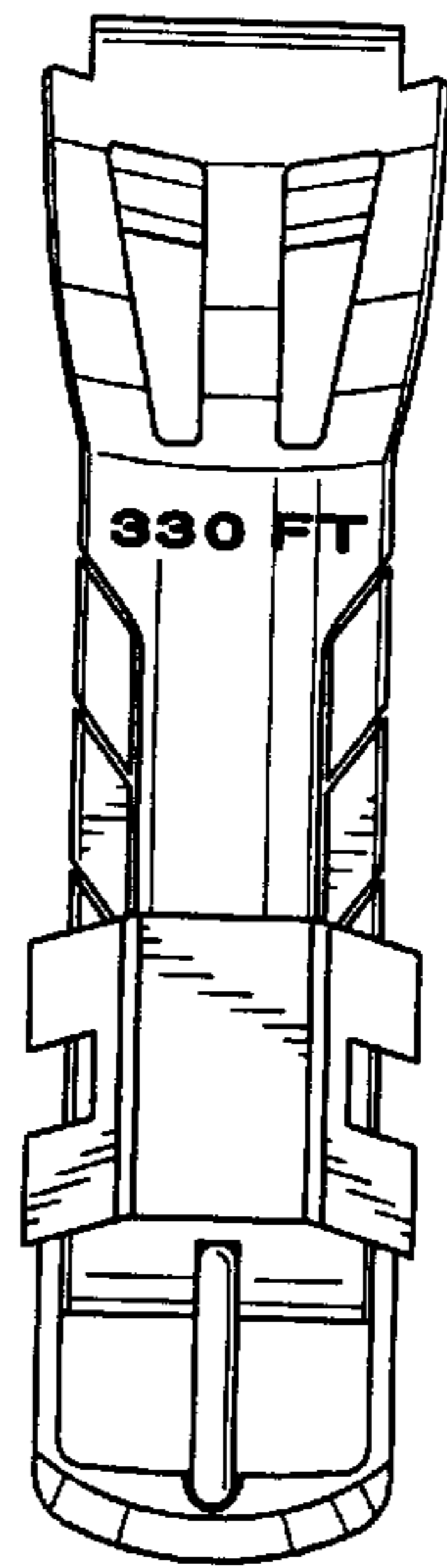
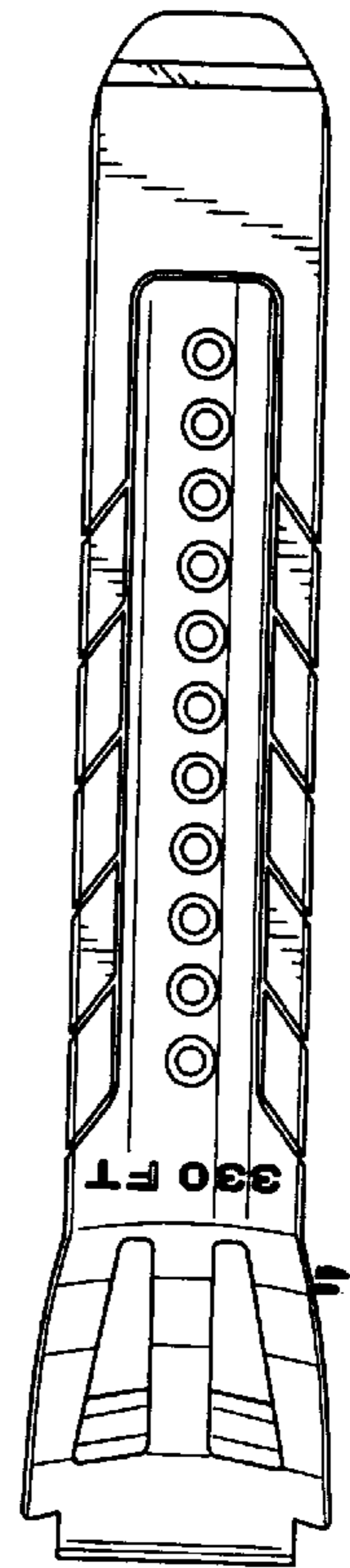


FIG. 3

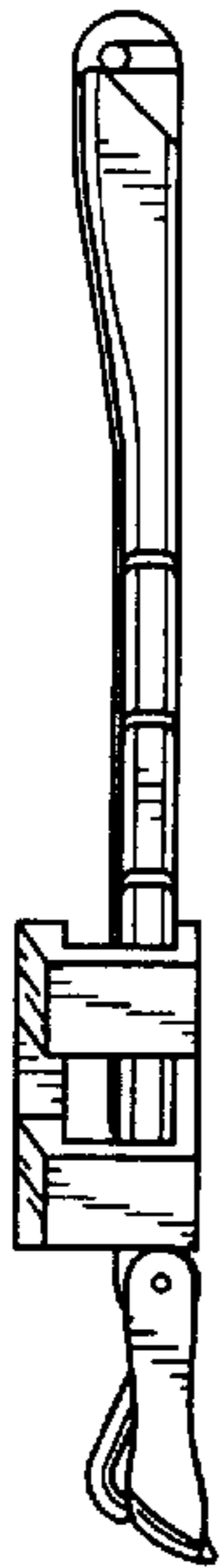


FIG. 4

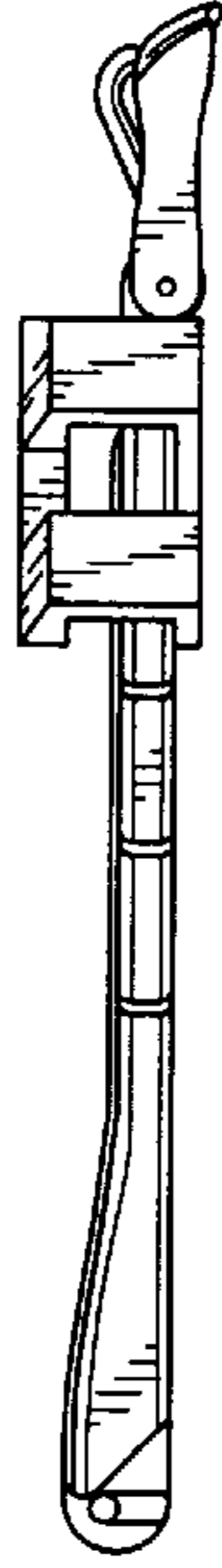
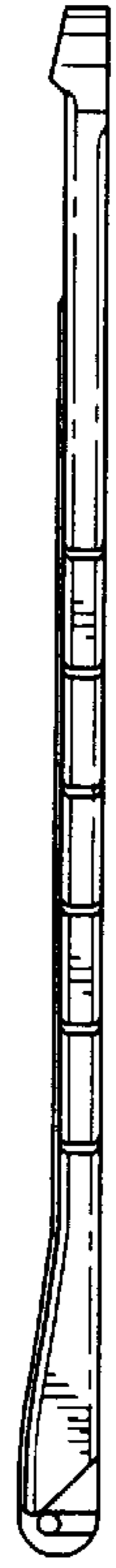


FIG. 5

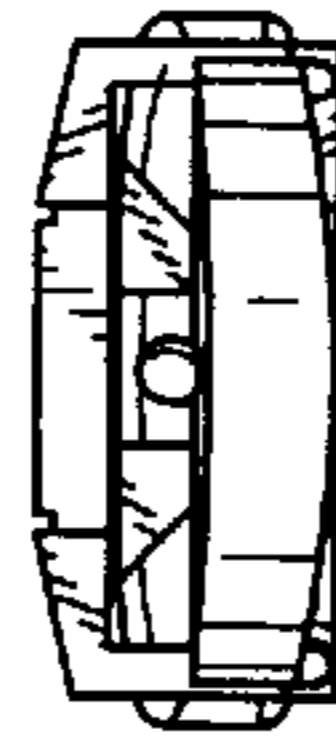


FIG. 6

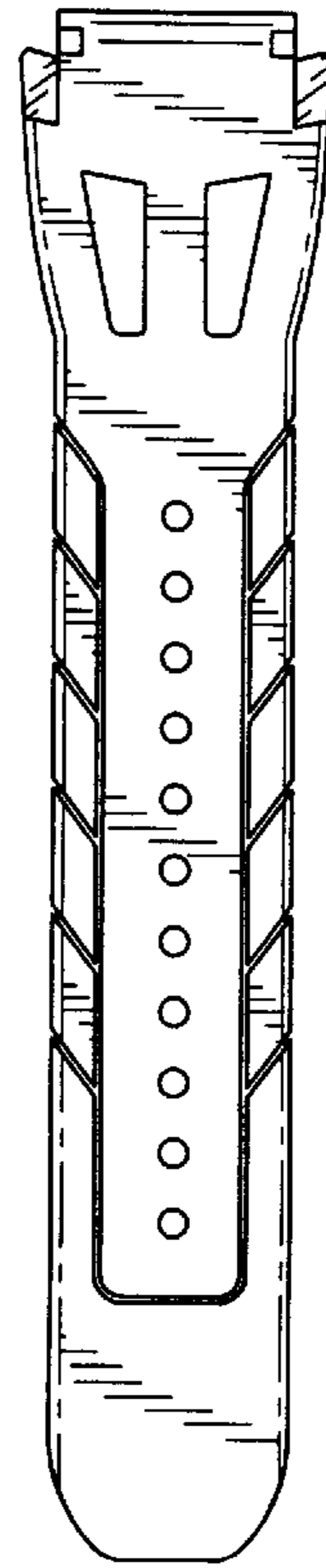


FIG. 7

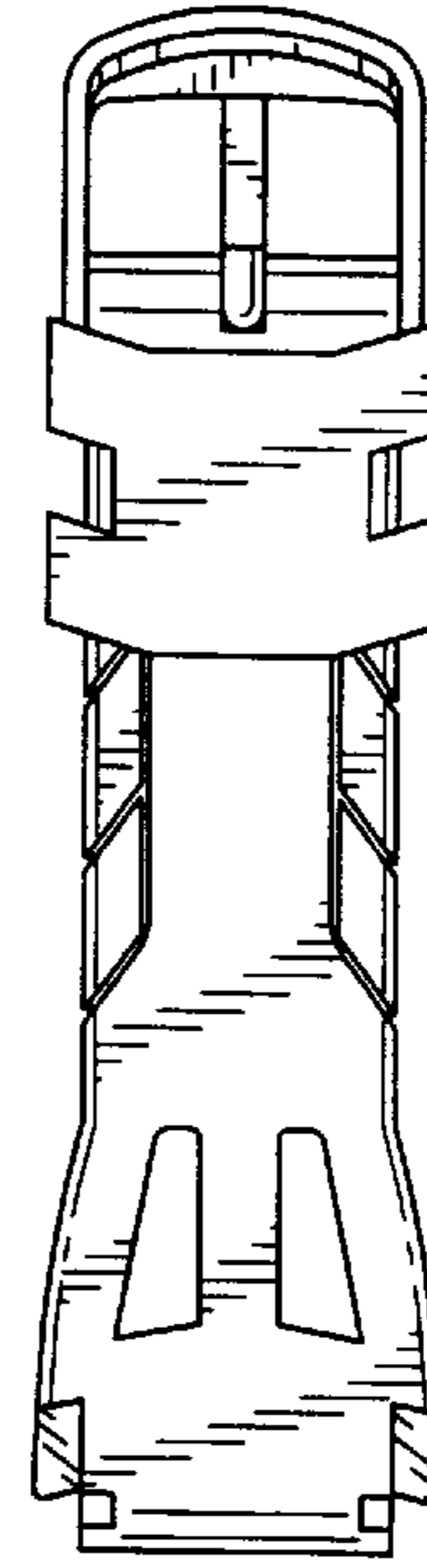


FIG. 8