



US00D409939S

# United States Patent [19] Sharp et al.

[11] Patent Number: **Des. 409,939**

[45] Date of Patent: **\*\* May 18, 1999**

[54] **WHISTLE**

[75] Inventors: **Michael C. Sharp**, Solihull; **Simon M. Topman**, Little Aston, both of United Kingdom

[73] Assignee: **J. Hudson & Co. (Whistles) Ltd.**, United Kingdom

[\*\*] Term: **14 Years**

[21] Appl. No.: **29/090,966**

[22] Filed: **Jul. 21, 1998**

[51] **LOC (6) Cl.** ..... **10-05**

[52] **U.S. Cl.** ..... **D10/119**

[58] **Field of Search** ..... D10/104, 116, D10/119, 120, 121; 446/202, 204, 212, 213, 214, 215, 216; 116/137 R, 141, 142 R

[56] **References Cited**

**U.S. PATENT DOCUMENTS**

- D. 102,543 12/1936 Butterfield ..... D10/119
- D. 199,878 12/1964 Mulligan ..... D10/119
- D. 228,933 10/1973 Forrest ..... D10/119

- D. 266,407 10/1982 Nagel ..... D10/119
- D. 266,492 10/1982 Oppermann, Sr. et al. .... D10/119
- D. 279,461 7/1985 Zafreniere et al. .... D10/119
- D. 291,421 8/1987 Zance ..... D10/119
- 4,821,670 4/1989 Foxcroft et al. .
- 5,086,726 2/1992 Sharp .

*Primary Examiner*—Marcus A. Jackson  
*Attorney, Agent, or Firm*—Welsh & Katz, Ltd.

[57] **CLAIM**

The ornamental design for a whistle, as shown and described.

**DESCRIPTION**

FIG. 1 is a perspective view of a whistle in accordance with our new design;  
FIG. 2 is a side elevational view thereof, the opposite side being substantially identical;  
FIG. 3 is a top plan view thereof;  
FIG. 4 is a bottom view thereof;  
FIG. 5 is a front elevational view thereof;  
FIG. 6 is a rear elevational view thereof; and,  
FIG. 7 is a perspective view of a modified embodiment of the whistle in accordance with our design.

**1 Claim, 1 Drawing Sheet**

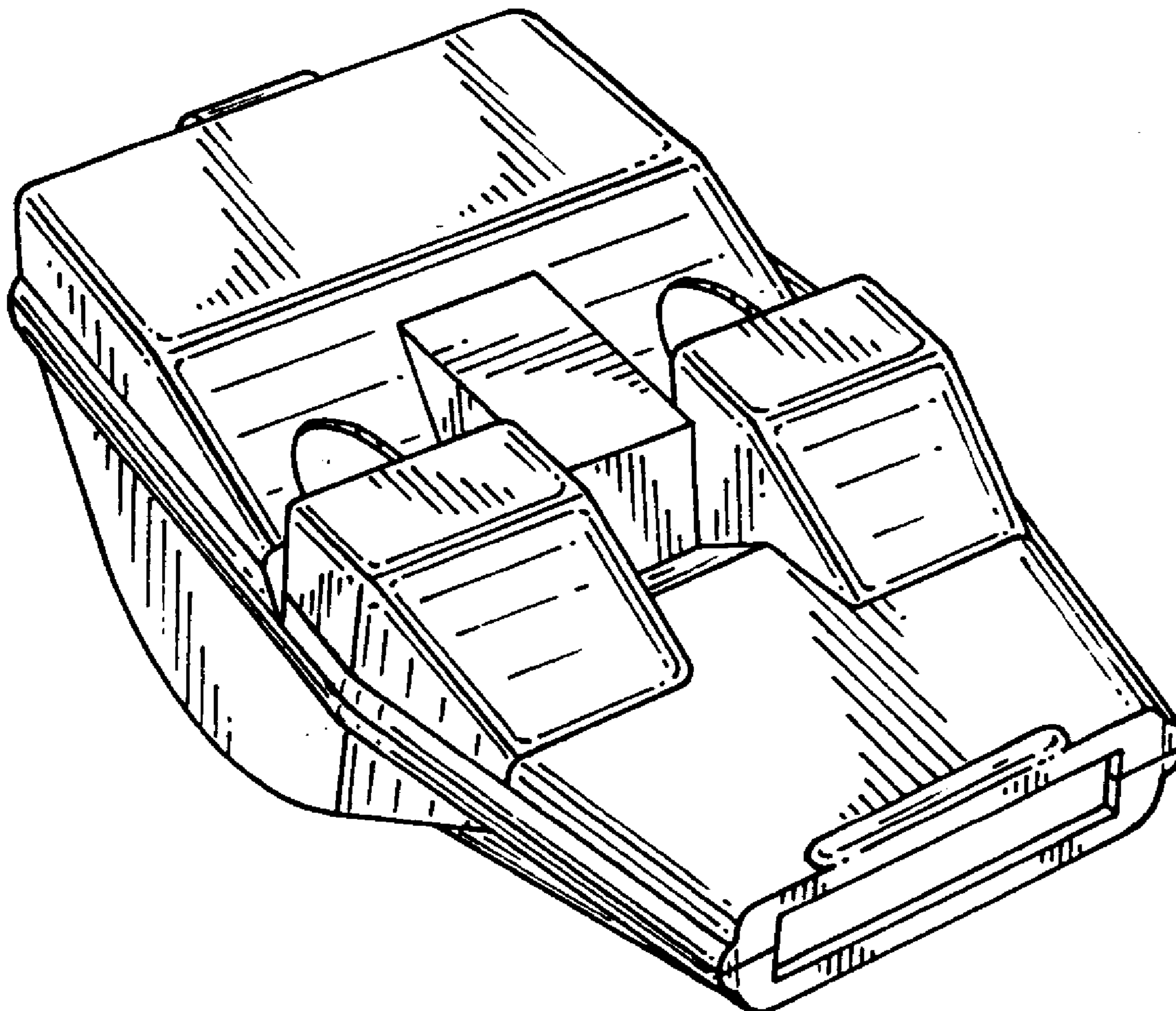


FIG. 1

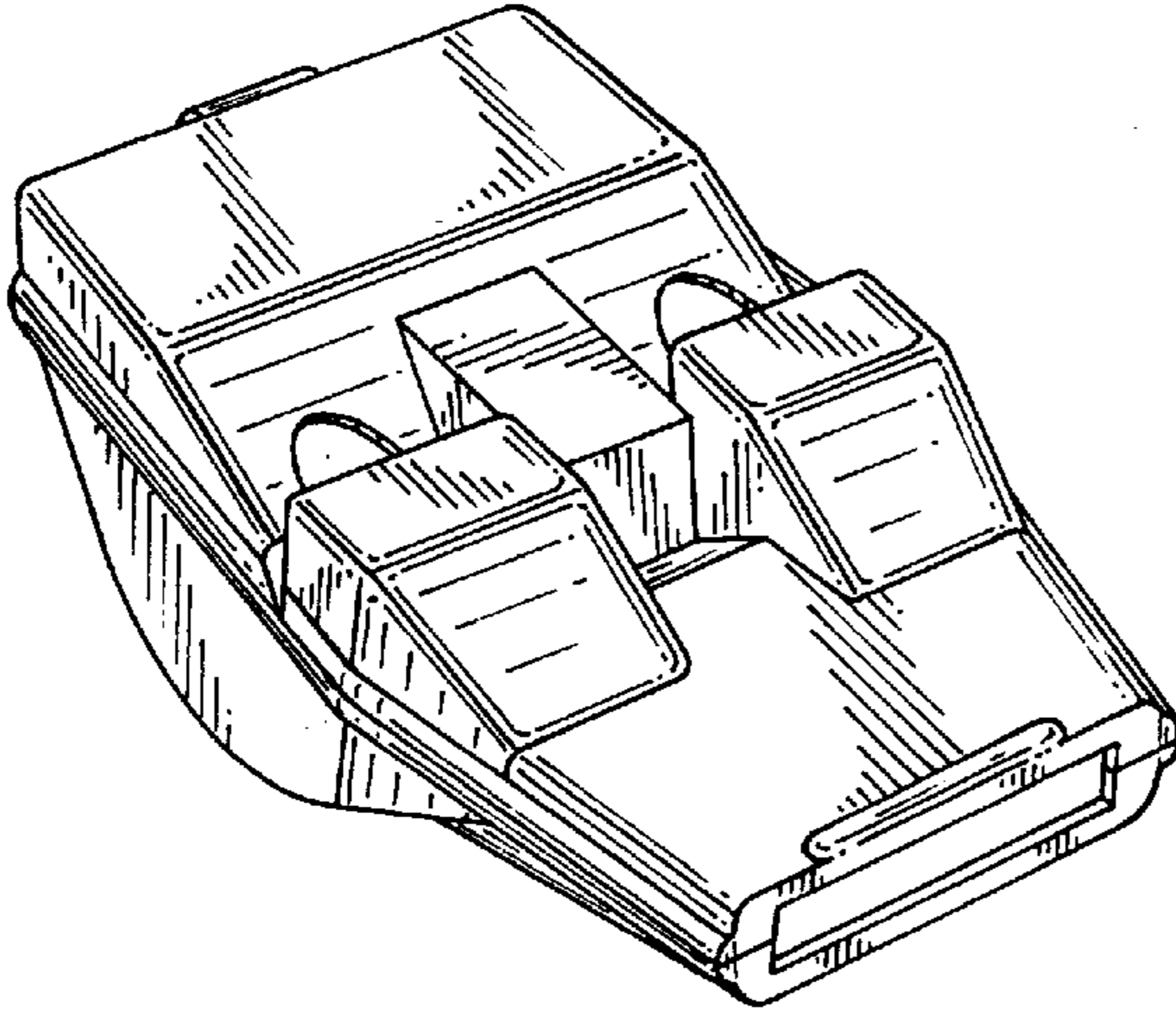


FIG. 2

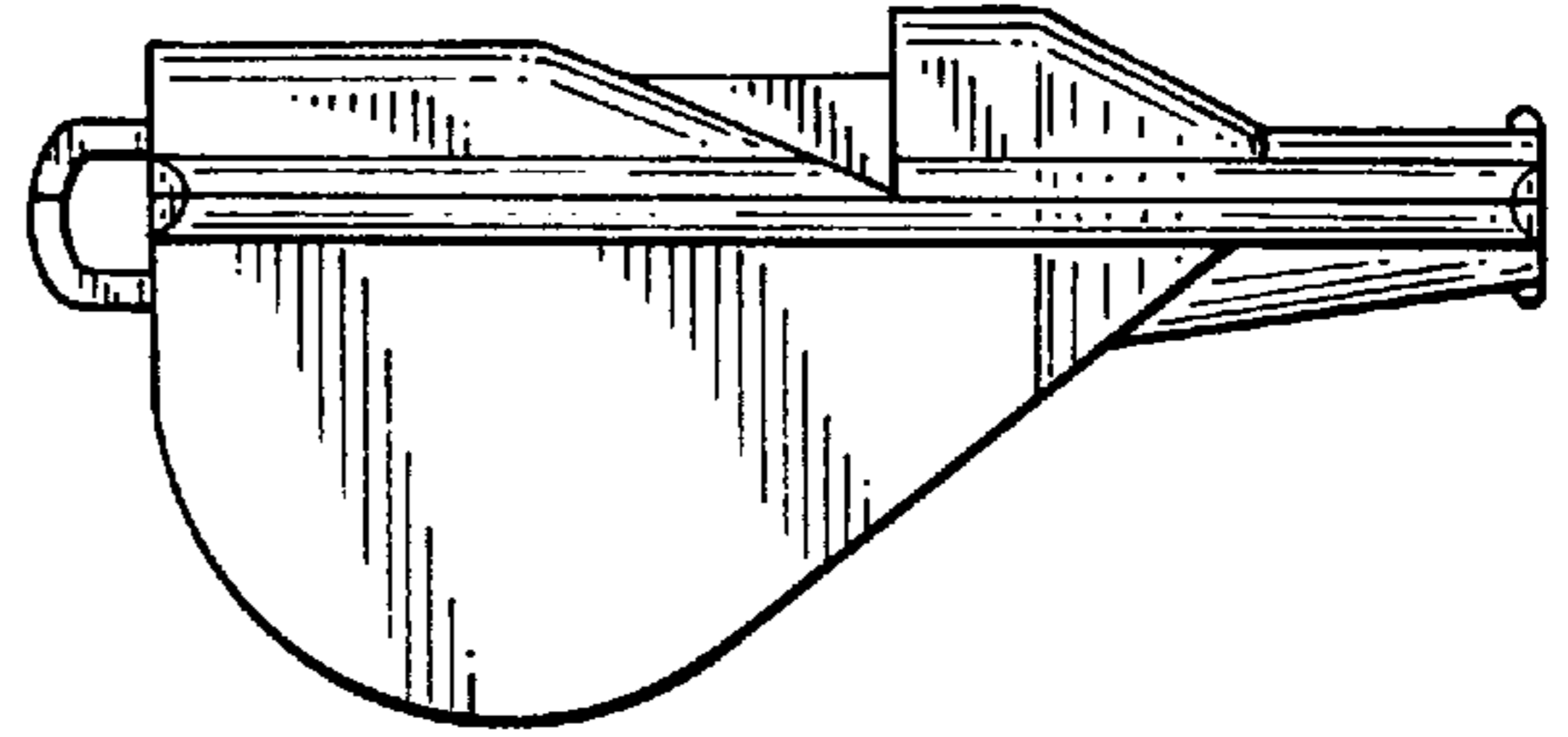


FIG. 4

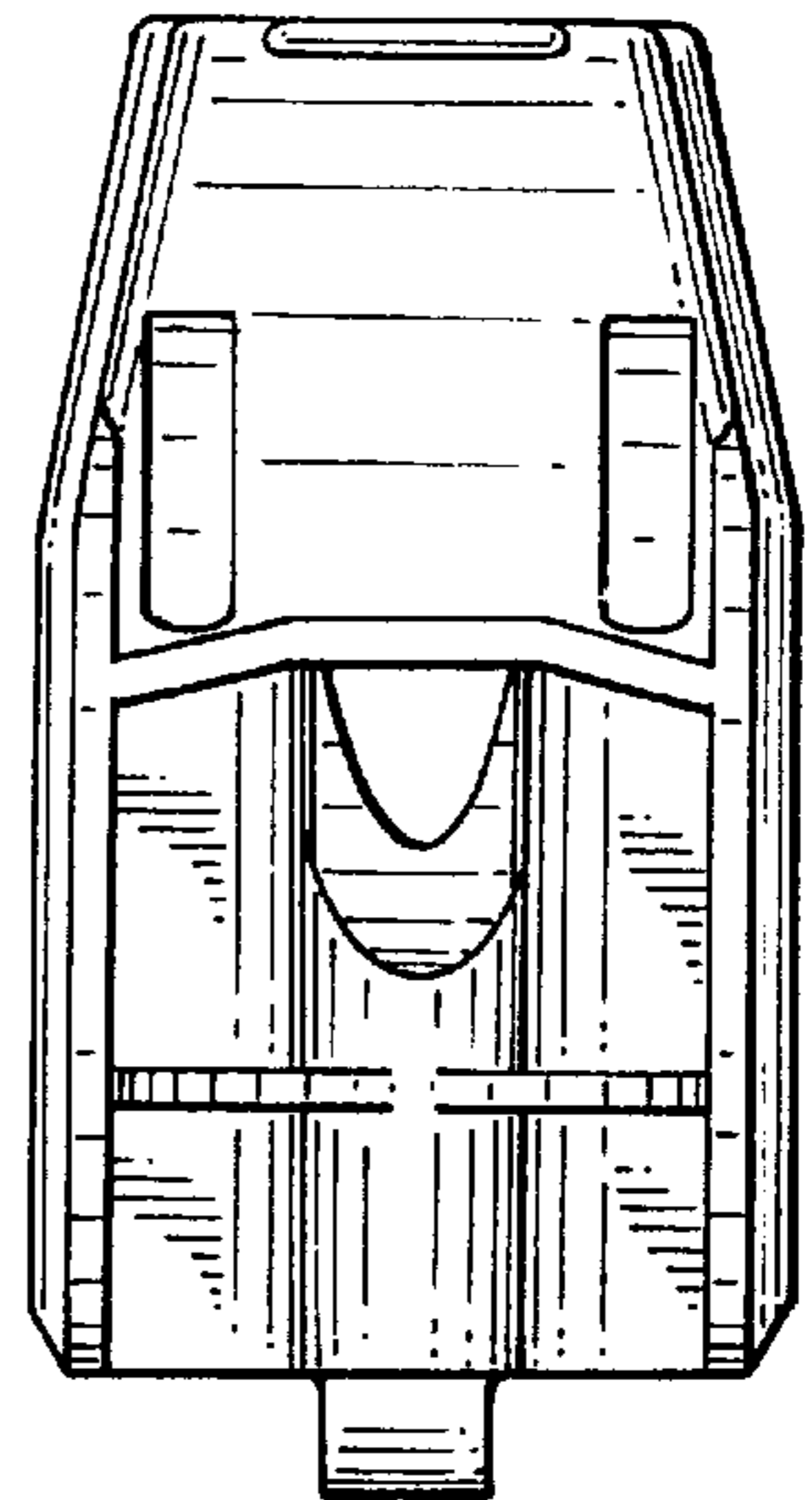


FIG. 3

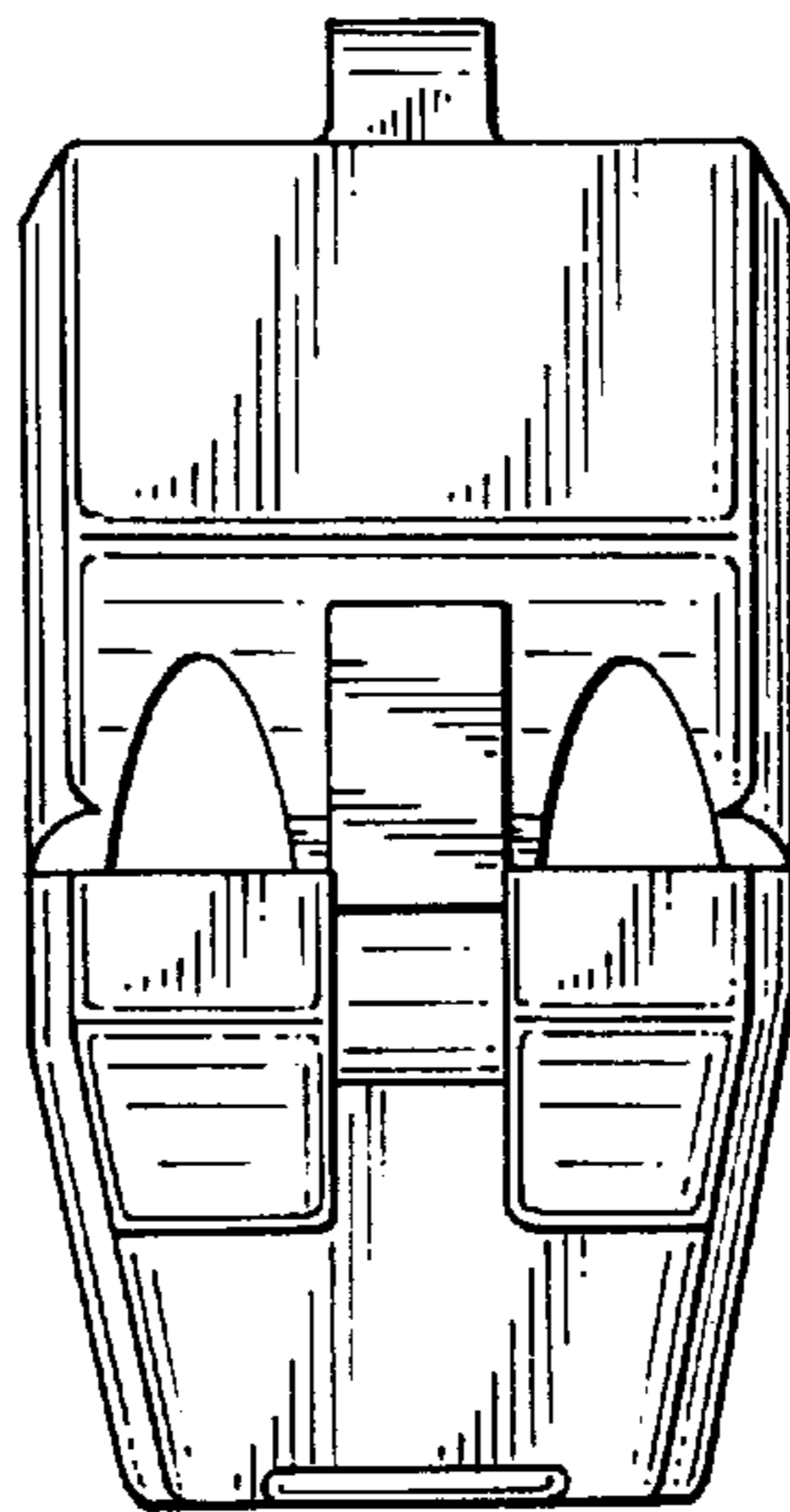


FIG. 5

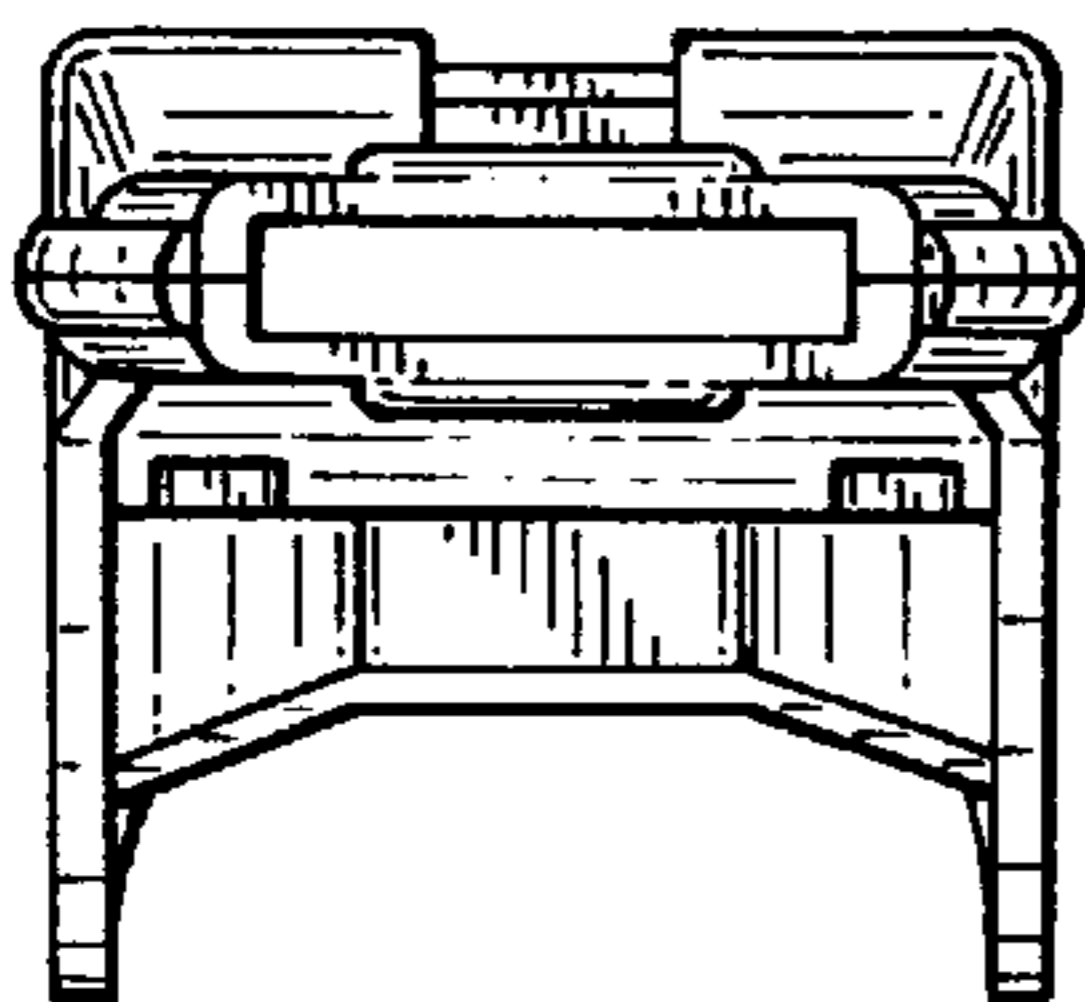


FIG. 7

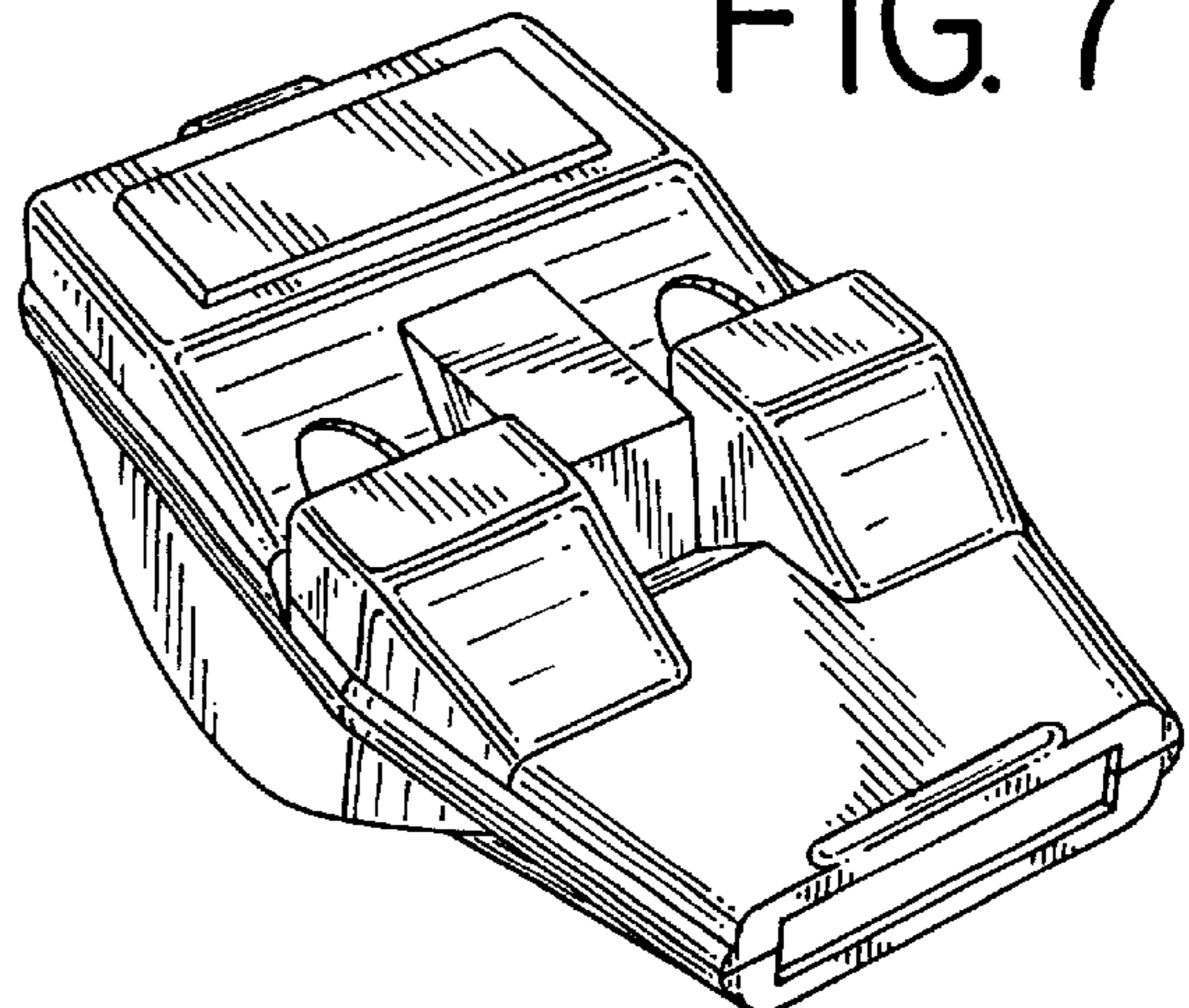


FIG. 6

