



US00D409936S

# United States Patent [19]

Baldwin et al.

[11] Patent Number: **Des. 409,936**

[45] Date of Patent: **\*\* May 18, 1999**

[54] **LOW PROFILE PASSIVE INFRARED SENSOR**

D. 383,078 9/1997 Carmi ..... D10/106  
D. 399,155 10/1998 Roberts ..... D10/106

[75] Inventors: **John R. Baldwin**, Newtown; **Thomas J. Batko**, Wallingford; **David Ellison**, Westport, all of Conn.

*Primary Examiner*—Marcus A. Jackson  
*Attorney, Agent, or Firm*—Jerry M. Presson; William C. Roch

[73] Assignee: **Hubbell Incorporated**, Orange, Conn.

[57] **CLAIM**

[\*\*] Term: **14 Years**

The ornamental design for a low profile passive infrared sensor, as shown and described.

[21] Appl. No.: **29/090,079**

**DESCRIPTION**

[22] Filed: **Jun. 29, 1998**

[51] **LOC (6) Cl.** ..... **10-05**

[52] **U.S. Cl.** ..... **D10/106**

[58] **Field of Search** ..... D10/104, 106,  
D10/116, 121; 340/500, 506, 540, 541,  
545, 573, 574, 575, 576, 577, 578, 579,  
589, 600, 693

FIG. 1 is a front perspective view of the low profile passive infrared sensor of the present invention.

FIG. 2 is a right side elevational view of the low profile passive infrared sensor, with a left side elevational view being symmetrically identical therewith.

FIG. 3 is a top plan view of the low profile passive infrared sensor; and,

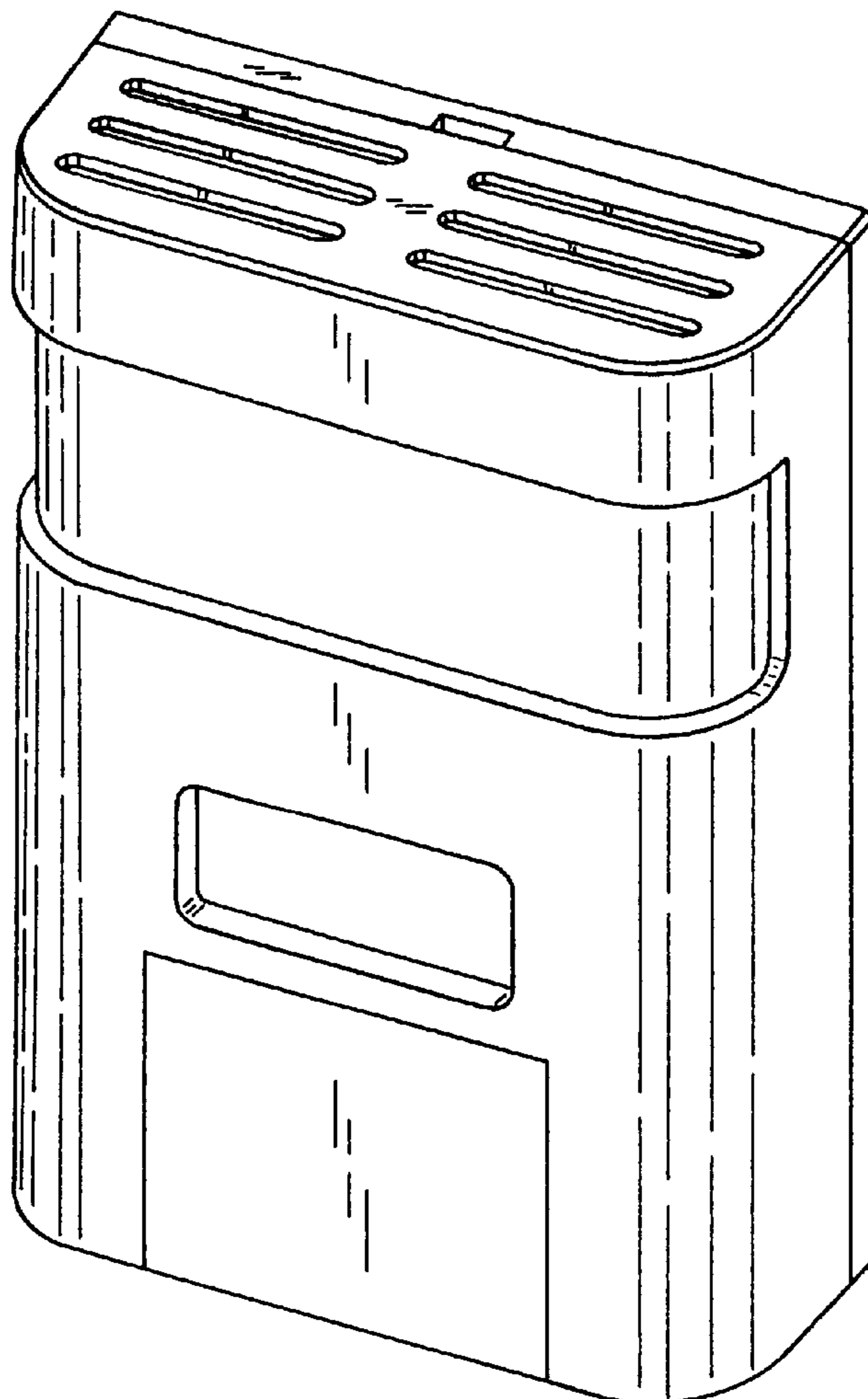
FIG. 4 is a bottom plan view of the low profile passive sensor.

[56] **References Cited**

**U.S. PATENT DOCUMENTS**

D. 381,283 7/1997 Soreo ..... D10/106

**1 Claim, 1 Drawing Sheet**



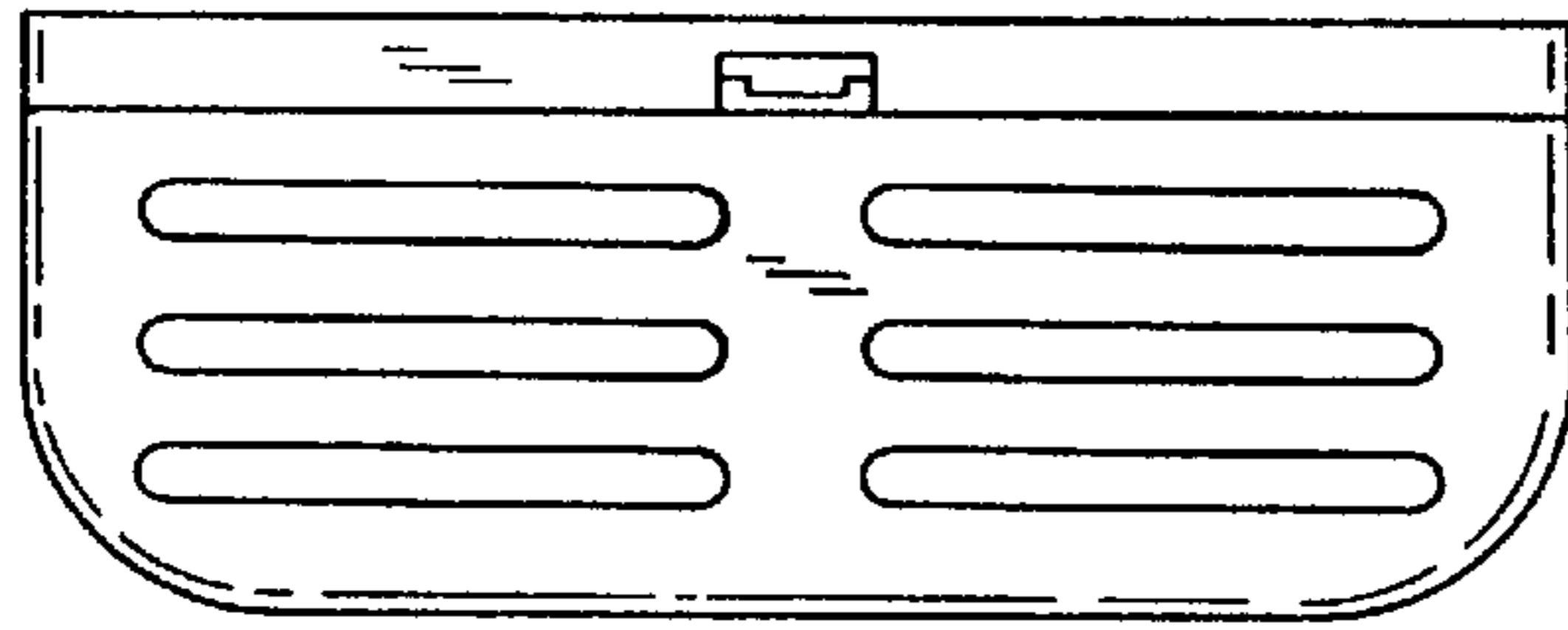


FIG. 3

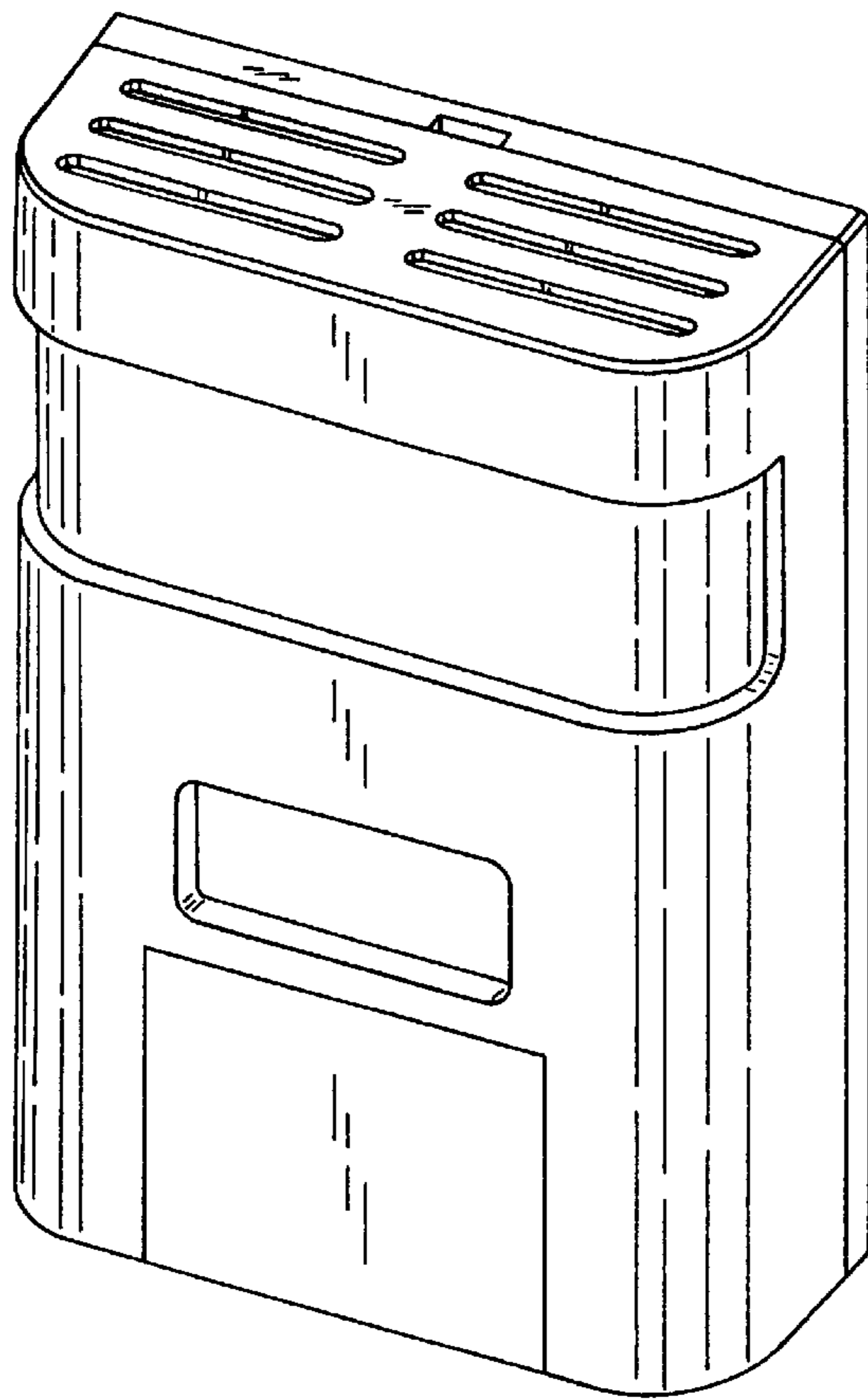


FIG. 1

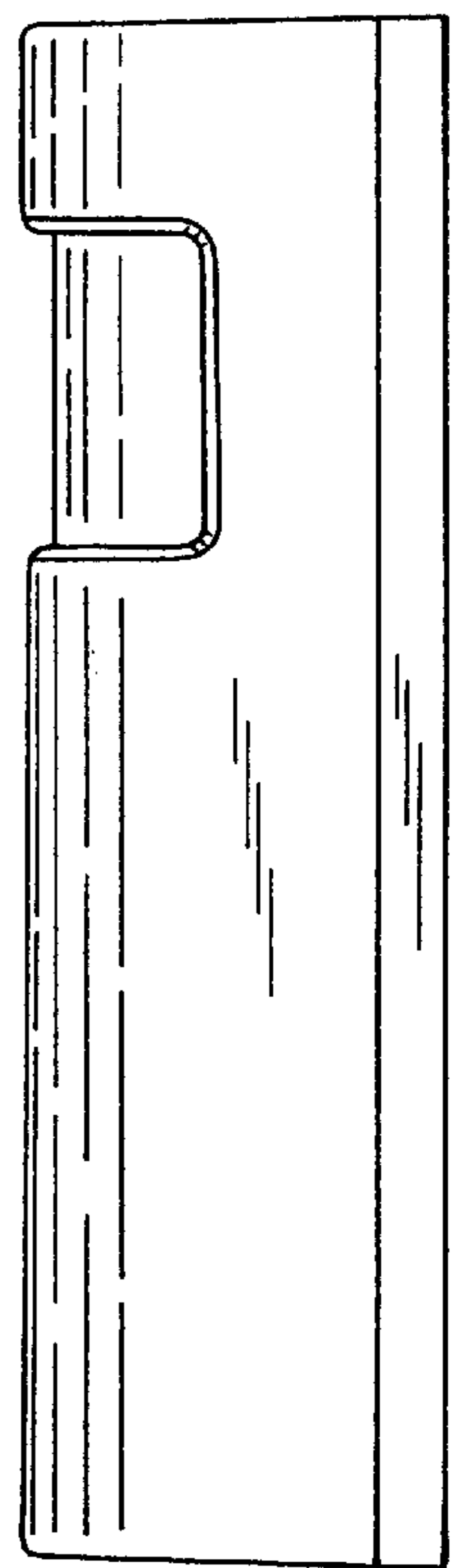


FIG. 2

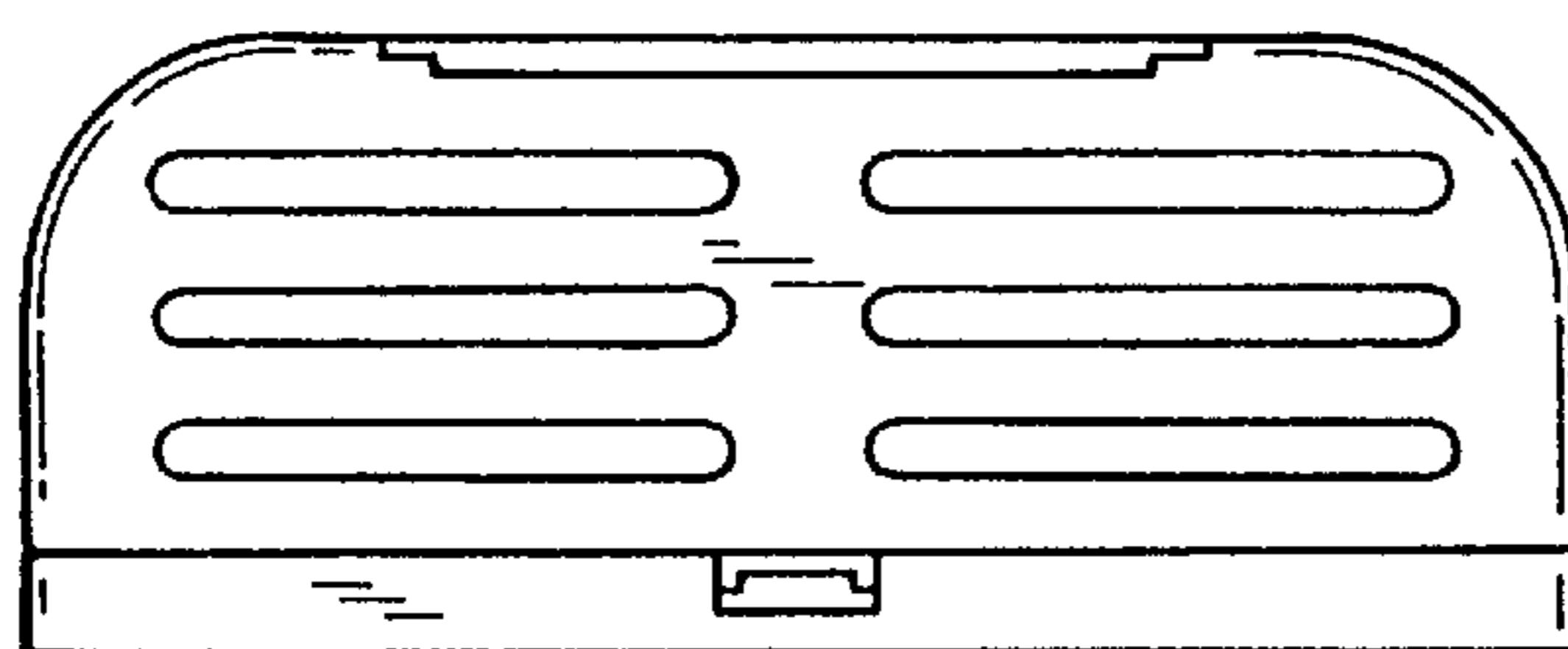


FIG. 4