



US00D409912S

United States Patent [19]
Brennan

[11] **Patent Number: Des. 409,912**

[45] **Date of Patent: ** May 18, 1999**

[54] **PAINT CAN HANDLE**

[76] Inventor: **Robert D. Brennan**, 809 Carrington Rd., Bethany, Conn. 06524

[**] Term: **14 Years**

[21] Appl. No.: **29/077,859**

[22] Filed: **Oct. 10, 1997**

[51] **LOC (6) Cl.** **09-07**

[52] **U.S. Cl.** **D9/434**

[58] **Field of Search** D9/434; D7/393, D7/395; D8/300, DIG. 9, DIG. 10; 16/114 A; 220/694, 696, 699-702; 294/2, 31.1, 31.2, 27.1, 33

[56] **References Cited**

U.S. PATENT DOCUMENTS

D. 96,002	6/1935	Amrine	D7/395
D. 279,161	6/1985	Gould	D7/393
D. 326,793	6/1992	Ernster	D7/395
D. 326,980	6/1992	Lin	D7/395
1,943,585	1/1934	Cummins et al.	16/114 A

2,572,694	10/1951	Brennan	220/696
2,784,996	3/1957	Schaefer	294/27.1
3,113,799	12/1963	Budnik	294/33 X
3,297,349	1/1967	Pryce	294/2

Primary Examiner—Doris V. Coles
Assistant Examiner—Cathron B. Matta
Attorney, Agent, or Firm—Alix, Yale & Ristas, LLP

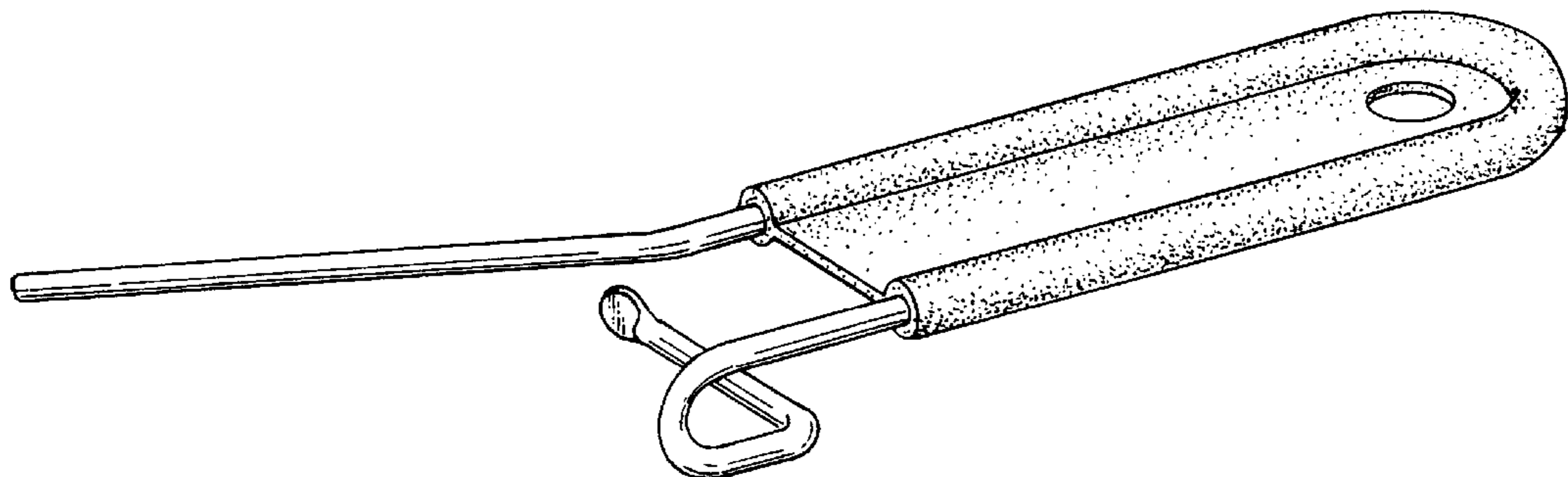
[57] **CLAIM**

The ornamental design for a paint can handle, as shown and described.

DESCRIPTION

FIG. 1 is a top plan view of the paint can handle in accordance with my invention;
FIG. 2 is a front side view thereof;
FIG. 3 is a bottom plan view thereof;
FIG. 4 is a rear side view thereof;
FIG. 5 is a left end view thereof;
FIG. 6 is a right end view thereof; and,
FIG. 7 is a perspective view thereof.

1 Claim, 3 Drawing Sheets



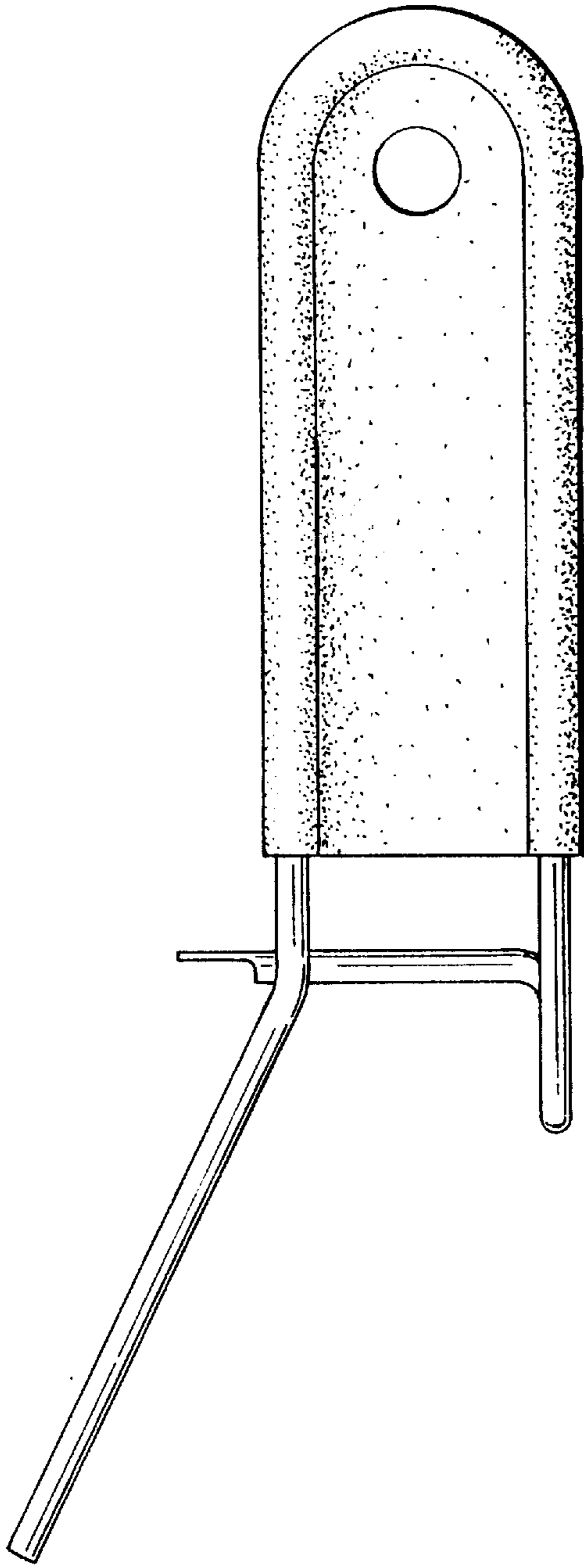


FIG. 1

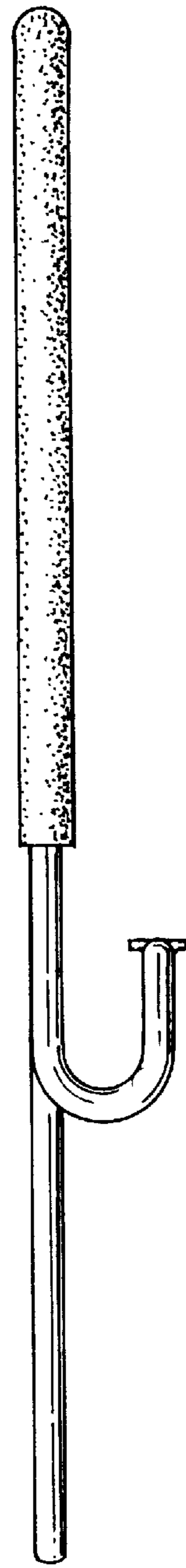


FIG. 2

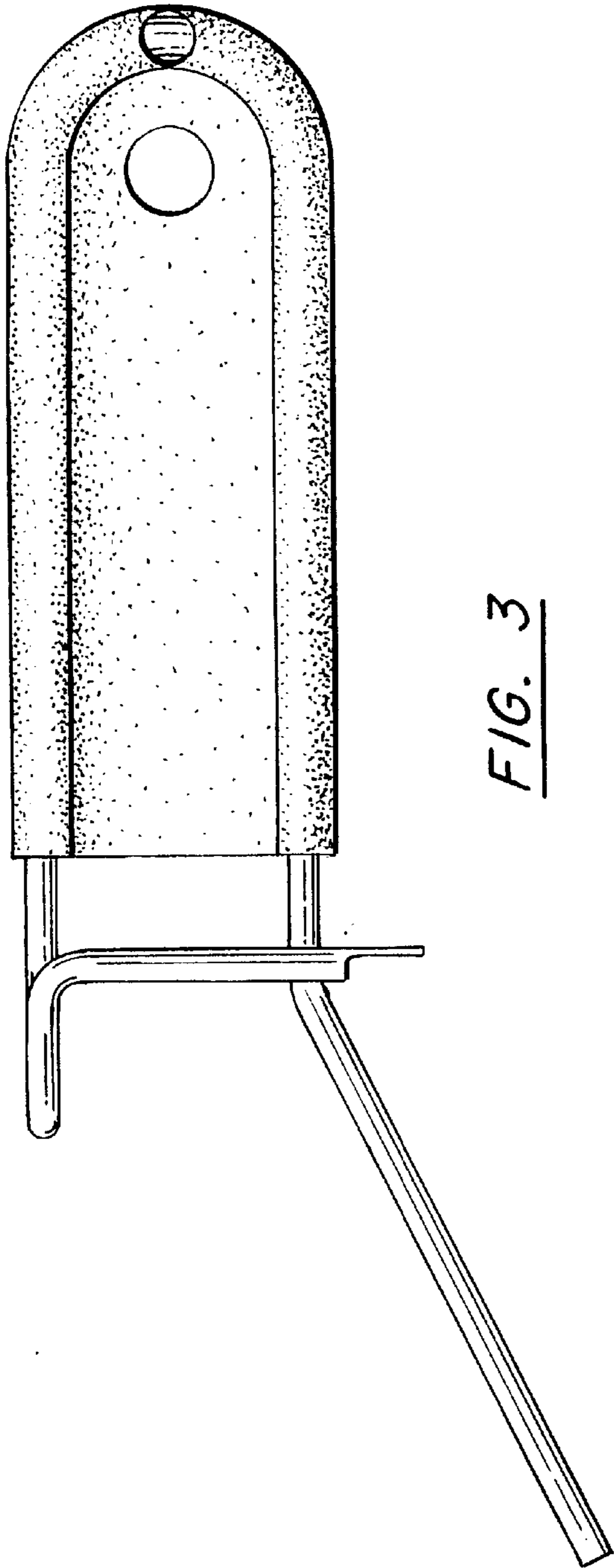


FIG. 3

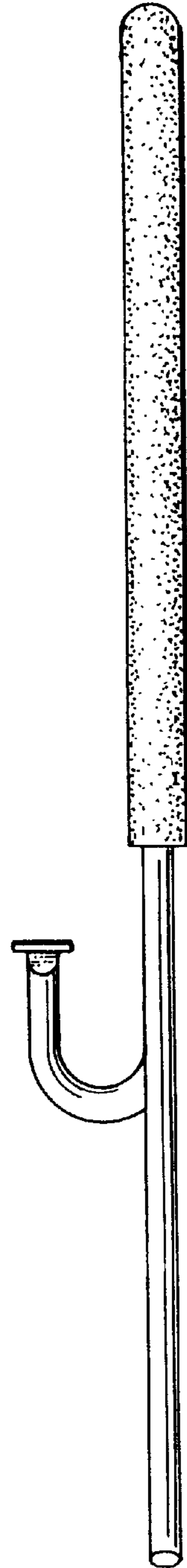


FIG. 4

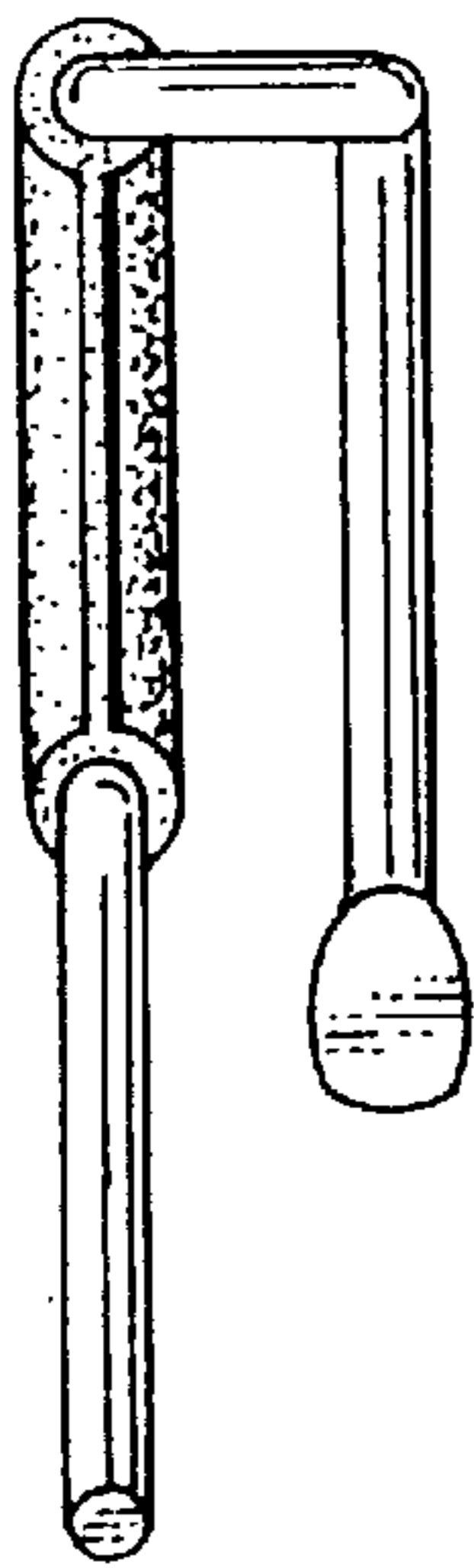


FIG. 5

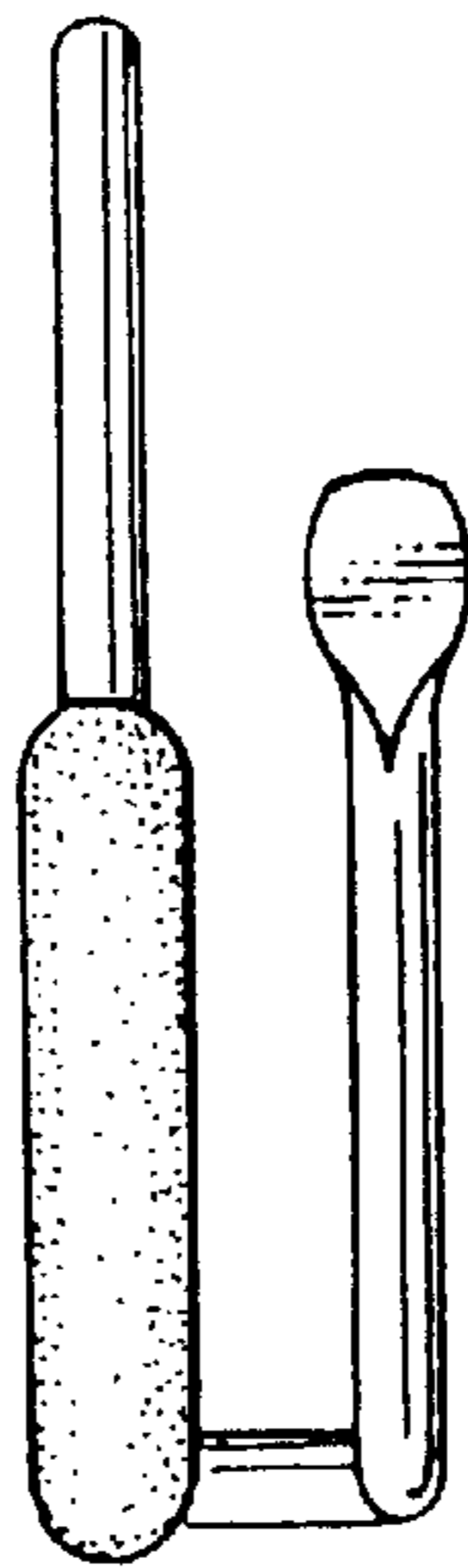


FIG. 6

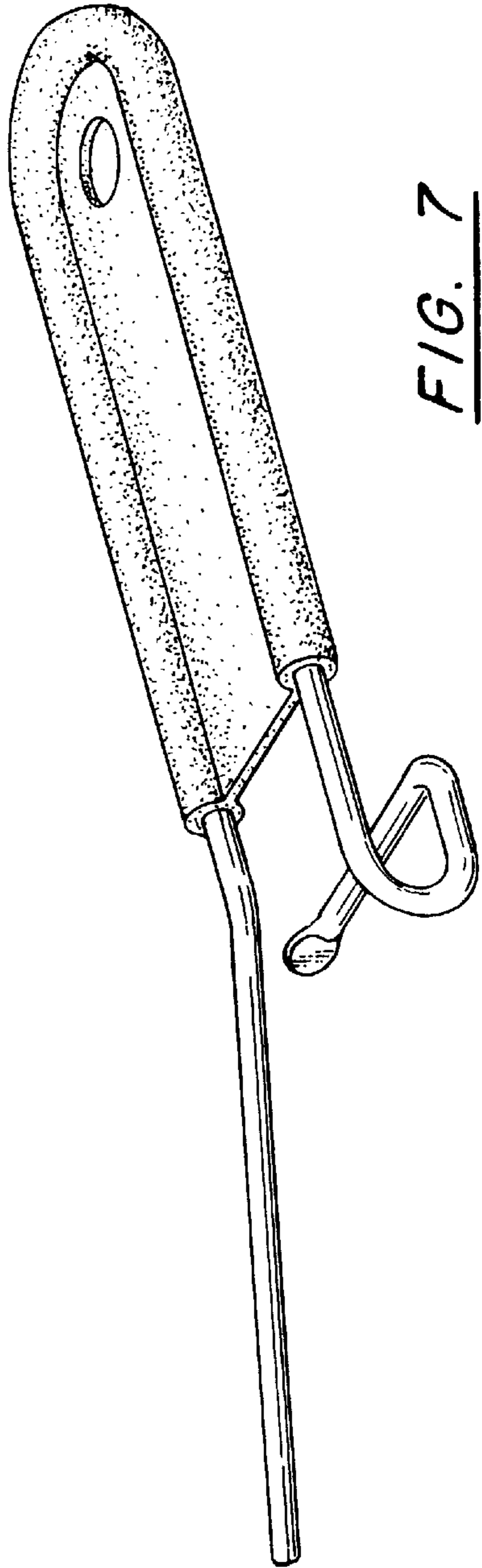


FIG. 7