



US00D409911S

United States Patent [19] Guillin

[11] Patent Number: **Des. 409,911**

[45] Date of Patent: **** May 18, 1999**

[54] **FOOD BOX**

[75] Inventor: **Francois Guillin**, Mouthier Haute Pierre, France

[73] Assignee: **Groupe Guillin (Societe Anonyme)**, Ornans, France

[**] Term: **14 Years**

[21] Appl. No.: **29/075,242**

[22] Filed: **Aug. 27, 1997**

[30] **Foreign Application Priority Data**

Mar. 5, 1997 [XH] Hague Agreement DM/039 433

[51] **LOC (6) Cl.** **09-07**

[52] **U.S. Cl.** **D9/430; D9/425**

[58] **Field of Search** D9/420-426, 430, D9/431, 337, 414; D7/629; 206/541, 551, 508, 518, 521, 523, 524, 822, 775-778; 229/408, 407, 902, 905, 906, 938, 915, 115, 116; 220/337, 376, 675, 4.21-4.24

[56] **References Cited**

U.S. PATENT DOCUMENTS

- D. 309,105 7/1990 Fisher et al. D9/425
- D. 312,423 11/1990 Orlinsky et al. D9/430 X
- D. 314,145 1/1991 Niemetz D9/418
- D. 375,259 11/1996 Whitehead D9/420 X
- D. 376,758 12/1996 Bradfield D9/430

- 3,620,411 11/1971 Rump 229/406 X
- 4,244,470 1/1981 Burnham 220/4.23 X
- 4,947,993 8/1990 Bruml et al. 206/551
- 5,269,430 12/1993 Schlaupitz et al. 220/339 X

OTHER PUBLICATIONS

Tenneco Packaging Cat, p. 102, 1996.
Modern Packaging Cat, p. 318, 1967.

Primary Examiner—Prabhakar G. Deshmukh
Attorney, Agent, or Firm—Young & Thompson

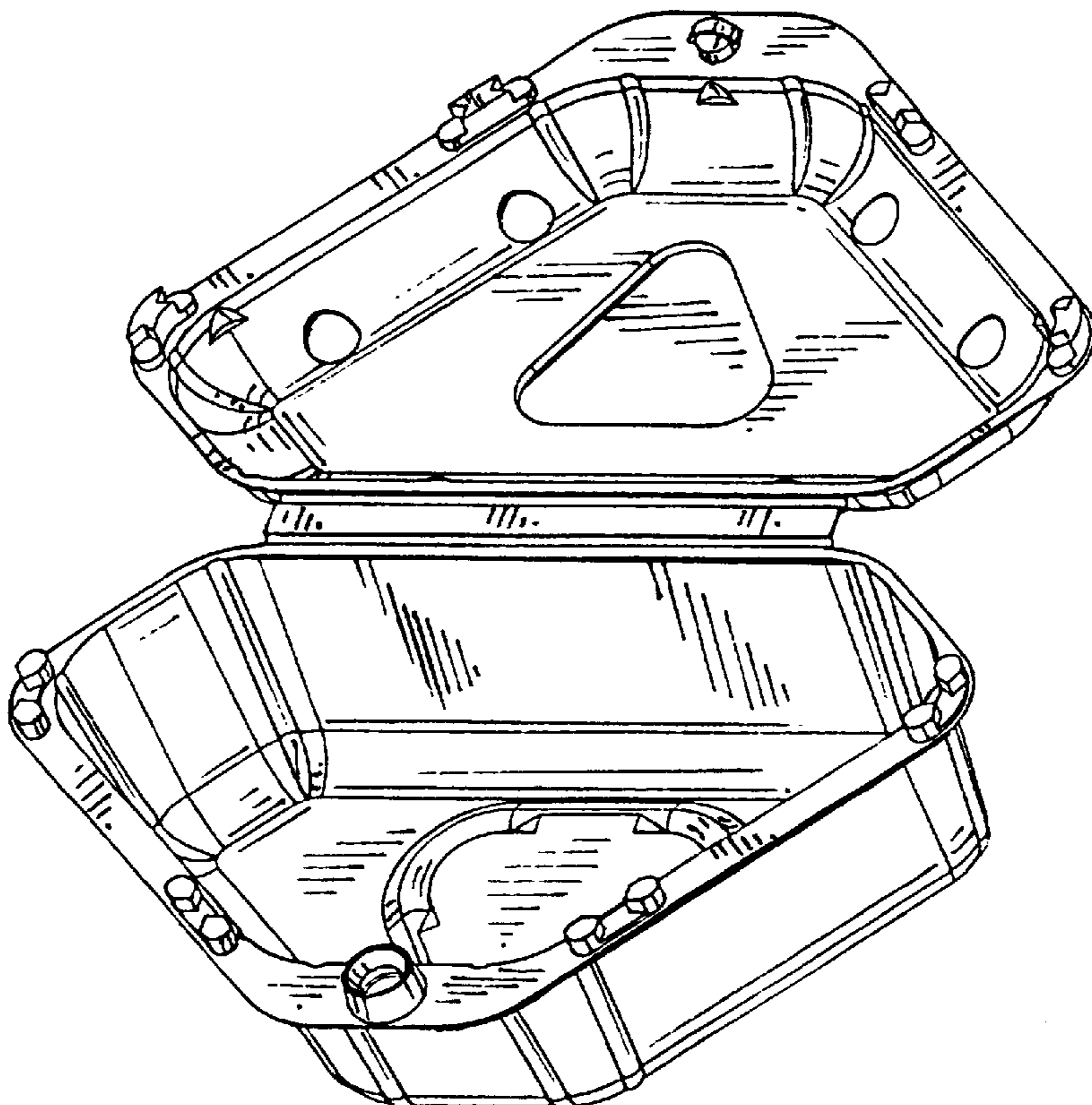
[57] **CLAIM**

The ornamental design for a food box, as shown and described.

DESCRIPTION

FIG. 1 is a perspective view of a food box showing my new design, with a hinged lid open;
 FIG. 2 is a top plan view thereof;
 FIG. 3 is a bottom plan view thereof;
 FIG. 4 is a side elevational view thereof from the left of FIG. 2;
 FIG. 5 is a side elevational view thereof from the right of FIG. 2;
 FIG. 6 is a side elevational view thereof from the bottom of FIG. 2; and,
 FIG. 7 is a side elevational view thereof from the top of FIG. 2.

1 Claim, 3 Drawing Sheets



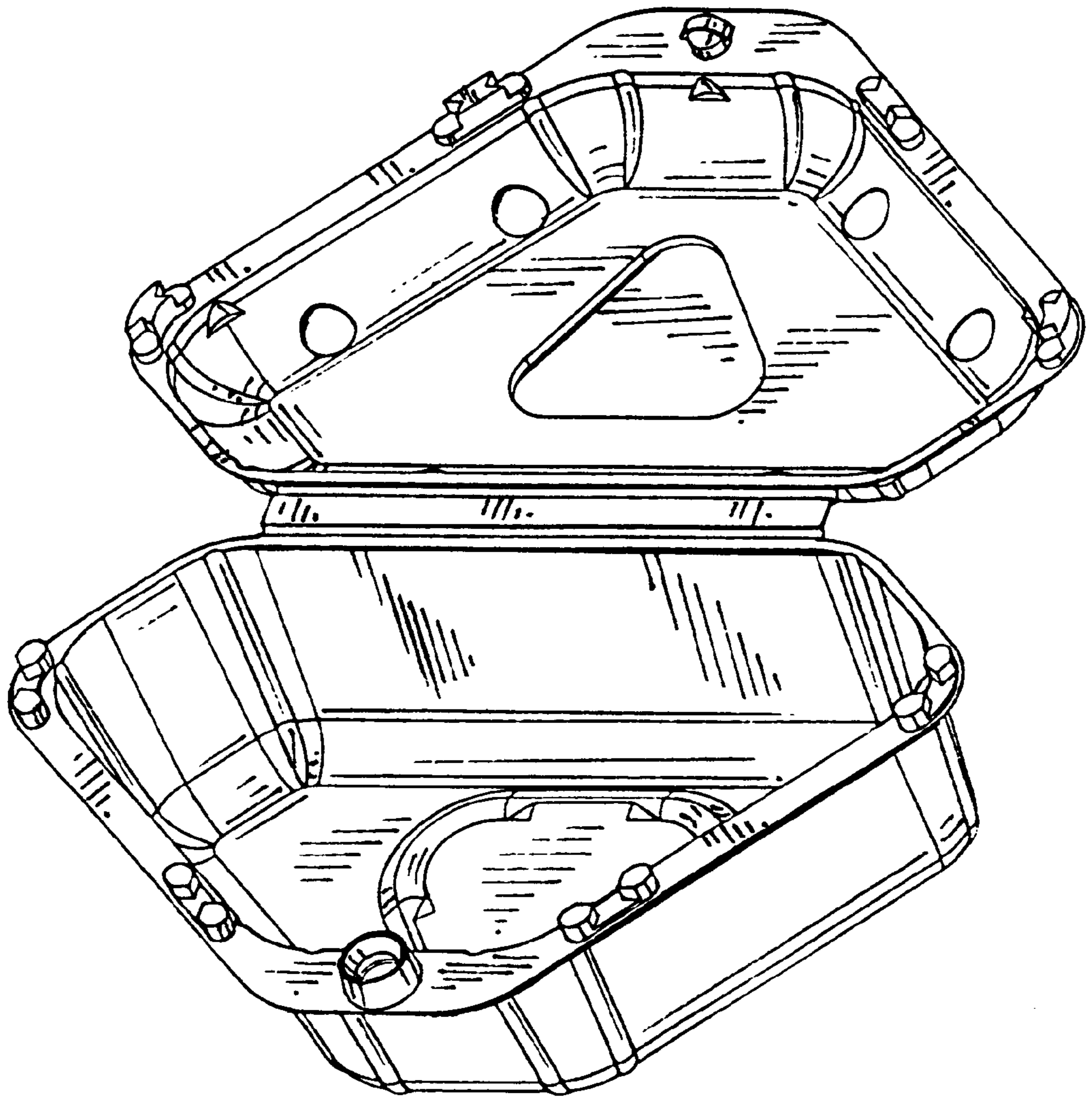


FIG. 1

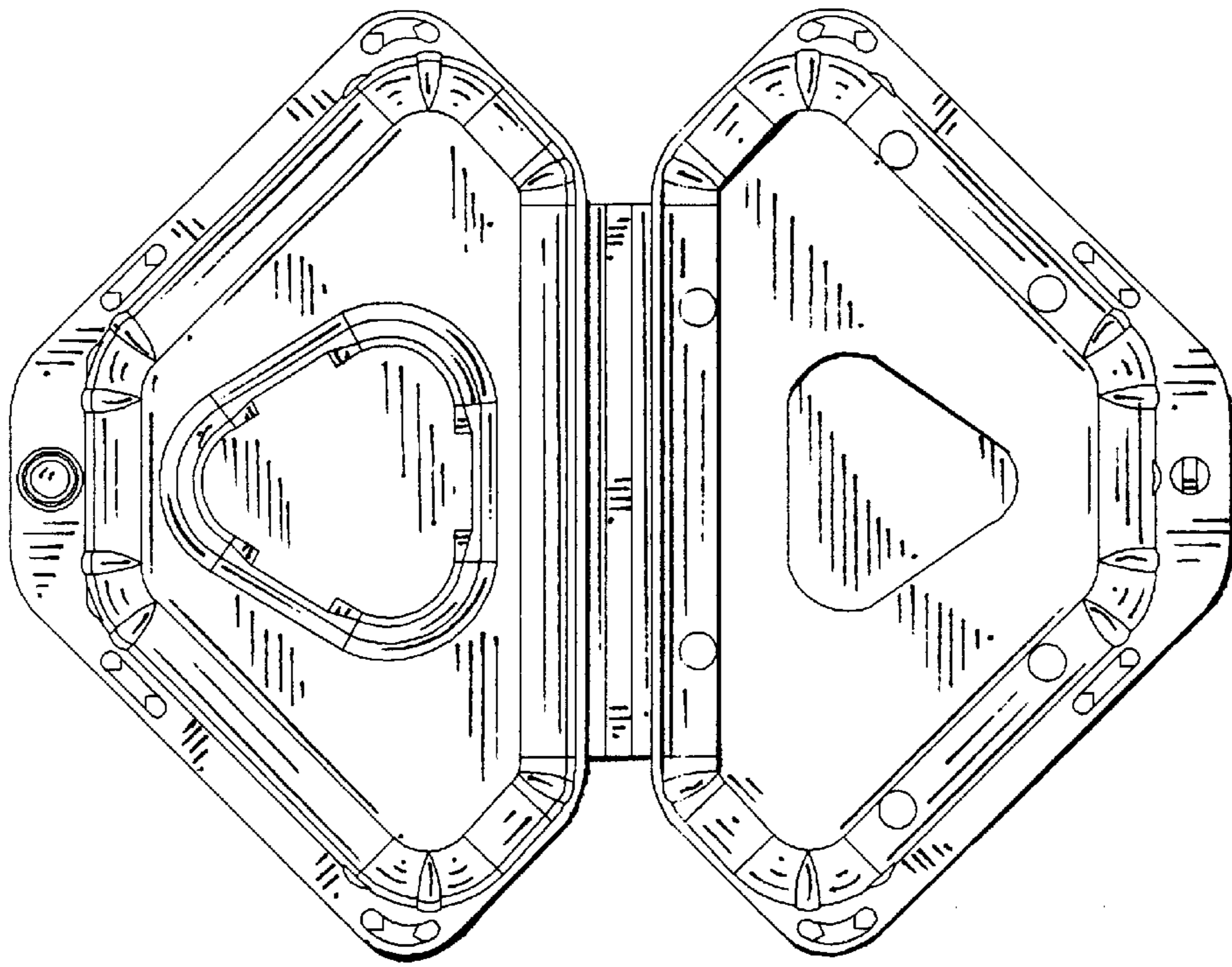


FIG. 2

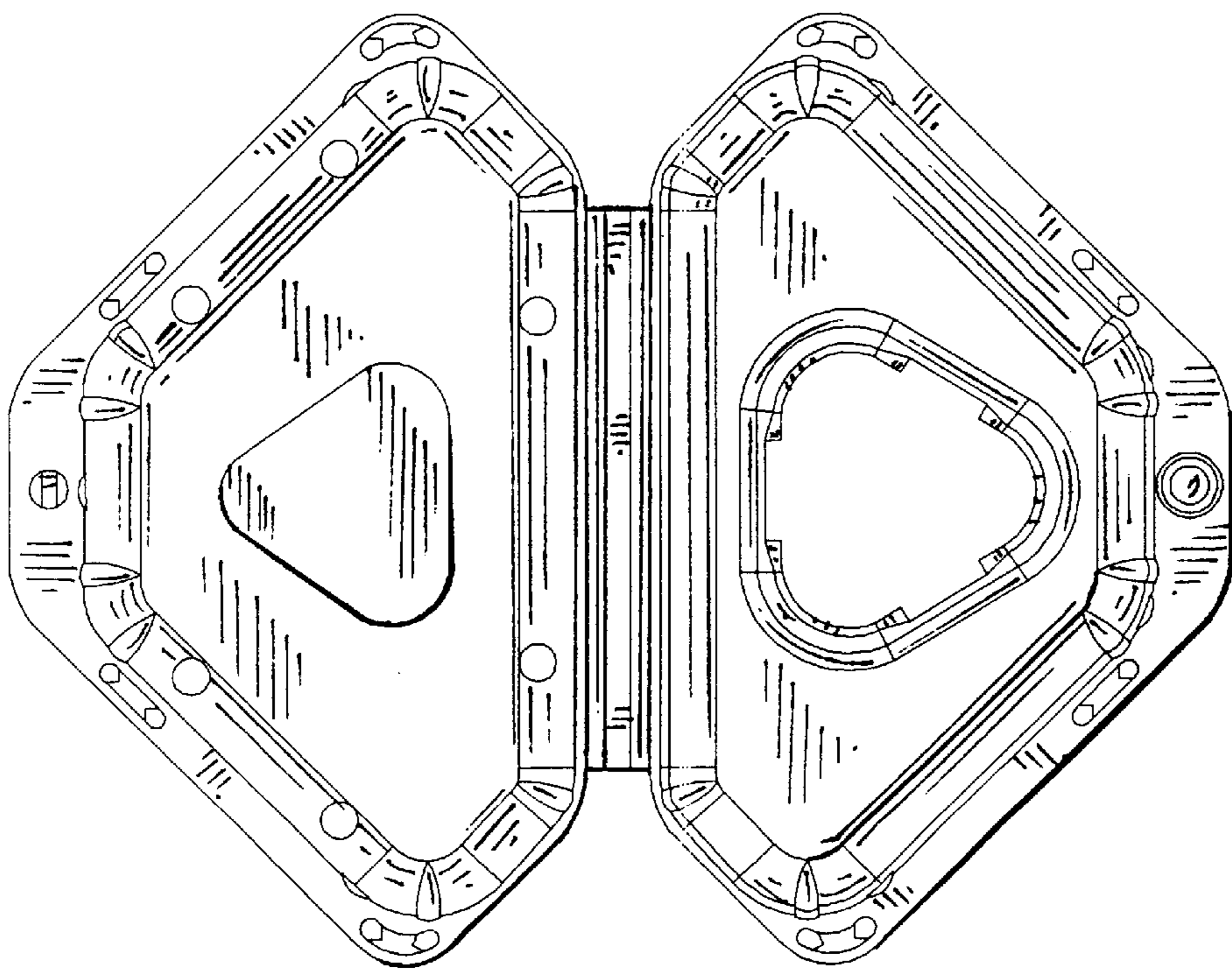


FIG. 3

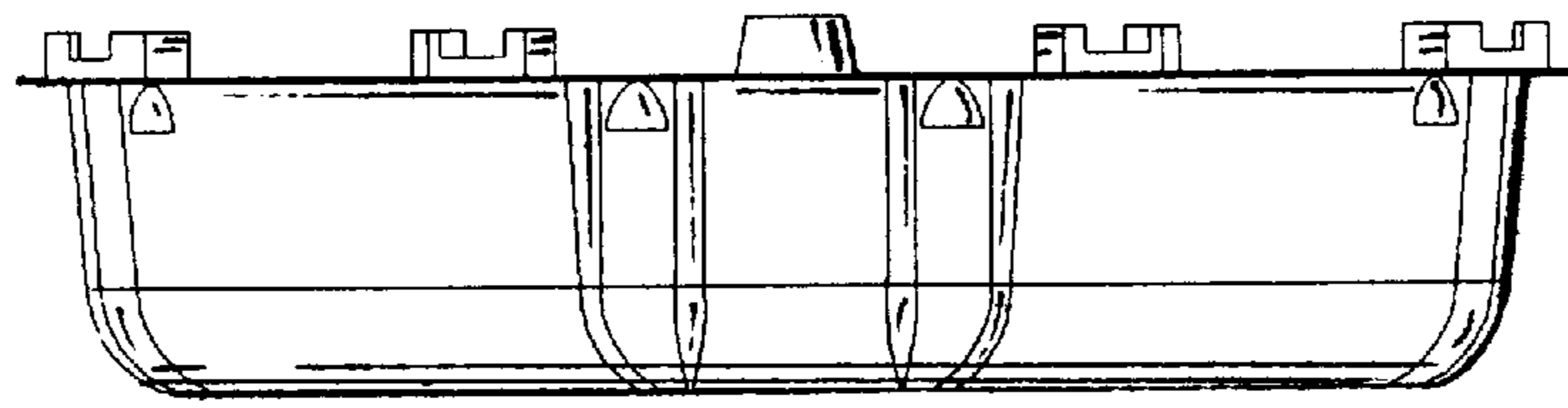


FIG. 4

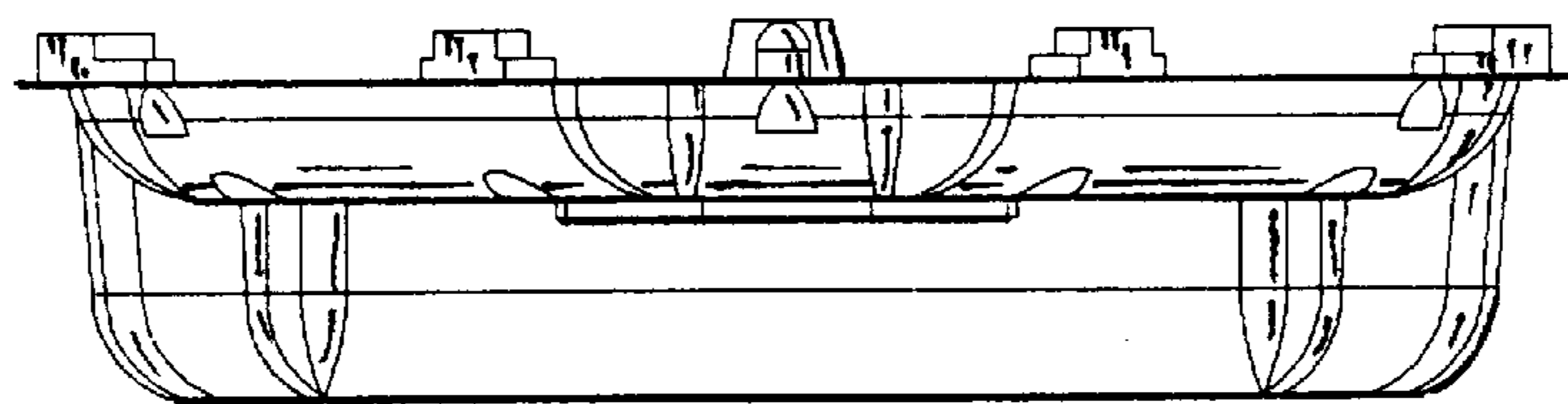


FIG. 5

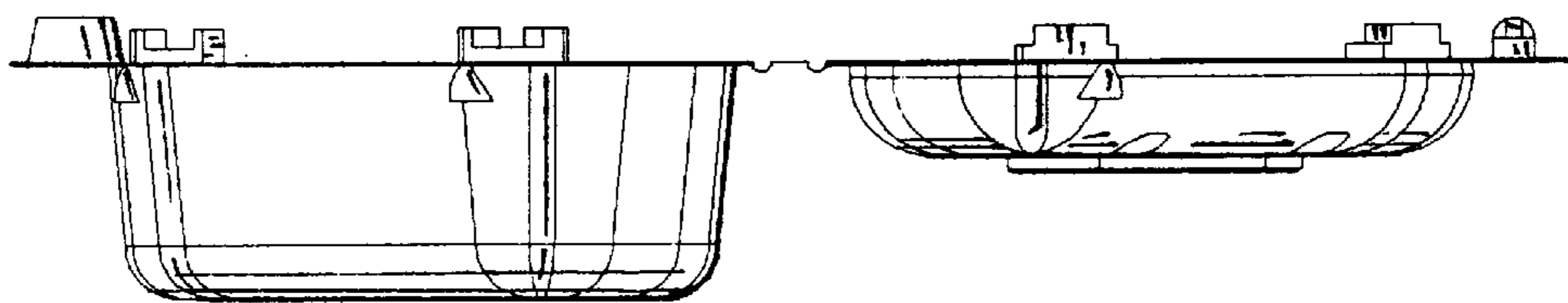


FIG. 6

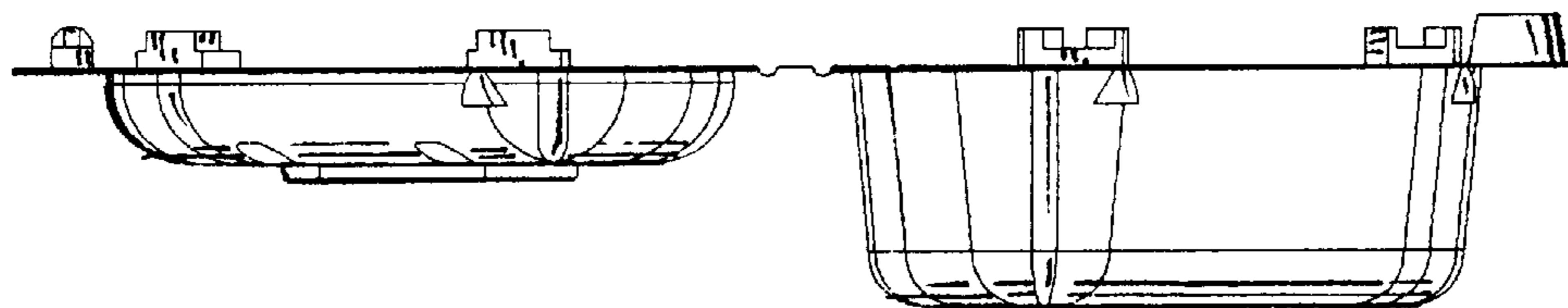


FIG. 7