



US00D409898S

United States Patent [19] Bredemeier

[11] Patent Number: **Des. 409,898**

[45] Date of Patent: **** May 18, 1999**

[54] **ROD SUPPORT**

419,302	1/1890	Allen	248/268
917,601	4/1909	Heinrichs	248/262
1,824,385	9/1931	Wintrob	248/262

[75] Inventor: **David Bredemeier**, Rehoboth, Mass.

[73] Assignee: **Kenney Manufacturing Company**,
Warwick, R.I.

Primary Examiner—Holly Baynham
Attorney, Agent, or Firm—Robert J Doherty

[**] Term: **14 Years**

[57] **CLAIM**

[21] Appl. No.: **29/092,626**

The ornamental design for a rod support, as shown and described.

[22] Filed: **Aug. 24, 1998**

DESCRIPTION

[51] **LOC (6) Cl.** **08-05**

[52] **U.S. Cl.** **D8/363**

[58] **Field of Search** D8/363, 368; 248/261–262;
160/349.1, 349.2

FIG. 1 is a right side perspective view of a rod support showing my new design;

FIG. 2 is a left side elevational view thereof;

FIG. 3 is a right side elevational view thereof;

FIG. 4 is a top view, the bottom view being the mirror image thereof; and,

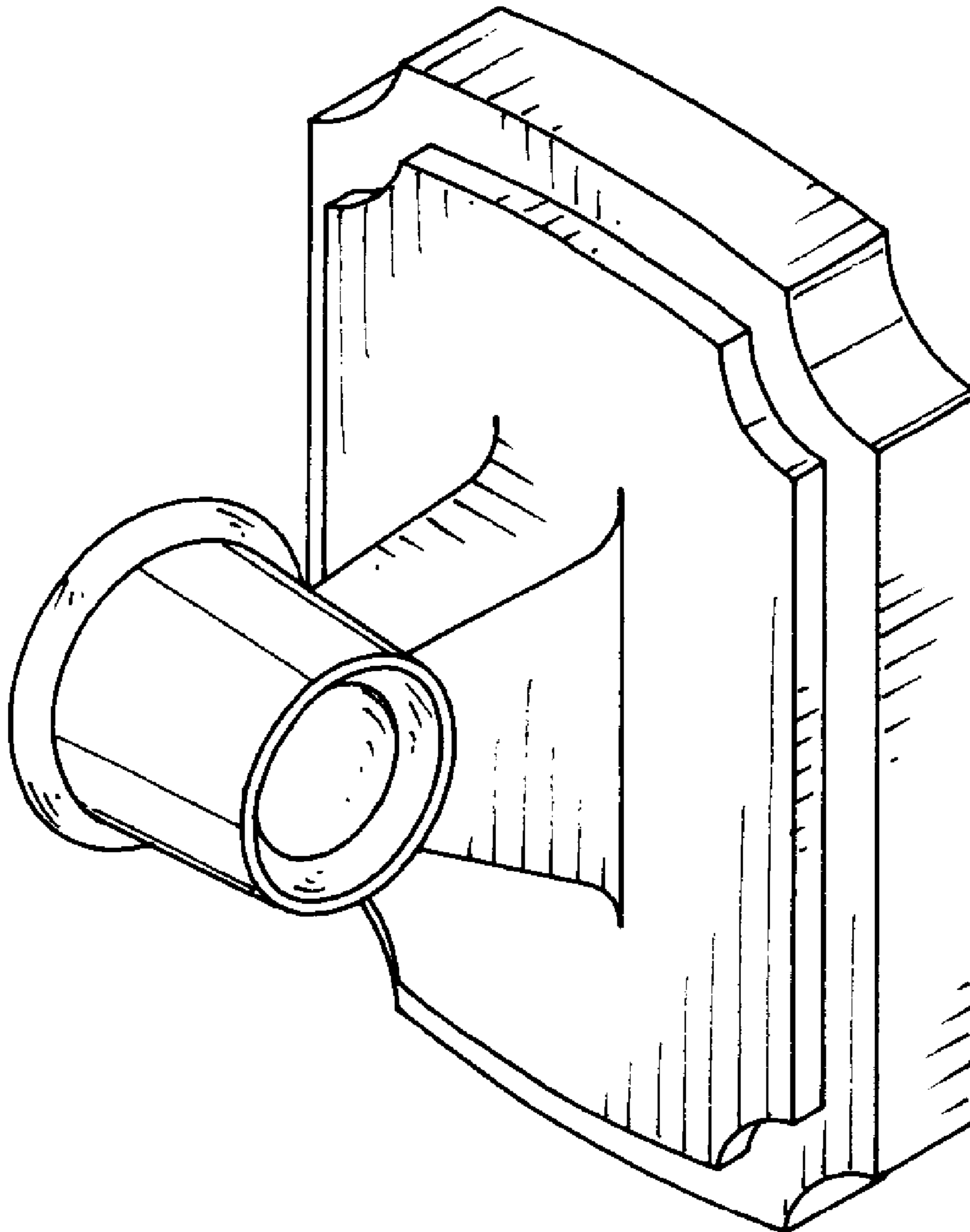
FIG. 5 is a front view, the rear view having no significant design feature thereof.

[56] **References Cited**

U.S. PATENT DOCUMENTS

D. 204,057	3/1966	Logan	D8/363
D. 216,458	1/1970	Leonard	D8/363
D. 300,803	4/1989	Whitley, II	D8/363

1 Claim, 2 Drawing Sheets



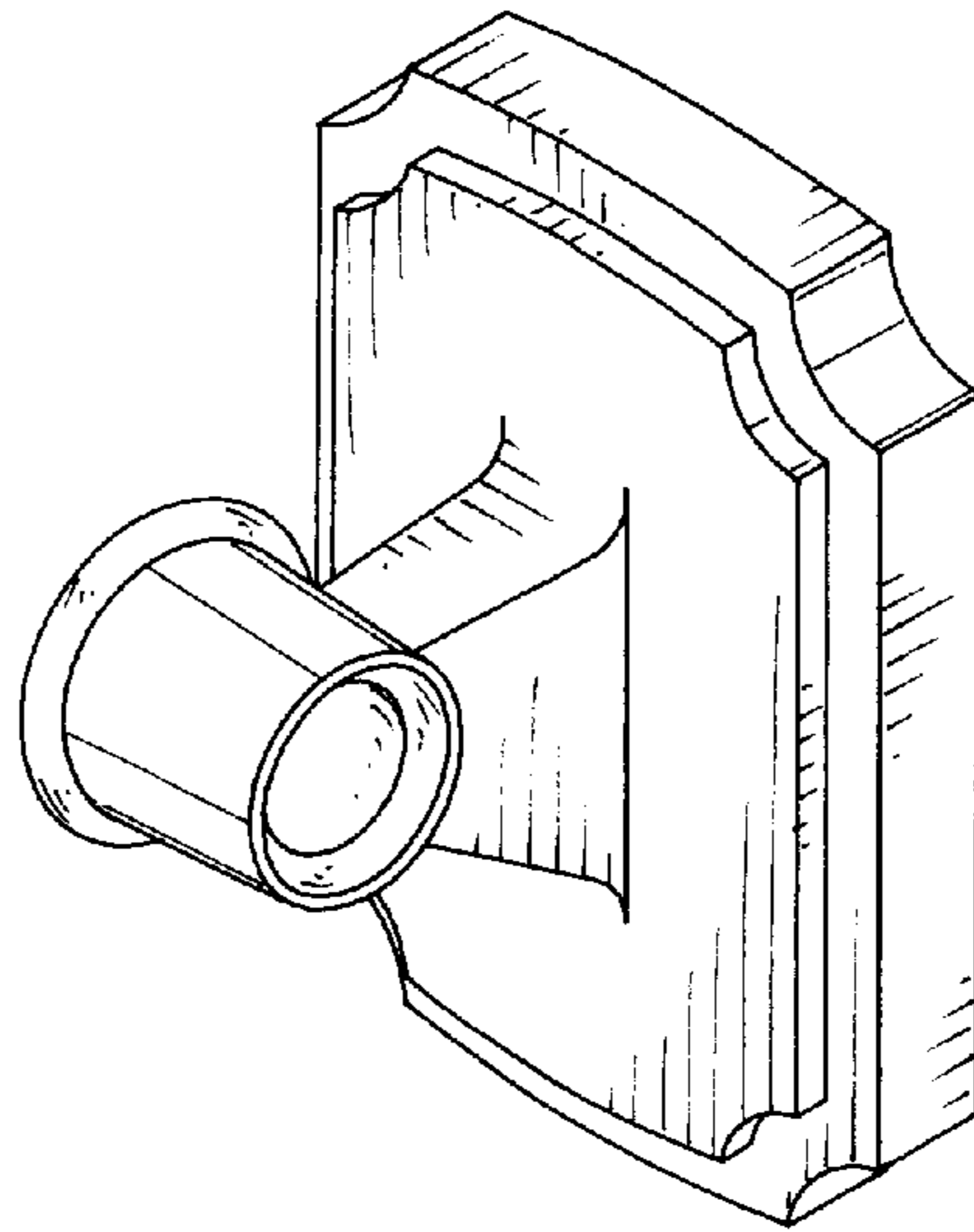


FIG. 1

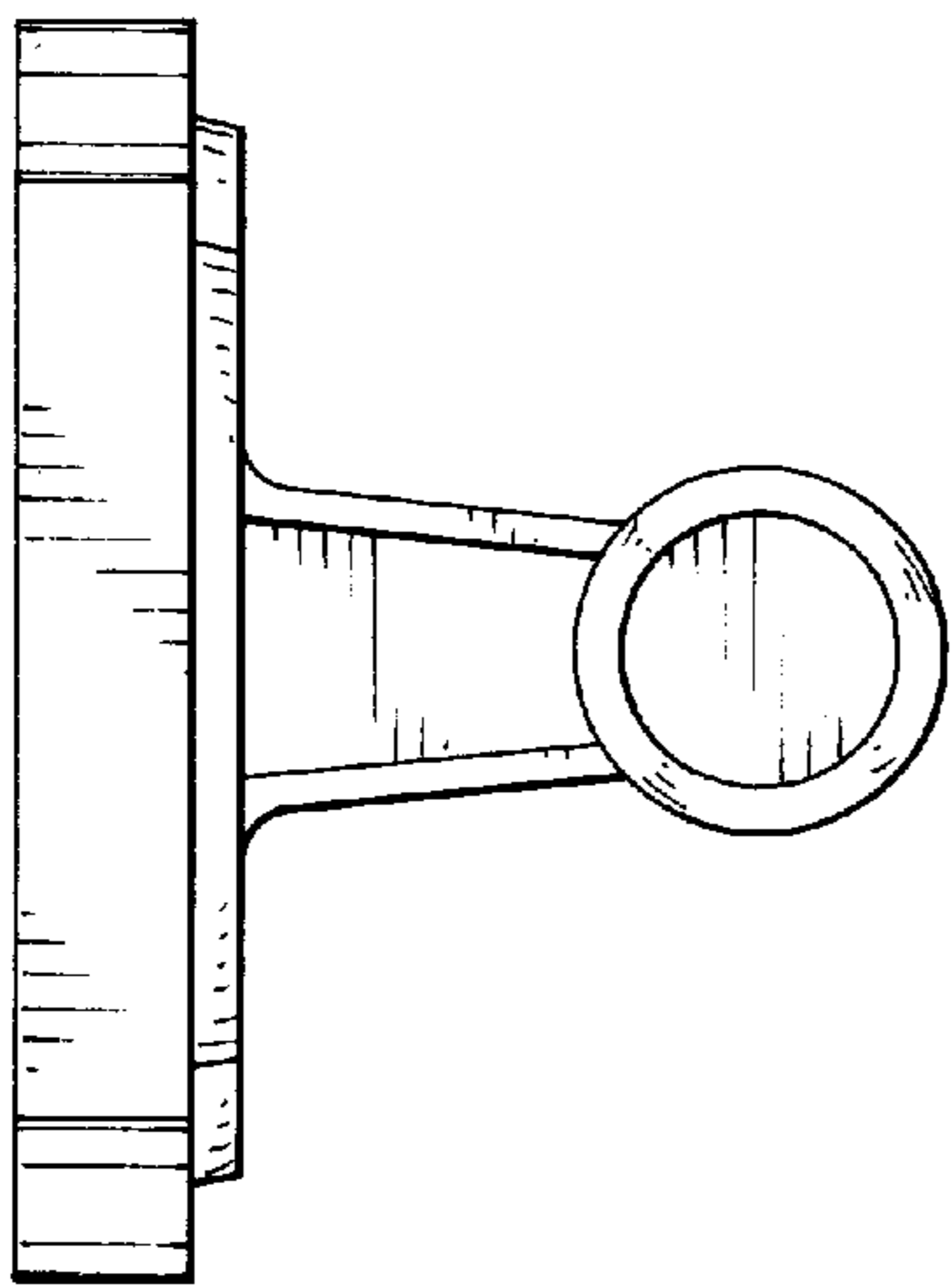


FIG. 2

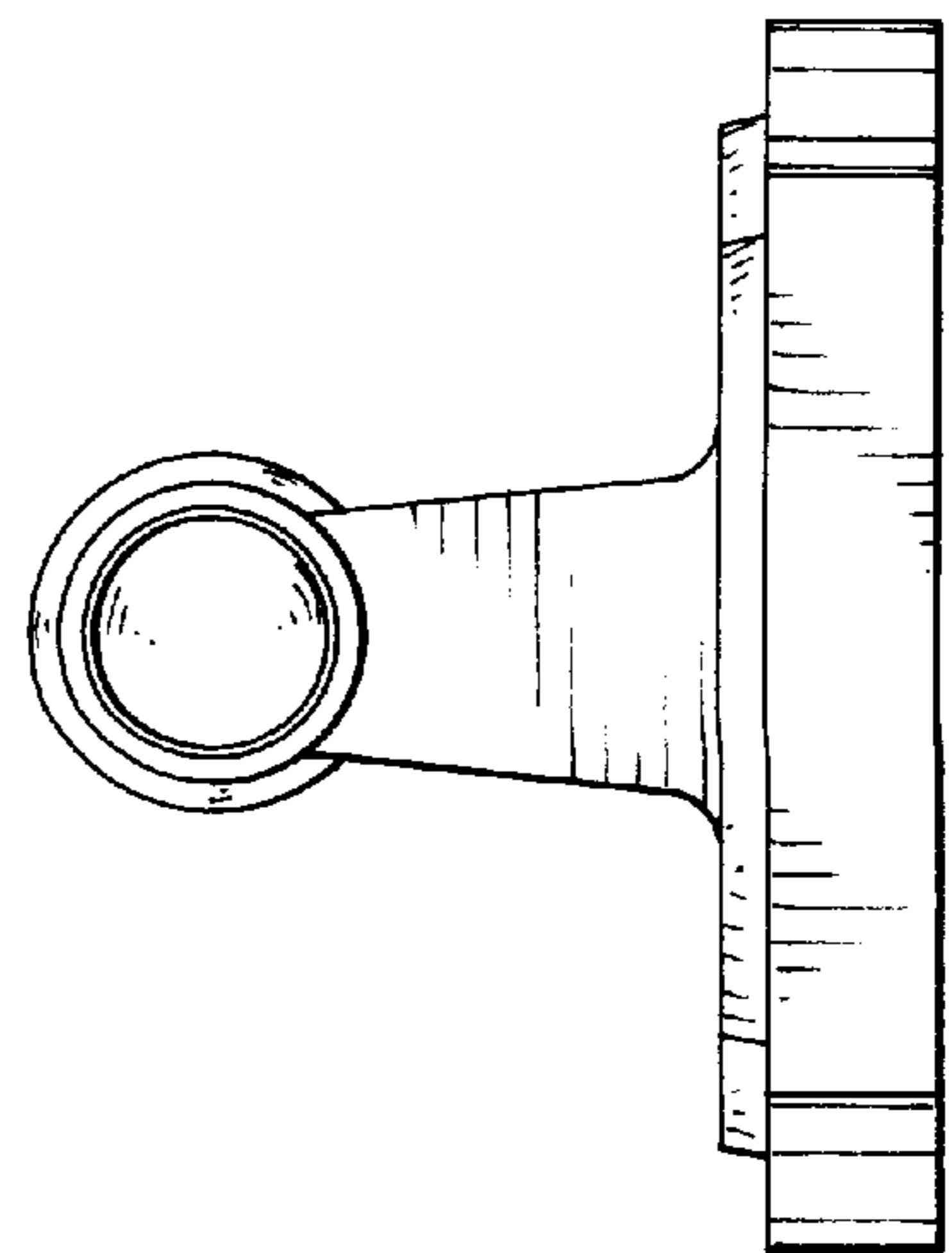


FIG. 3

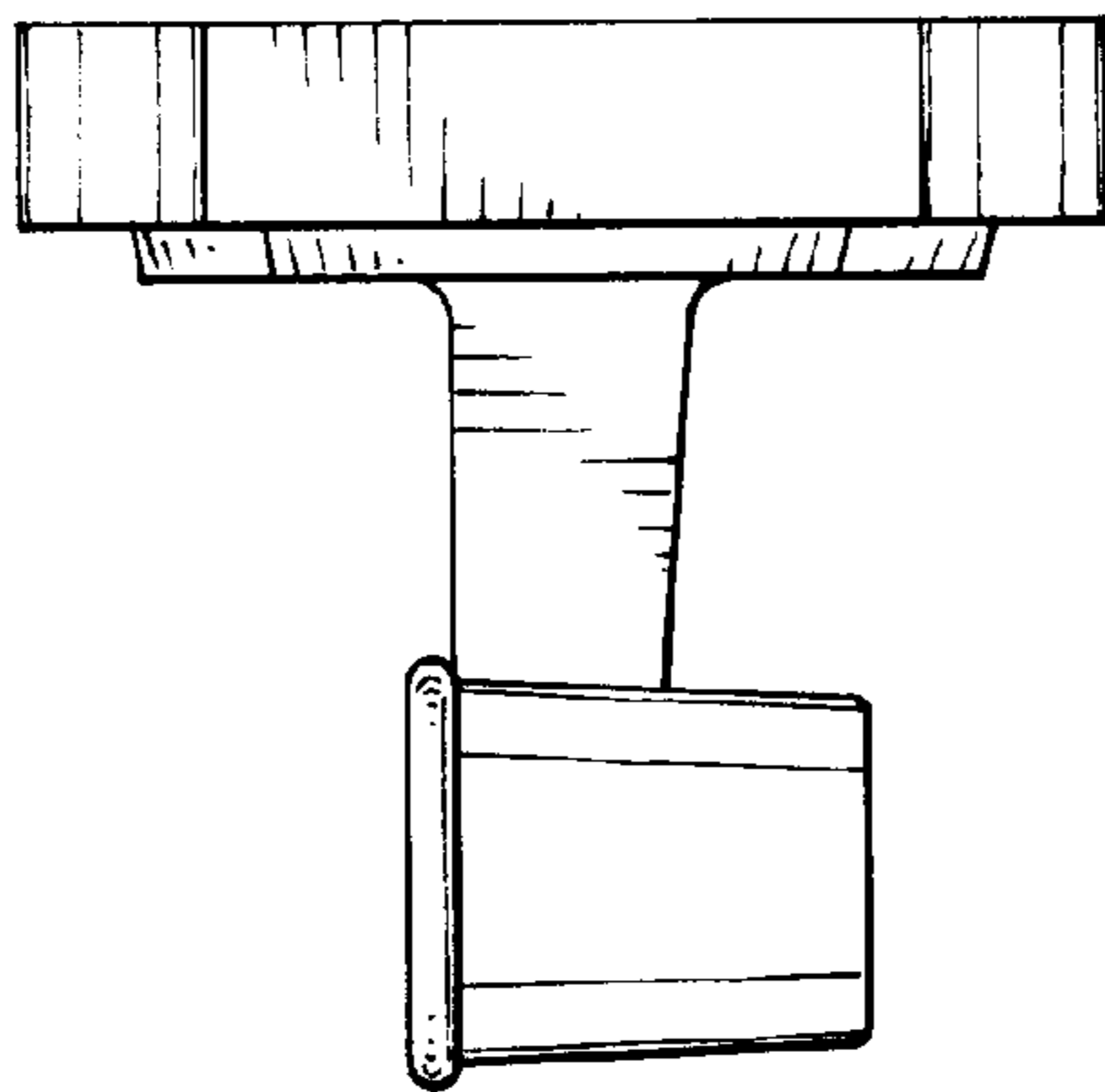


FIG. 4

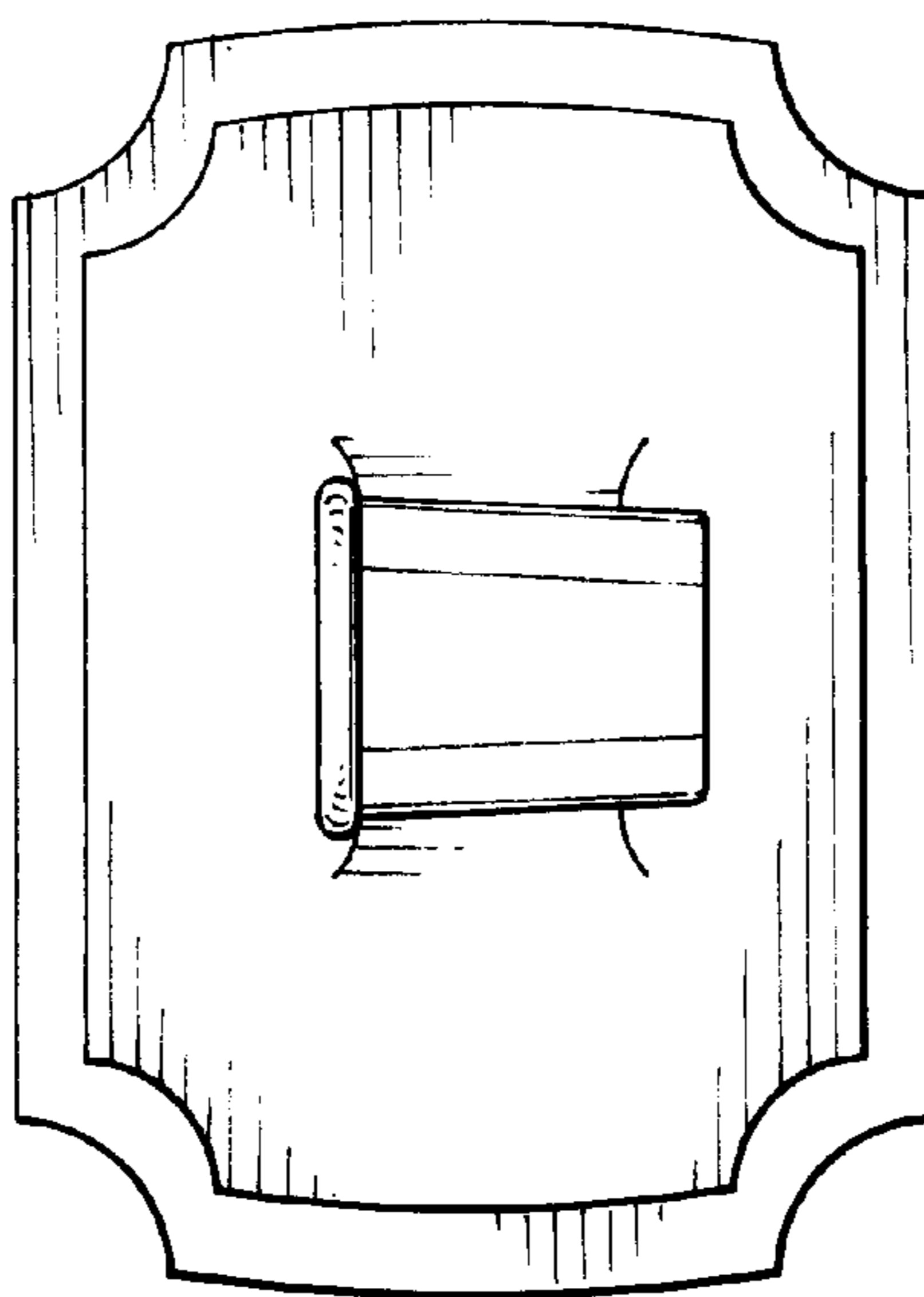


FIG. 5