



US00D409897S

United States Patent [19]
Buck

[11] **Patent Number: Des. 409,897**

[45] **Date of Patent: ** May 18, 1999**

[54] **COMBINED REEL AND CORD THEREFOR**

3,840,713 10/1974 Carpentier 242/129 X
5,100,077 3/1992 Gagne 242/129

[76] Inventor: **John S. Buck**, 8635 Kelvin Ave.,
Canoga Park, Calif. 91306

Primary Examiner—Holly Baynham

[**] Term: **14 Years**

[57] **CLAIM**

[21] Appl. No.: **29/090,746**

The ornamental design for a combined reel and cord there-
for, as shown and described.

[22] Filed: **Jul. 15, 1998**

DESCRIPTION

[51] **LOC (6) Cl.** **08-05**

[52] **U.S. Cl.** **D8/358**

[58] **Field of Search** D8/358, 359; 242/395,
242/403.3, 128, 129

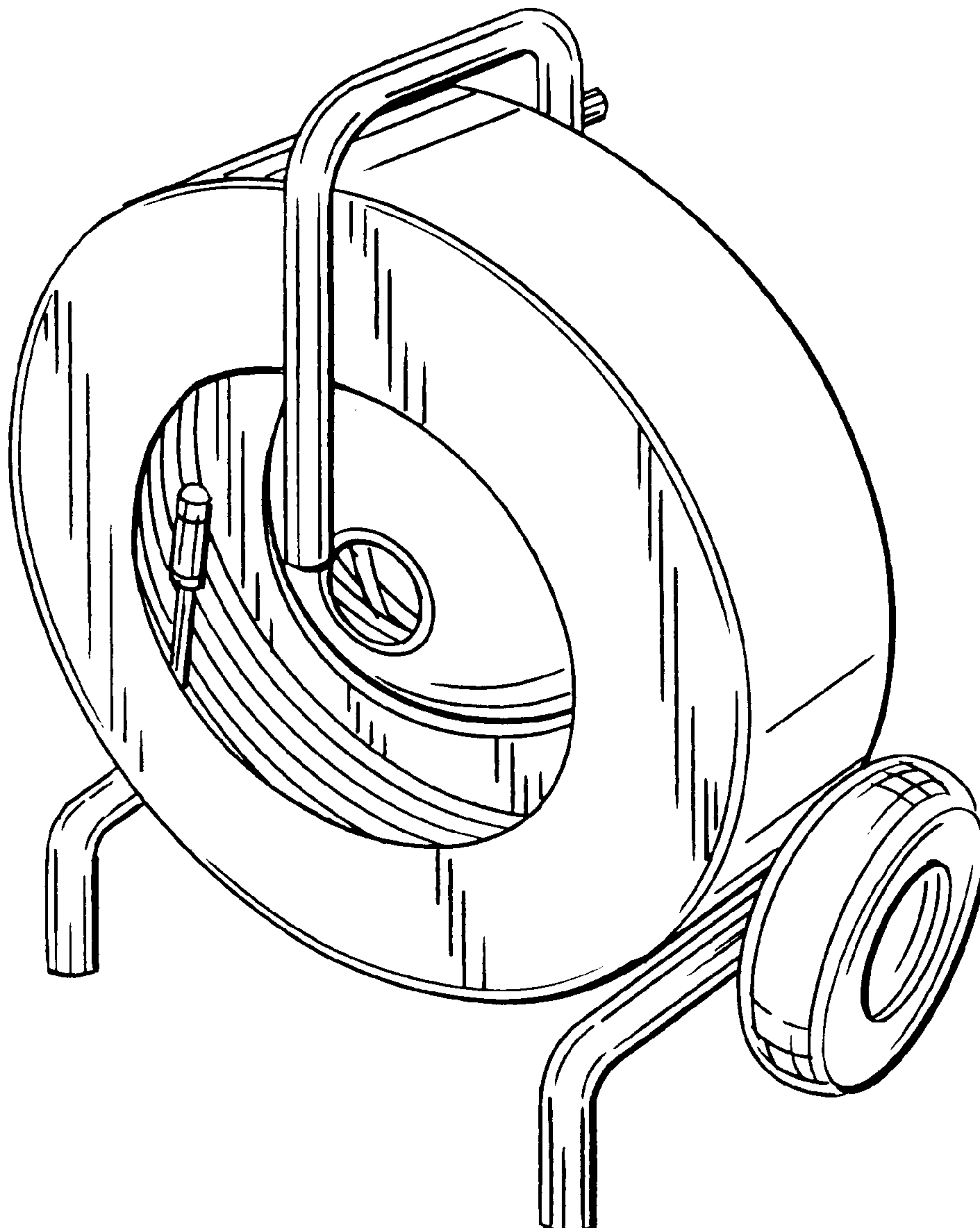
FIG. 1 is a perspective view of my design;
FIG. 2 is a front elevational view;
FIG. 3 is a rear elevational view;
FIG. 4 is a left elevational view;
FIG. 5 is a right elevational view;
FIG. 6 is a top plan view thereof; and,
FIG. 7 is a bottom plan view thereof.

[56] **References Cited**

U.S. PATENT DOCUMENTS

D. 238,749 2/1976 Backeta D8/359
2,087,928 7/1937 Spencer et al. 242/129 X

1 Claim, 3 Drawing Sheets



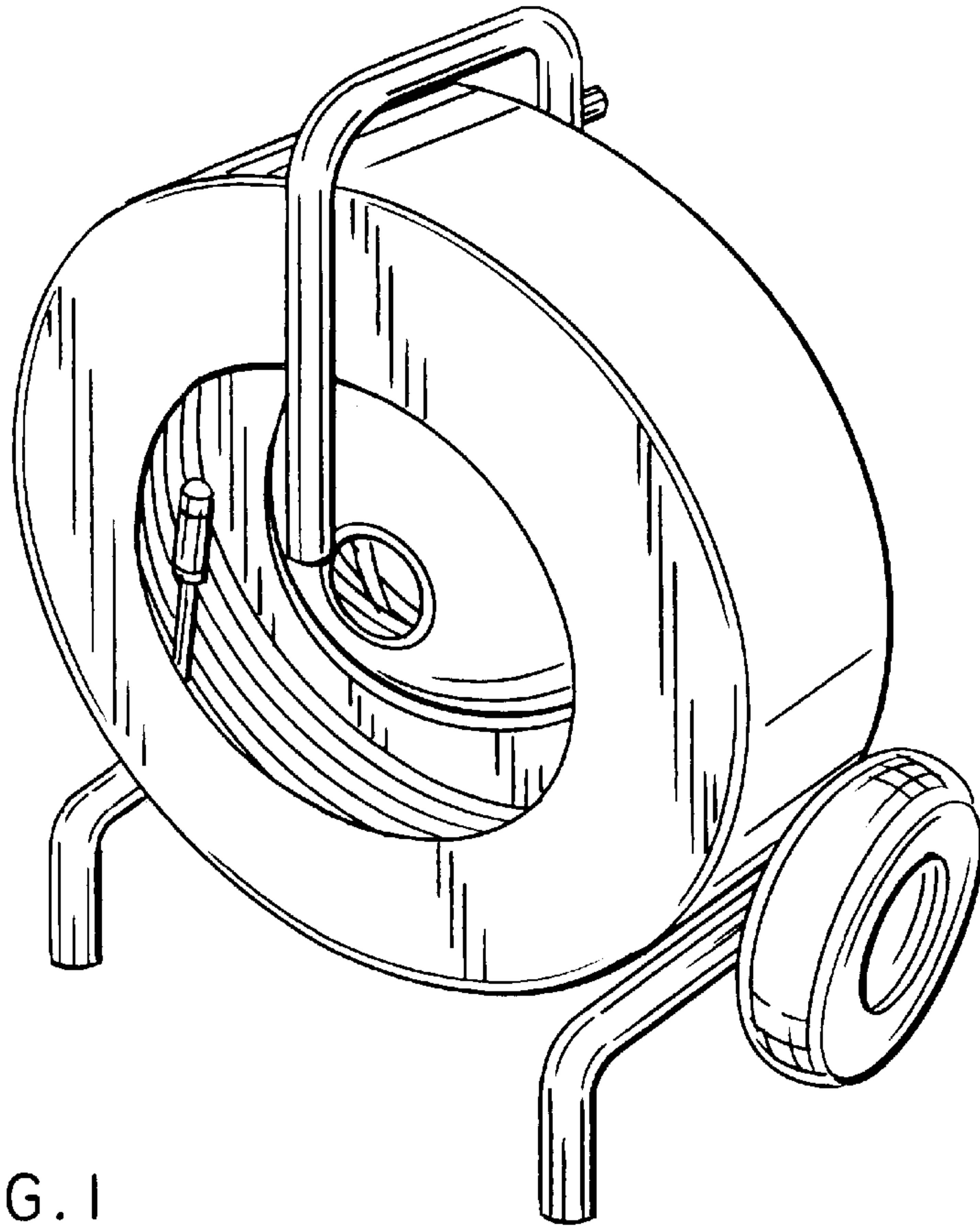


FIG. 1

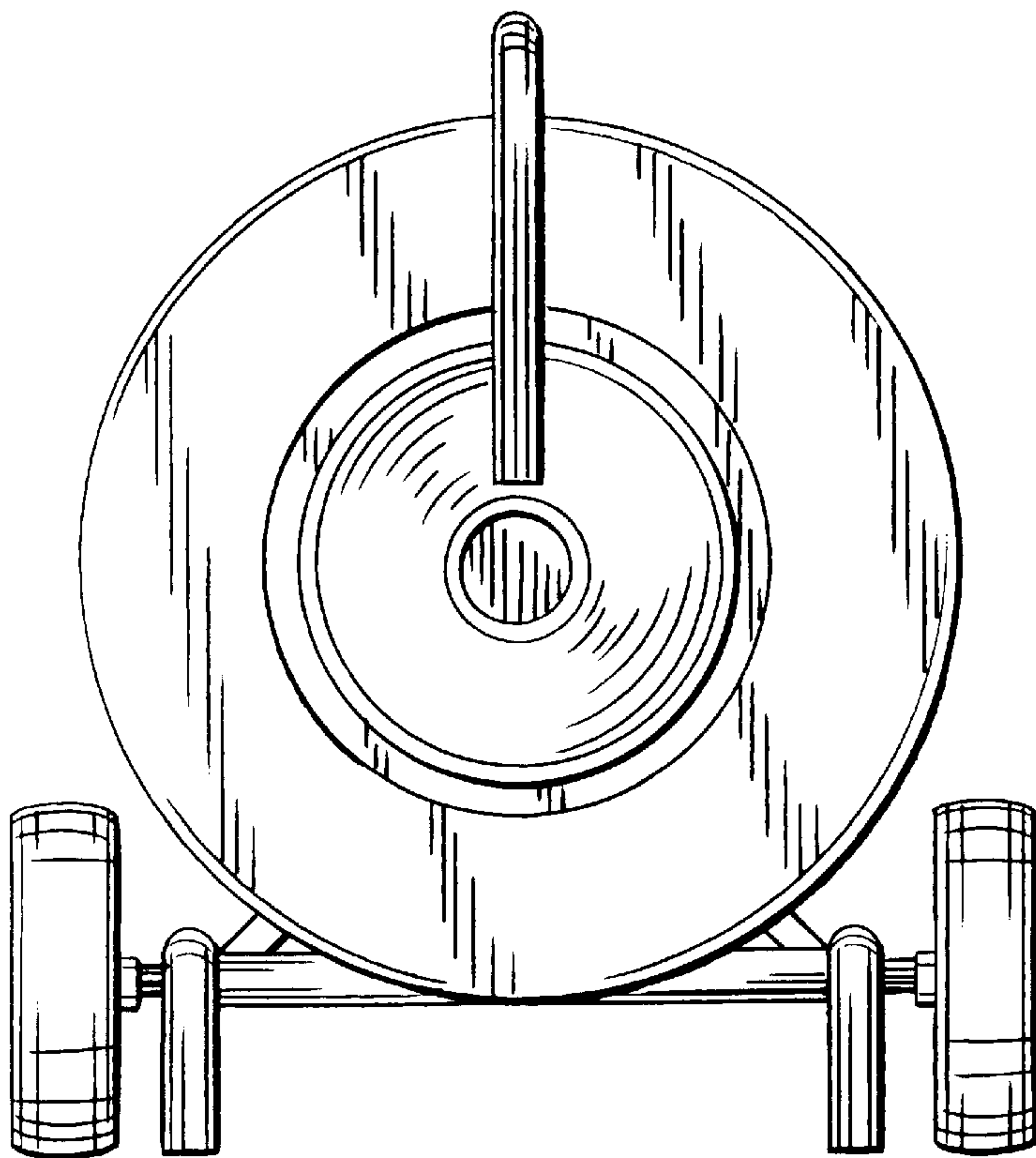


FIG. 2

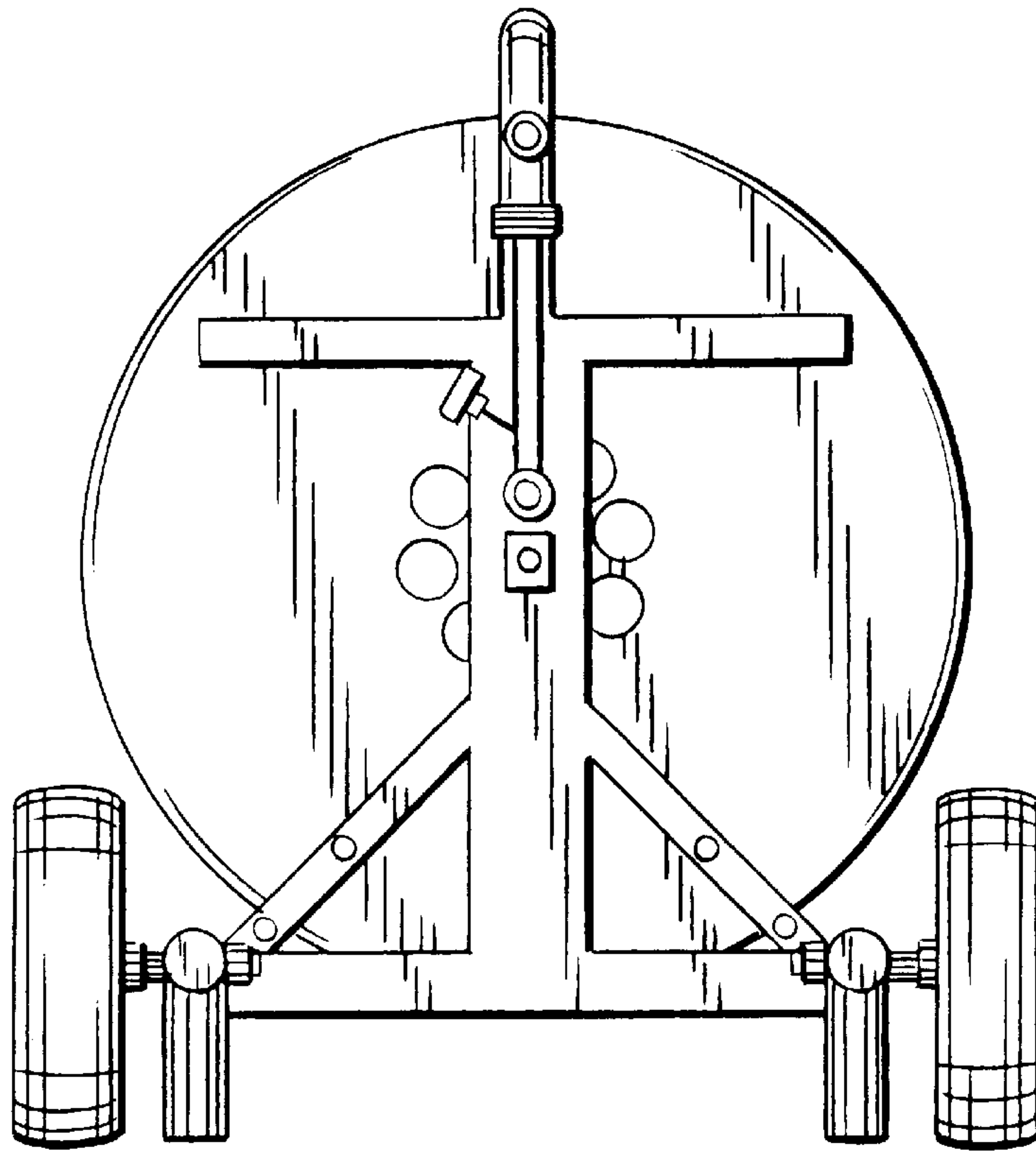


FIG. 3

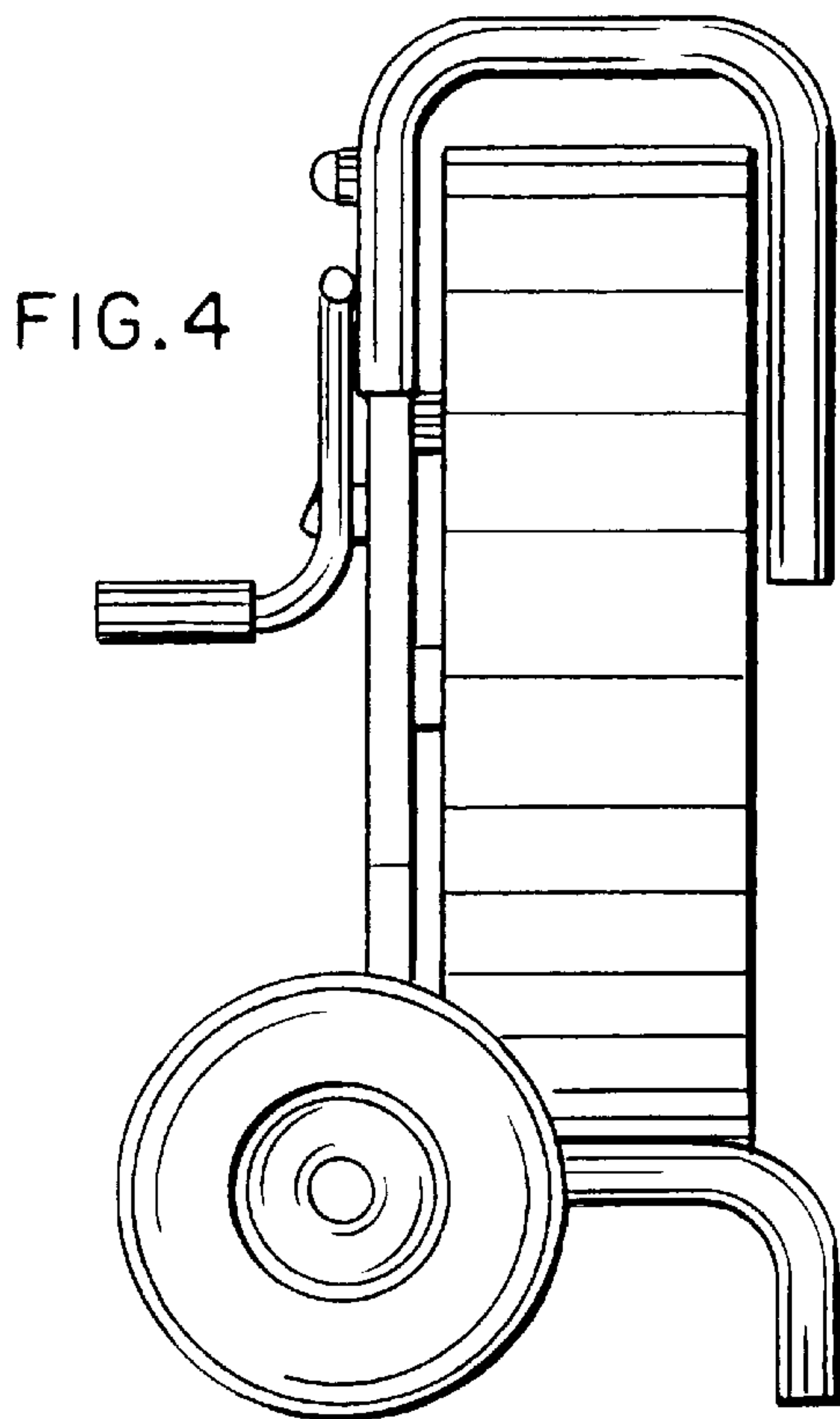


FIG. 4

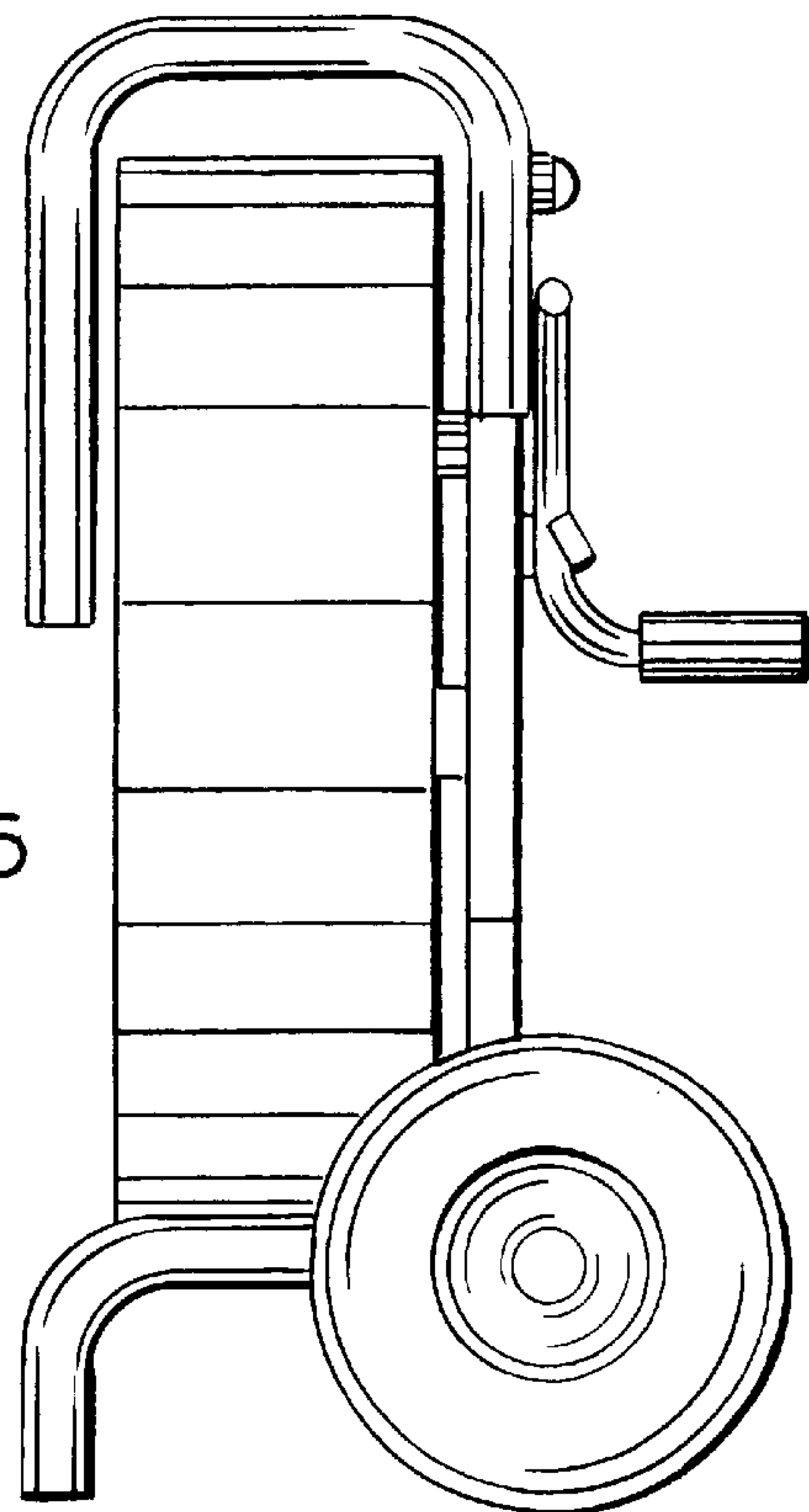


FIG. 5

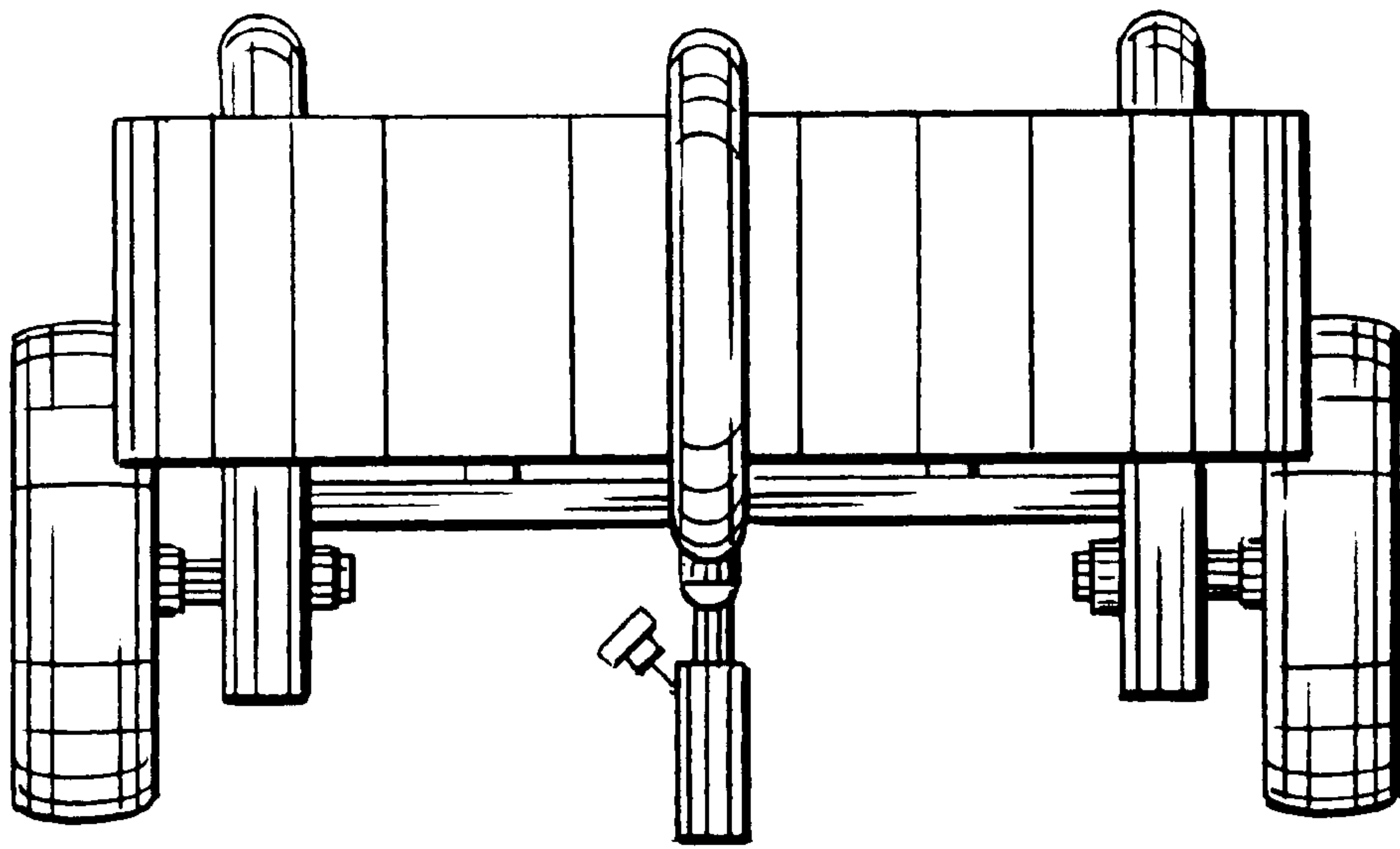


FIG. 6

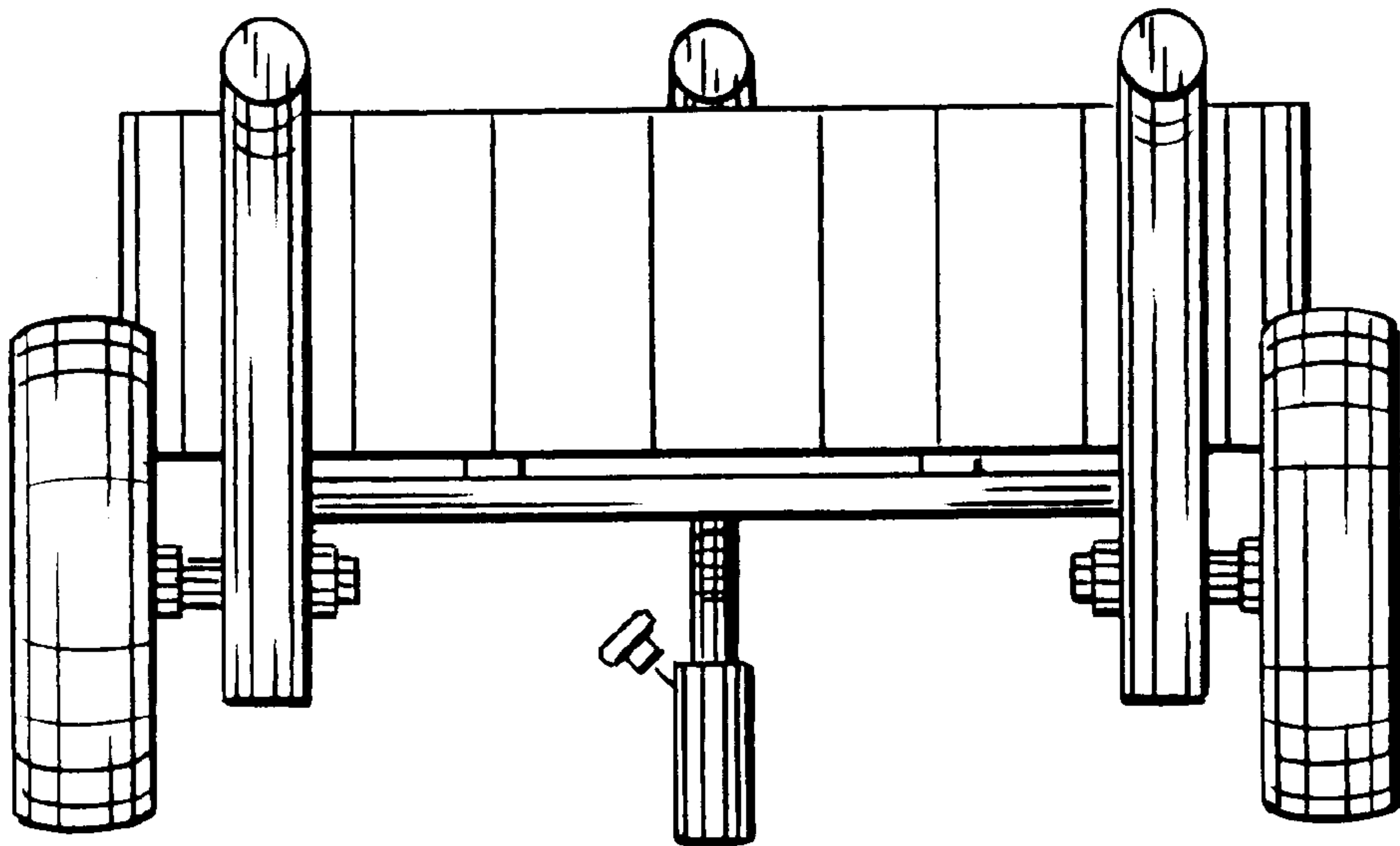


FIG. 7