

US00D409895S

United States Patent [19]

Schron, Jr. et al.

[11] **Patent Number: Des. 409,895**

[45] **Date of Patent: ** May 18, 1999**

[54] **SIDE HOIST CLEVIS**

5,743,576 4/1998 Schron, Jr. et al. 294/1.1

[75] Inventors: **Jack H. Schron, Jr.**, Chagrin Falls;
Harry P. Fuller, Newbury, both of Ohio

[73] Assignee: **Jergens, Inc.**, Cleveland, Ohio

[**] Term: **14 Years**

[21] Appl. No.: **29/093,146**

[22] Filed: **Sep. 4, 1998**

[51] **LOC (6) Cl.** **08-99**

[52] **U.S. Cl.** **D8/349**

[58] **Field of Search** D8/349, 354, 394-396;
403/78; 294/1.1; 248/499; D34/35

[56] **References Cited**

U.S. PATENT DOCUMENTS

1,917,416 7/1933 Zingg 160/176.1
5,634,734 6/1997 Schron, Jr. et al. 403/78

OTHER PUBLICATIONS

Copy of 1997 Catalog entitled "Hoist Rings".

Primary Examiner—Holly Baynham
Attorney, Agent, or Firm—Vickers, Daniels & Young

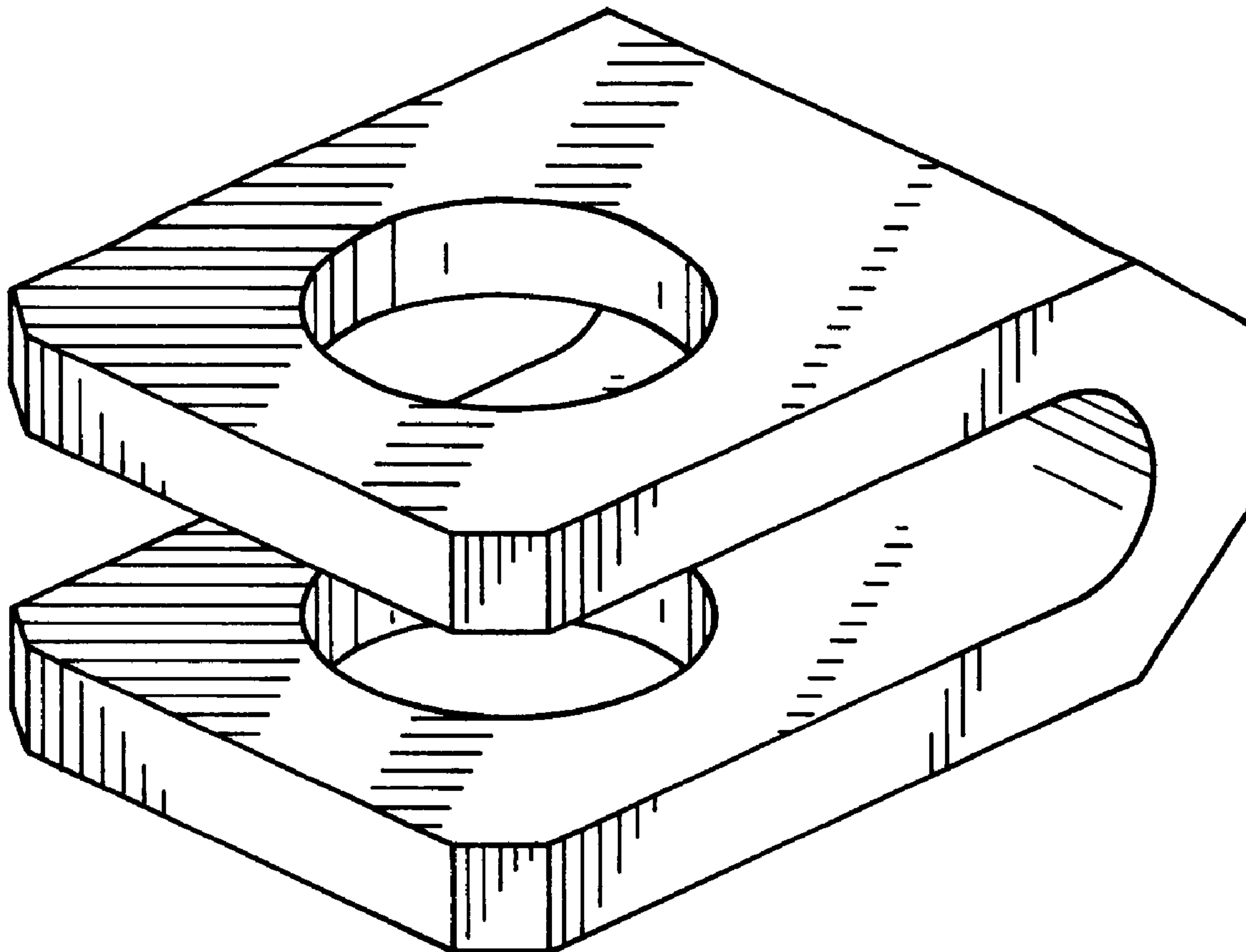
[57] **CLAIM**

The ornamental design for a side hoist clevis, as shown and described.

DESCRIPTION

FIG. 1 is a perspective view of our novel side hoist clevis; FIG. 2 is a top plan view thereof, the bottom being a mirror image of that shown; FIG. 3 is a front elevation of FIG. 2; FIG. 4 is a left end elevation of FIG. 3; and, FIG. 5 is a right end elevation of FIG. 3. The broken lines shown in FIGS. 2 and 3 are for illustrative purposes only and form no part of the claimed design.

1 Claim, 1 Drawing Sheet



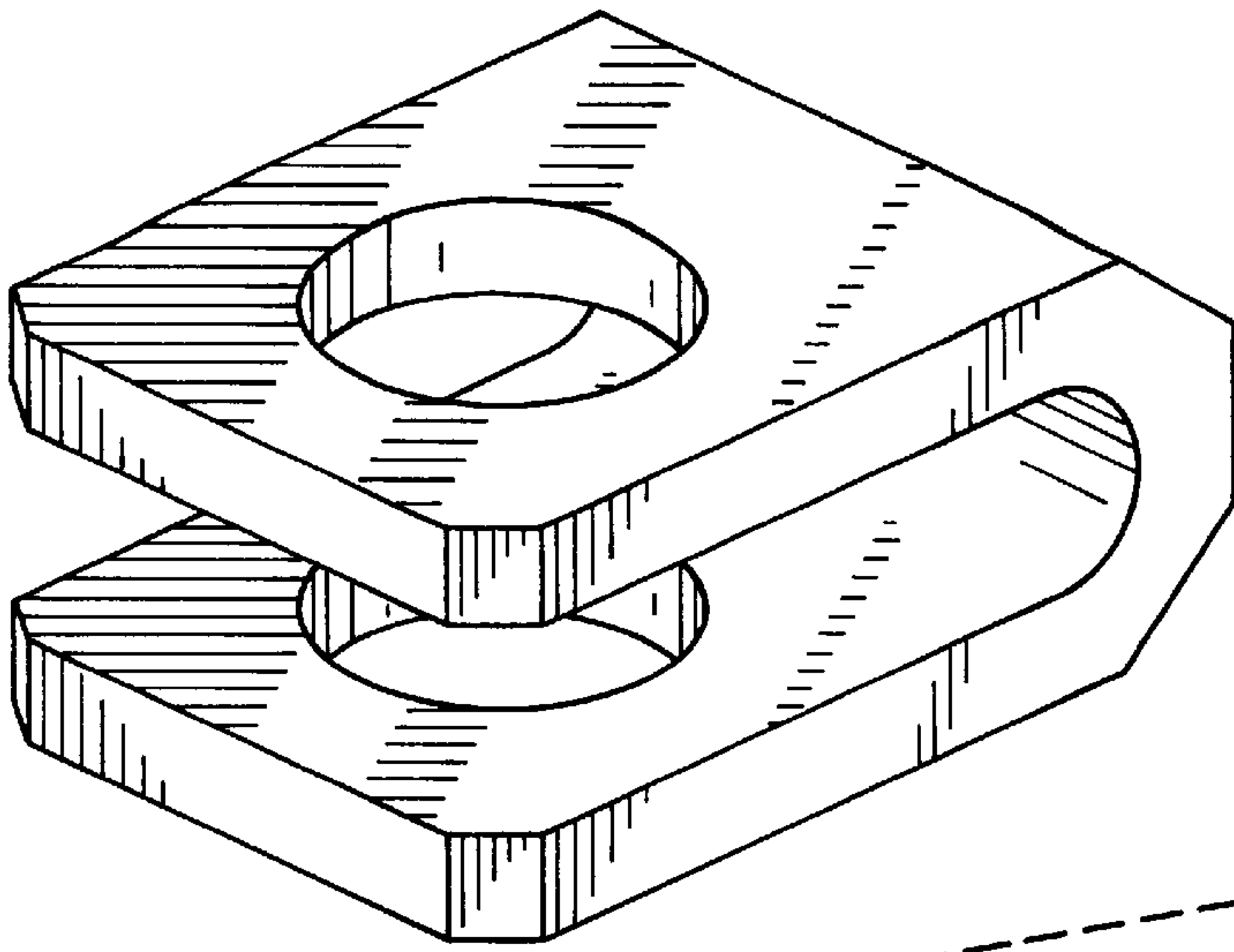


FIG. 1

FIG. 2

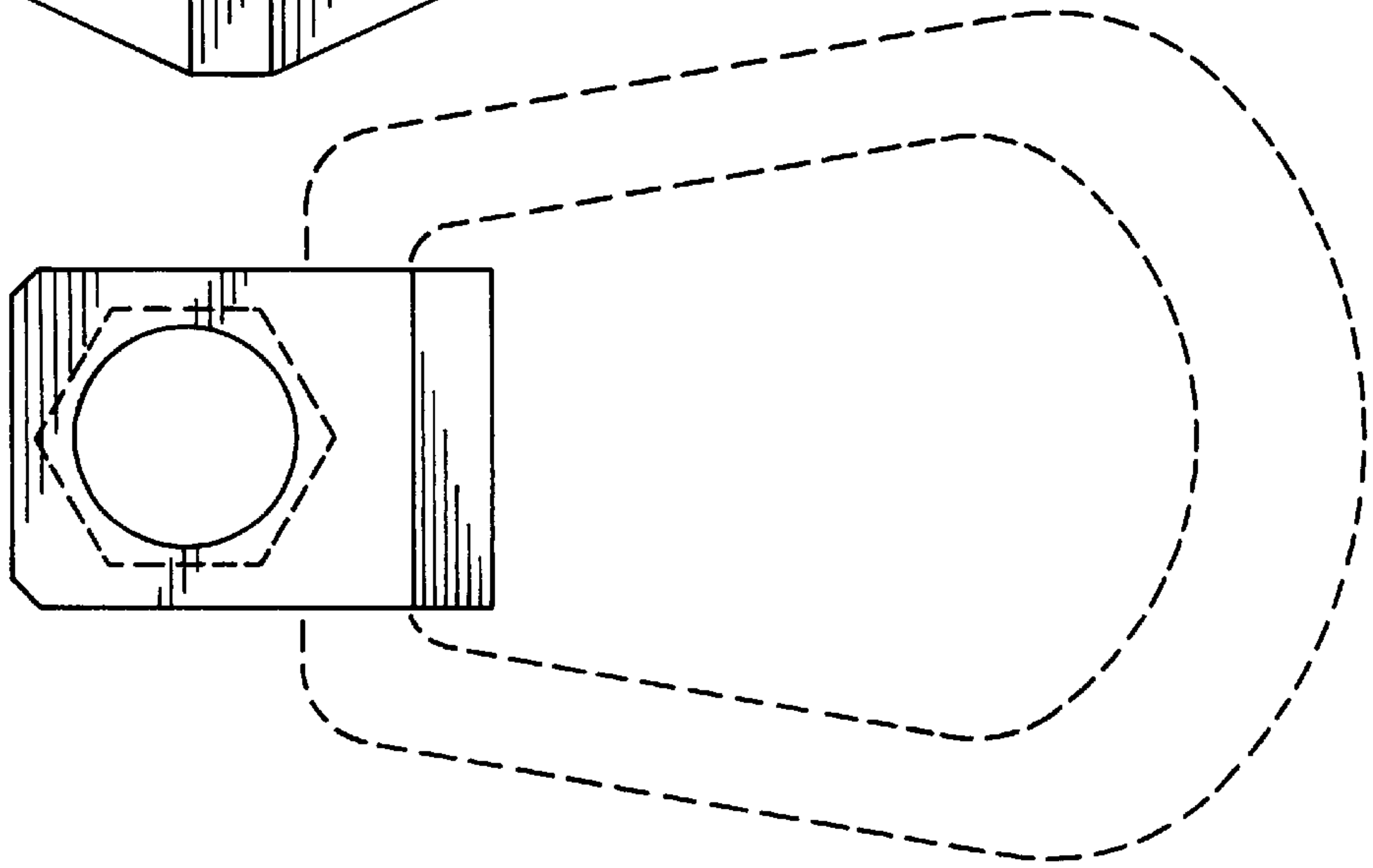


FIG. 3

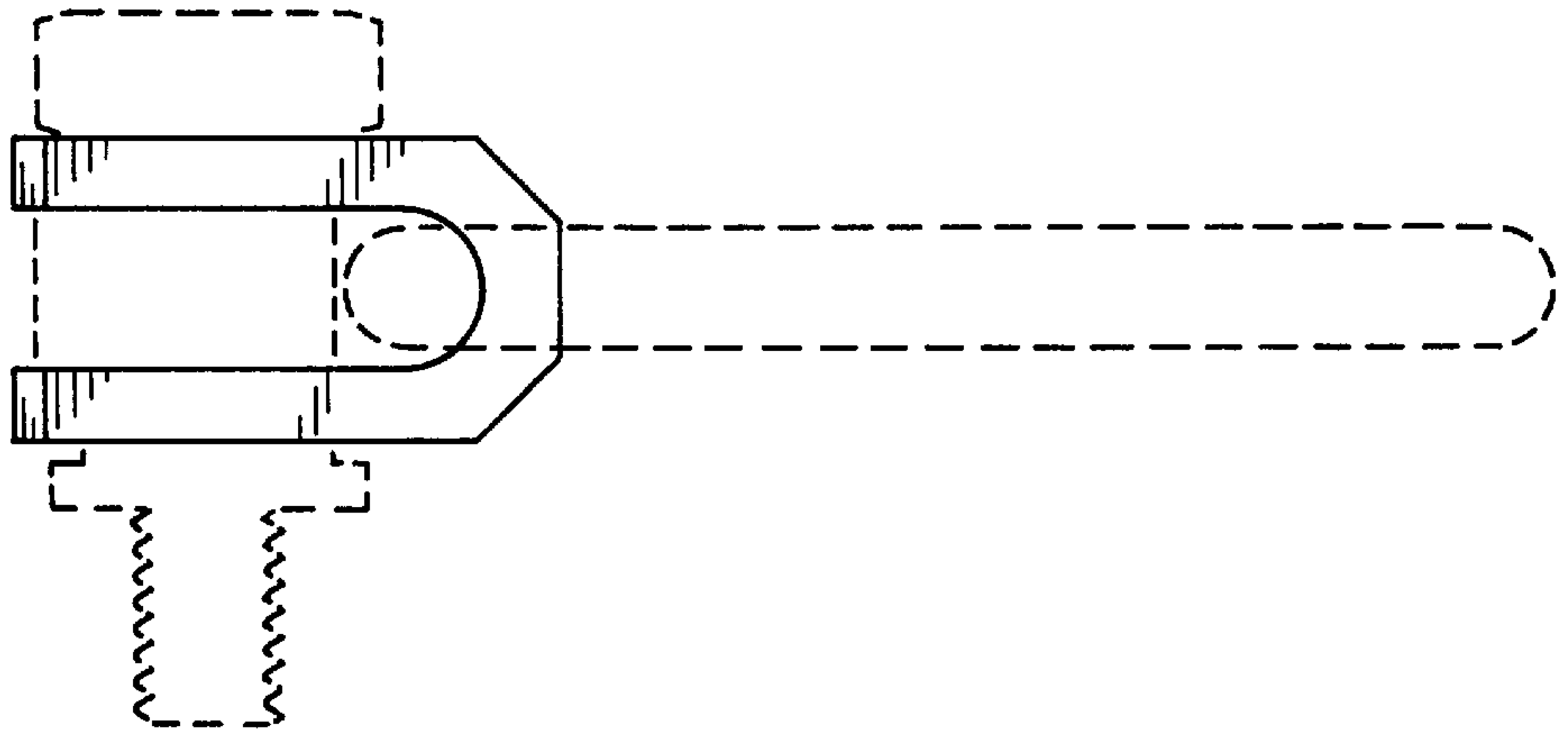


FIG. 4

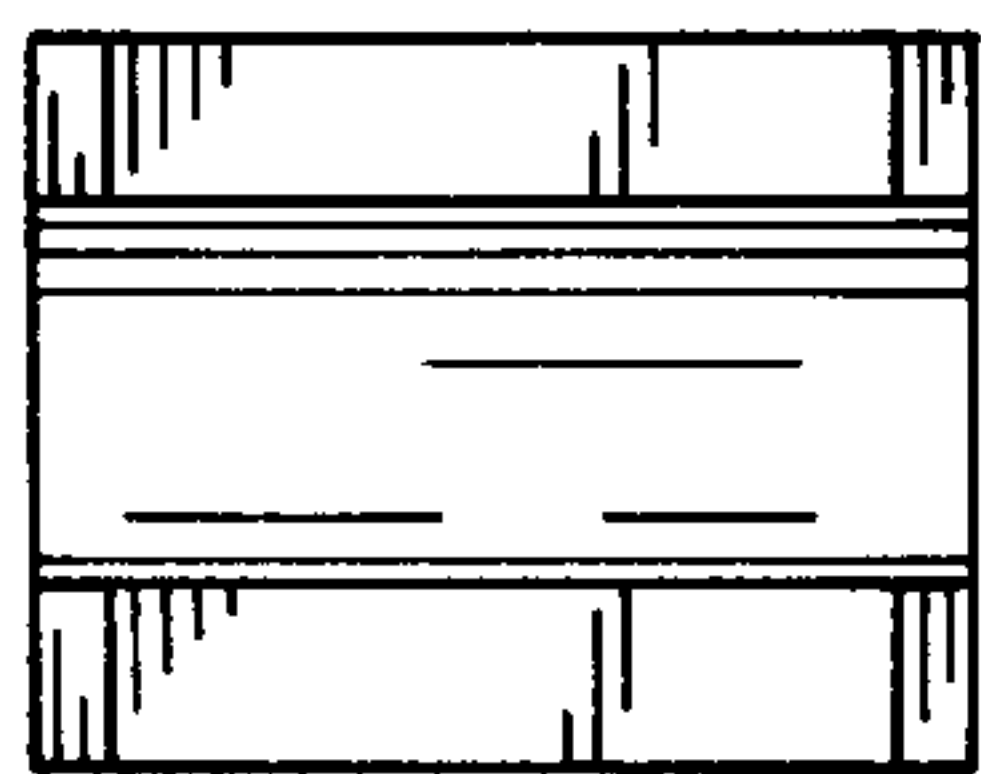


FIG. 5

