



US00D409894S

United States Patent [19]
McClurg

[11] **Patent Number: Des. 409,894**

[45] **Date of Patent: ** May 18, 1999**

[54] **SHEET ROCK PLUG**

[76] Inventor: **Ben B. McClurg**, 17696 SW. Janell Ct., Aloha, Oreg. 97006

[**] Term: **14 Years**

[21] Appl. No.: **29/081,313**

[22] Filed: **Dec. 30, 1997**

[51] **LOC (6) Cl.** **08-05**

[52] **U.S. Cl.** **D8/349**

[58] **Field of Search** D23/260, 261; D8/349, 354, 382; 29/522.1; 411/37

[56] **References Cited**

U.S. PATENT DOCUMENTS

D. 221,616	8/1971	Hollander	D8/374 X
3,635,234	1/1972	Dawson	137/68.25
5,308,204	5/1994	Moen	411/37

Primary Examiner—Holly Baynham
Attorney, Agent, or Firm—Kolisch, Hartwell, Dickinson, McCormack & Heuser

[57] **CLAIM**

The ornamental design for a sheet rock plug, as shown and described.

DESCRIPTION

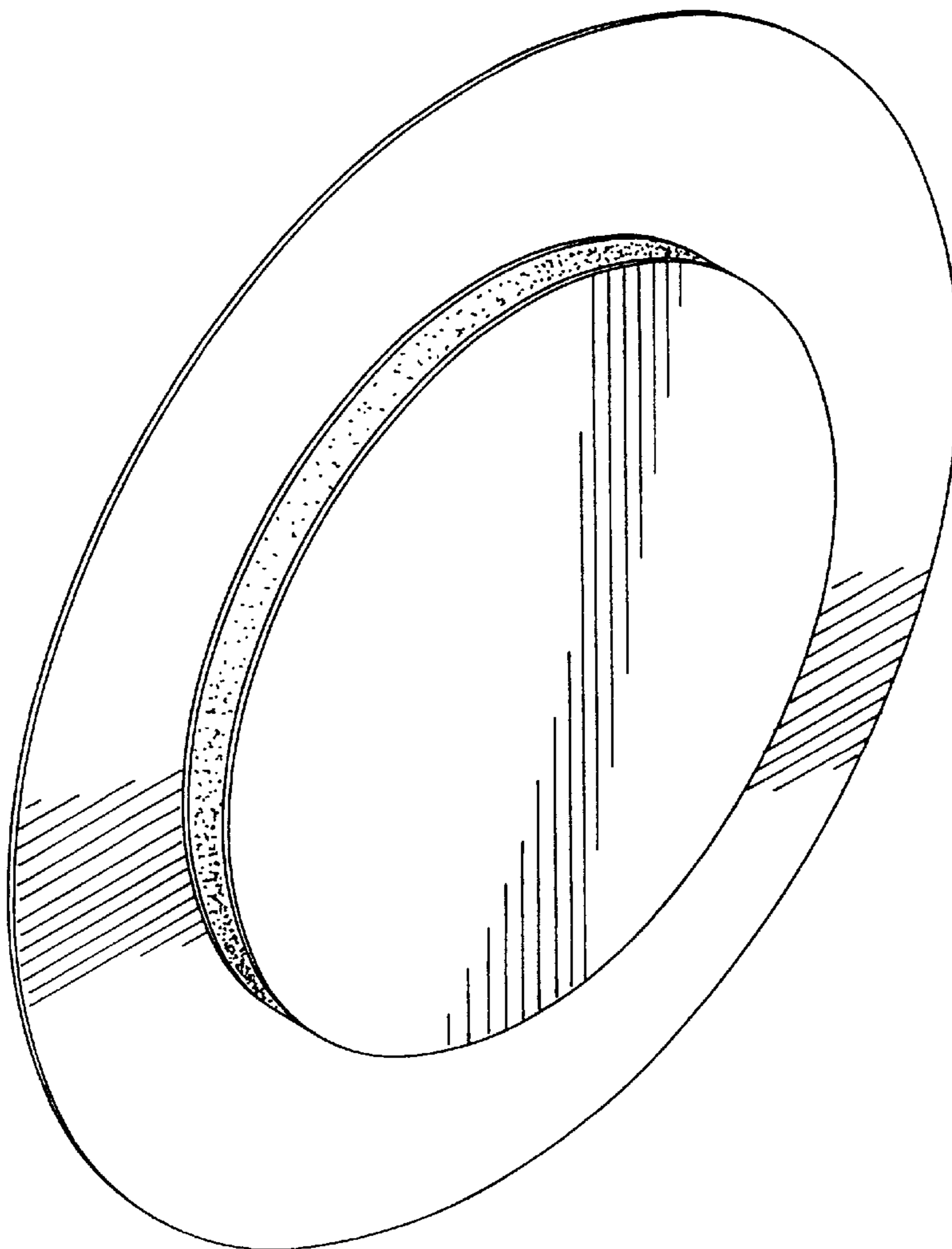
FIG. 1 is an isometric view taken from the right rear of a sheet rock plug constructed in accordance with the present invention;

FIG. 2 is a rear view thereof;

FIG. 3 is a left-side view of the sheet rock plug shown in FIG. 1, the right-side view being a mirror image thereof; and,

FIG. 4 is a front view of the sheet rock plug shown in FIG. 1.

1 Claim, 2 Drawing Sheets



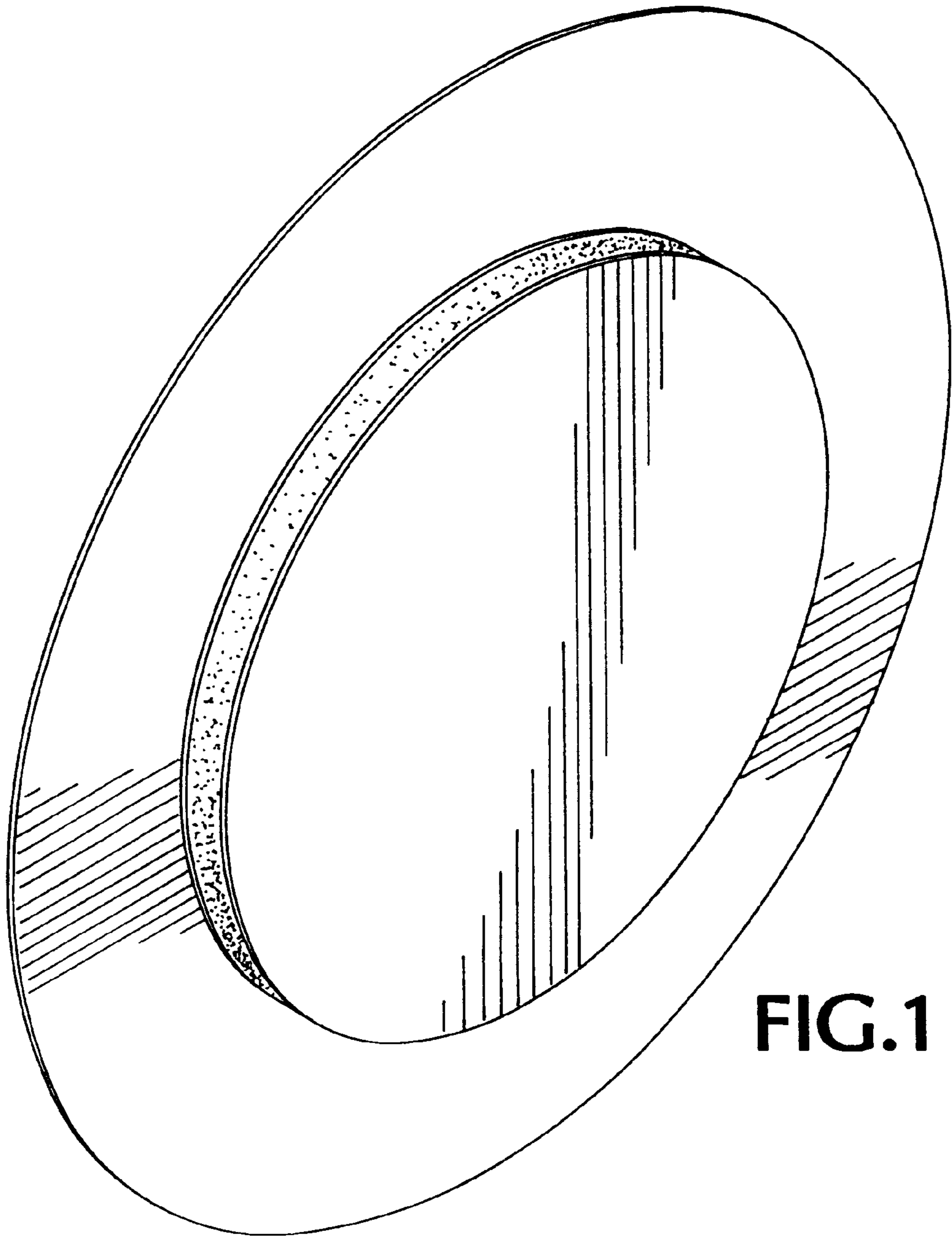


FIG. 1

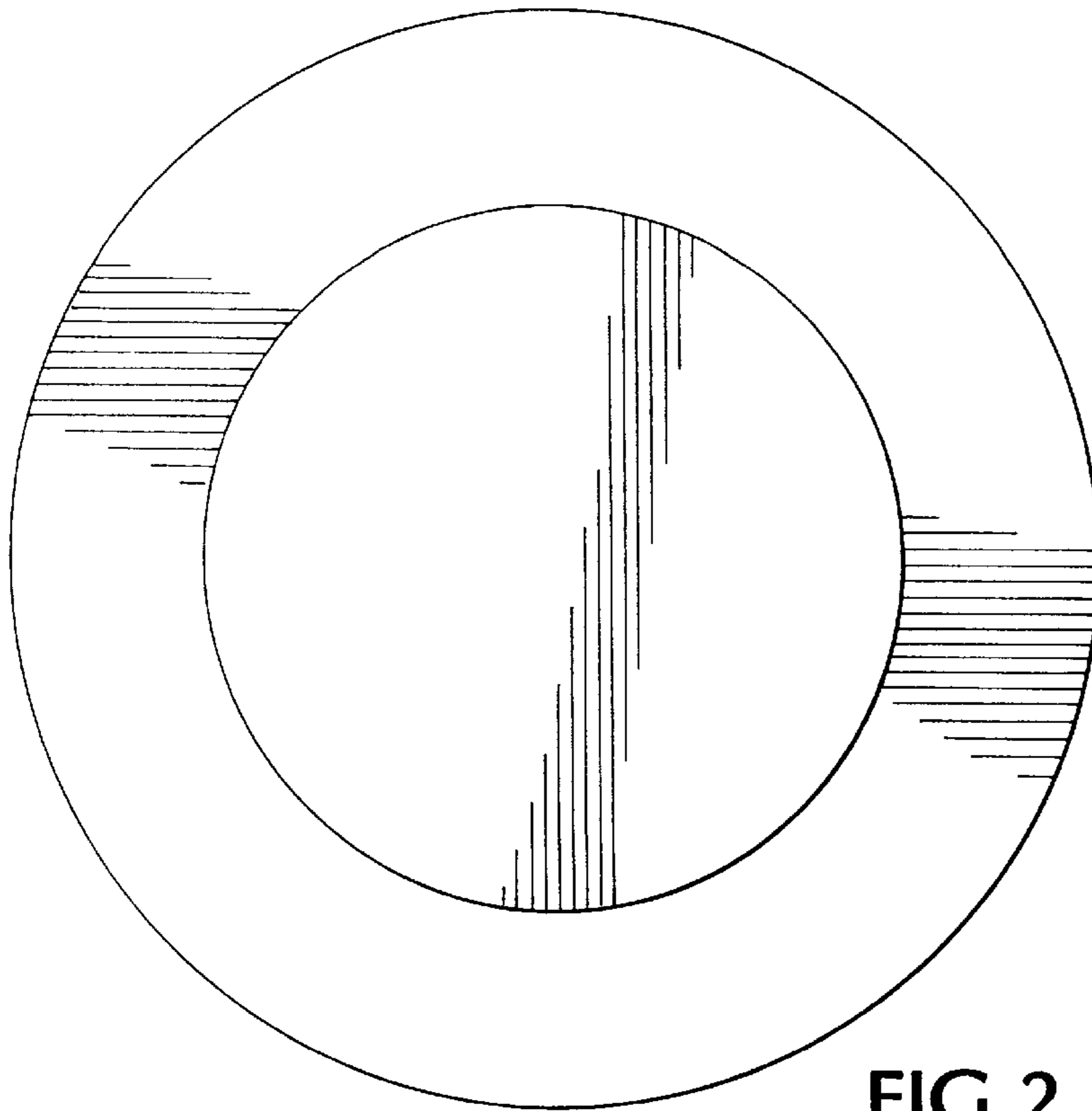


FIG. 2



FIG. 3

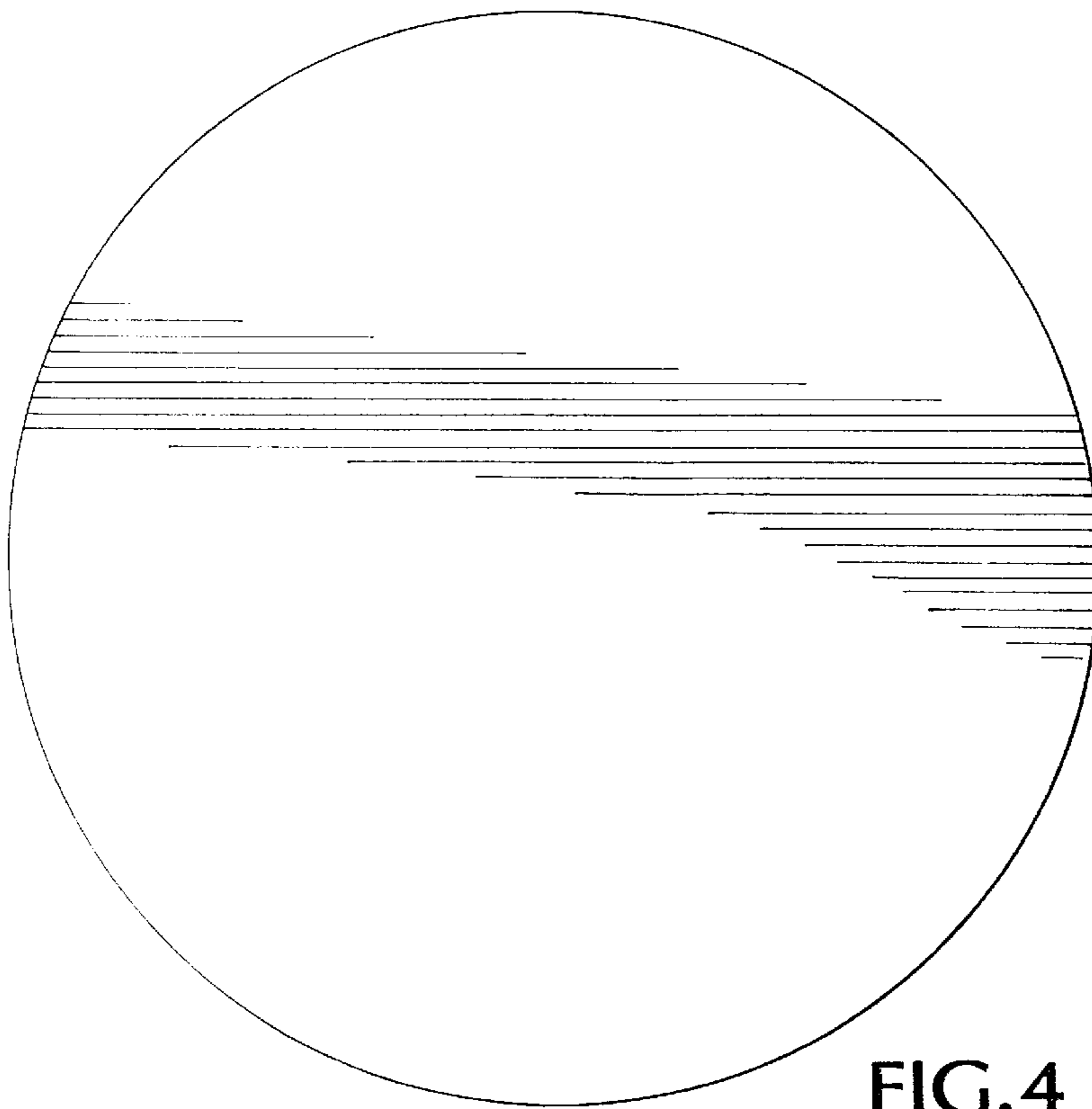


FIG. 4