

US00D409888S

United States Patent [19]

So

[11] Patent Number: **Des. 409,888**

[45] Date of Patent: **** May 18, 1999**

[54] **CAN OPENER**

[76] Inventor: **Shun So**, 2/F., Chuan Yuan Factory Building, 342-344 Kwun Tong Road, Kwun Tong, Kowloon, The Hong Kong Special Administrative Region of the People's Republic of China

[**] Term: **14 Years**

[21] Appl. No.: **29/092,032**

[22] Filed: **Aug. 11, 1998**

[30] Foreign Application Priority Data

Mar. 6, 1998 [GB] United Kingdom 2073058

[51] **LOC (6) Cl.** **07-99**

[52] **U.S. Cl.** **D8/39; D8/41**

[58] **Field of Search** D8/33-43, 18, D8/19; 30/400-443; 81/3.07-3.49; 7/151-156

[56] References Cited

U.S. PATENT DOCUMENTS

D. 269,151 5/1983 Schulein D8/39

D. 282,521	2/1986	Steinko	D8/39
D. 292,866	11/1987	Barnett	D8/41
4,825,554	5/1989	Koo	30/417
5,181,322	1/1993	Koo	30/416
5,581,897	12/1996	Liebscher	30/416

Primary Examiner—Jeffrey Asch
Attorney, Agent, or Firm—Darby & Darby

[57] CLAIM

The ornamental design for a can opener, as shown and described.

DESCRIPTION

FIG. 1 is a top plan view of a can opener showing my new design;
FIG. 2 is a front elevational view thereof;
FIG. 3 is a bottom plan view thereof;
FIG. 4 is a rear elevational view thereof;
FIG. 5 is a right side elevational view thereof;
FIG. 6 is a left side elevational view thereof;
FIG. 7 is a perspective view thereof, as viewed from the bottom; and,
FIG. 8 is a perspective view thereof, as viewed from the top.

1 Claim, 4 Drawing Sheets

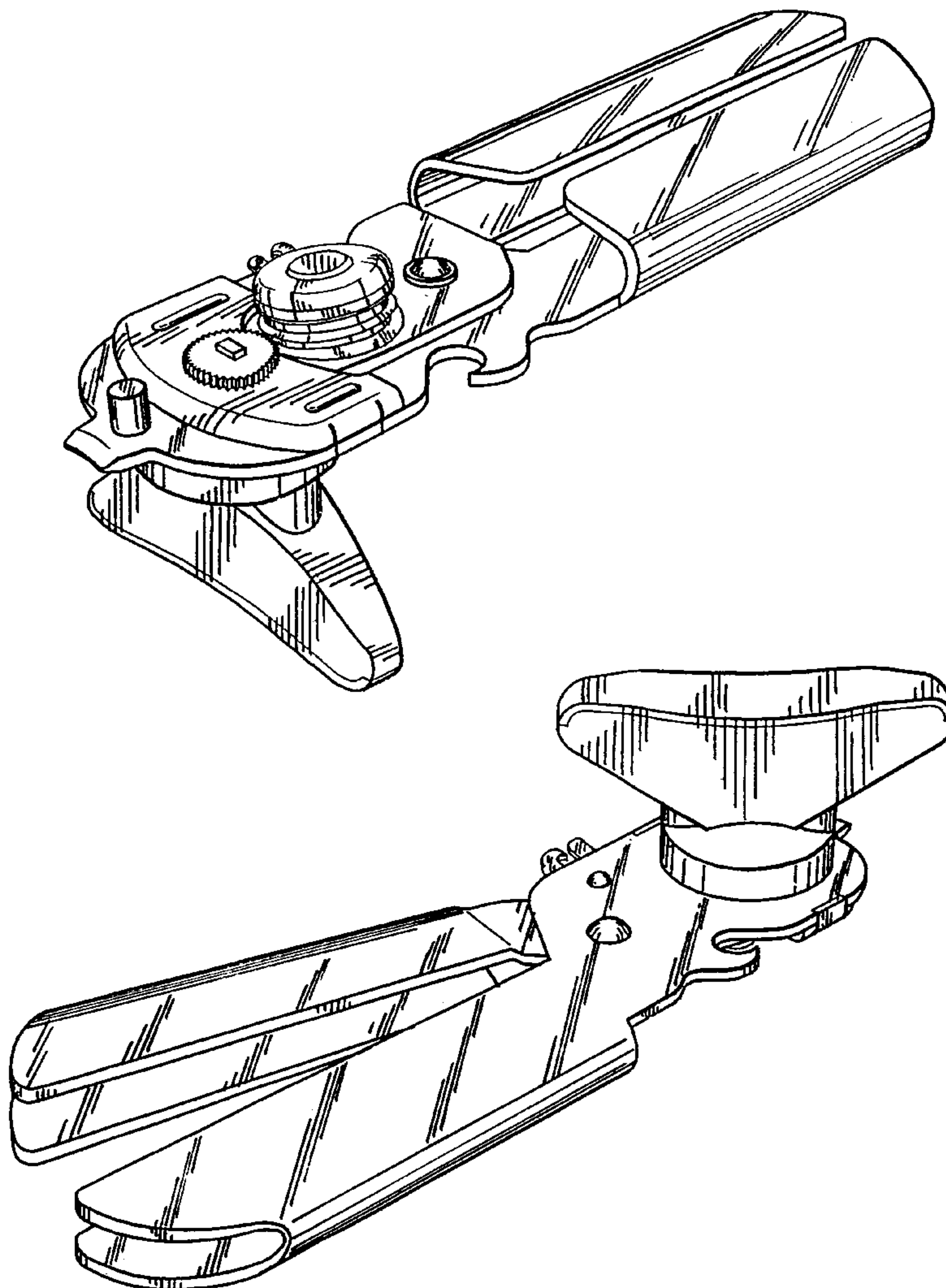


FIG. 1

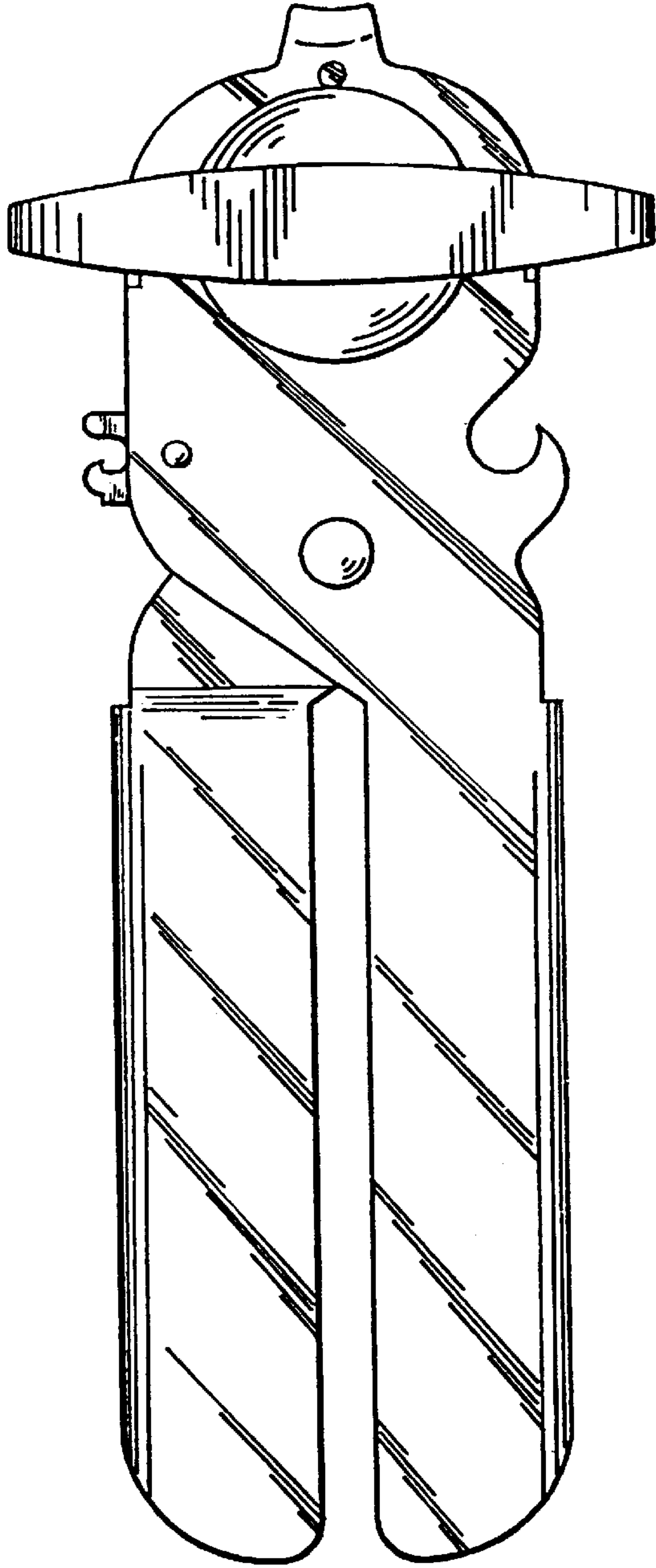


FIG. 2

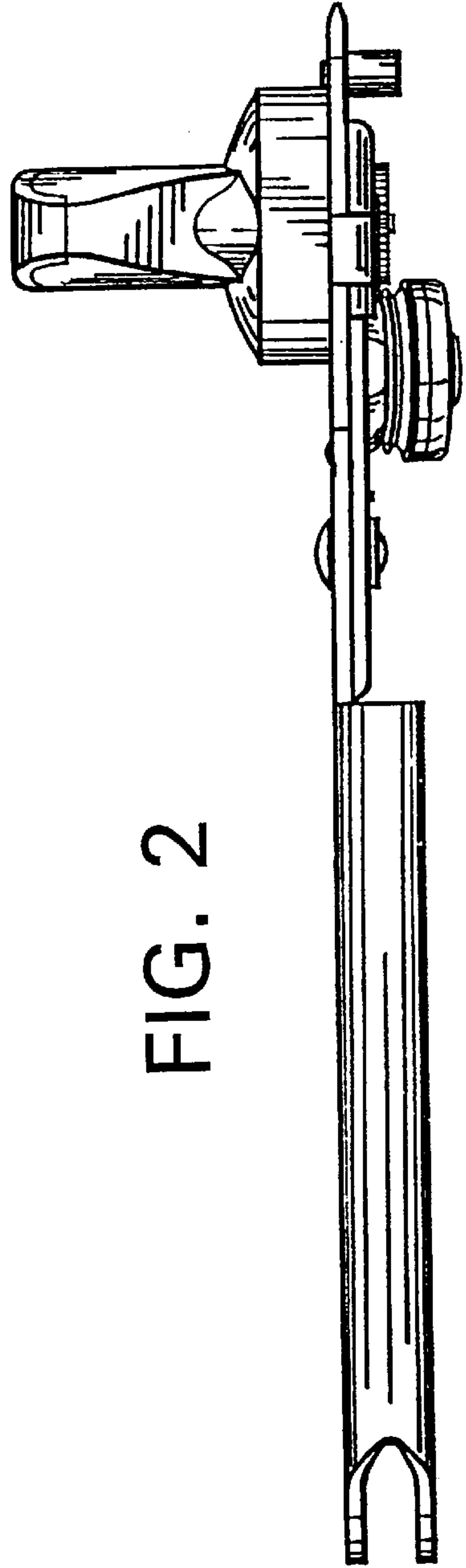


FIG. 3

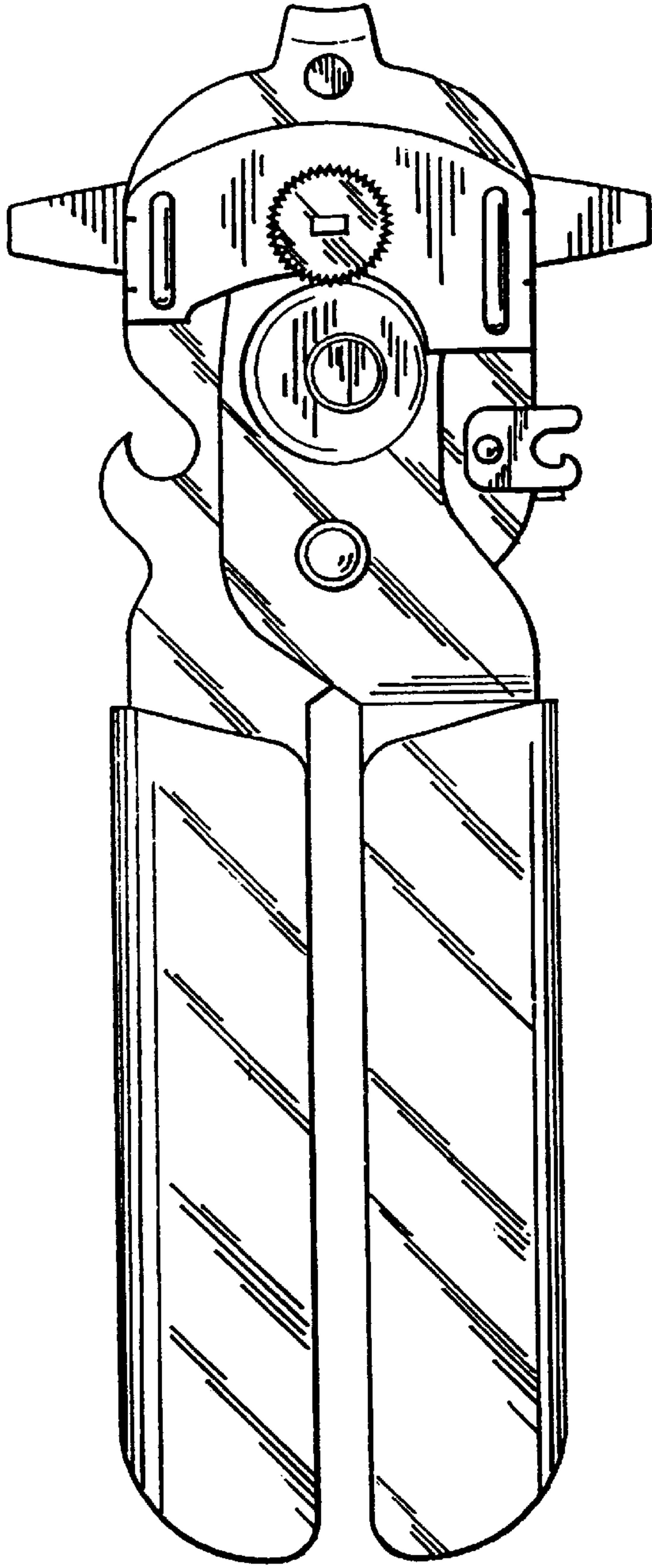


FIG. 4

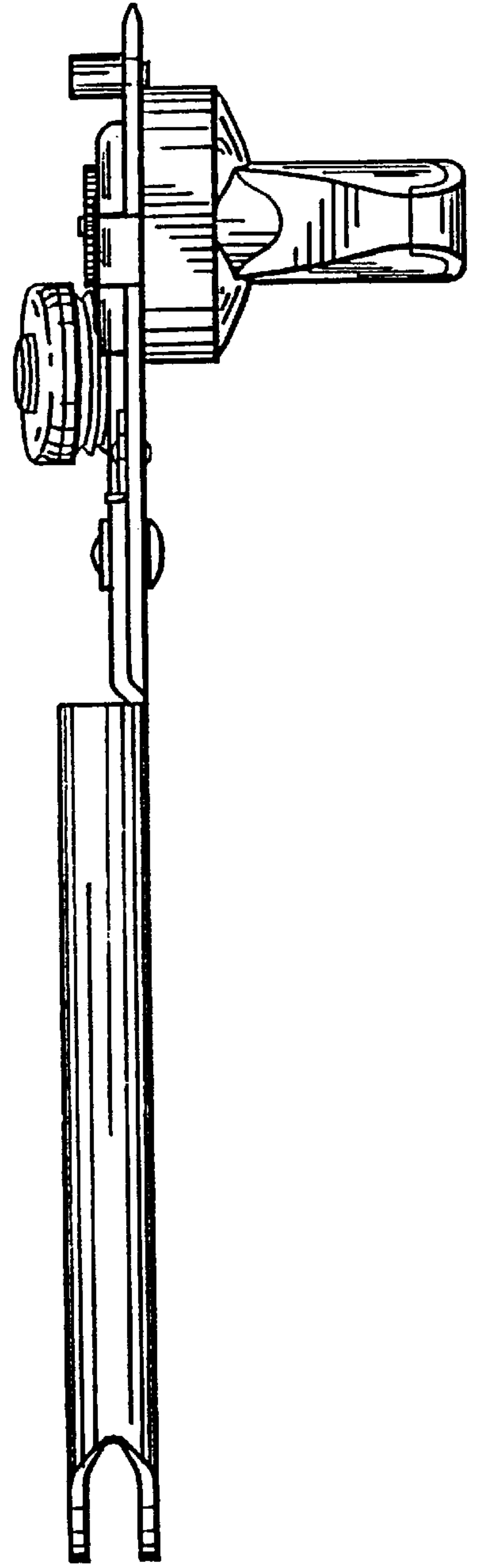


FIG. 5

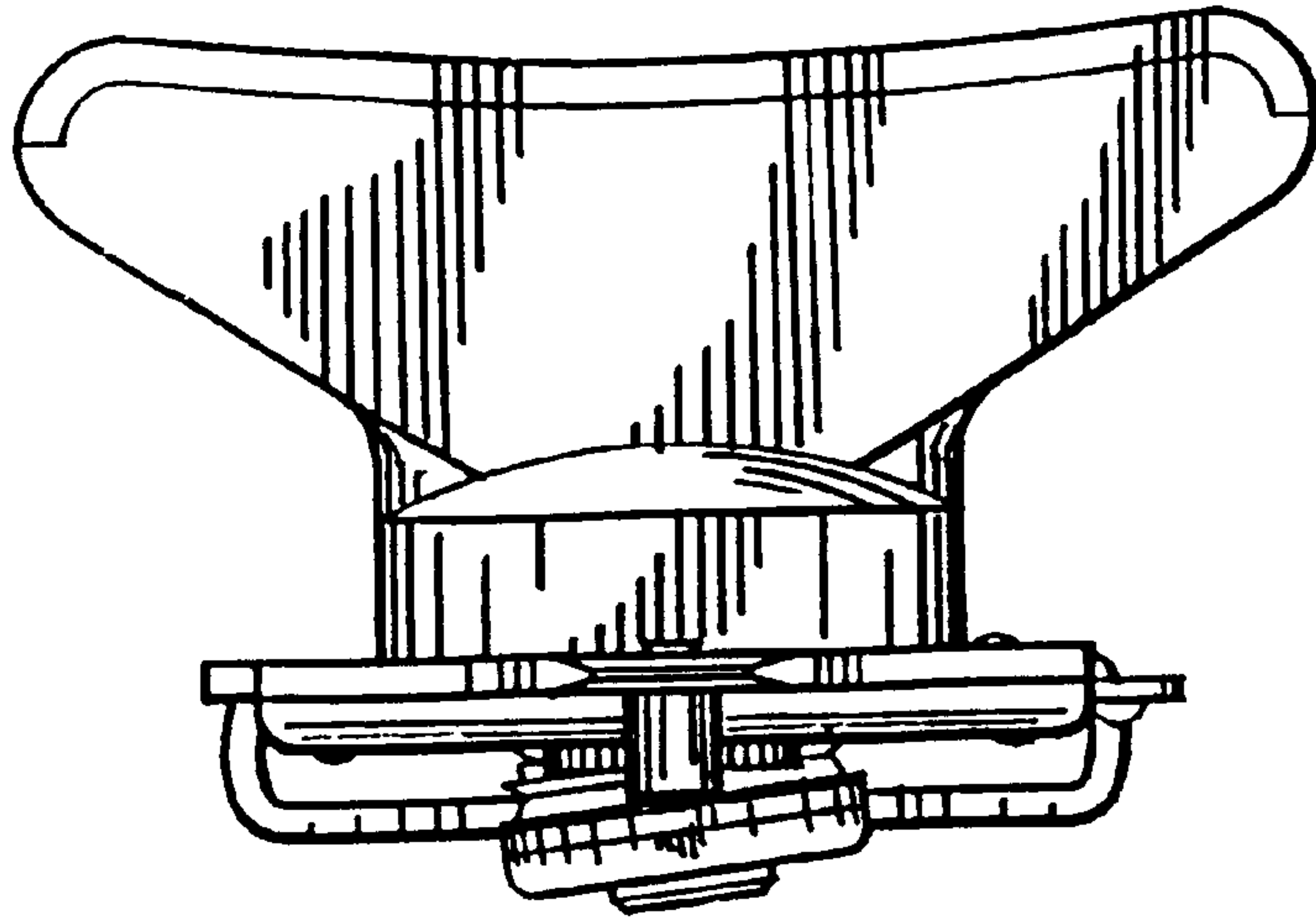


FIG. 6

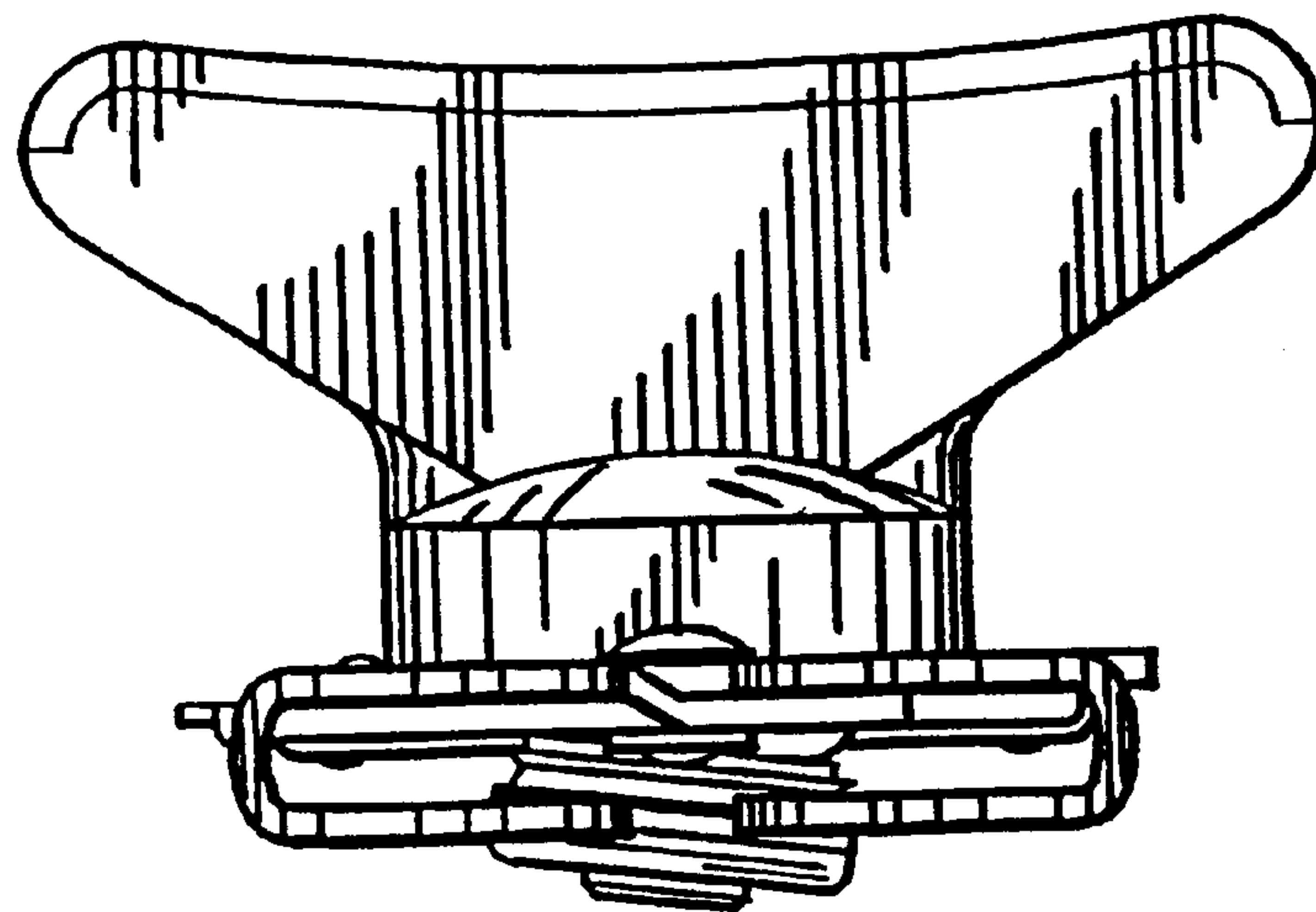


FIG. 7

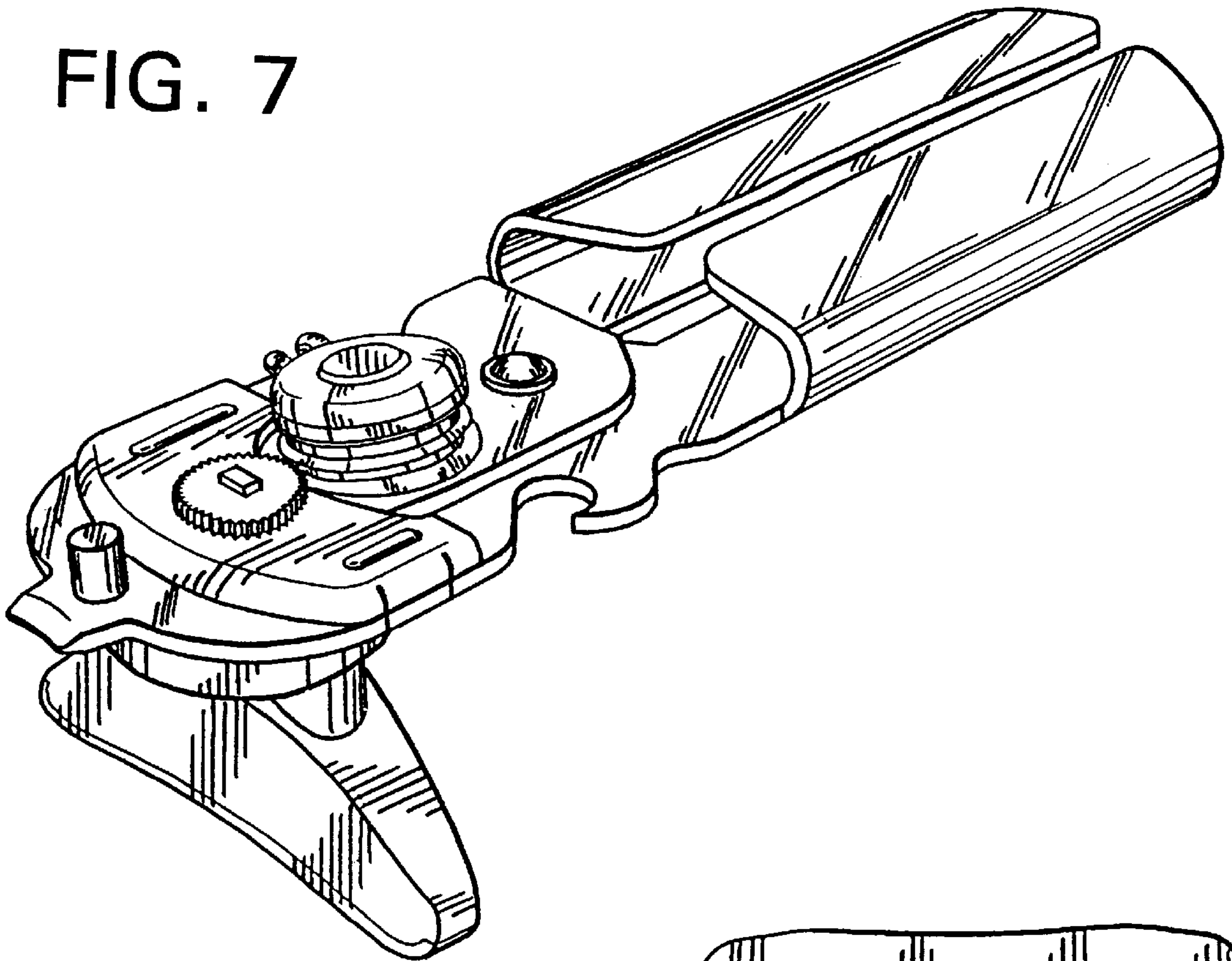


FIG. 8

