



US00D409887S

**United States Patent** [19]  
**Mason**

[11] **Patent Number: Des. 409,887**

[45] **Date of Patent: \*\* May 18, 1999**

[54] **DETACHABLE STEP MEMBER**

[76] Inventor: **Robert J. Mason**, P.O. Box 966,  
Hugoton, Kans. 67951

[\*\*] Term: **14 Years**

[21] Appl. No.: **29/091,388**

[22] Filed: **Jul. 29, 1998**

[51] **LOC (6) Cl. .... 08-05**

[52] **U.S. Cl. .... D8/14; D25/69**

[58] **Field of Search .... D8/14, 349; D25/69;**  
182/92

[56] **References Cited**

**U.S. PATENT DOCUMENTS**

D. 324,130	2/1992	Matsumoto et al. ....	D25/69 X
D. 338,814	8/1993	Wright et al. ....	D8/14
D. 351,030	9/1994	Laughlin et al. ....	D25/69
4,249,635	2/1981	West ....	182/92

*Primary Examiner*—Ted Shooman  
*Assistant Examiner*—Richelle Shelton  
*Attorney, Agent, or Firm*—Townsend and Townsend and Crew

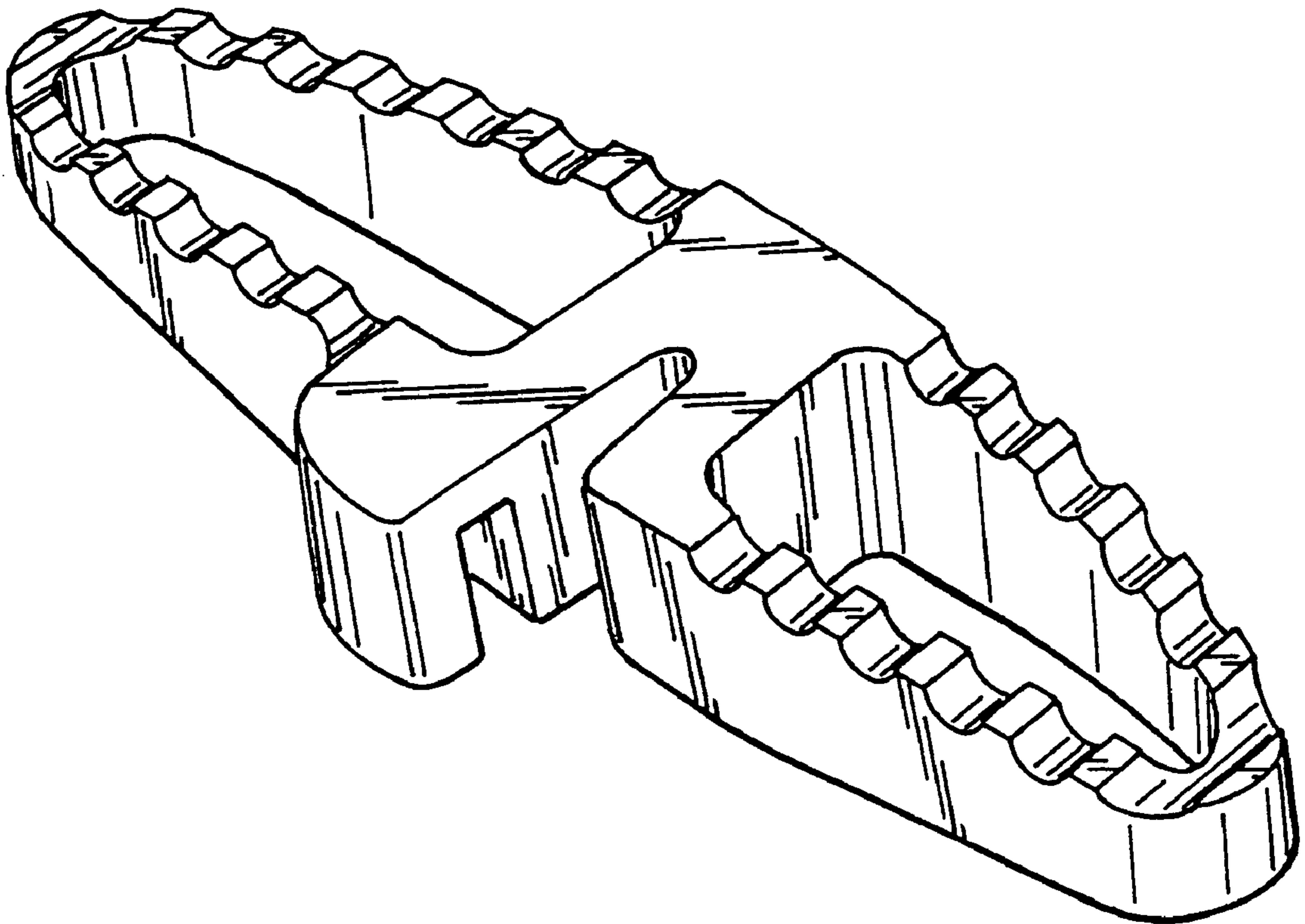
[57] **CLAIM**

The ornamental design for a detachable step member, as shown and described.

**DESCRIPTION**

FIG. 1 is a top perspective view of my new design;  
FIG. 2 is a bottom perspective view of my design;  
FIG. 3 is a top plan view thereof;  
FIG. 4 is a front elevational view thereof;  
FIG. 5 is a side elevational view of a side thereof;  
FIG. 6 is a side elevational view of a side thereof which is opposed to the side shown in FIG. 5;  
FIG. 7 is a rear elevational view thereof; and,  
FIG. 8 is a bottom plan view thereof.

**1 Claim, 2 Drawing Sheets**



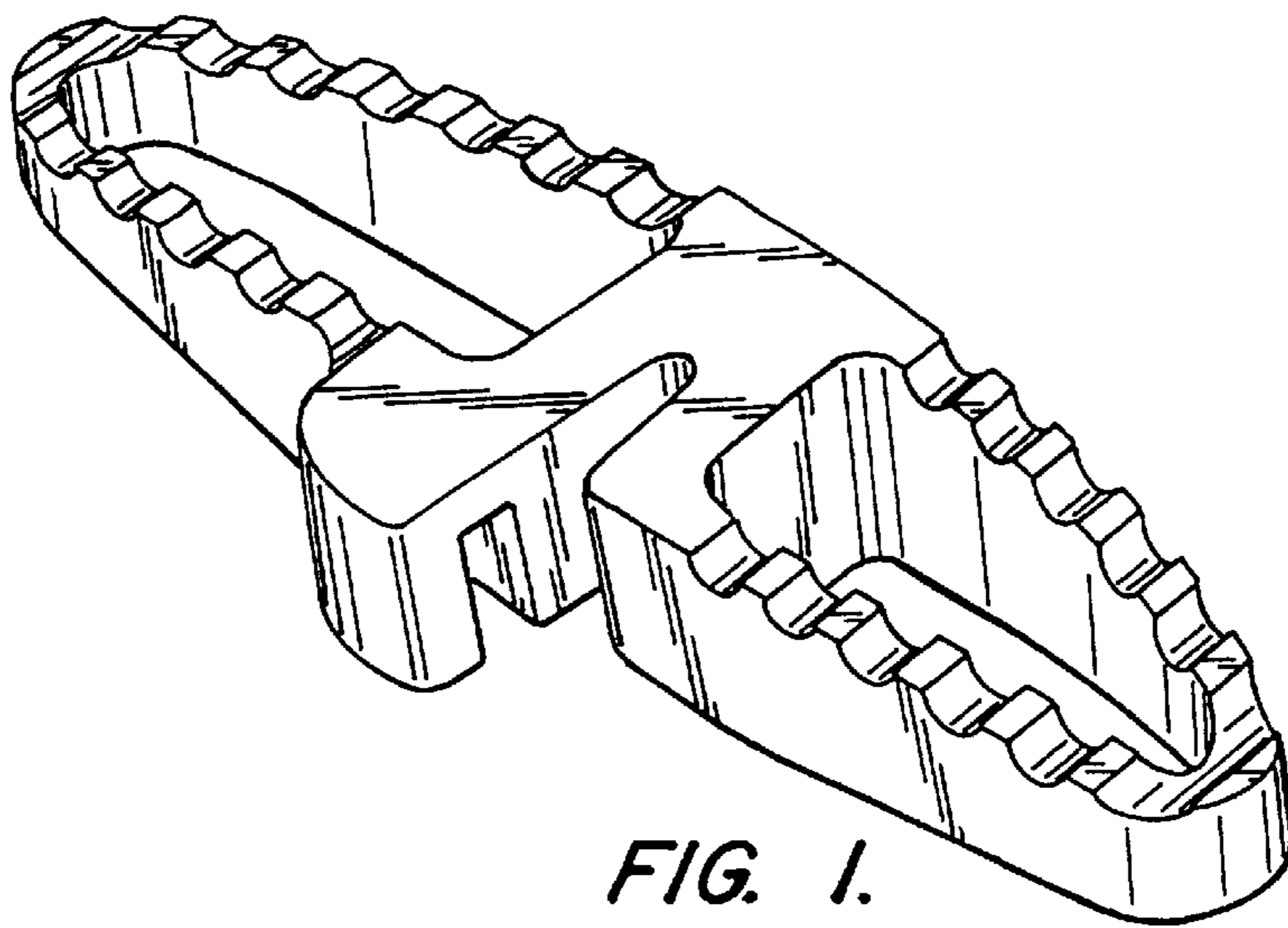


FIG. 1.

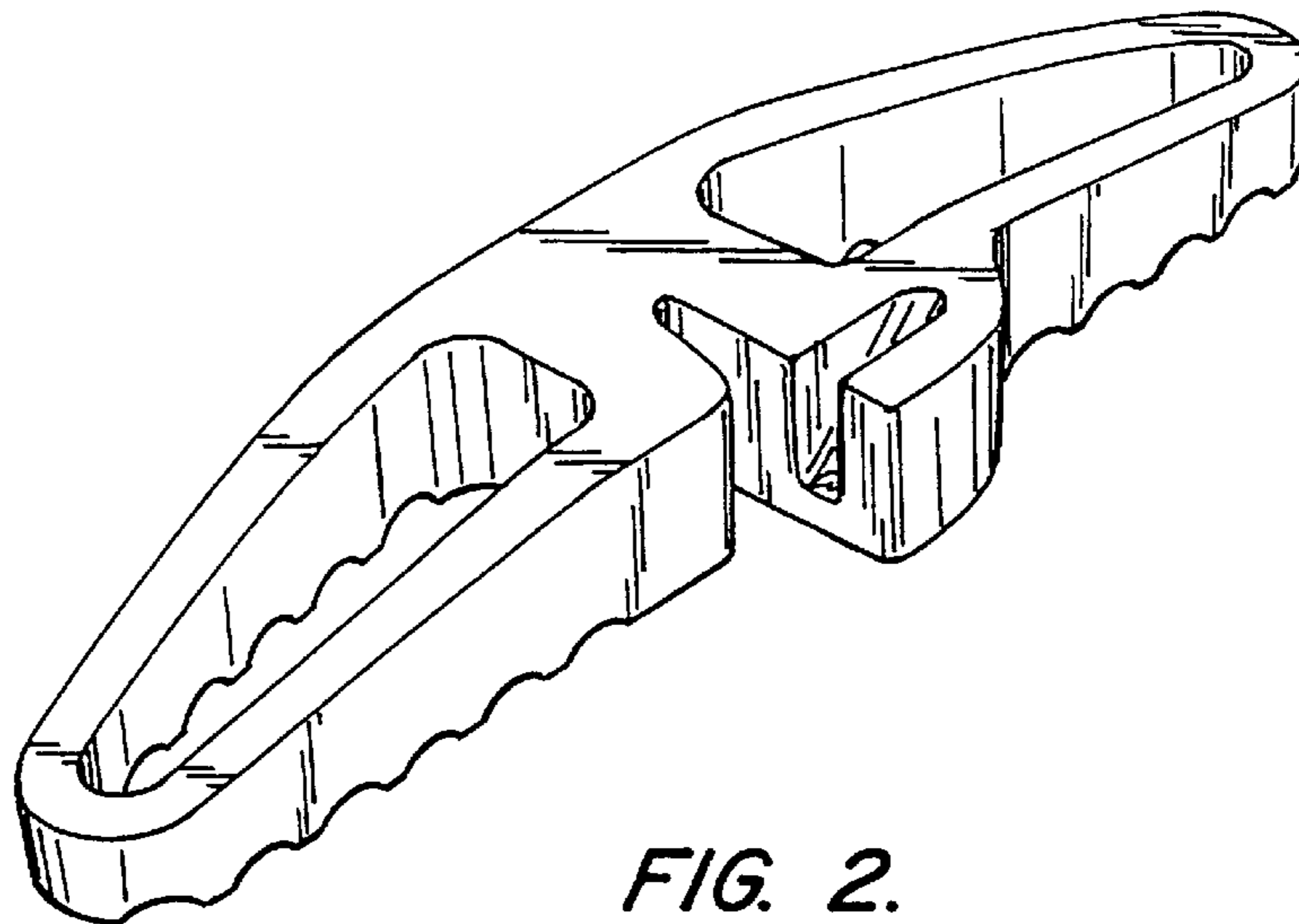


FIG. 2.

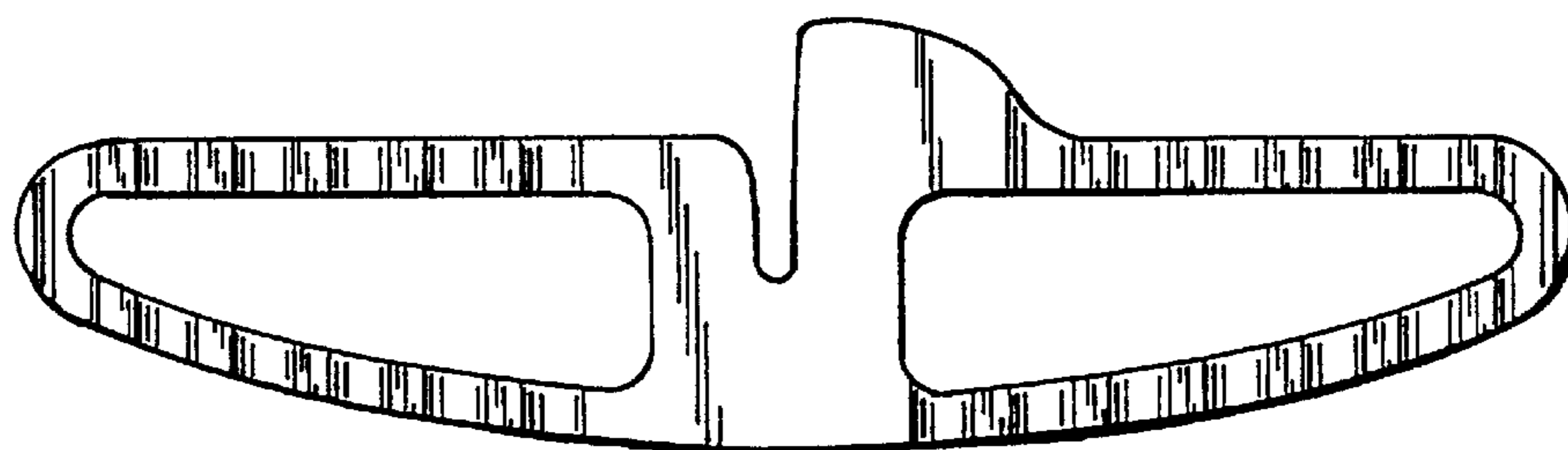


FIG. 3.

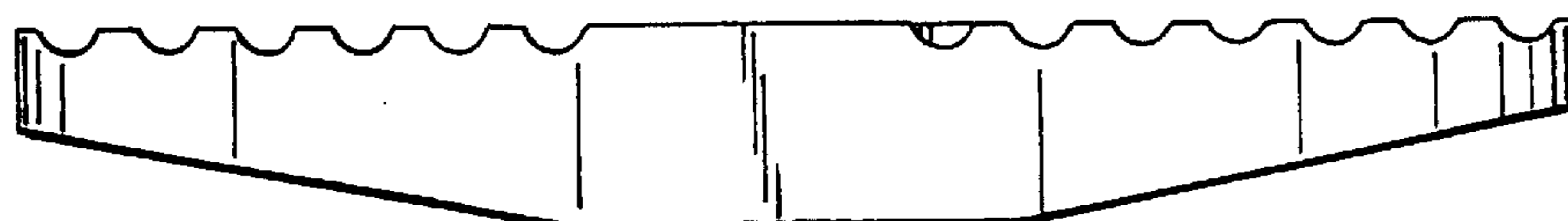
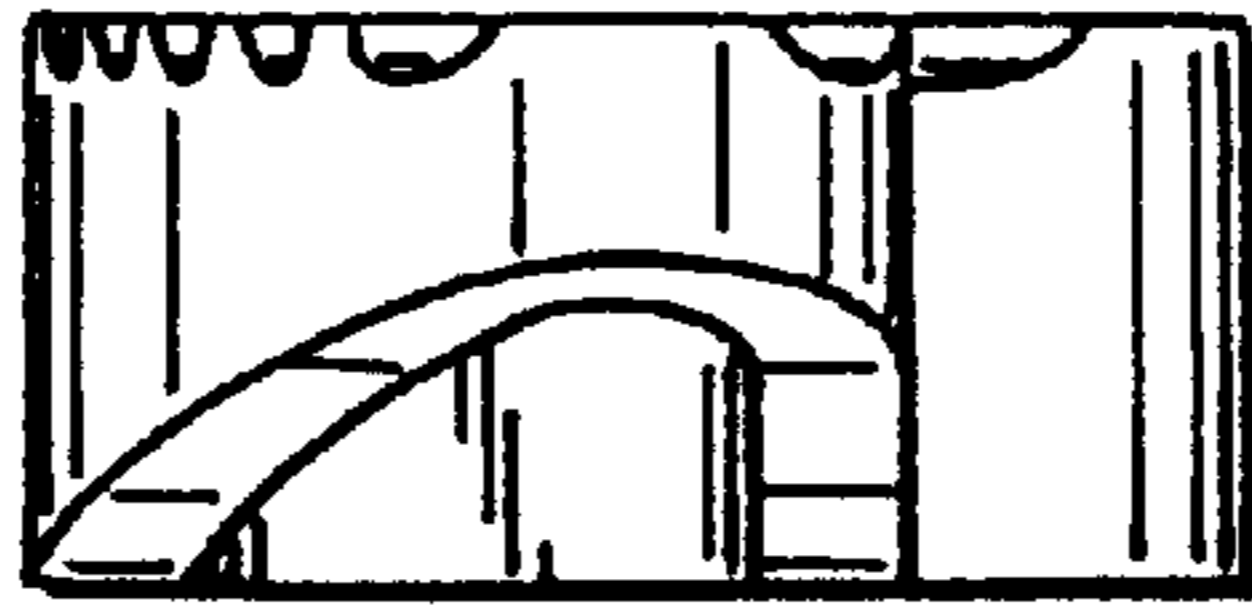
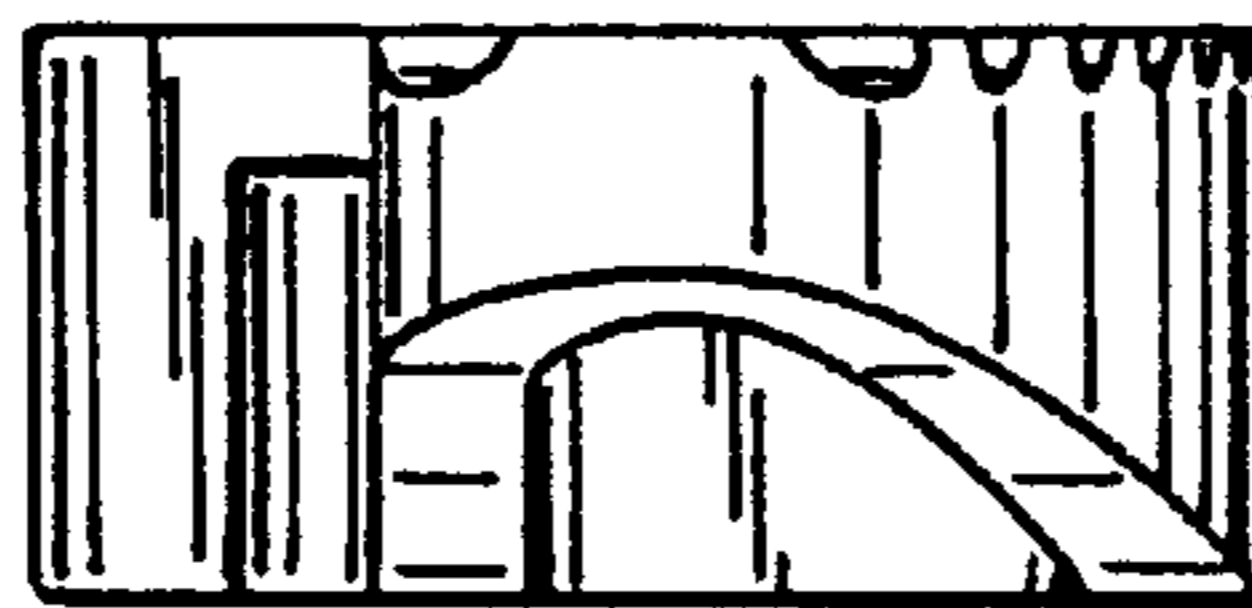


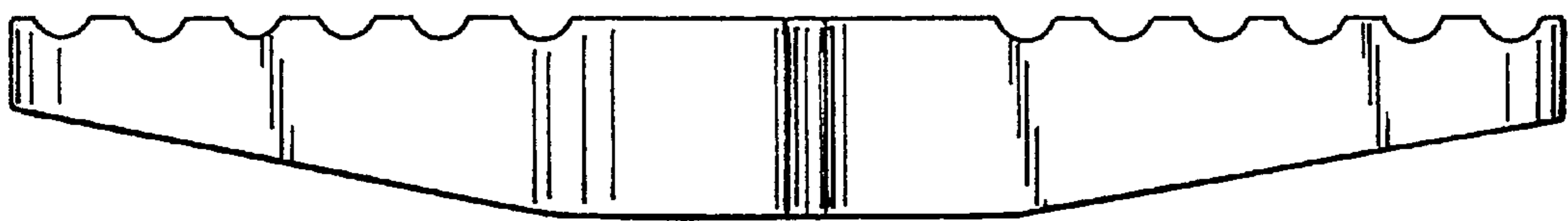
FIG. 4.



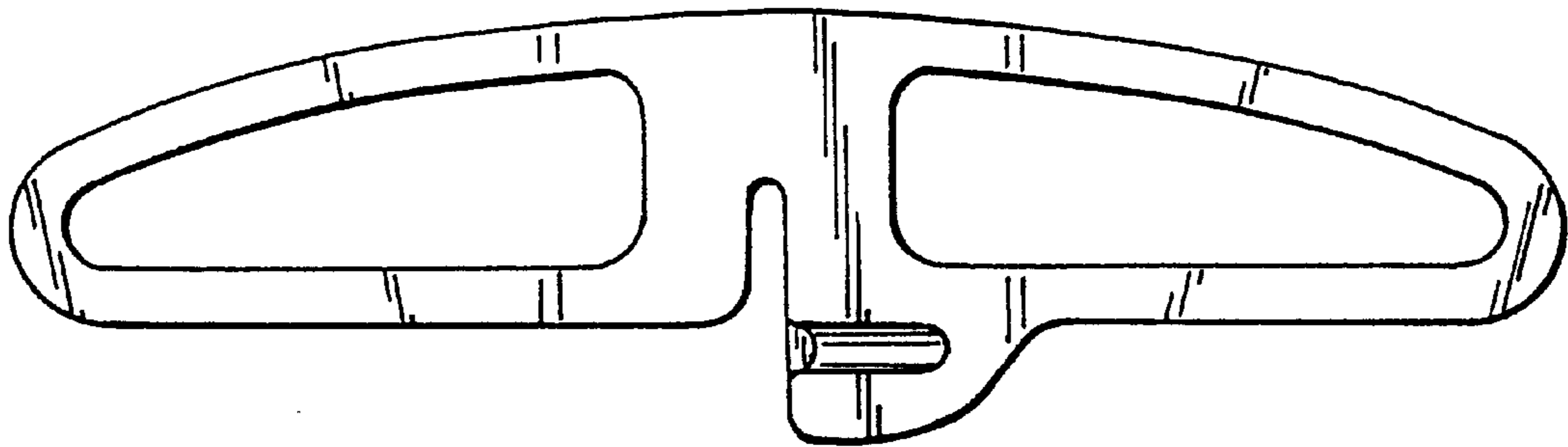
*FIG. 5.*



*FIG. 6.*



*FIG. 7.*



*FIG. 8.*