



US00D409885S

United States Patent [19] McKenzie

[11] **Patent Number: Des. 409,885**

[45] **Date of Patent: ** May 18, 1999**

[54] **SHOVEL**

[76] Inventor: **James M. McKenzie**, 3613 W. River Ct., Mequon, Wis. 53092

[**] Term: **14 Years**

[21] Appl. No.: **29/080,804**

[22] Filed: **Dec. 16, 1997**

[51] **LOC (6) Cl.** **08-10**

[52] **U.S. Cl.** **D8/10**

[58] **Field of Search** D8/10; 294/49, 294/54.5, 55, 56, 51

[56] **References Cited**

U.S. PATENT DOCUMENTS

4,538,847 9/1985 Lapshansky 294/51
5,440,828 8/1995 Simpson 294/54.5

Primary Examiner—Holly Baynham

Attorney, Agent, or Firm—Andrus, Scales, Starke & Sawall

[57] **CLAIM**

The ornamental design for a shovel, as shown and described.

DESCRIPTION

FIG. 1 is an isometric view of a shovel in accordance with the present invention;

FIG. 2 is a top plan view of the shovel of FIG. 1;

FIG. 3 is a front elevational view of the shovel of FIG. 1;

FIG. 4 is a side elevational view of the shovel of FIG. 1;

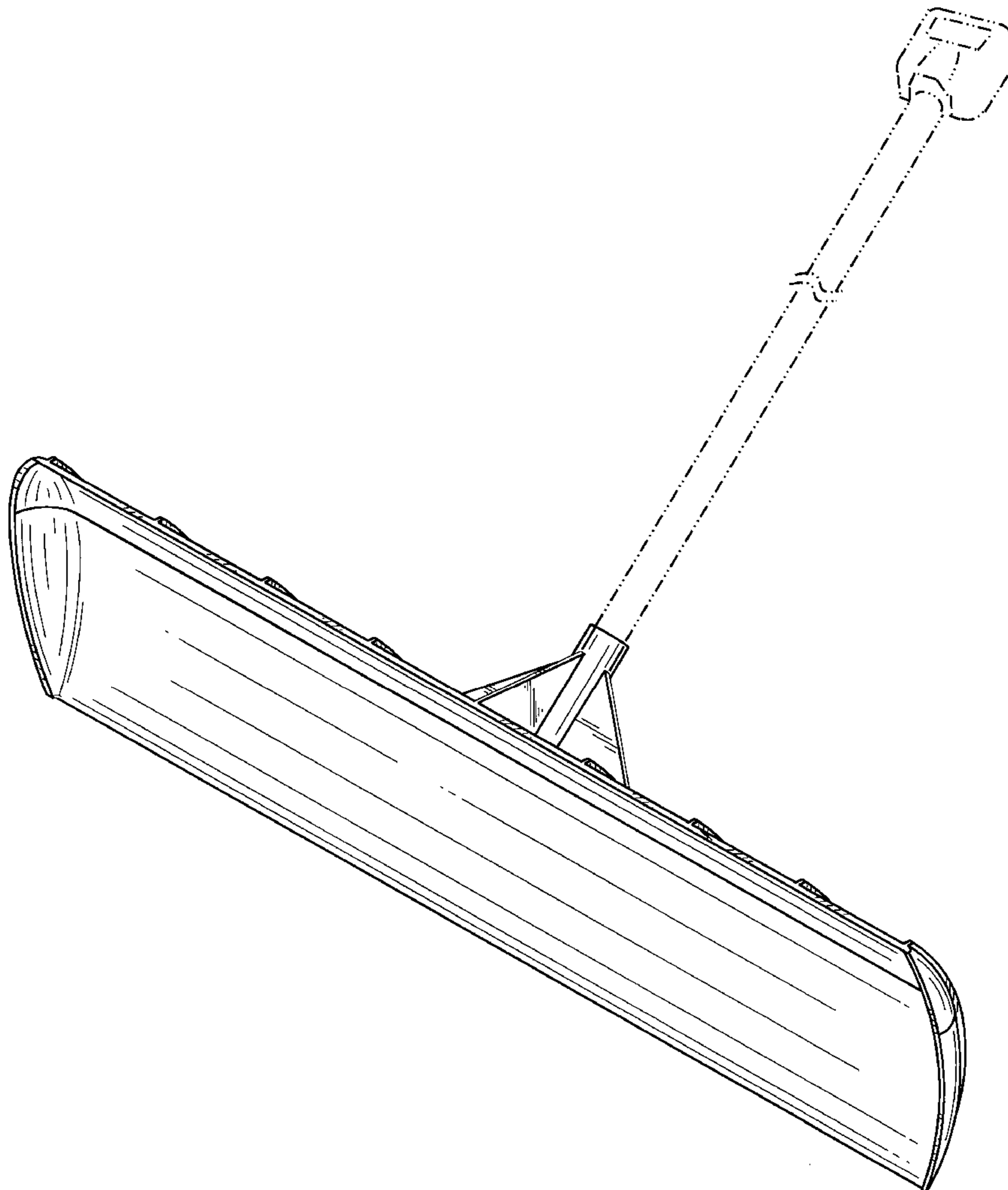
FIG. 5 is an opposite side elevational view of the shovel of FIG. 1;

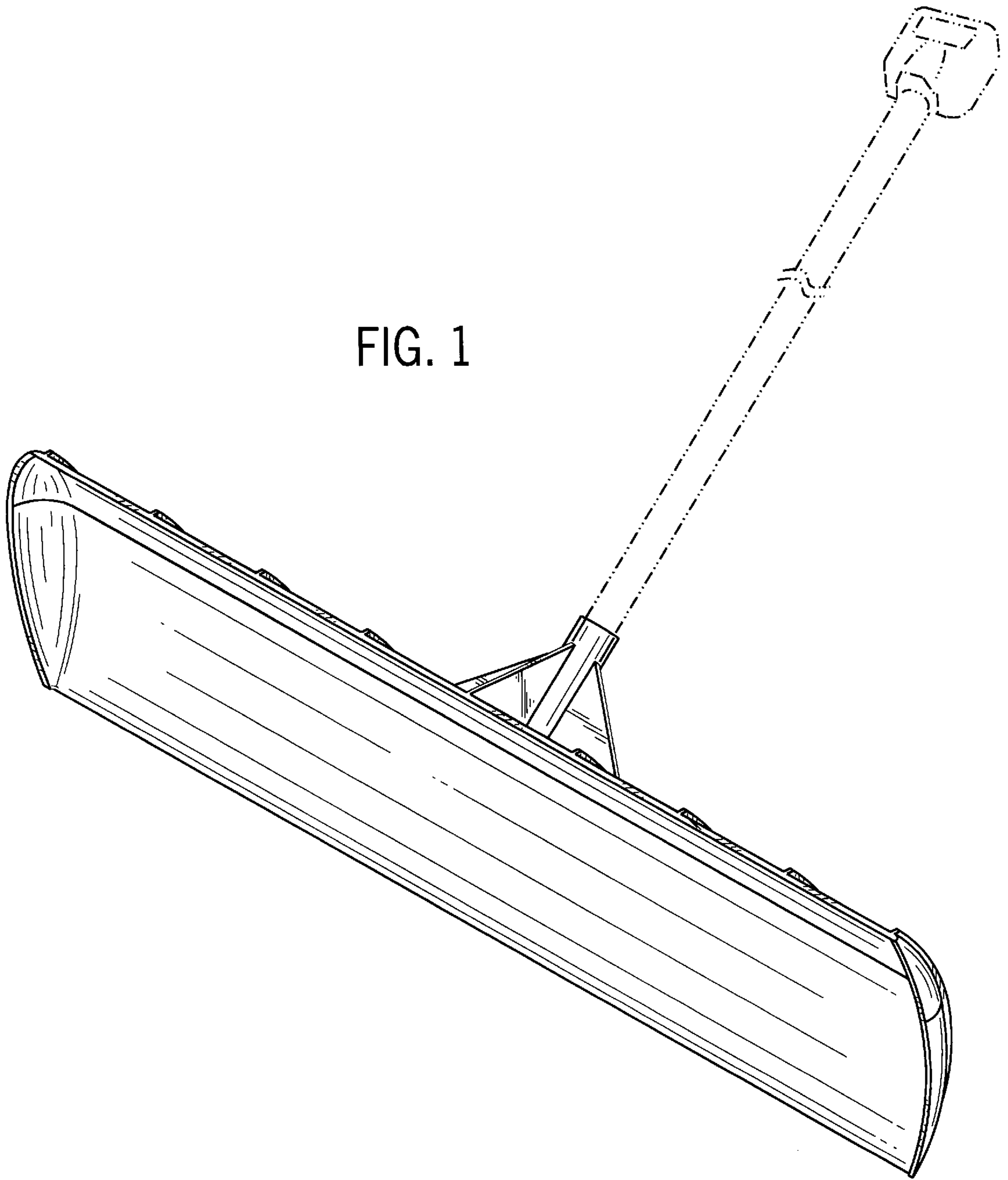
FIG. 6 is a rear elevational view of the shovel of FIG. 1; and,

FIG. 7 is a bottom plan view of the shovel of FIG. 1.

The broken line showing of a shovel shaft is for illustrative purposes only and forms no part of the claimed design.

1 Claim, 7 Drawing Sheets





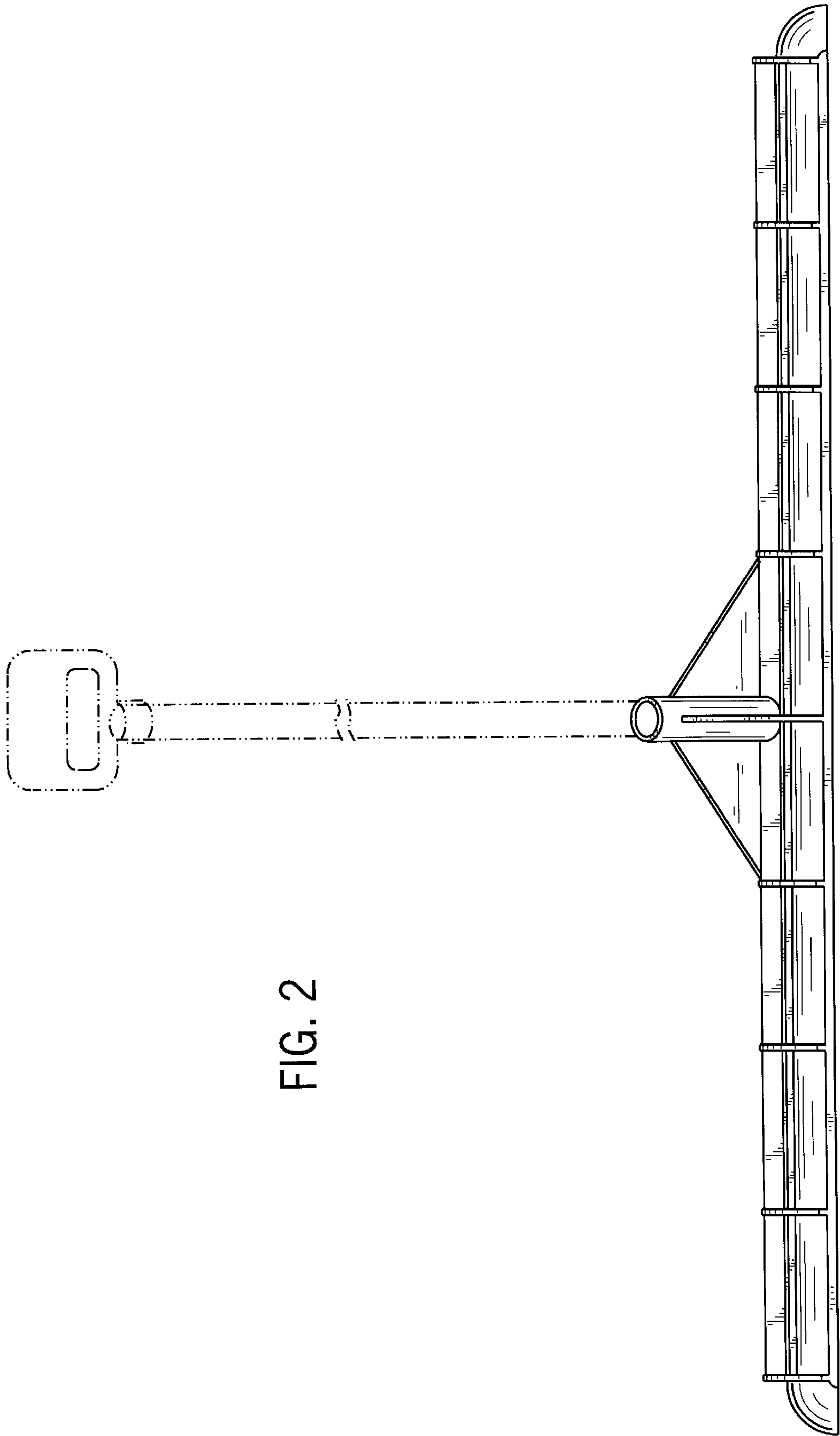


FIG. 2

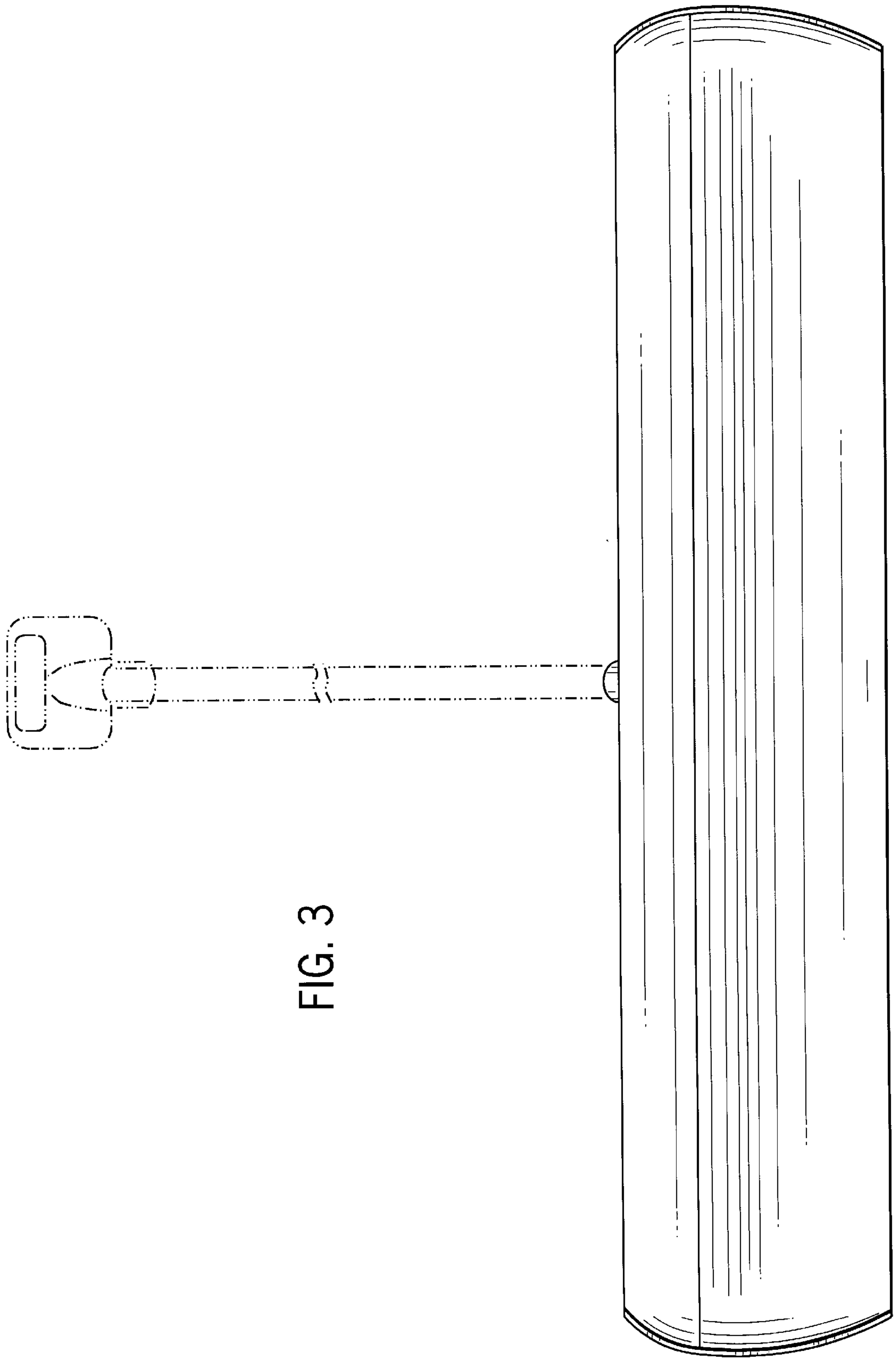


FIG. 3

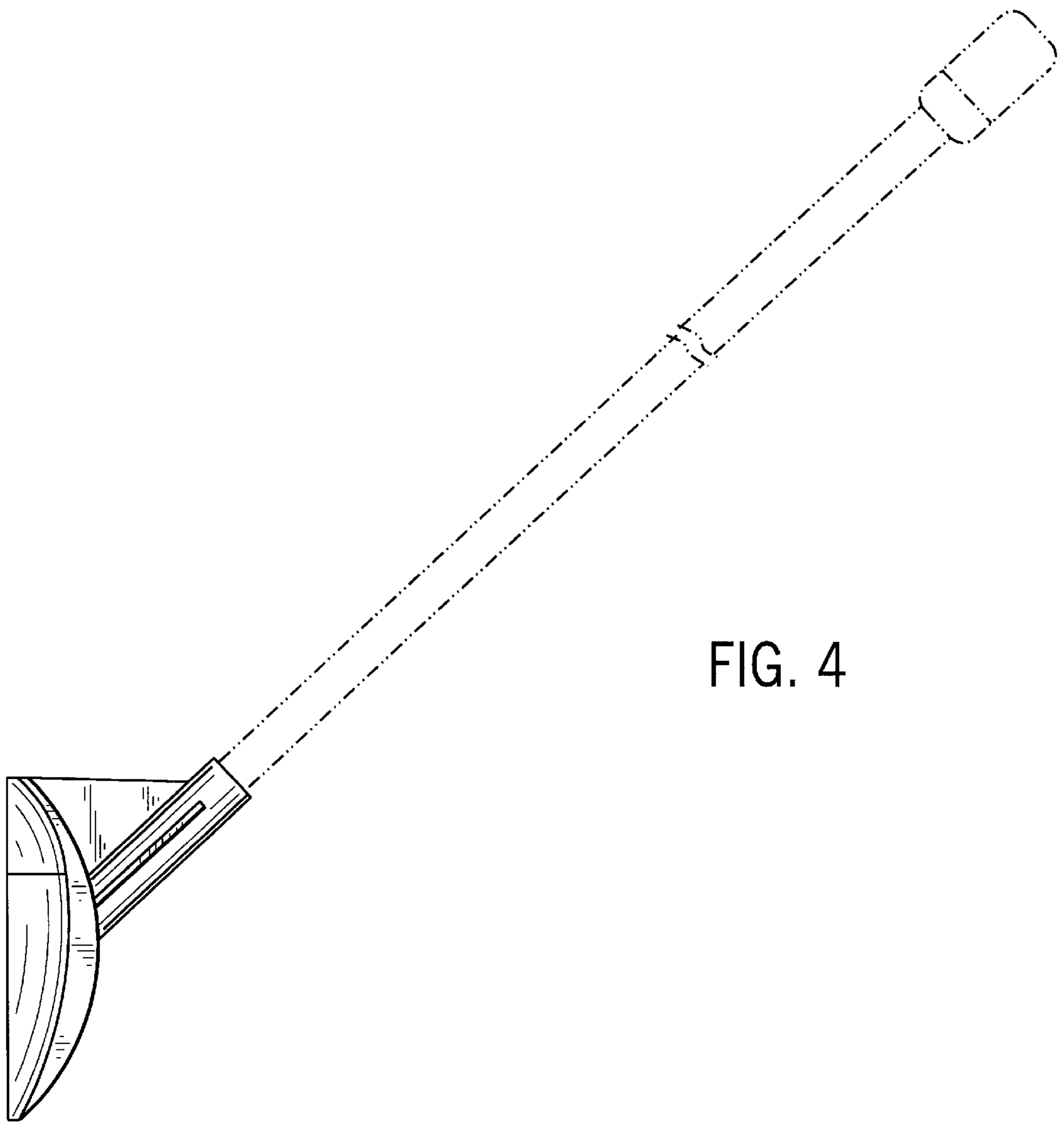


FIG. 4

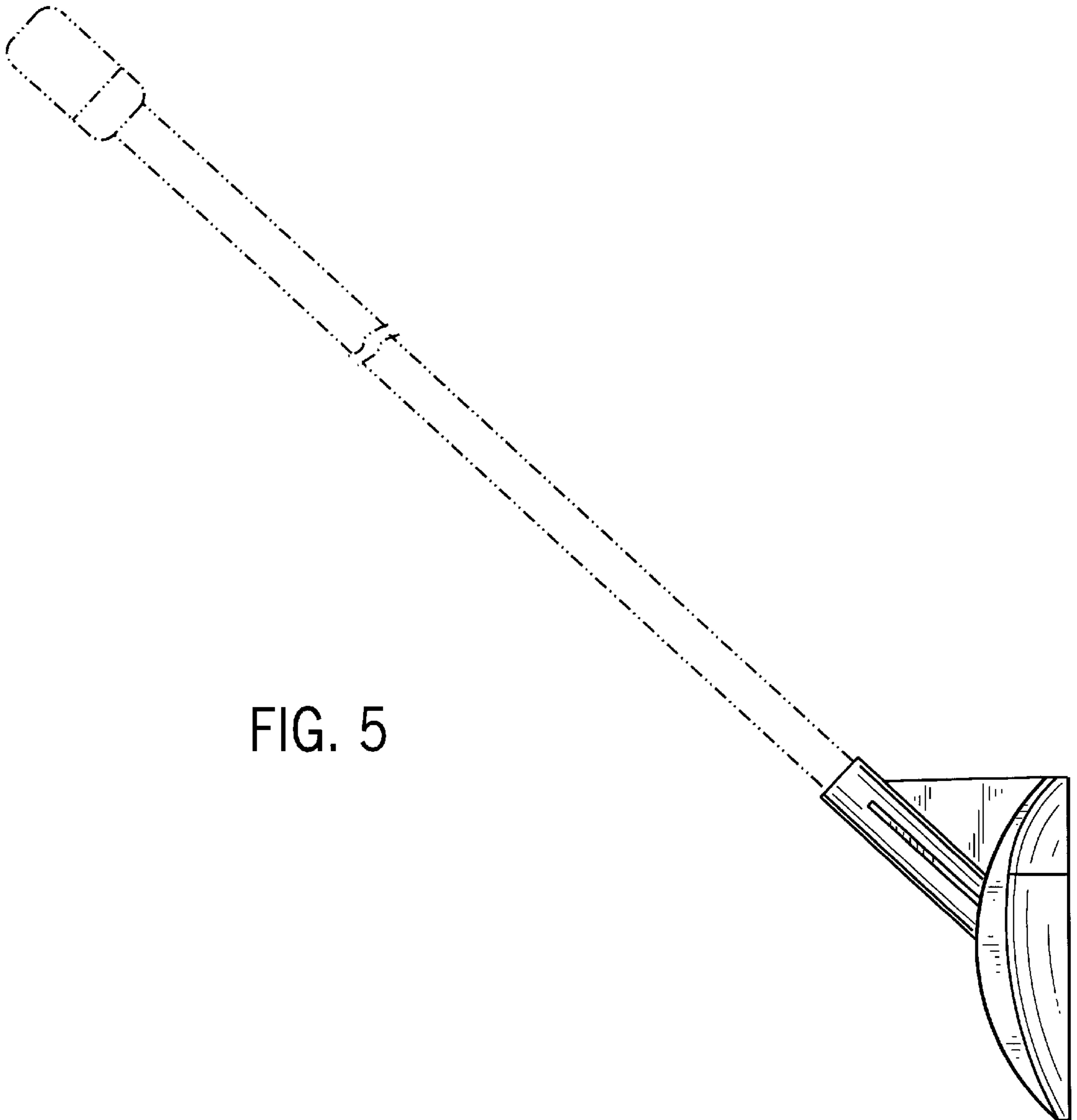


FIG. 5

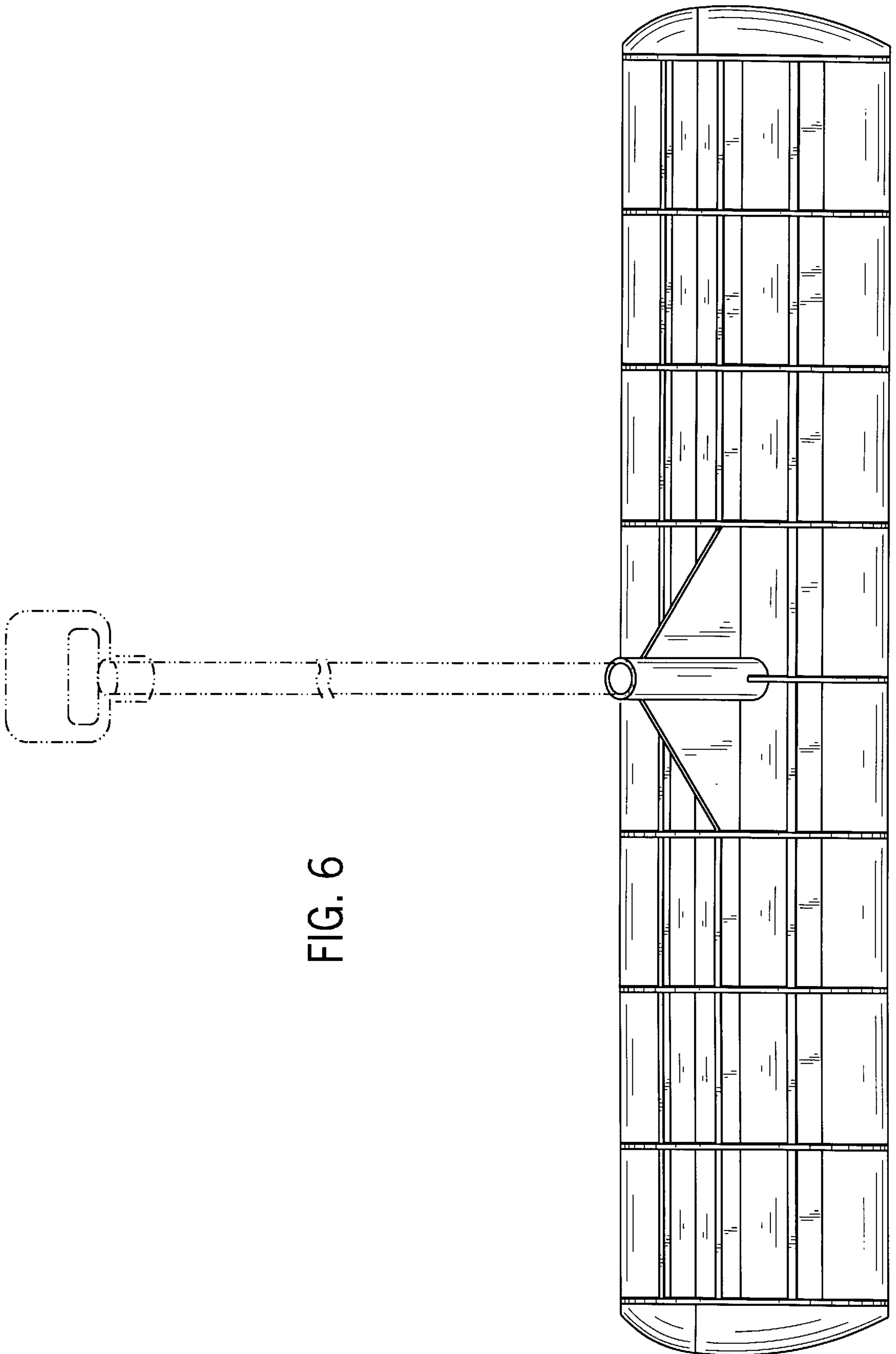


FIG. 6

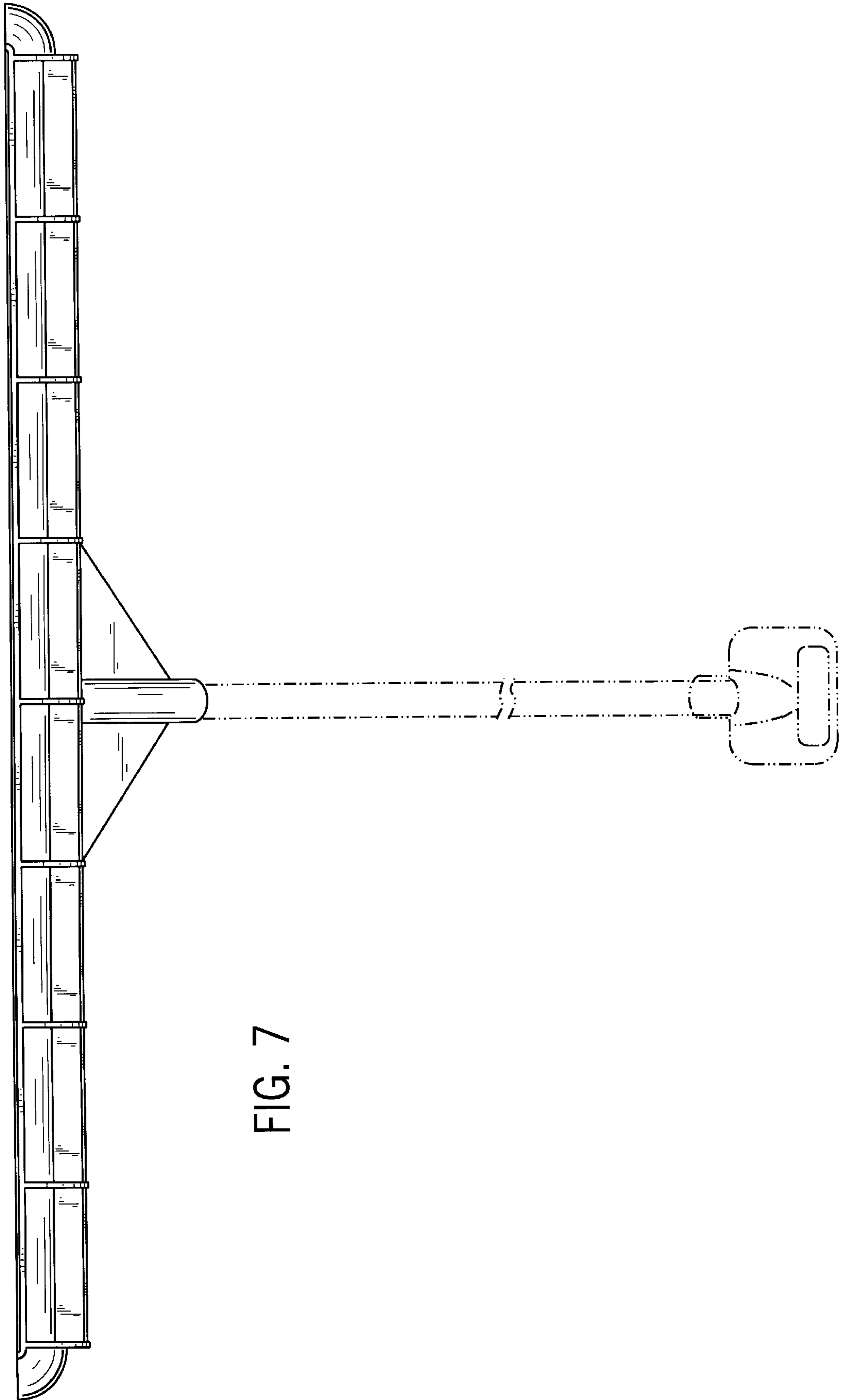


FIG. 7