



US00D409879S

# United States Patent [19] Cornelissen

[11] Patent Number: **Des. 409,879**

[45] Date of Patent: **\*\* May 18, 1999**

[54] **CUP**

[75] Inventor: **Tuur Cornelissen**, Blankerbergen, Belgium

[73] Assignee: **De Ster N.V.**, Hoogstraten, Belgium

[\*\*] Term: **14 Years**

[21] Appl. No.: **29/080,797**

[22] Filed: **Oct. 14, 1997**

### [30] Foreign Application Priority Data

Apr. 11, 1997 [DE] Germany ..... M 97 03 728

[51] **LOC (6) Cl.** ..... **07-01**

[52] **U.S. Cl.** ..... **D7/536; D7/533**

[58] **Field of Search** ..... D7/536, 533, 510, D7/511, 523, 509, 513, 512, 532, 619, 622, 534, 535; 220/755, 671, 669, 771, 662, 676, 675, 705, 708, 709, 553, 555

### [56] References Cited

#### U.S. PATENT DOCUMENTS

- D. 103,168 2/1937 Swainson .
- D. 166,014 2/1952 Wright .
- D. 167,917 10/1952 Wagner .
- D. 177,433 4/1956 Schreckengost .
- D. 184,518 3/1959 Folley .
- D. 184,566 3/1959 Holzworth ..... D7/622
- D. 185,971 8/1959 Saffer ..... D7/536
- D. 186,037 9/1959 Allison ..... D7/536
- D. 195,309 5/1963 Mount et al. .... D7/622

- D. 203,615 2/1966 Metzler et al. .... D7/622
- D. 203,942 3/1966 Trombley ..... D7/622
- D. 219,048 10/1970 Gulotta .
- D. 223,503 4/1972 Simmons ..... D7/536
- D. 286,723 11/1986 Everhan ..... D7/536
- D. 288,270 2/1987 Winterling .
- D. 289,485 4/1987 Unger .
- D. 386,046 11/1997 Brückner .
- 2,770,956 9/1956 Achtziger .
- 2,876,634 3/1959 Zimmermann et al. .
- 3,207,461 9/1965 Holzwarth et al. .... D7/622
- 5,586,682 12/1996 Yeh ..... 220/755

### OTHER PUBLICATIONS

Cup #156, Jackson Vitrified China Co., China and Ceramics May 1948.

*Primary Examiner*—M. N. Pandozzi  
*Attorney, Agent, or Firm*—Shlesinger, Arkwright & Garvey LLP

### [57] CLAIM

The ornamental design for the cup, as shown and described.

### DESCRIPTION

FIG. 1 is a top perspective view of a cup showing my design; FIG. 2 is a top plan view of the cup of FIG. 1; FIG. 3 is a front view of the cup of FIG. 1, the rear view being a mirror image thereof; FIG. 4 is a bottom plan view of the cup of FIG. 1; FIG. 5 is a right side view of the cup of FIG. 3; and, FIG. 6 is a left side view of the cup of FIG. 3.

**1 Claim, 2 Drawing Sheets**

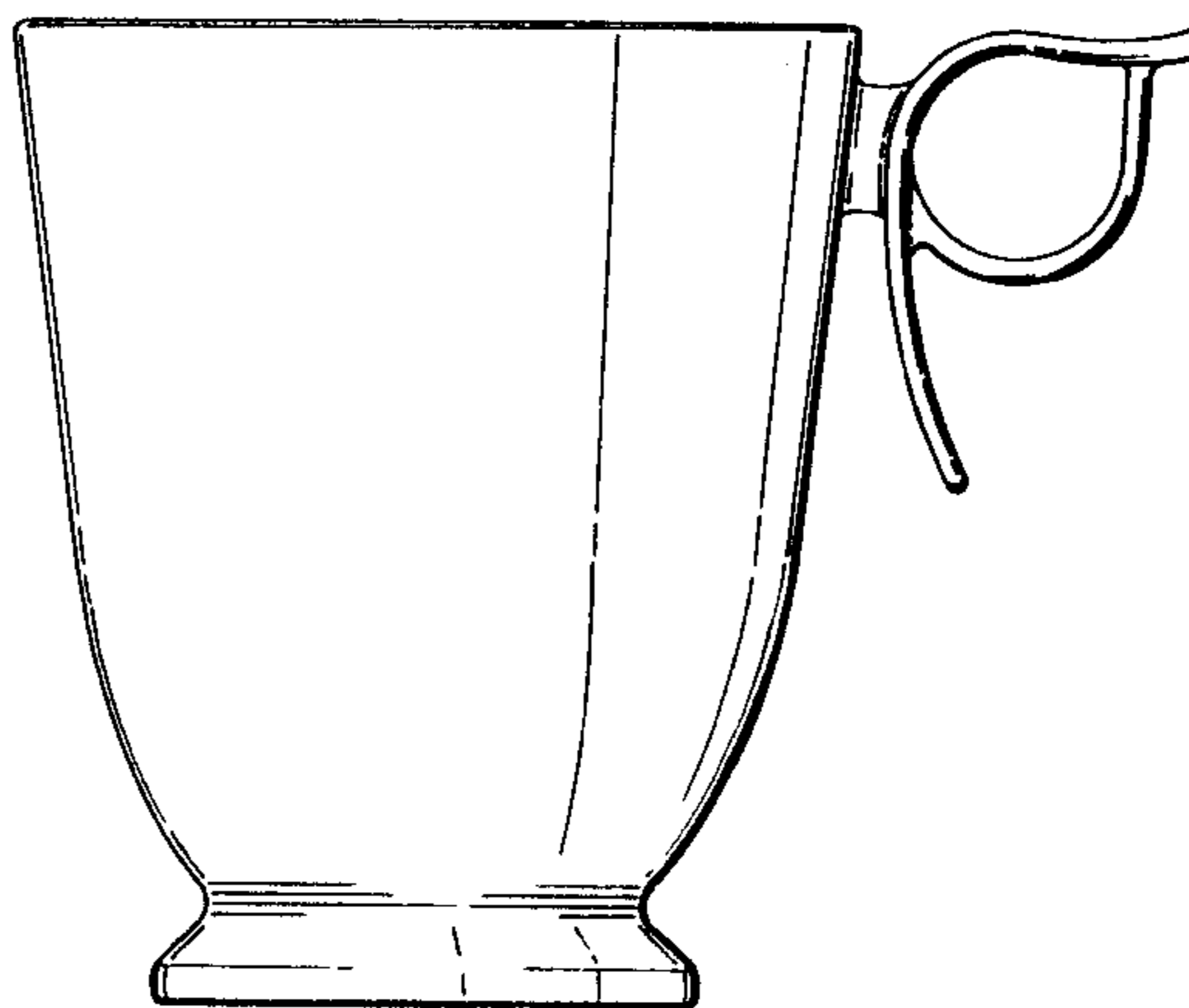
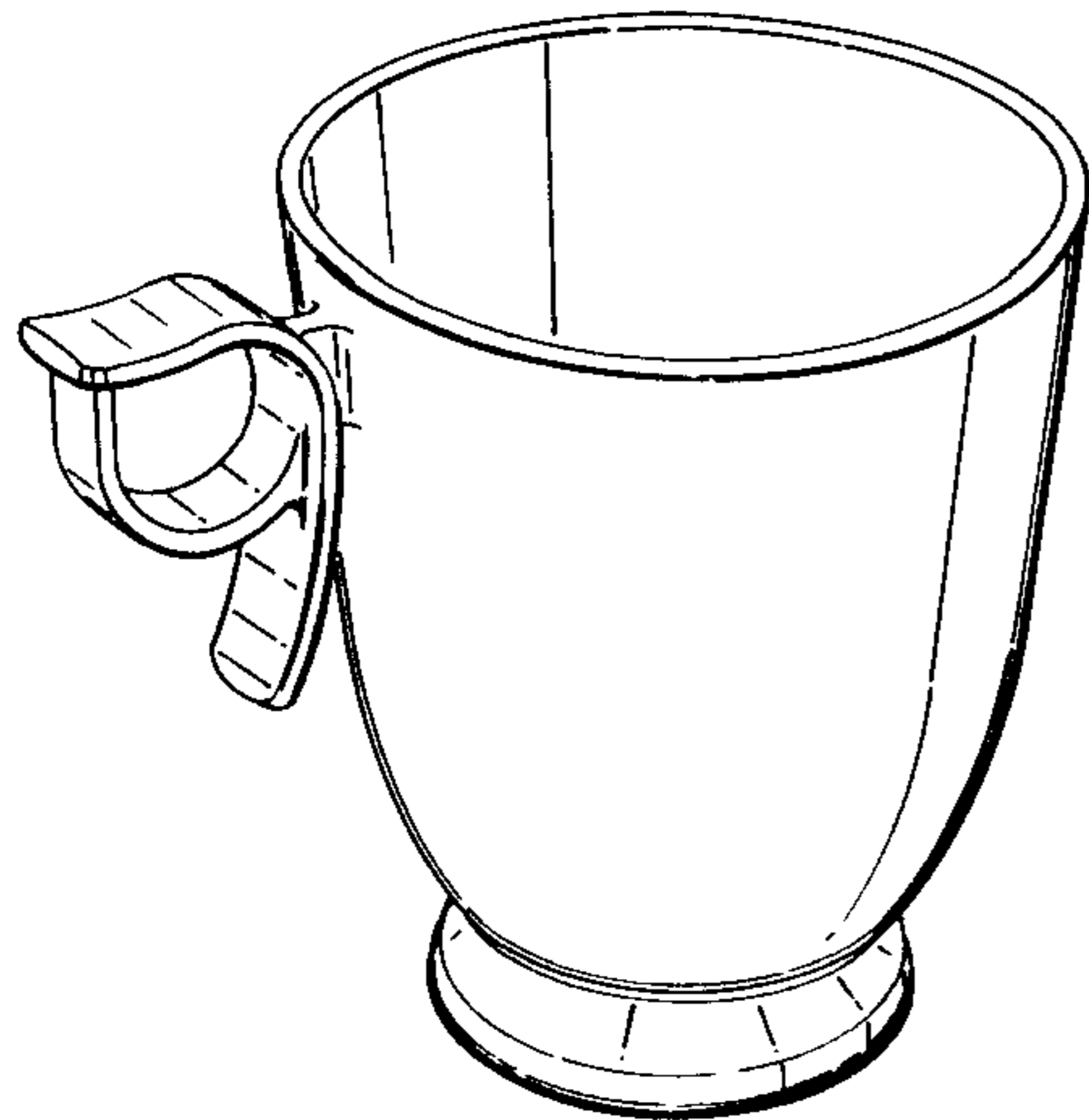


FIG. 1.

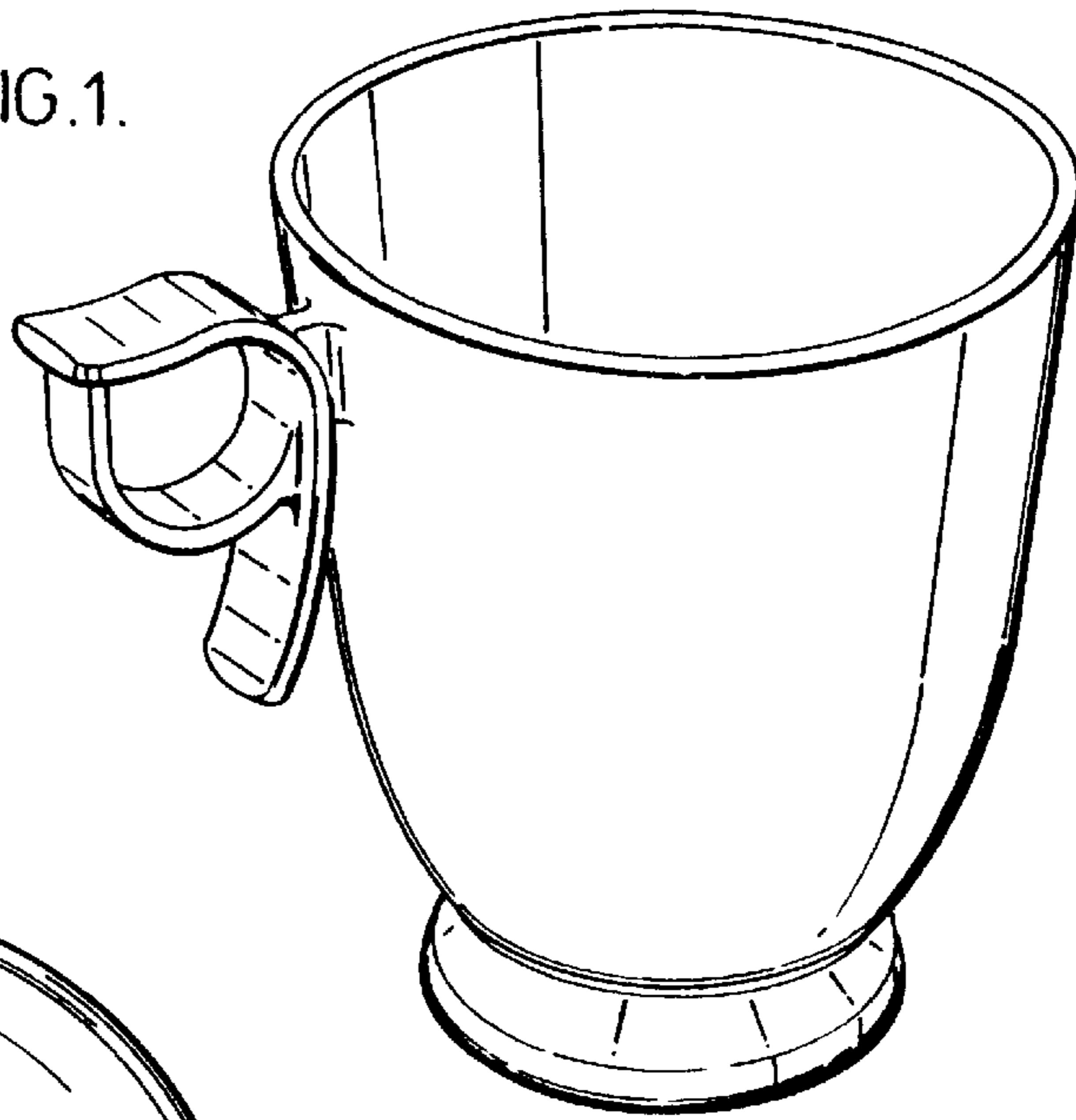


FIG. 2.

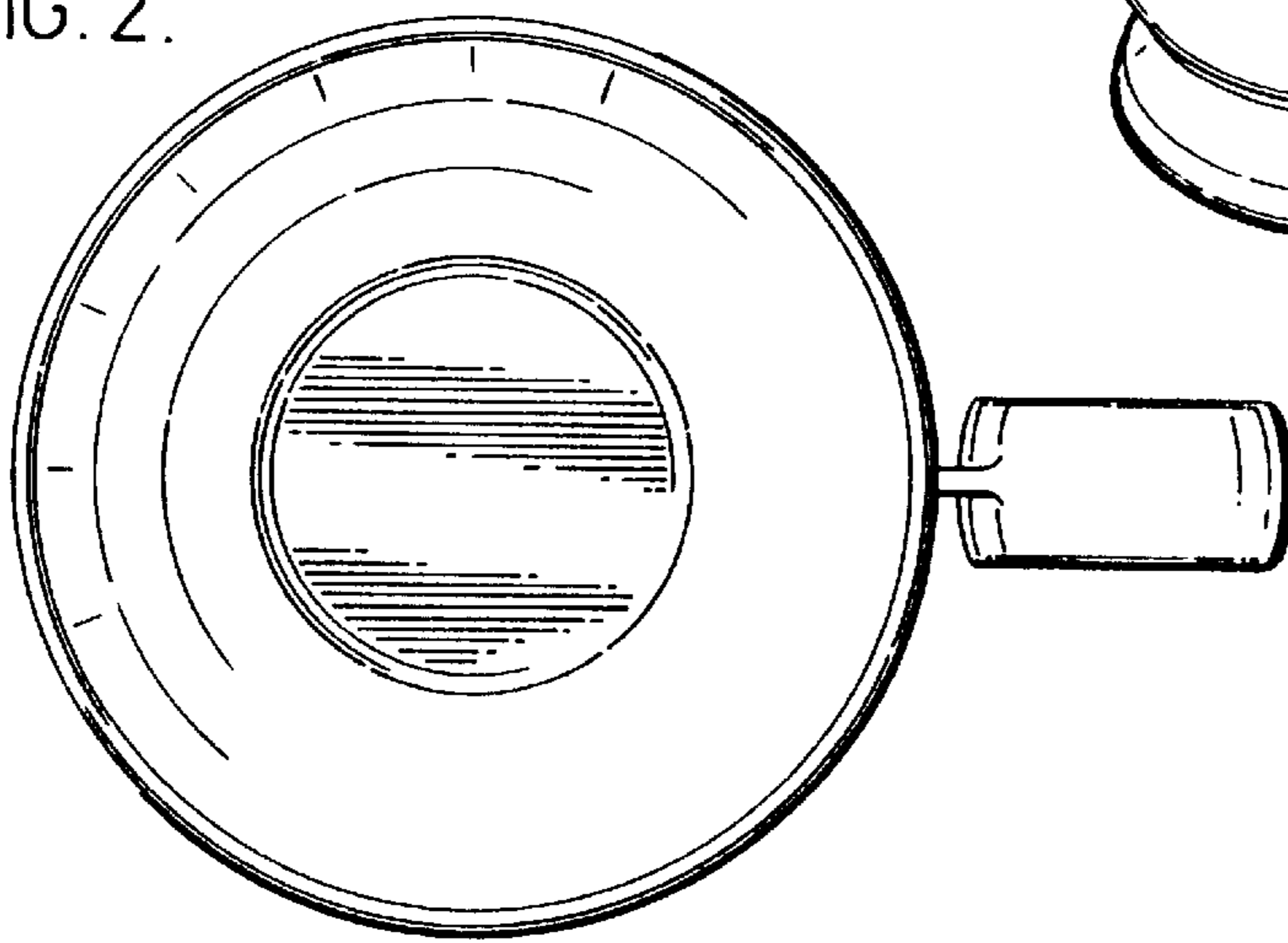
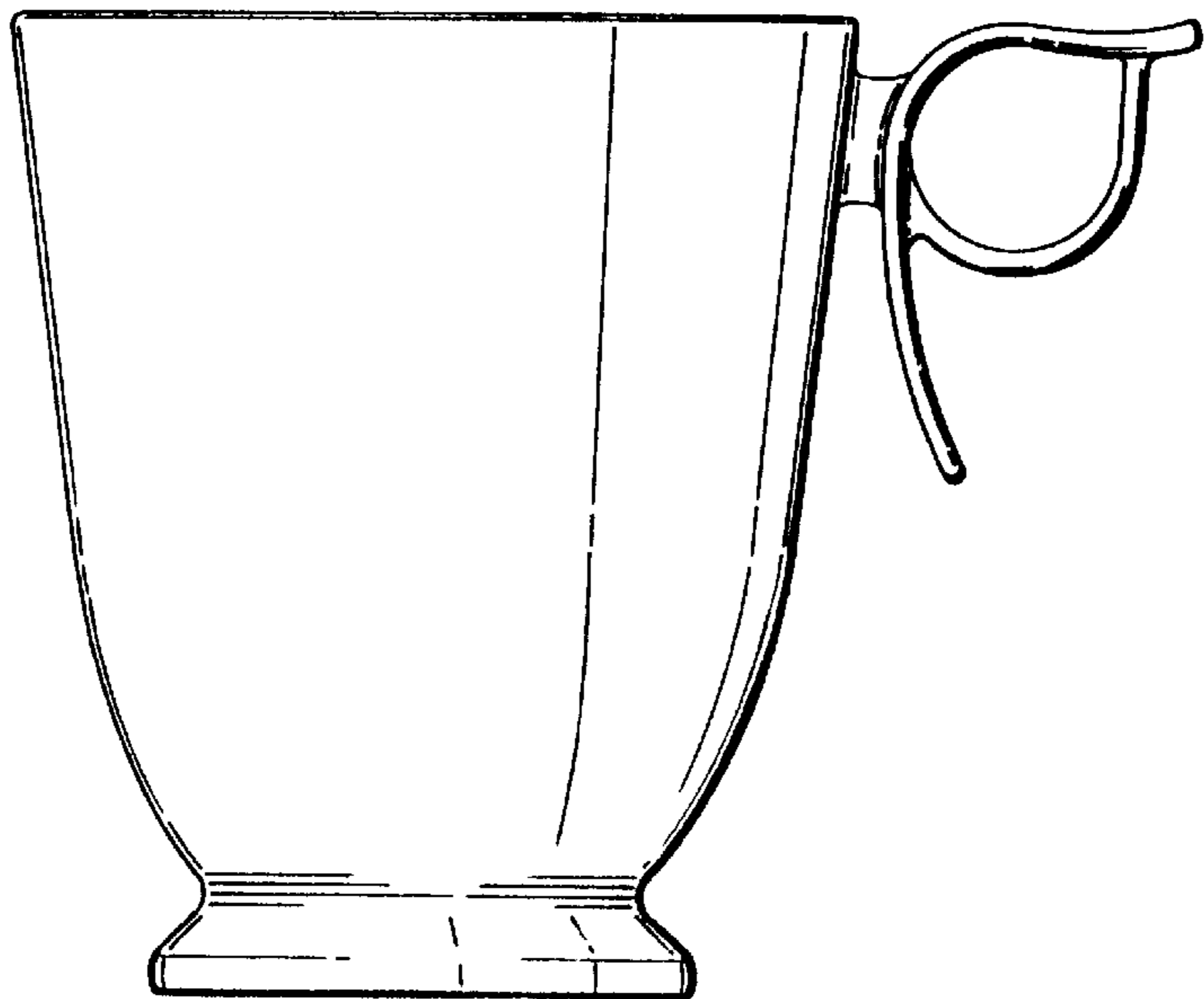


FIG. 3.



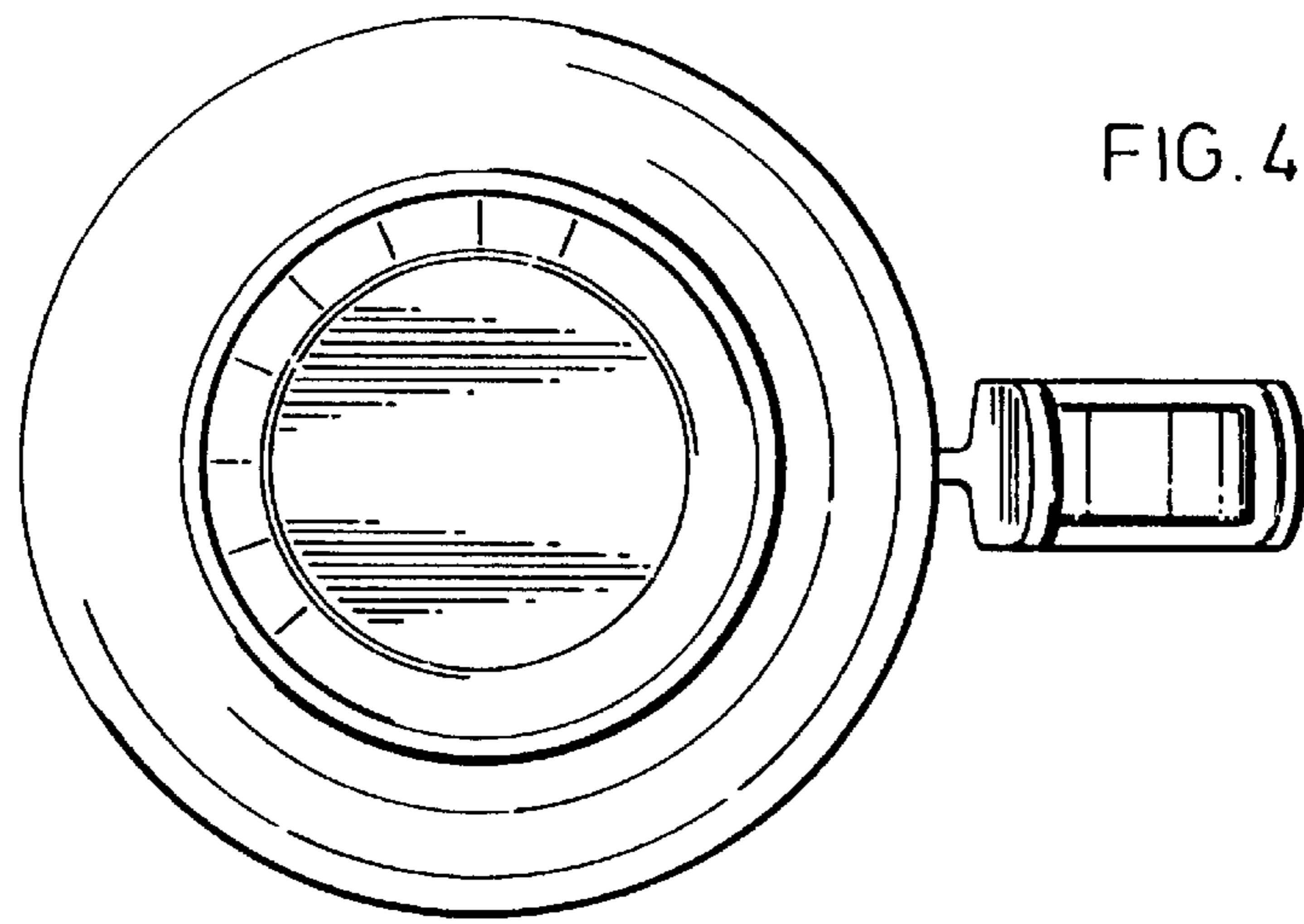


FIG. 4.

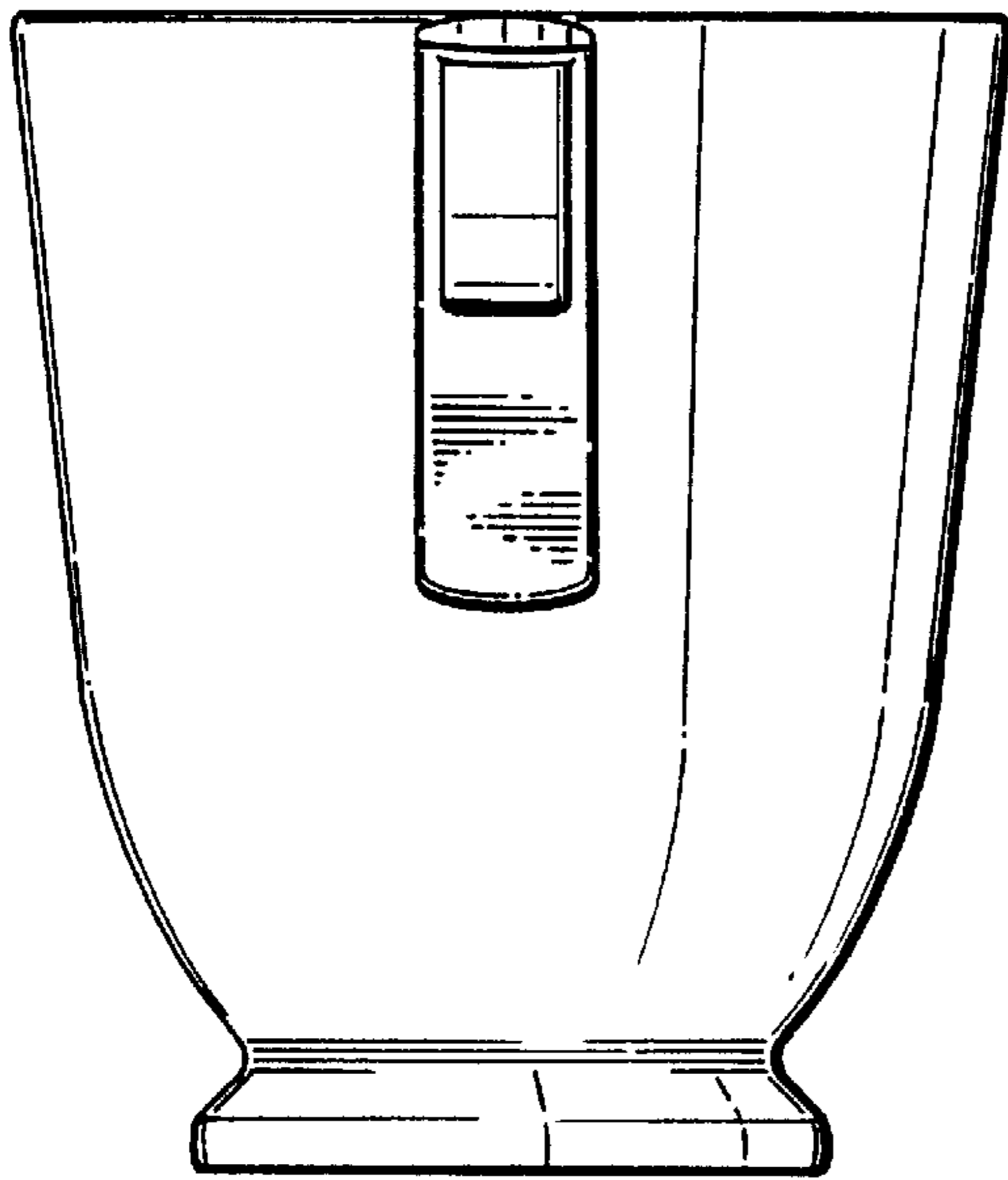


FIG. 5.

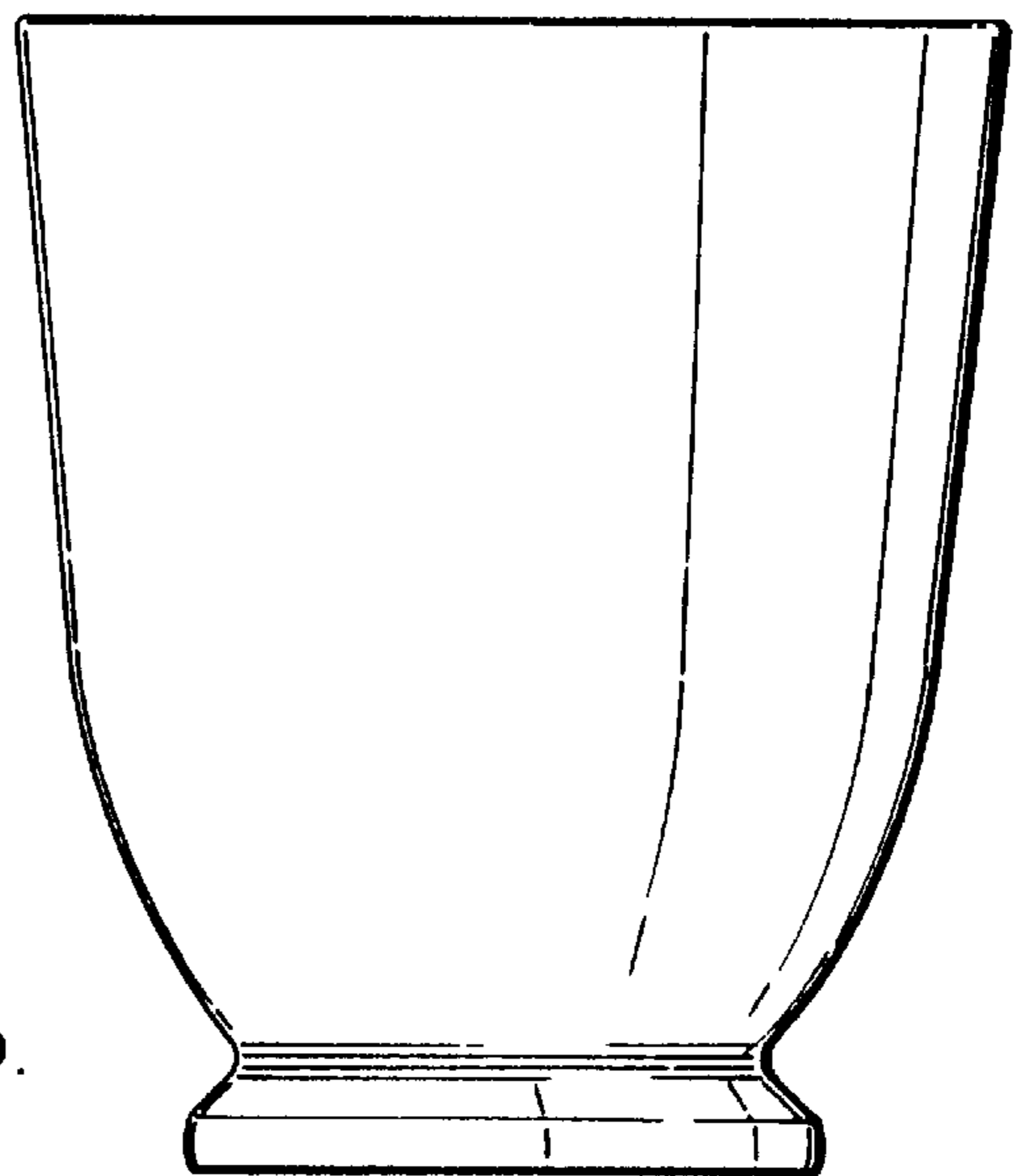


FIG. 6.

UNITED STATES PATENT AND TRADEMARK OFFICE  
**CERTIFICATE OF CORRECTION**

PATENT NO. : D409,879  
DATED : May 18, 1999  
INVENTOR(S) : Cornelissen

It is certified that error appears in the above-identified patent and that said Letters Patent is hereby corrected as shown below:

On the title page, item [75] change the city from "Blankerbergen" to  
-- Blankenberge --

Signed and Sealed this  
Thirteenth Day of June, 2000

*Attest:*



Q. TODD DICKINSON

*Attesting Officer*

*Director of Patents and Trademarks*