



US00D409875S

United States Patent [19]

Alonge et al.

[11] Patent Number: **Des. 409,875**

[45] Date of Patent: **** May 18, 1999**

[54] **COFFEE MAKER**

[75] Inventors: **Barbara Alonge**, North Merrick, N.Y.;
David Sabin, Lake Forest, Ill.

[73] Assignee: **Salton/Maxim Housewares, Inc.**, Mt.
Prospect, Ill.

[**] Term: **14 Years**

[21] Appl. No.: **29/093,346**

[22] Filed: **Sep. 9, 1998**

[51] **LOC (6) Cl.** **07-01**

[52] **U.S. Cl.** **D7/309; D7/310; D7/311**

[58] **Field of Search** **D7/307, 310, 311,**
D7/305; 99/295, 285, 284

[56] **References Cited**

U.S. PATENT DOCUMENTS

- D. 248,721 8/1978 Sato et al. D7/311 X
- D. 300,596 4/1989 Eugster D7/309

- D. 327,601 7/1992 Beeren et al. D7/309
- D. 356,712 3/1995 Brady D7/309
- D. 358,739 5/1995 Kahicke D7/309
- D. 379,049 5/1997 Amiel D7/305
- D. 381,237 7/1997 De Longhi D7/309

Primary Examiner—M. N. Pandozzi
Attorney, Agent, or Firm—Jerry A. Schulman

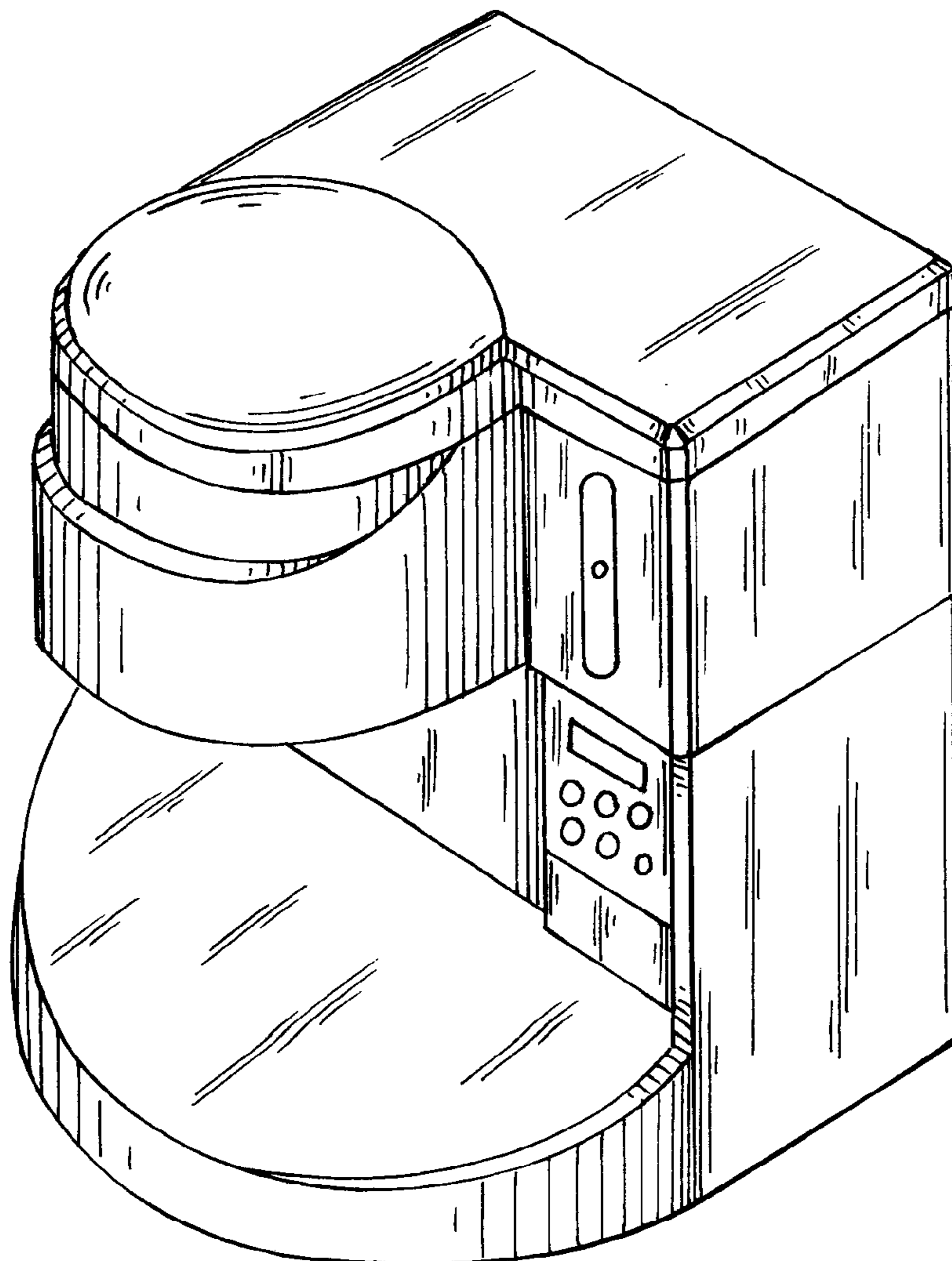
[57] **CLAIM**

The ornamental design for a coffee maker, as shown and described.

DESCRIPTION

FIG. 1 is a front elevational view of the present invention; FIG. 2 is a right lateral elevational view thereof; FIG. 3 is a left lateral elevational view thereof; FIG. 4 is a top plan view thereof; FIG. 5 is a bottom plan view thereof; FIG. 6 is a rear elevational view thereof; and, FIG. 7 is a perspective view thereof.

1 Claim, 3 Drawing Sheets



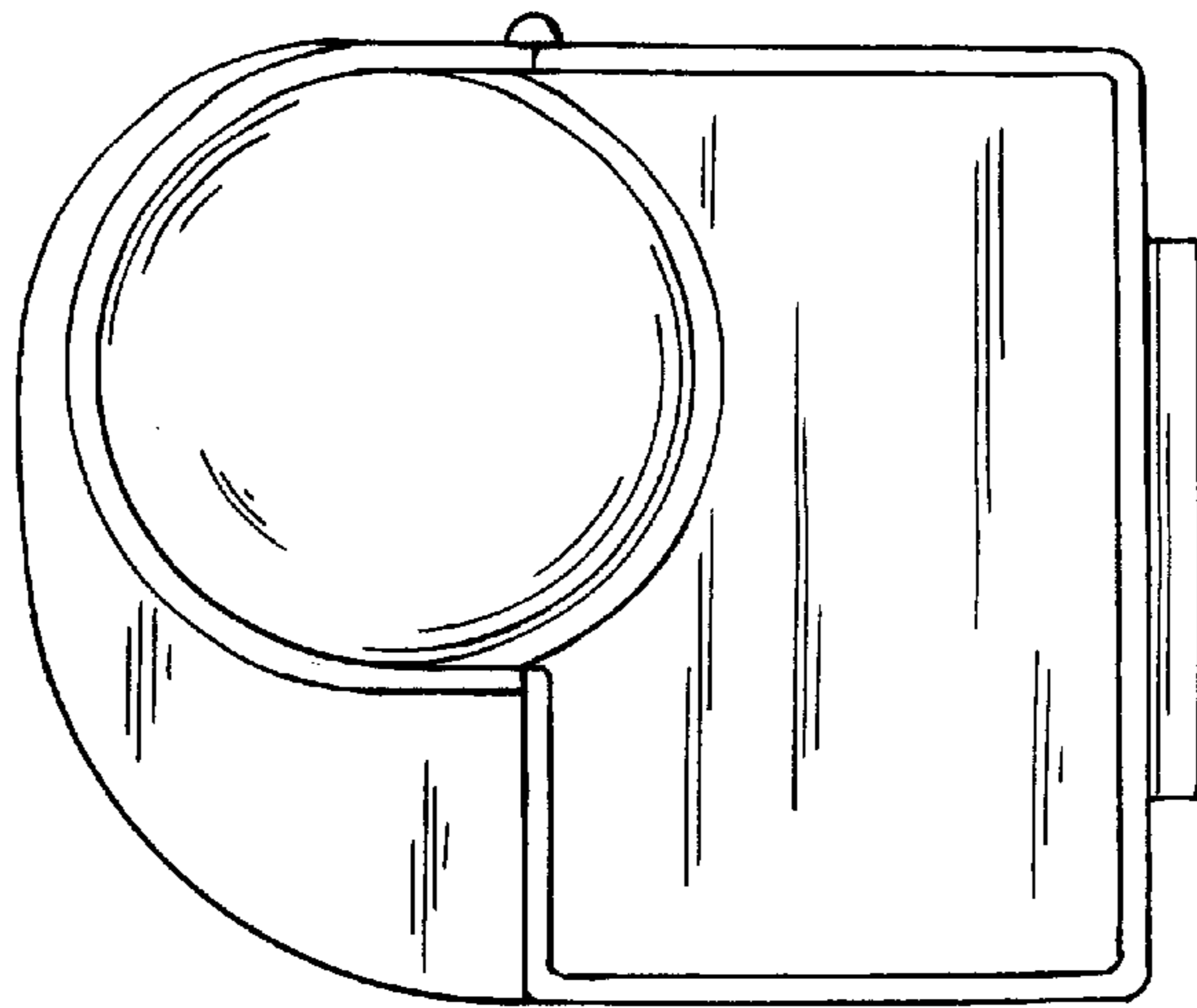


FIG. 4

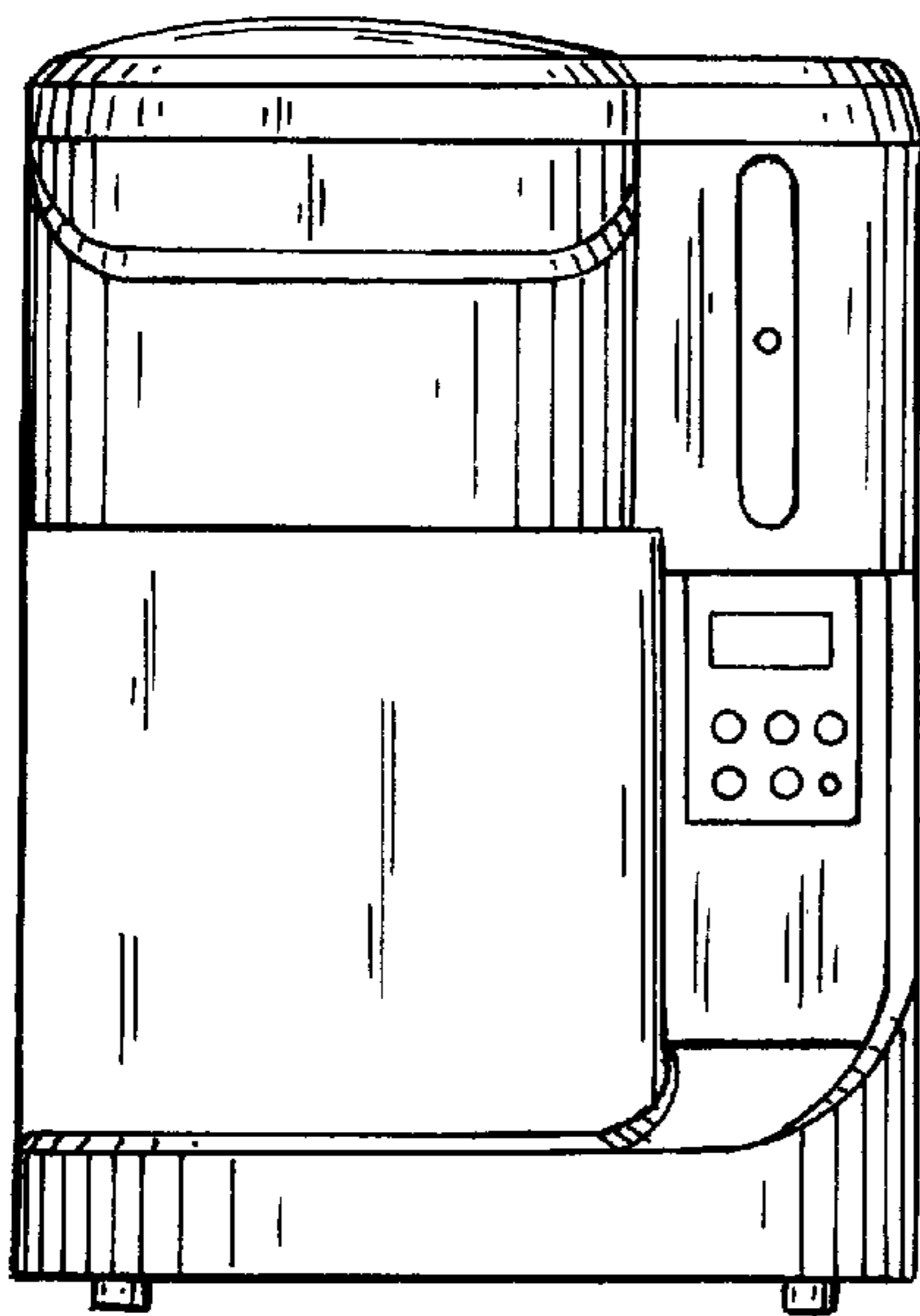


FIG. 1

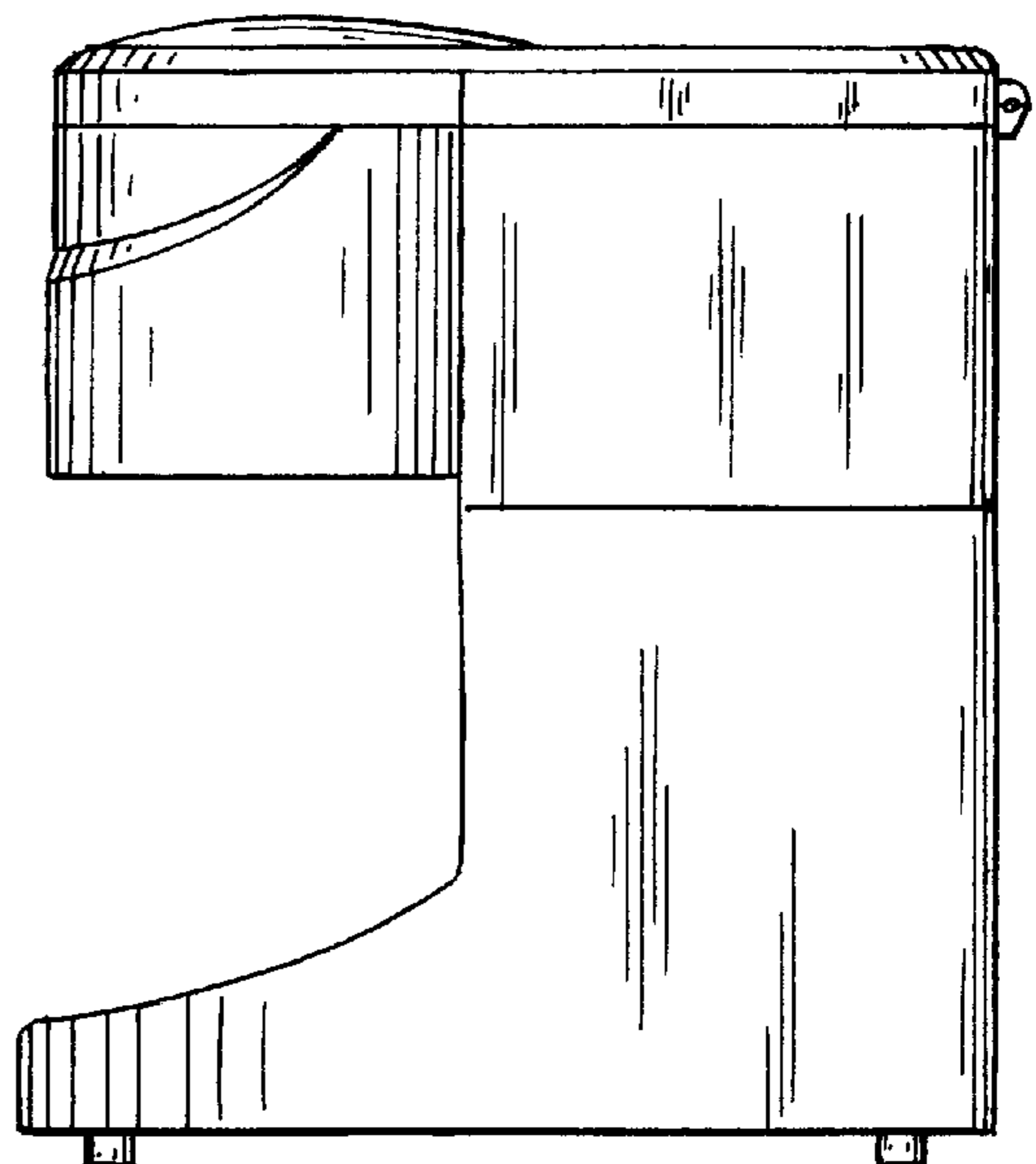


FIG. 2

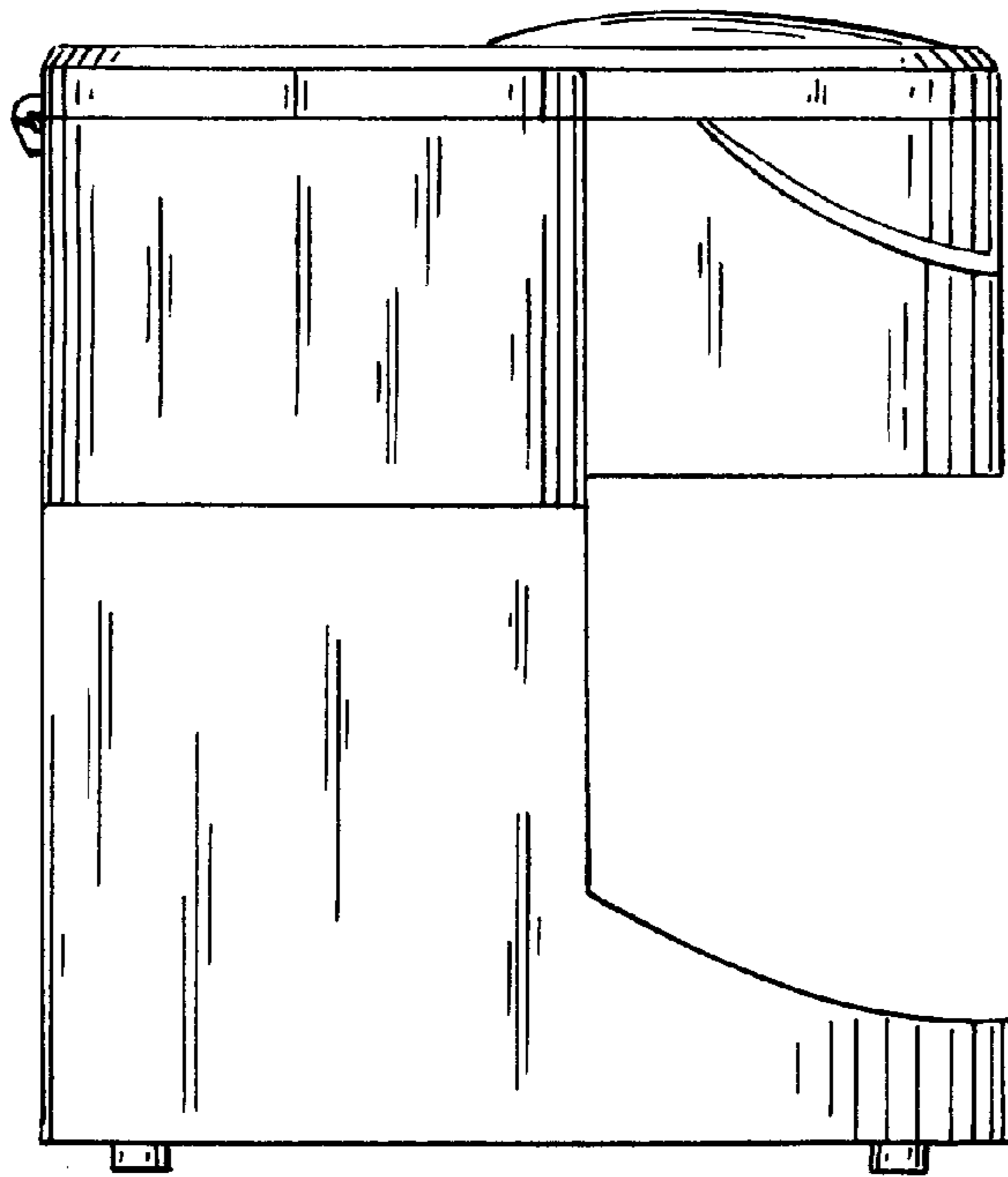


FIG. 3

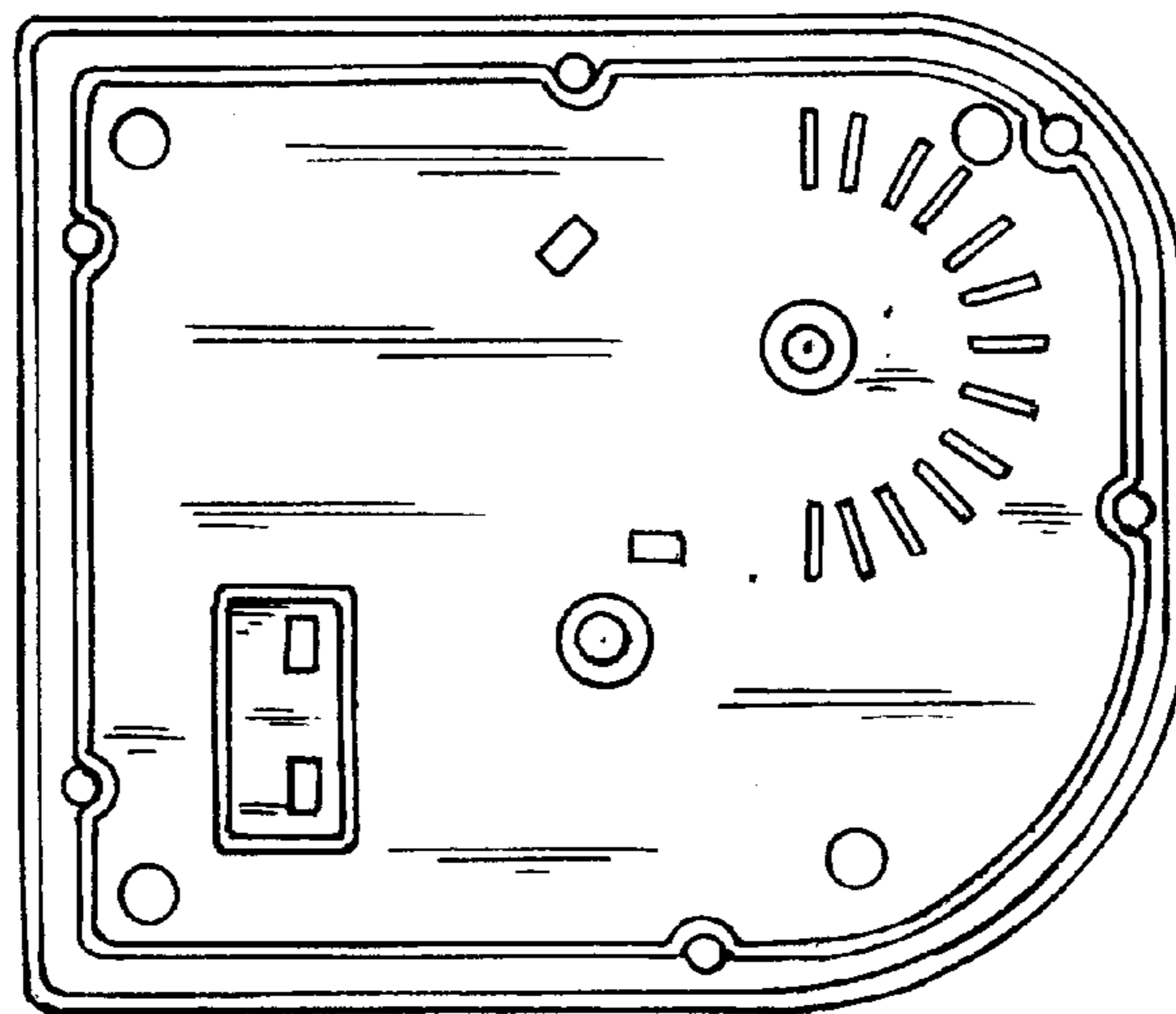


FIG. 5

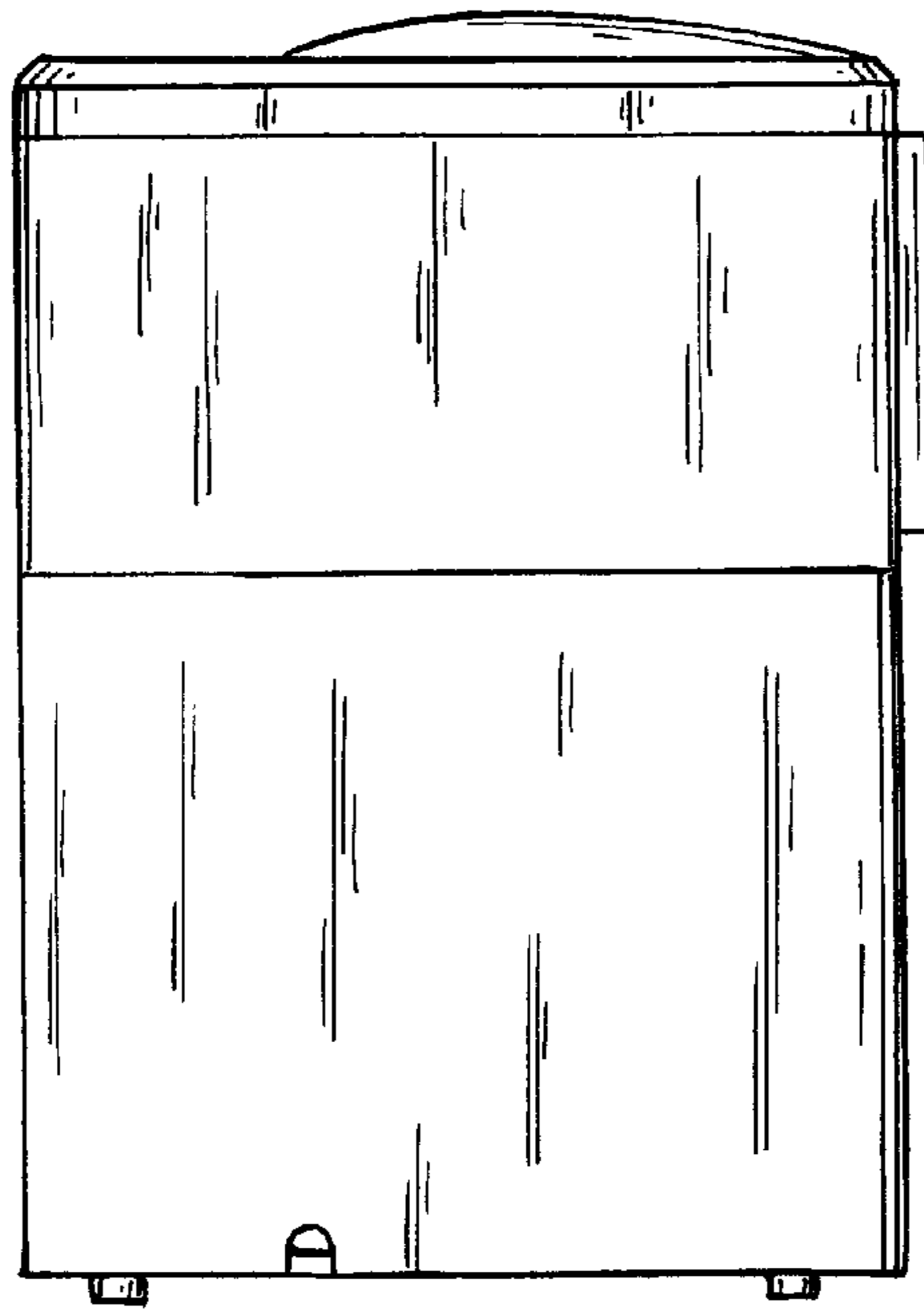


FIG. 6

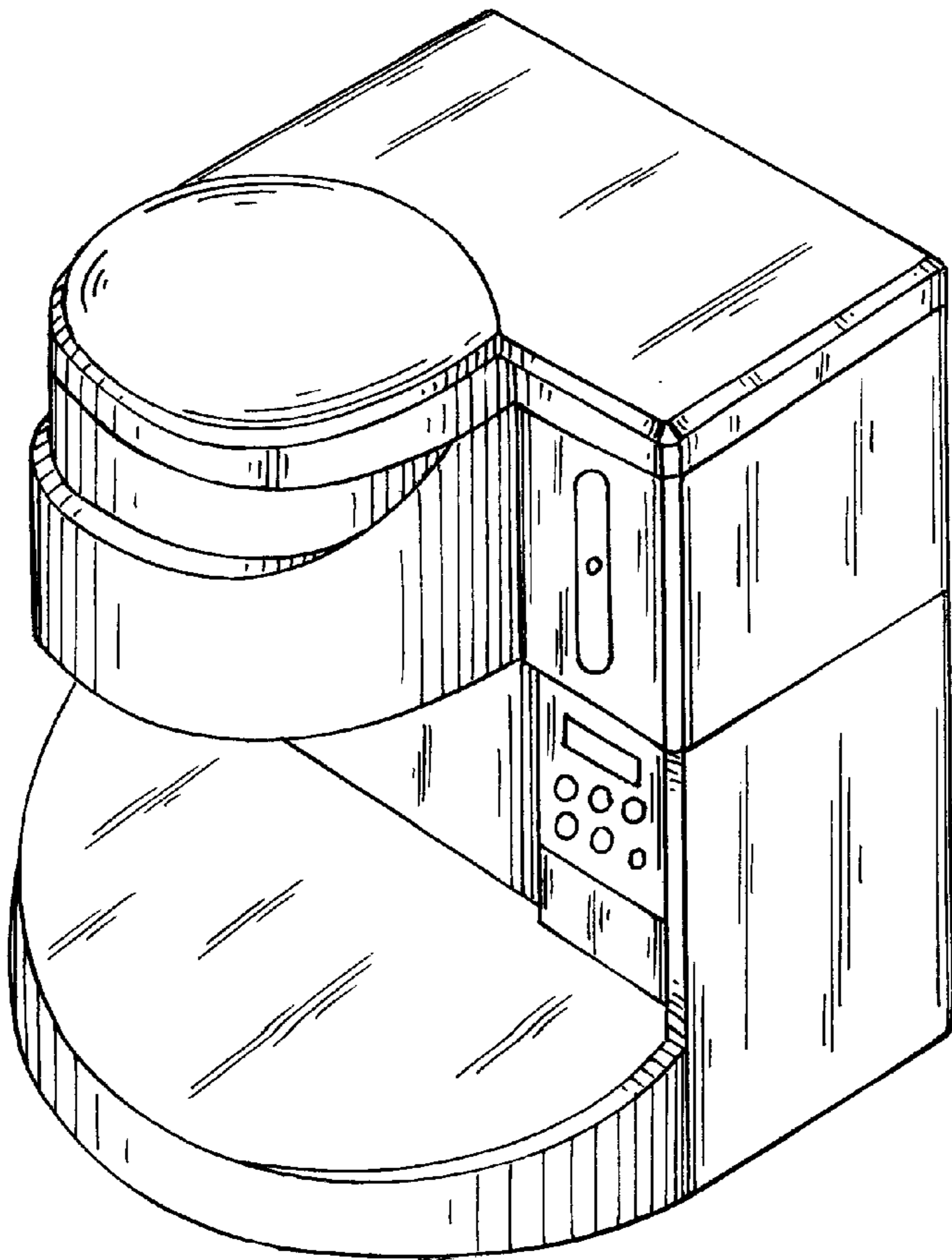


FIG. 7