



US00D409867S

United States Patent [19] Sweetman

[11] **Patent Number: Des. 409,867**

[45] **Date of Patent: ** *May 18, 1999**

[54] **TISSUE PAPER HOLDER**

[75] Inventor: **Charles H. Sweetman**, Northridge, Calif.

[73] Assignee: **Creative Specialties, Inc.**, Sylmar, Calif.

[*] Notice: This patent is subject to a terminal disclaimer.

[**] Term: **14 Years**

[21] Appl. No.: **29/082,276**

[22] Filed: **Jan. 20, 1998**

[51] **LOC (6) Cl.** **07-07**

[52] **U.S. Cl.** **D6/523; D6/549**

[58] **Field of Search** D6/518, 522, 523, D6/546-550; 242/520, 600, 598; 312/34.8; 206/389; 211/13, 16, 86-88, 105.1, 105.2

[56] **References Cited**

U.S. PATENT DOCUMENTS

D. 318,590 7/1991 McKeone D6/524

D. 337,230	7/1993	Wang	D6/550
D. 357,379	4/1995	Lehn et al.	D6/549
D. 361,006	8/1995	Sharpe	D6/524
D. 362,361	9/1995	Lehn et al.	D6/523
D. 374,361	10/1996	Lehn et al.	D6/523
D. 386,923	12/1997	Moore	D6/523
D. 388,272	12/1997	Moore	D6/549

Primary Examiner—Brian N. Vinson
Attorney, Agent, or Firm—Dorn, McEachran, Jambor & Keating

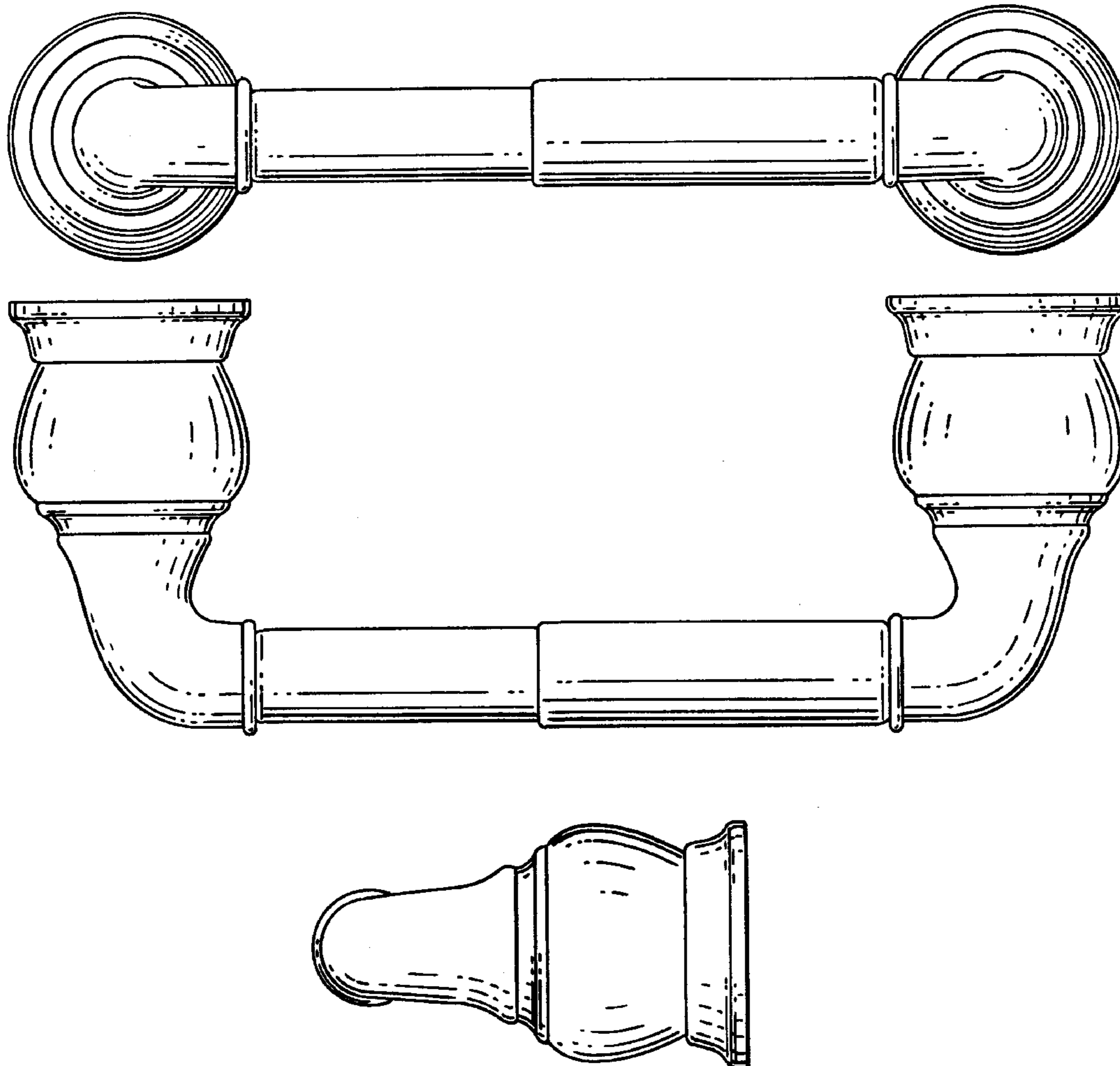
[57] **CLAIM**

The ornamental design for a tissue paper holder, as shown and described.

DESCRIPTION

FIG. 1 is a front view of a tissue paper holder showing my new design;
FIG. 2 is a top view thereof, the bottom being a mirror image of the top; and,
FIG. 3 is a right side view thereof, the left side being a mirror image of the right side.

1 Claim, 1 Drawing Sheet



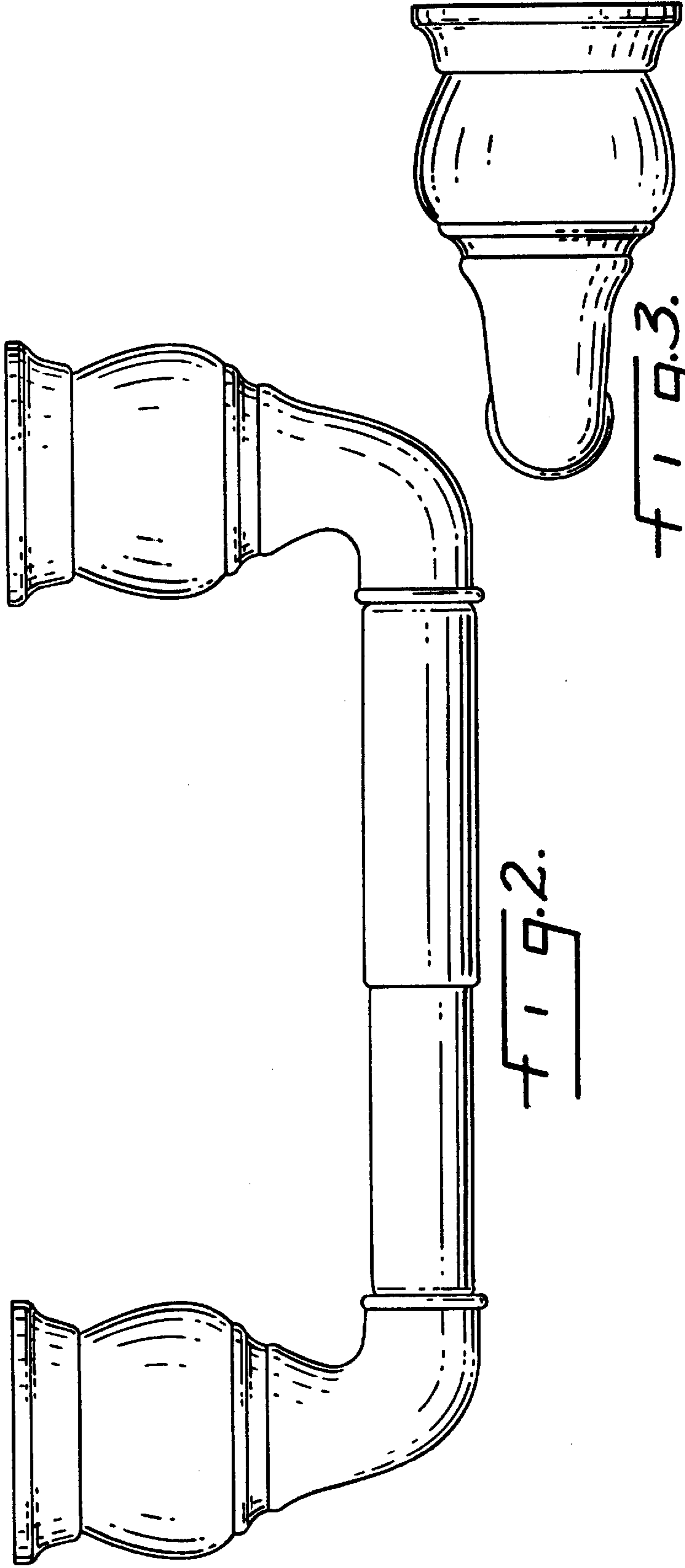
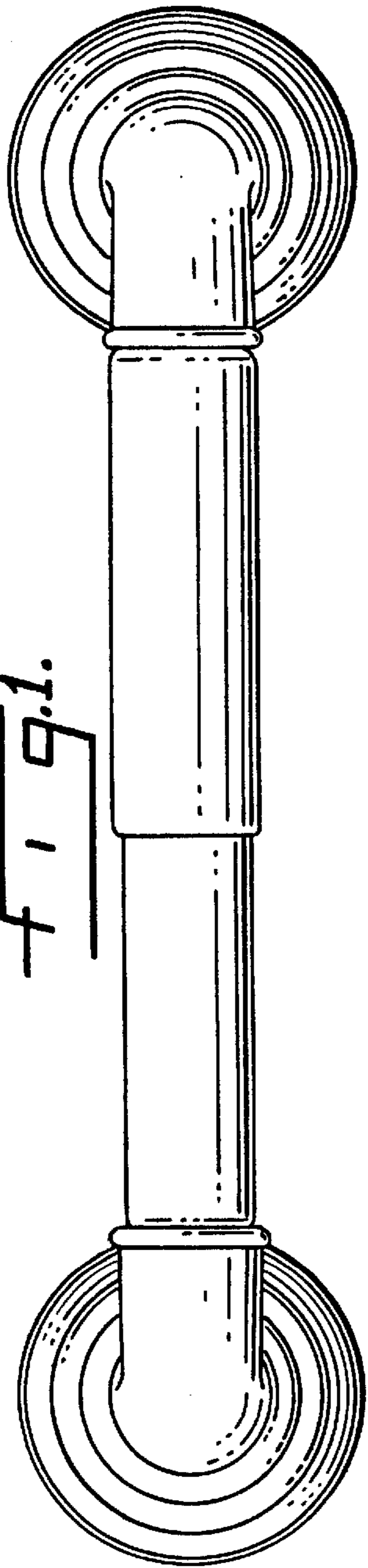


FIG. 1.

FIG. 2.

FIG. 3.