



US00D409866S

United States Patent [19] West

[11] Patent Number: **Des. 409,866**

[45] Date of Patent: **** May 18, 1999**

[54] **DRAWER FOR A SHELVING CONSOLE UNIT**

[75] Inventor: **Robert A. West**, Shorewood, Minn.

[73] Assignee: **Westerlund Products Corporation**, Minneapolis, Minn.

[**] Term: **14 Years**

[21] Appl. No.: **29/082,970**

[22] Filed: **Feb. 2, 1998**

[51] **LOC (6) Cl.** **06-04**

[52] **U.S. Cl.** **D6/510**

[58] **Field of Search** D6/432, 436-439, D6/626-631, 509-511, 477-479, 632, 634, 635; 312/257.1, 204, 330.1, 9.1, 348.1, 348.3, 348.4, 9.9, 9.47, 111, 107, 108, 109; 16/110 R, 110.5, 111 R, 114 R, 121; 108/59, 60; D8/317-320, 300, 303, 307, 313; 211/40, 42, 133.1, 134, 135, 153, 186, 189, 126.15, 126.1; D3/307-312; D19/75, 78, 86, 90, 92; 206/501, 503, 555, 557, 560, 307, 308.1, 309, 509; 220/4.21, 4.22, 4.23, 4.26, 4.27

[56] **References Cited**

U.S. PATENT DOCUMENTS

D. 164,333	8/1951	Schultz	D6/441
D. 328,171	7/1992	Hikawa	D6/441 X
D. 341,042	11/1993	Stephens	D6/439
D. 386,336	11/1997	Douglas	D6/510
D. 391,783	3/1998	Neufeld	D6/437
563,467	7/1896	Farwell	211/153
589,463	9/1897	Case	211/126.1 X
622,666	4/1899	Burwell	211/153
1,946,963	2/1934	Brouillet, Sr.	312/257.1 X
2,905,519	9/1959	O'Neil	312/350
2,988,412	6/1961	Vannice	312/111
3,030,163	4/1962	Gottsegen	206/509 X
3,061,395	10/1962	Marateck et al.	312/350
3,127,021	3/1964	Nolen	211/175
3,325,233	6/1967	Oppenhuizen et al.	312/257.1 X
3,393,951	7/1968	Sulentic	312/283

3,400,829	9/1968	Youngson	211/86
3,465,763	9/1969	Hoffman	134/154
3,606,506	9/1971	Ungaro	312/111
3,624,780	11/1971	Elliot et al.	211/86
3,698,782	10/1972	Onori	312/350
3,891,288	6/1975	Marquette	312/338
4,154,492	5/1979	Dunning, III	211/134 X
4,206,955	6/1980	Cooper	312/107

(List continued on next page.)

OTHER PUBLICATIONS

“Single Closet Drawer Installation Instructions”, *Closet-Maid*, product manual #6245, Clairson International, USA, 4 pgs. (1998).

Primary Examiner—Doris V. Coles

Assistant Examiner—Linda Brooks

Attorney, Agent, or Firm—Schwegman, Lundberg, Woessner & Kluth P.A.

[57] **CLAIM**

The ornamental design for a drawer for a shelving console unit, as shown and described.

DESCRIPTION

FIG. 1 is a right side perspective view of a drawer for a shelving console unit incorporating the new design, the left side perspective view being a mirror image thereof.

FIG. 2 is a front elevation of the drawer for a shelving console unit of FIG. 1 on a reduced scale.

FIG. 3 is a rear elevation of the drawer for a shelving console unit of FIG. 2.

FIG. 4 is a right side elevation of the drawer for a shelving console unit of FIG. 2.

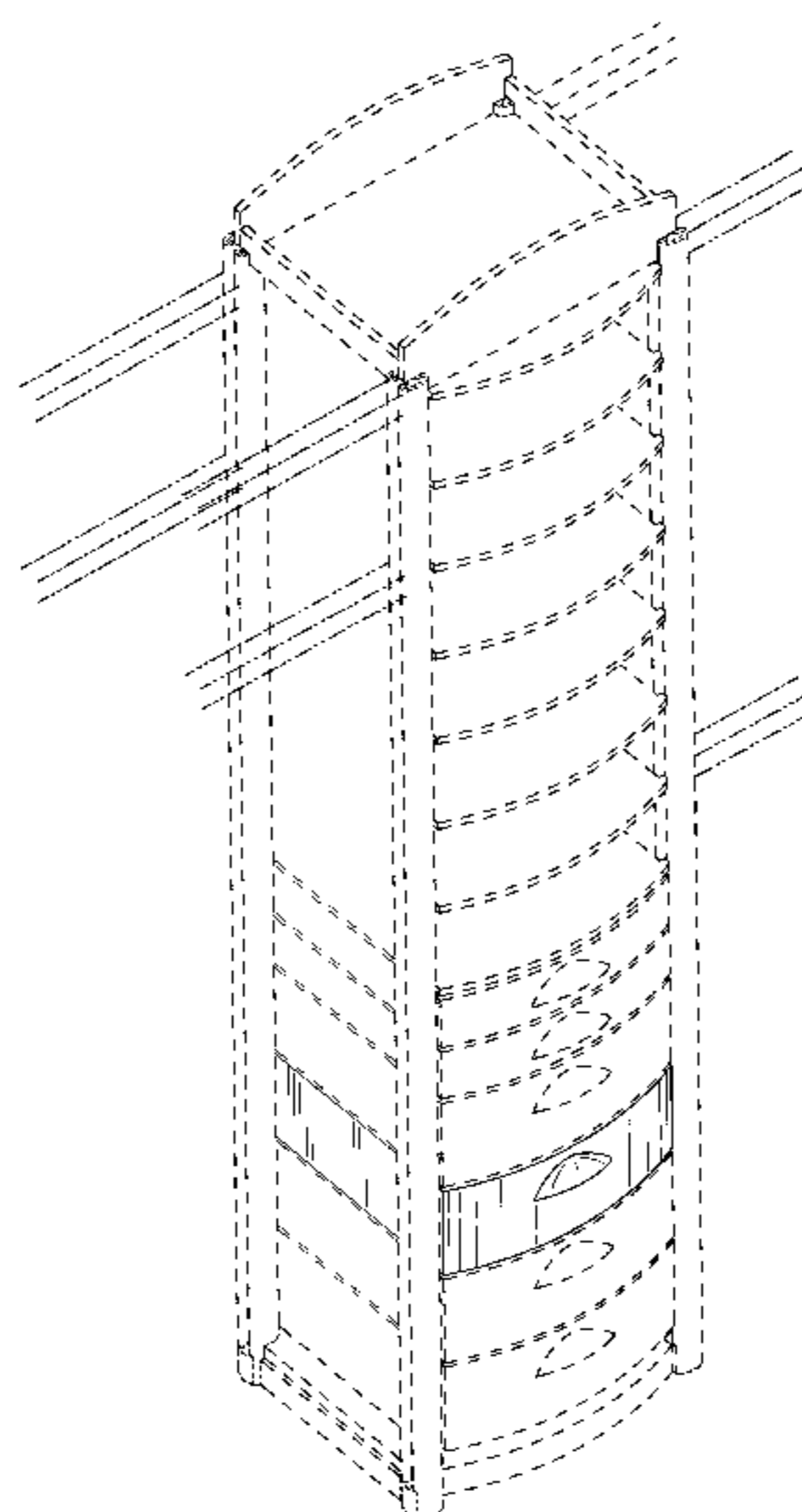
FIG. 5 is a left side elevation of the drawer for a shelving console unit of FIG. 2.

FIG. 6 is a top plan of the drawer for a shelving console unit of FIG. 2; and,

FIG. 7 is a bottom plan of the drawer for a shelving console unit of FIG. 2.

The broken line showing of the console unit in FIGS. 1—7 is for illustrative purposes only and forms no part of the claimed design.

1 Claim, 5 Drawing Sheets



Des. 409,866

Page 2

U.S. PATENT DOCUMENTS			
4,508,231	4/1985	Honickman	211/199
4,696,406	9/1987	Karashima et al.	211/153
4,832,422	5/1989	Fortmann	312/330
4,928,833	5/1990	Huizenga	211/187
5,191,986	3/1993	Huizenga	211/189
5,337,905	8/1994	Gast	211/87
5,441,162	8/1995	Niblock	211/153
5,466,058	11/1995	Chan	312/111
5,582,306	12/1996	Balter et al.	211/187

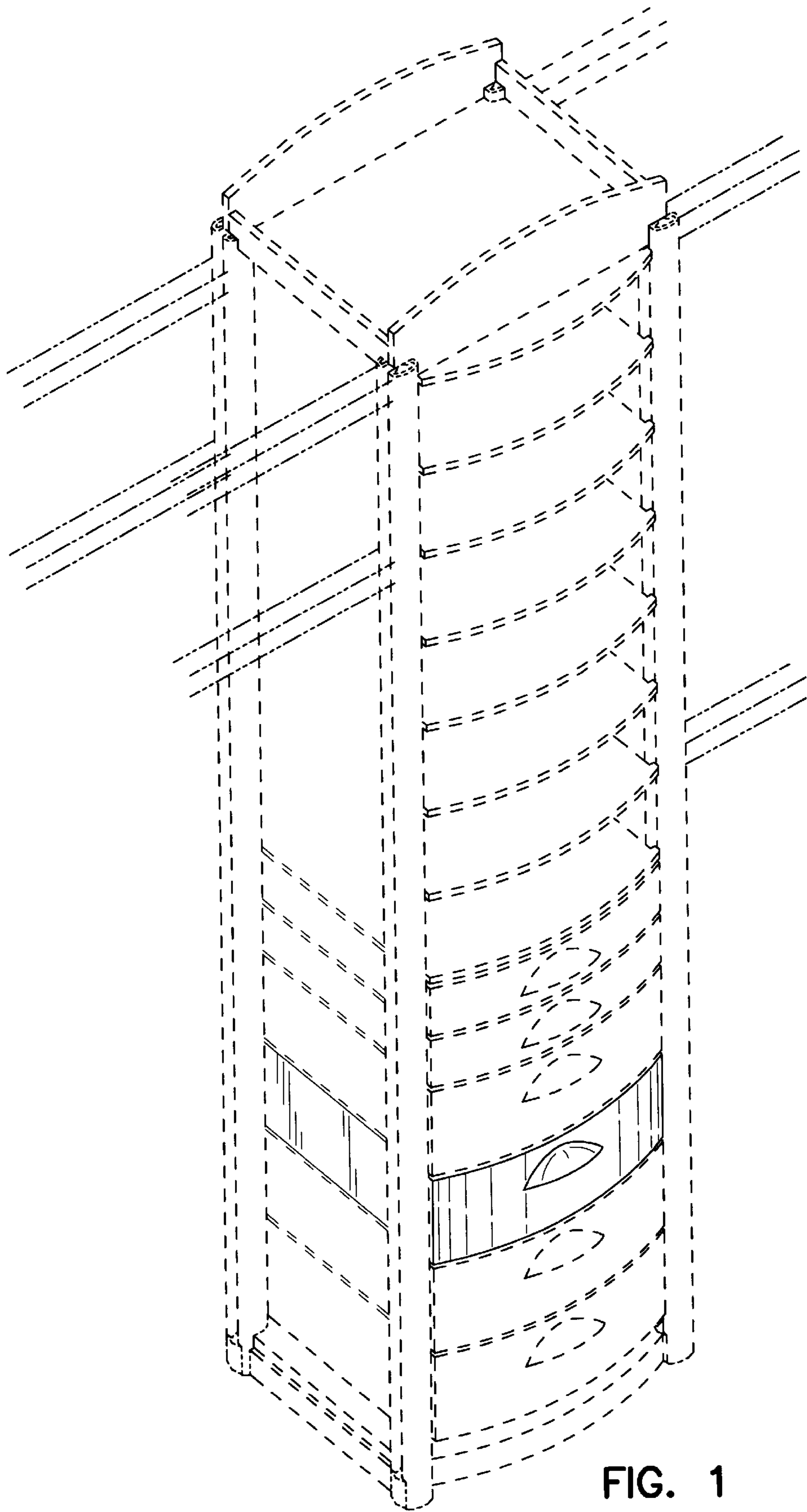


FIG. 1

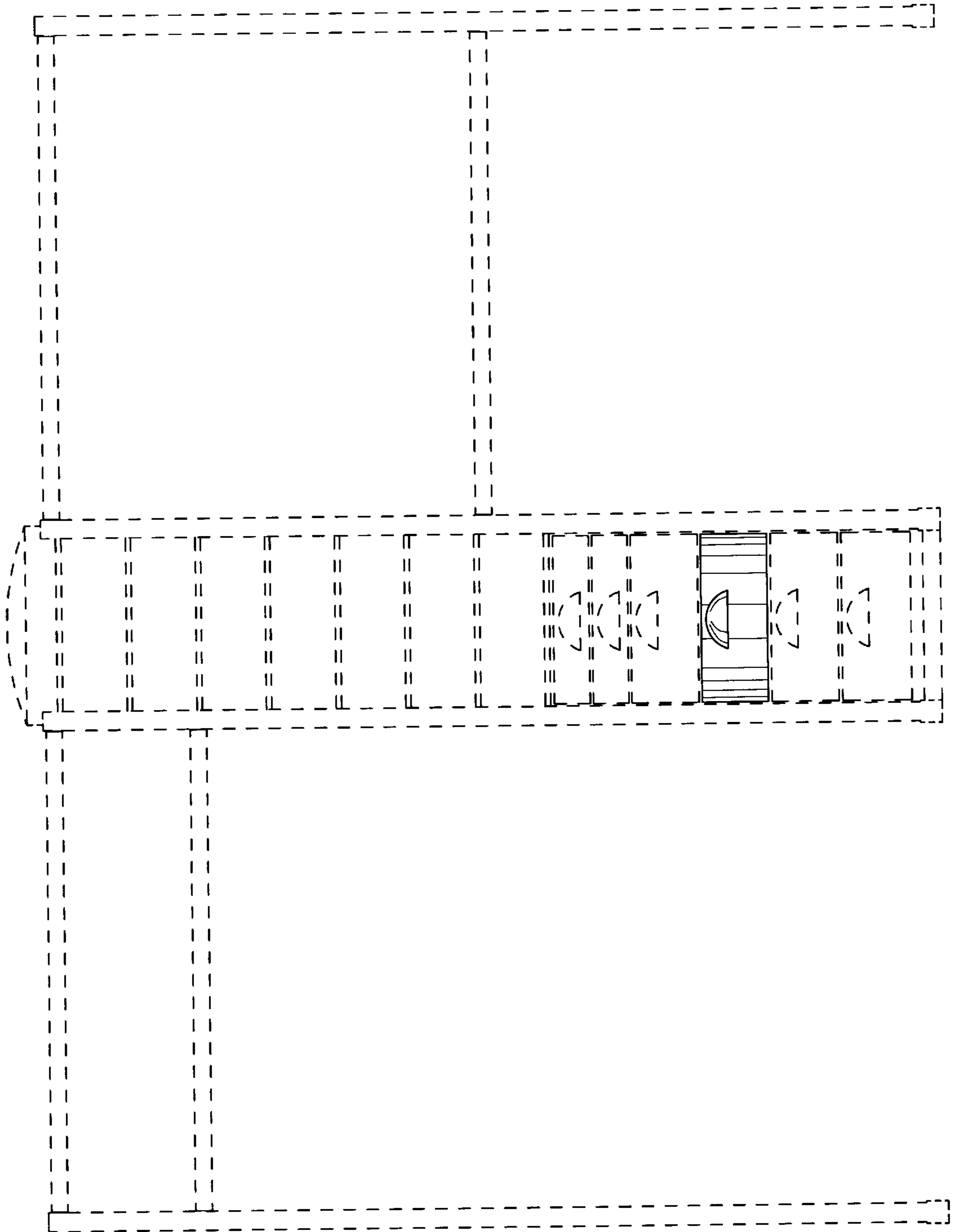


FIG. 2

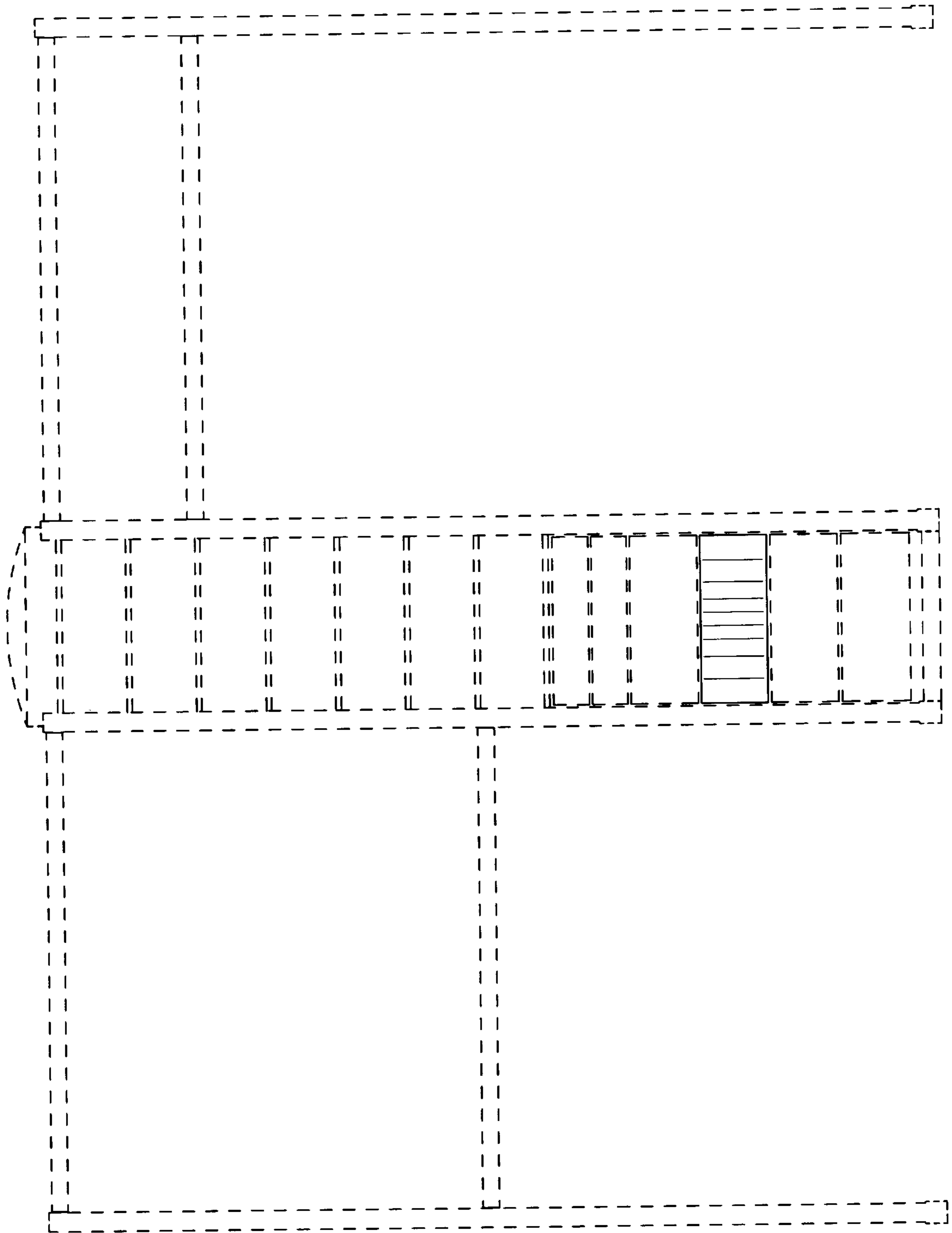


FIG. 3

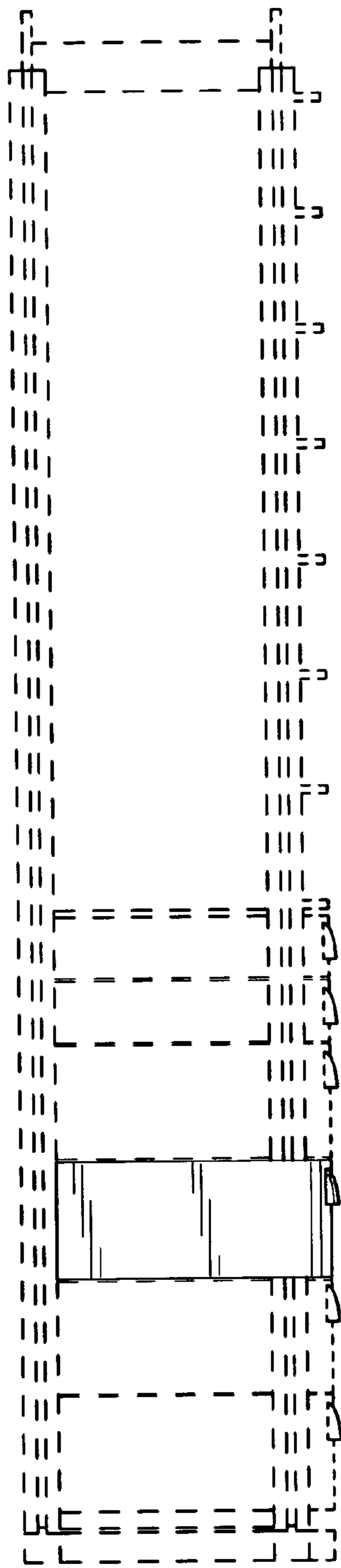


FIG. 4

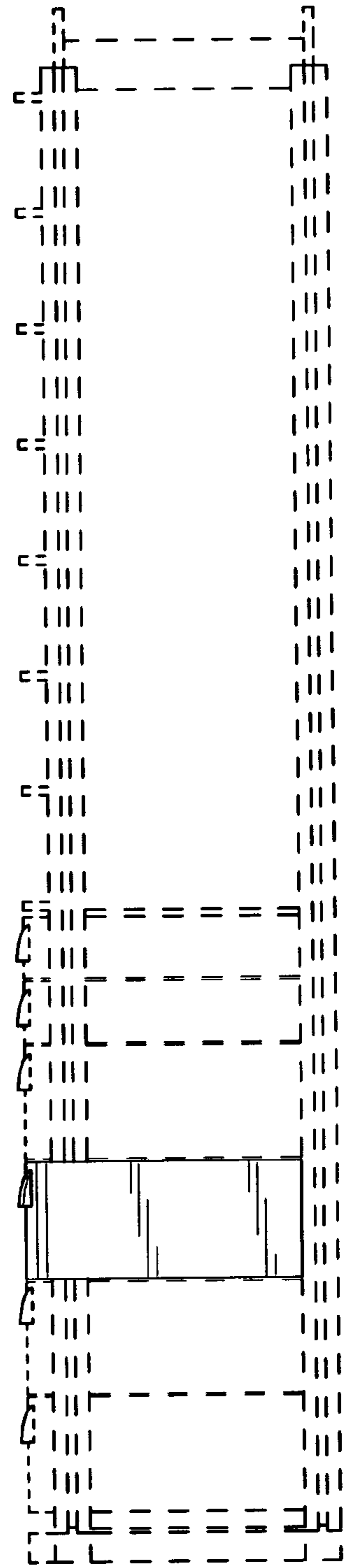


FIG. 5

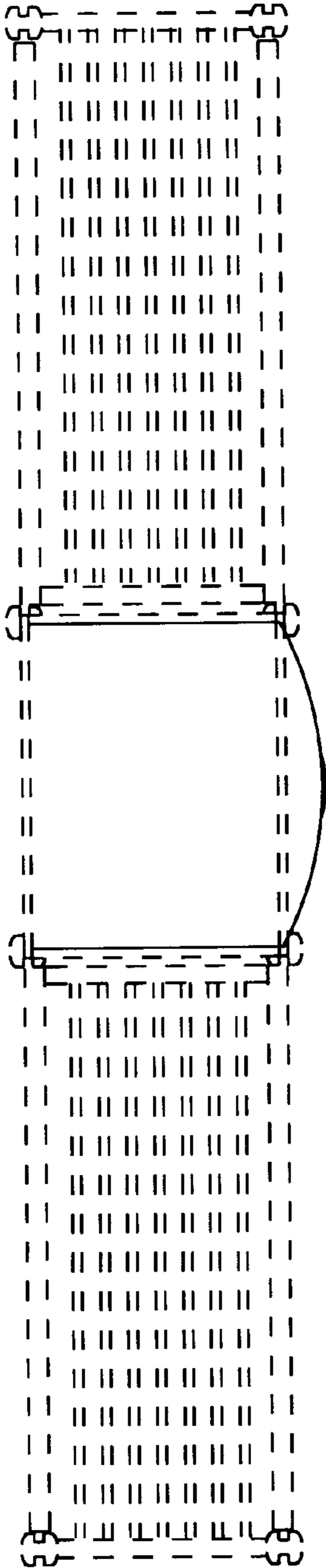


FIG. 6

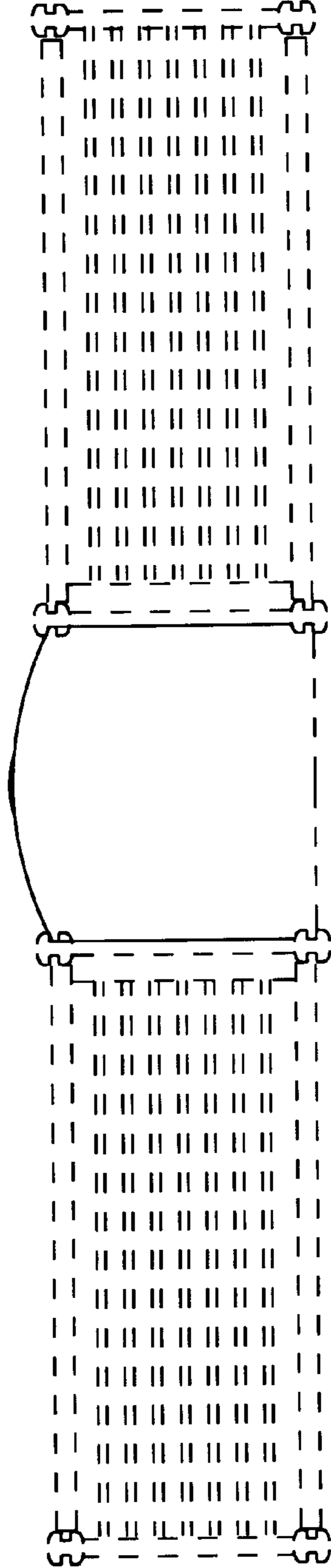


FIG. 7