



US00D409865S

United States Patent [19] West

[11] Patent Number: **Des. 409,865**

[45] Date of Patent: **** May 18, 1999**

[54] **CONSOLE UNIT**

[75] Inventor: **Robert A. West**, Shorewood, Minn.

[73] Assignee: **Westerlund Products Corporation**,
Minneapolis, Minn.

[**] Term: **14 Years**

[21] Appl. No.: **29/082,967**

[22] Filed: **Feb. 2, 1998**

[51] **LOC (6) Cl.** **06-04**

[52] **U.S. Cl.** **D6/509; D6/438**

[58] **Field of Search** D6/509-511, 432,
D6/436-439, 407, 477-479, 626, 631; 108/59,
60; 312/348.1, 348.3, 348.4, 330.1, 9.1;
211/126.1, 126.15, 40, 42, 134, 135, 153,
186, 189

| | | | |
|-----------|---------|------------------|-----------|
| 4,154,492 | 5/1979 | Dunning, III | 211/134 |
| 4,206,955 | 6/1980 | Cooper | 312/107 |
| 4,508,231 | 4/1985 | Honickman | 211/199 |
| 4,696,406 | 9/1987 | Karashima et al. | 211/153 |
| 4,793,664 | 12/1988 | Jackson | 211/153 X |
| 4,832,422 | 5/1989 | Fortmann | 312/330 |
| 4,928,833 | 5/1990 | Huizenga | 211/187 |
| 5,191,986 | 3/1993 | Huizenga | 211/189 |
| 5,337,905 | 8/1994 | Gast | 211/87 |
| 5,341,943 | 8/1994 | Fraser | 211/40 |
| 5,435,644 | 7/1995 | Schuh et al. | 312/257.1 |
| 5,441,162 | 8/1995 | Niblock | 211/153 |
| 5,466,058 | 11/1995 | Chan | 312/111 |
| 5,582,306 | 12/1996 | Balter et al. | 211/187 |
| 5,730,300 | 3/1998 | Chen | 211/40 |
| 5,740,924 | 4/1998 | Hunt | 211/40 |

Primary Examiner—Doris V. Coles
Assistant Examiner—Linda Brooks
Attorney, Agent, or Firm—Schwegman, Lundberg,
Woessner & Kluth, P.A.

[56] **References Cited**

U.S. PATENT DOCUMENTS

| | | | |
|------------|---------|-----------------|-------------|
| D. 337,919 | 8/1993 | Van Der Molen | D6/407 |
| D. 361,011 | 8/1995 | Weisburn et al. | D6/629 |
| D. 364,512 | 11/1995 | Stravitz | D6/407 |
| D. 368,814 | 4/1996 | Riback et al. | D6/477 |
| D. 391,783 | 3/1998 | Neufeld | D6/437 |
| 563,467 | 7/1896 | Farwell | 211/153 |
| 589,463 | 9/1897 | Case | 211/126.6 X |
| 622,666 | 4/1899 | Burwell | 211/153 |
| 2,905,519 | 9/1959 | O'Neil | 312/350 |
| 3,061,395 | 10/1962 | Marateck et al. | 312/350 |
| 3,127,021 | 3/1964 | Nolen | 211/175 |
| 3,393,951 | 7/1968 | Sulentie | 312/283 |
| 3,400,829 | 9/1968 | Youngson | 211/86 |
| 3,465,763 | 9/1969 | Hoffman | 134/154 |
| 3,624,780 | 11/1971 | Elliot et al. | 211/86 |
| 3,650,588 | 3/1972 | Helland | 211/134 |
| 3,698,782 | 10/1972 | Onori | 312/350 |
| 3,891,288 | 6/1975 | Marquette | 312/338 |

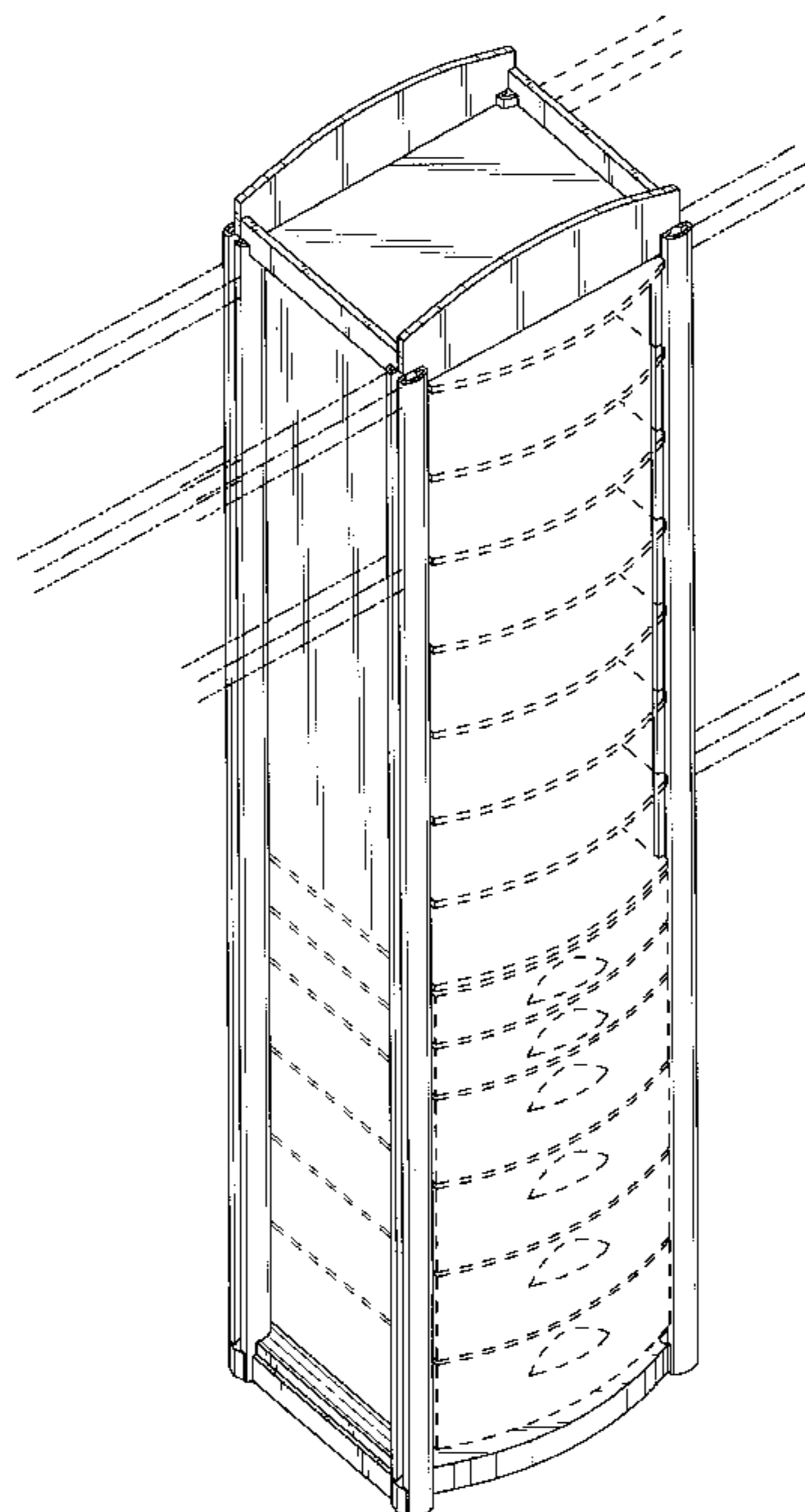
[57] **CLAIM**

The ornamental design for a console unit, as shown and described.

DESCRIPTION

FIG. 1 is a perspective view of a console unit, incorporating the new design.
FIG. 2 is a front elevation of the console unit of FIG. 1 on a reduced scale.
FIG. 3 is a rear elevation of the console unit of FIG. 2.
FIG. 4 is a right side elevation the console unit of FIG. 2.
FIG. 5 is a left side elevation the console unit of FIG. 2.
FIG. 6 is a top plan of the console unit of FIG. 2; and,
FIG. 7 is a bottom plan of the console unit of FIG. 2.
The broken line showing of shelves, drawers, and other environmental structure in FIGS. 1-7 is for illustrative purposes only and forms no part of the claimed design.

1 Claim, 5 Drawing Sheets



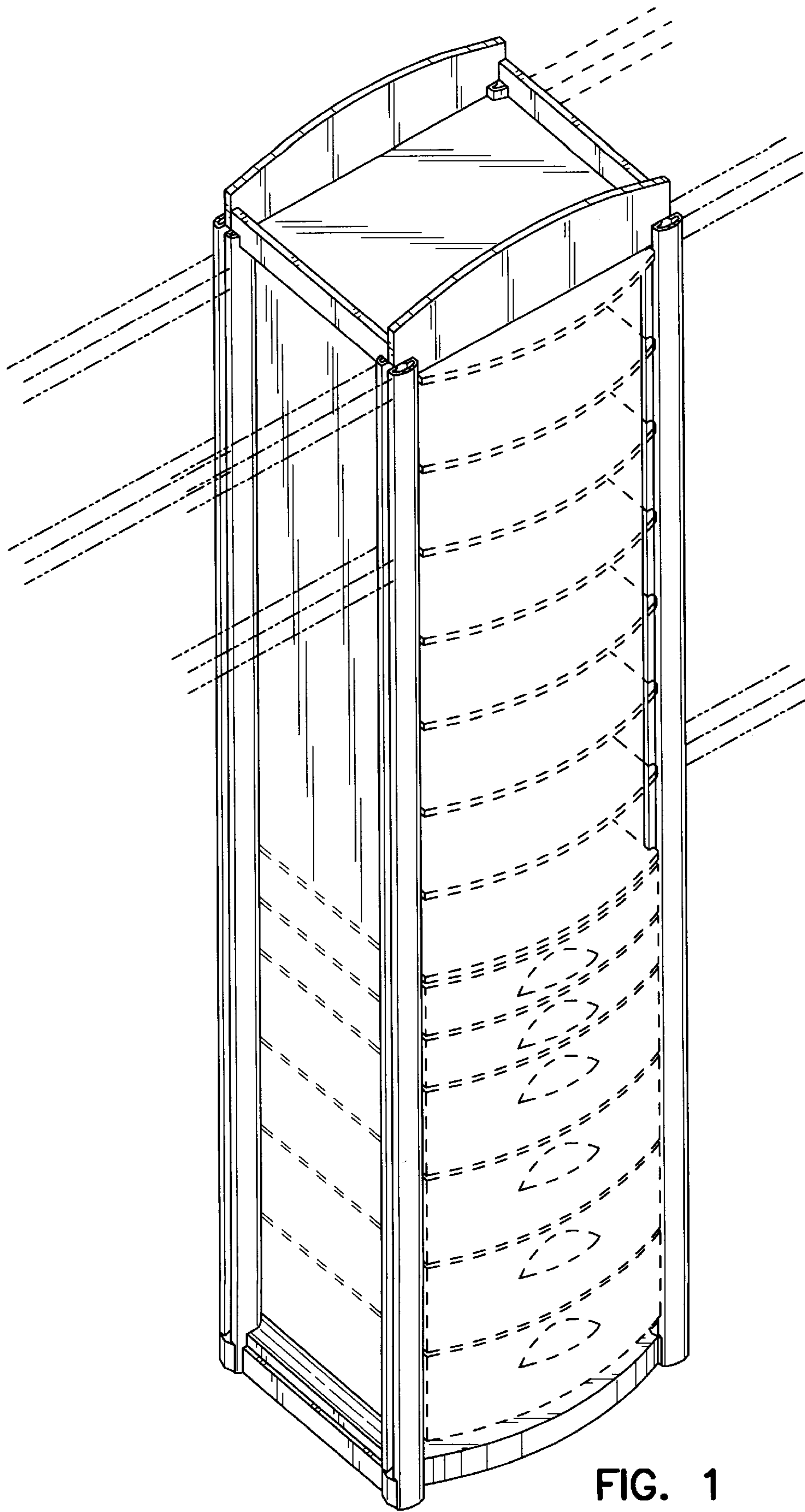


FIG. 1

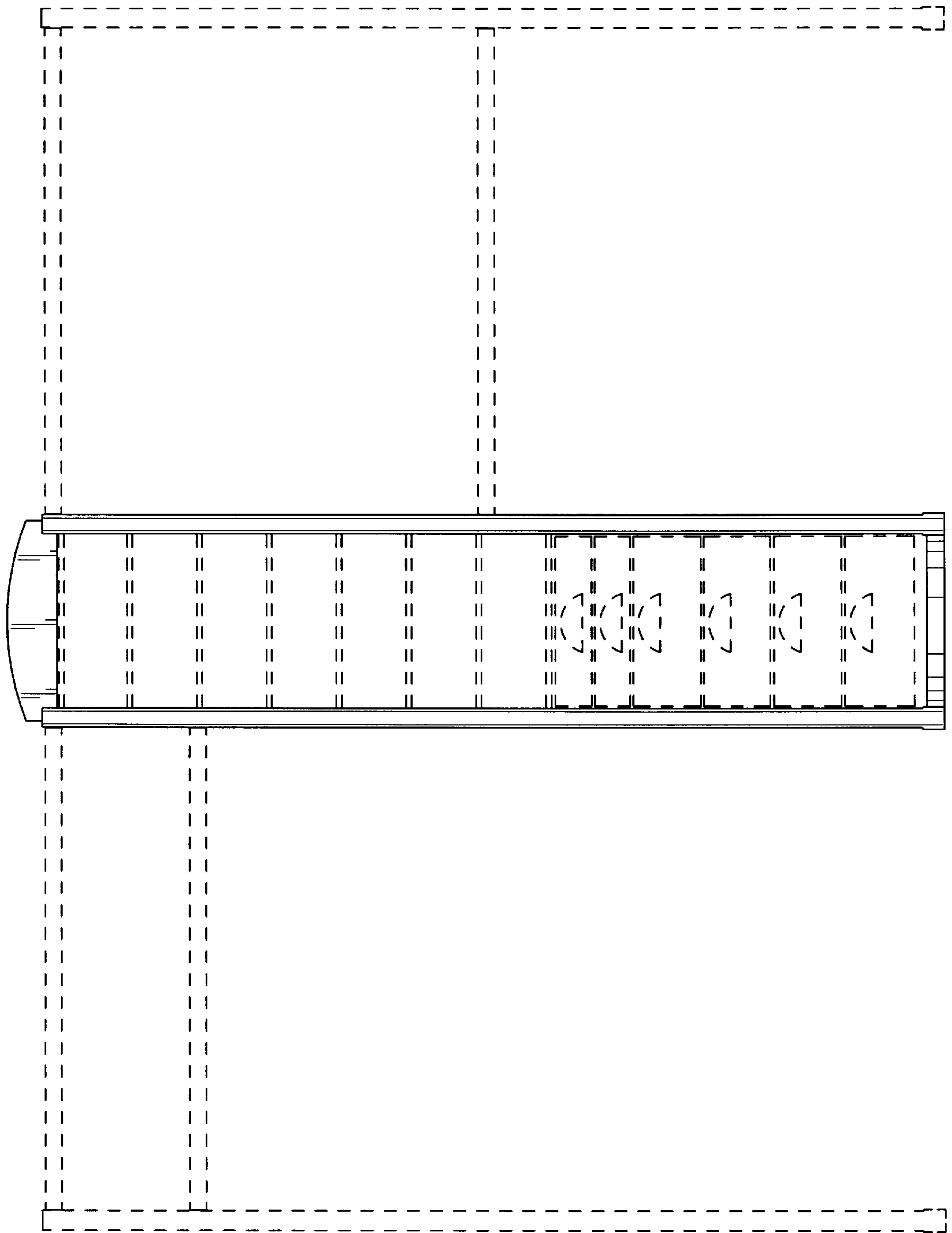


FIG. 2

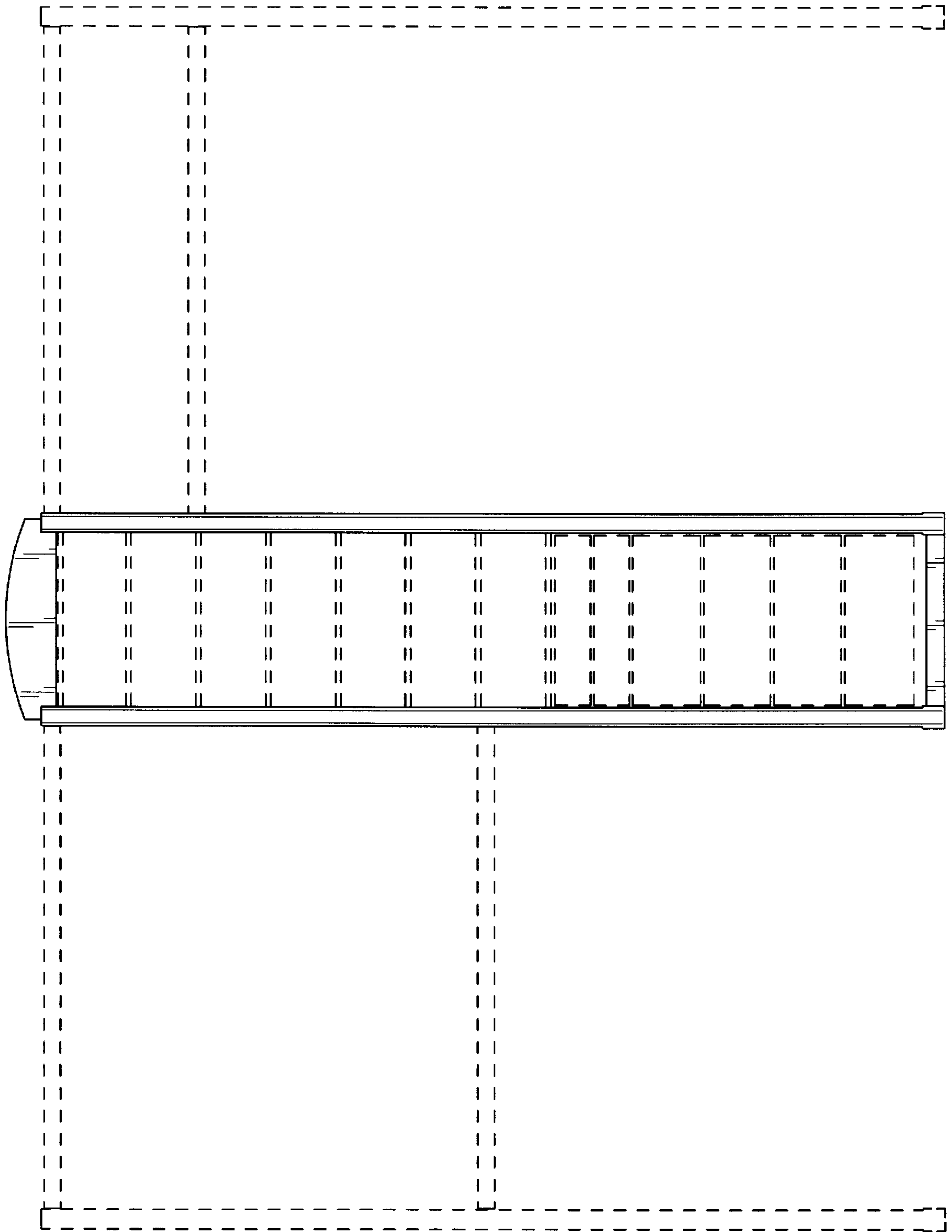


FIG. 3

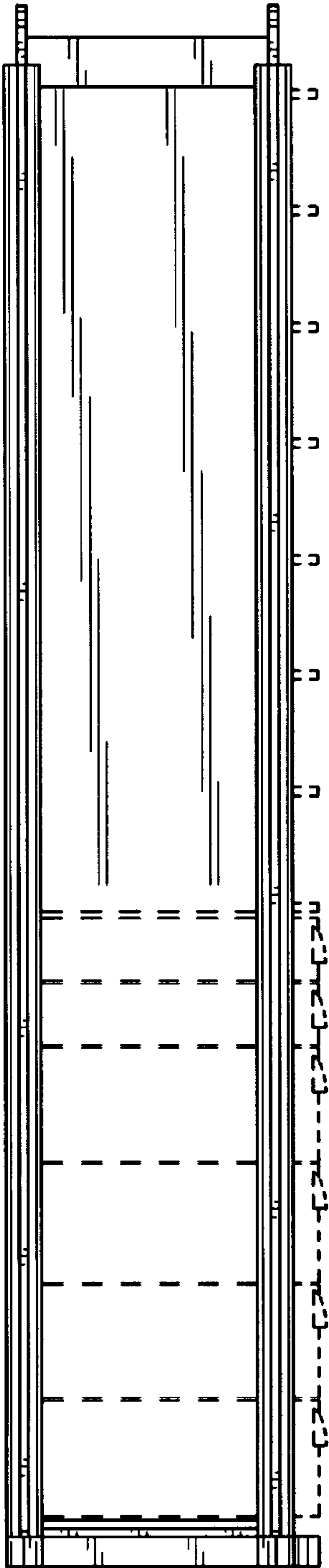


FIG. 4

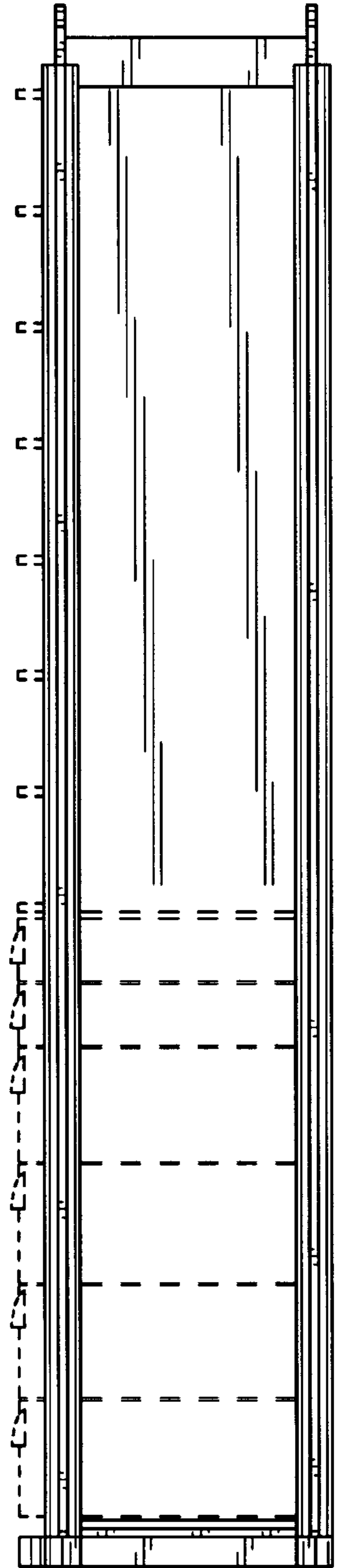


FIG. 5

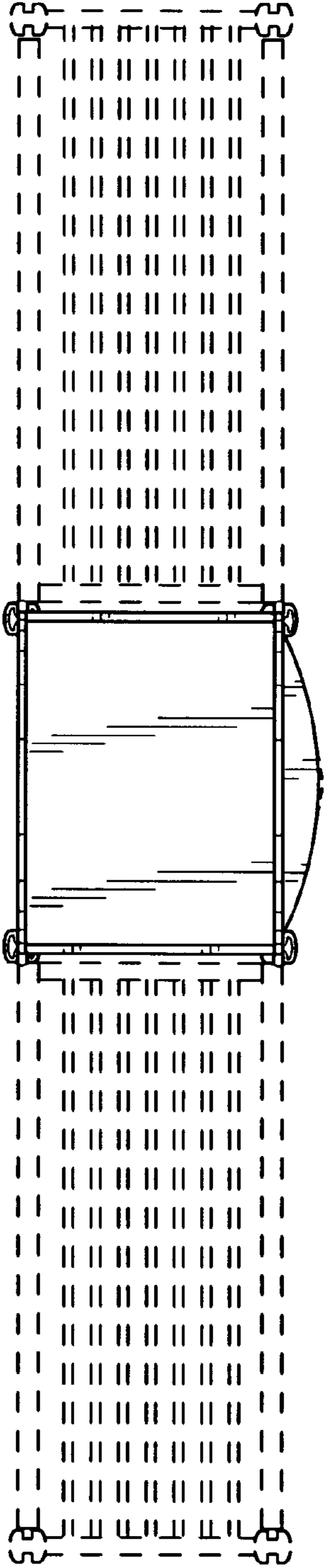


FIG. 6

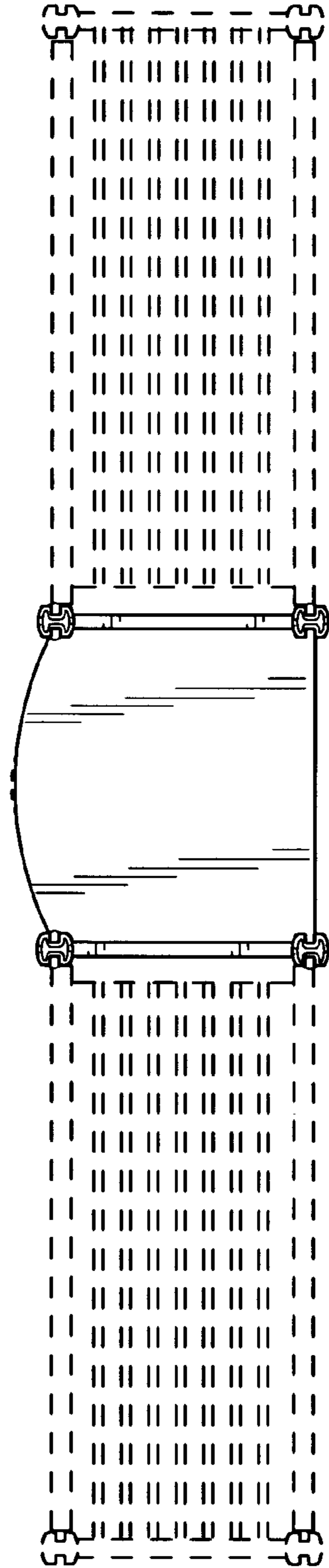


FIG. 7