



US00D409862S

United States Patent [19]

[11] **Patent Number: Des. 409,862**

Glaser et al.

[45] **Date of Patent: ** May 18, 1999**

[54] CHAIR TILTING MECHANISM

Primary Examiner—Jeffrey Asch
Attorney, Agent, or Firm—Stroock & Stroock & Lavan LLP

[76] Inventors: **Alan Glaser; Lesley Glaser**, both of
Advance Seating Designs, Unit 7
Everitt Road, London, United Kingdom,
NW10 6PL

[57] CLAIM

The ornamental design for a chair tilting mechanism, as shown and described.

[**] Term: **14 Years**

DESCRIPTION

[21] Appl. No.: **29/084,019**

FIG. 1 is a front perspective view of a first embodiment of a chair tilting mechanism from above and one side;

[22] Filed: **Feb. 23, 1998**

FIG. 2 is a front perspective view from below and one side;

[30] Foreign Application Priority Data

Nov. 19, 1997 [GB] United Kingdom 2070622
Dec. 22, 1997 [GB] United Kingdom 2071252

FIG. 3 is a side view;

[51] **LOC (6) Cl.** **06-06**

FIG. 4 is an opposite side view;

[52] **U.S. Cl.** **D6/500**

FIG. 5 is an enlarged top view;

[58] **Field of Search** D6/366–368, 500–502,
D6/495, 498, 379, 372, 373, 364, 365;
297/411.2, 411.4, 411.44, 411.36, 450.1,
452.11, 452.21, 452.29, 463.1, 230.1, 230.12,
284.1, 284.4

FIG. 6 is an enlarged front view;

FIG. 7 is a front perspective view of a second embodiment, this view being from above and one side;

[56] References Cited

FIG. 8 is a front perspective view of the second embodiment, this view being from below and one side;

U.S. PATENT DOCUMENTS

D. 285,633 9/1986 Doerner D6/500
D. 289,591 5/1987 Groseth D6/500
D. 290,073 6/1987 Doerner D6/500
D. 292,459 10/1987 Doerner D6/500
5,131,116 7/1992 Bowdler 279/463.1 X
5,447,357 9/1995 Dauphin 297/463.1 X

FIG. 9 is a side view of the second embodiment;

FIG. 10 is an opposite side view of the second embodiment;

FIG. 11 is an enlarged top view of the second embodiment; and,

FIG. 12 is an enlarged front view of the second embodiment.

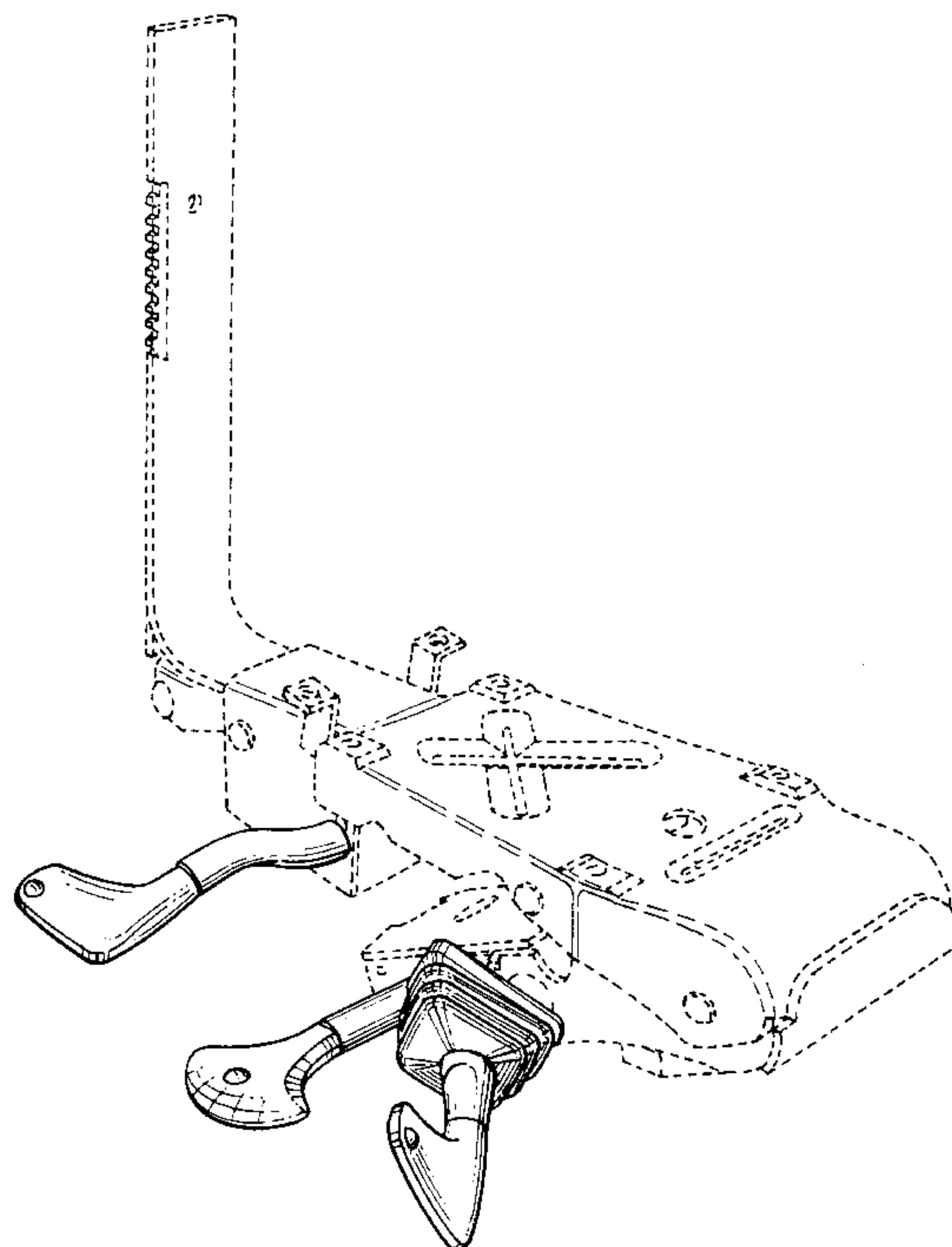
The broken line showings of portions of the chair tilting mechanism throughout the views are for illustrative purposes only and form no part of the claimed design.

OTHER PUBLICATIONS

National Business Furniture Catalog, p. 78, chair at bottom left, Oct. 1996.

Canadian Industrial design, May 1992.

1 Claim, 12 Drawing Sheets



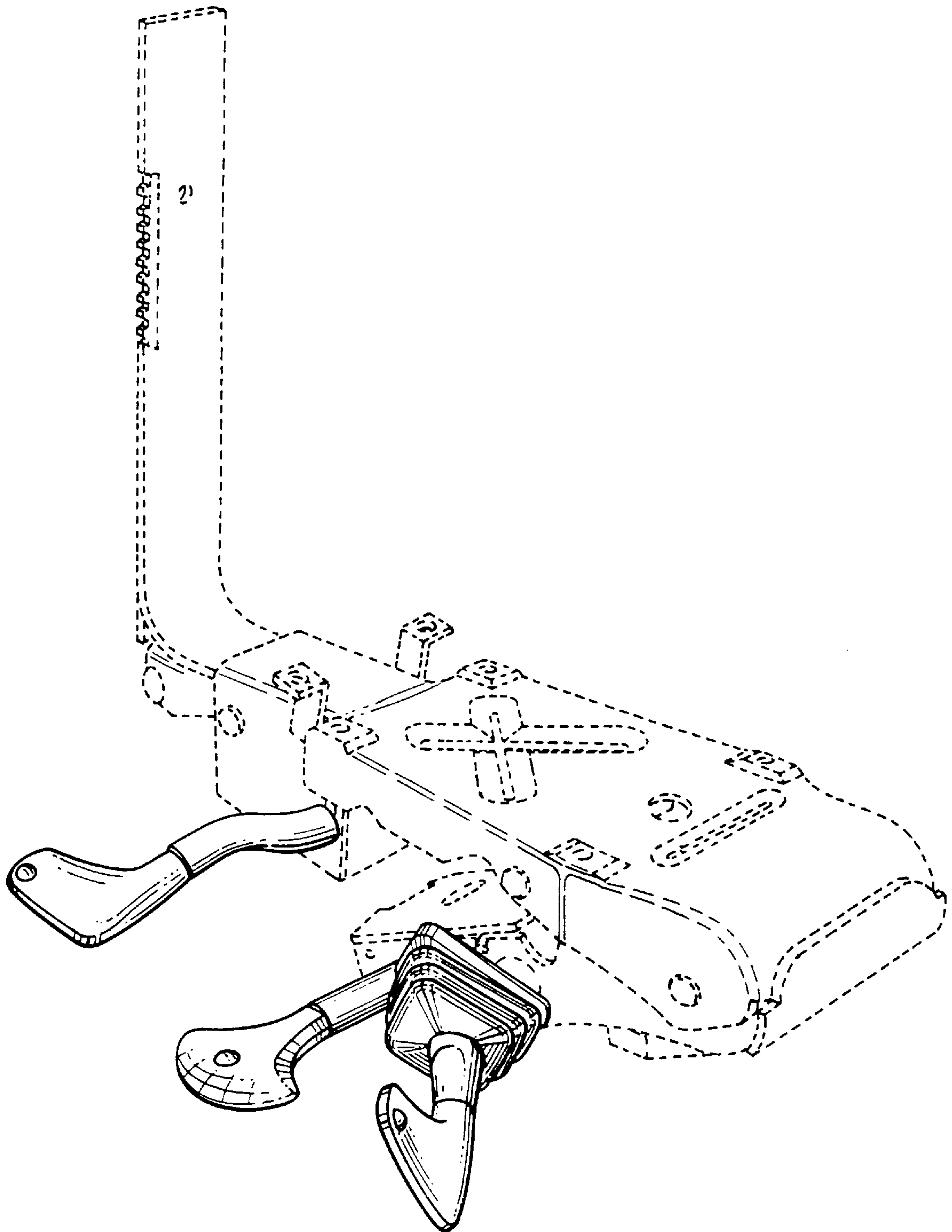


Fig. 1

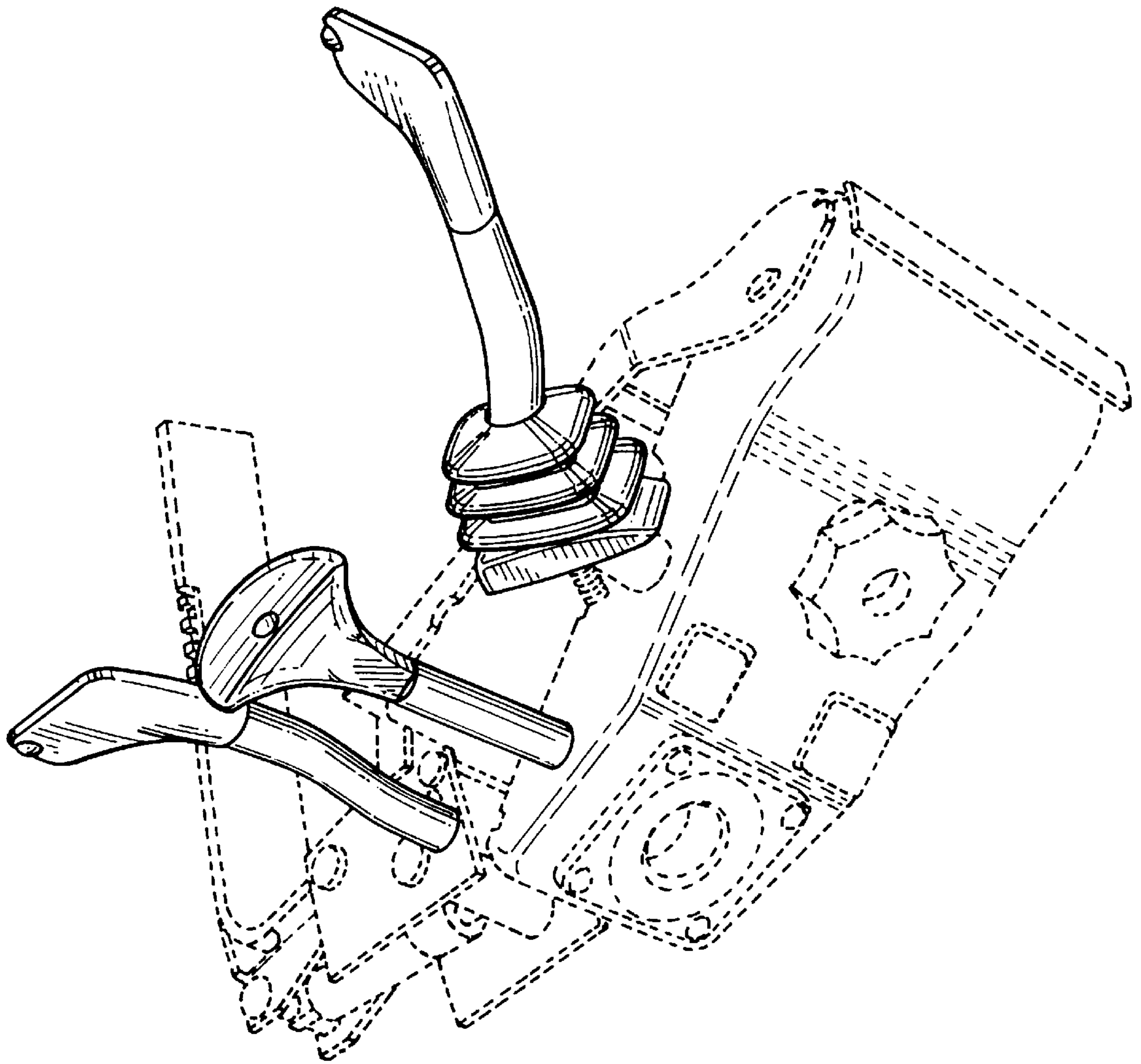
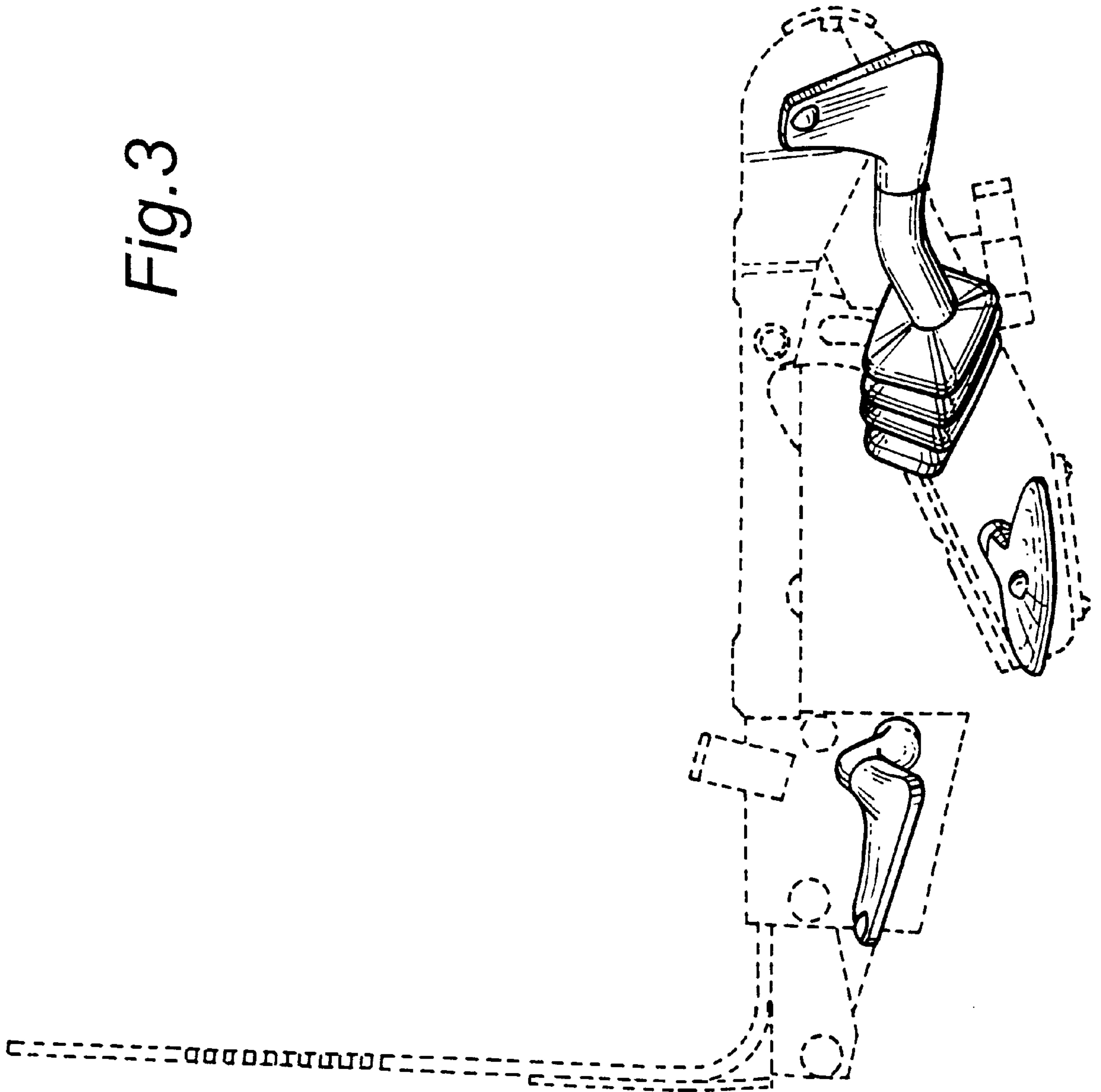


Fig. 2

Fig. 3



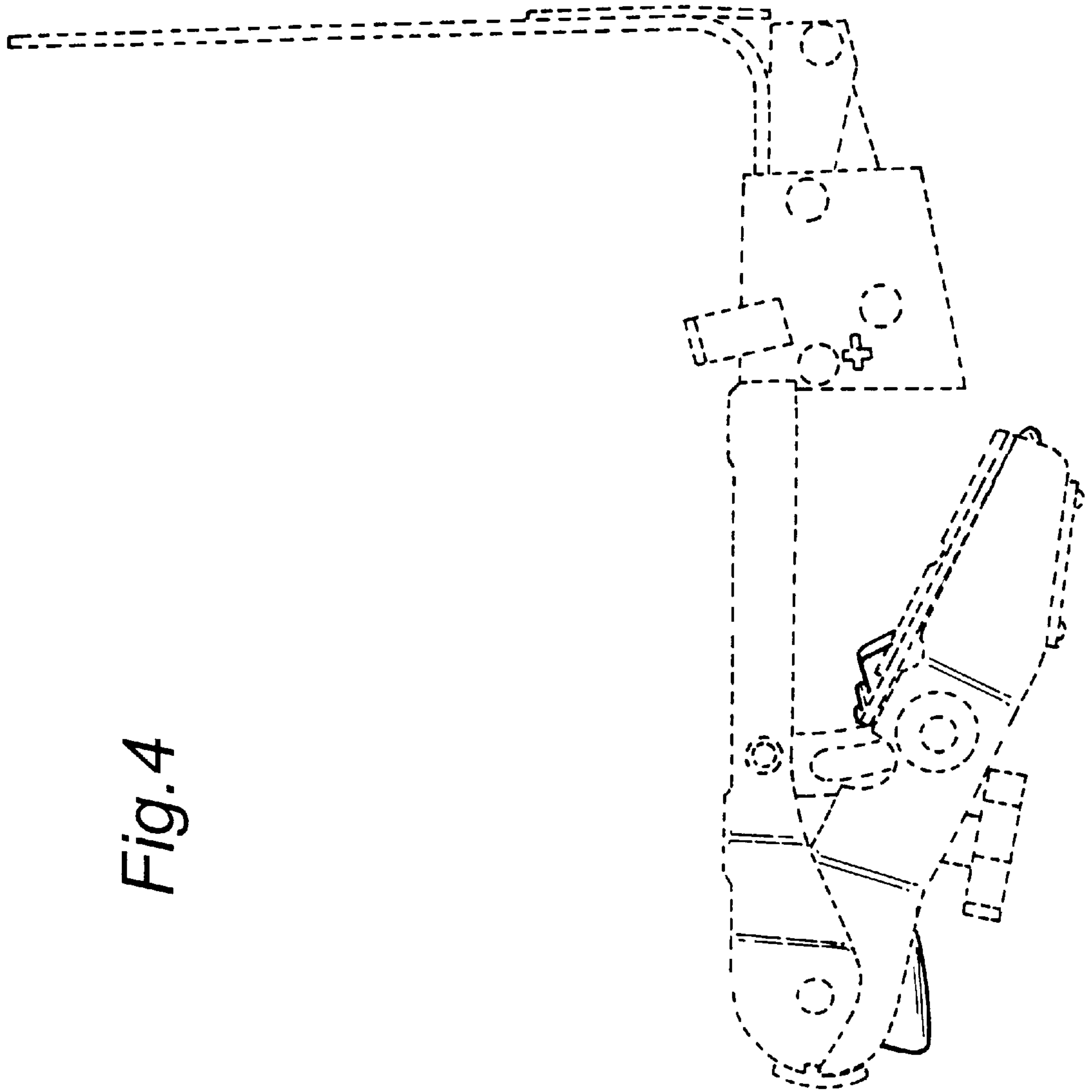


Fig. 4

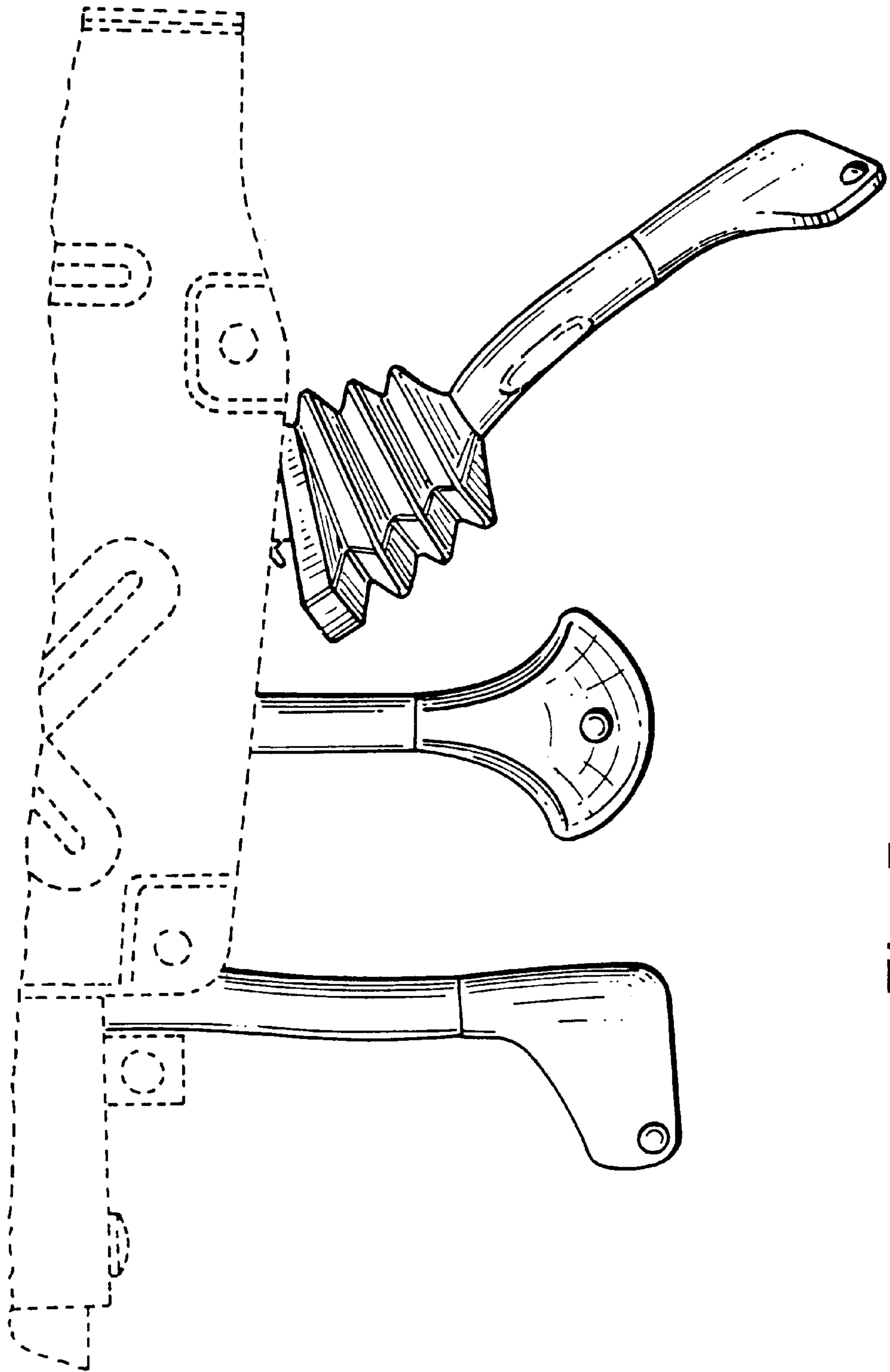


Fig. 5

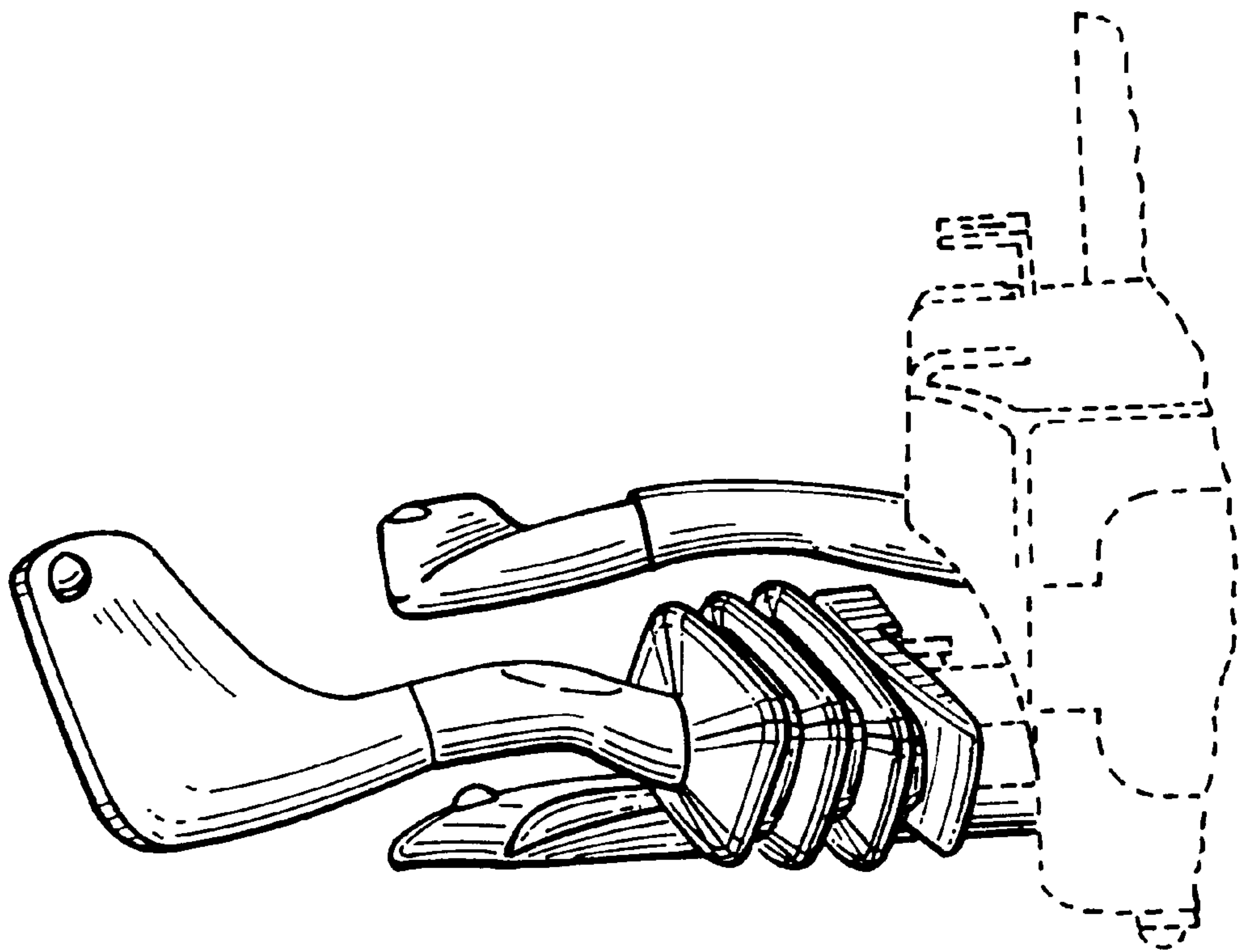


Fig. 6

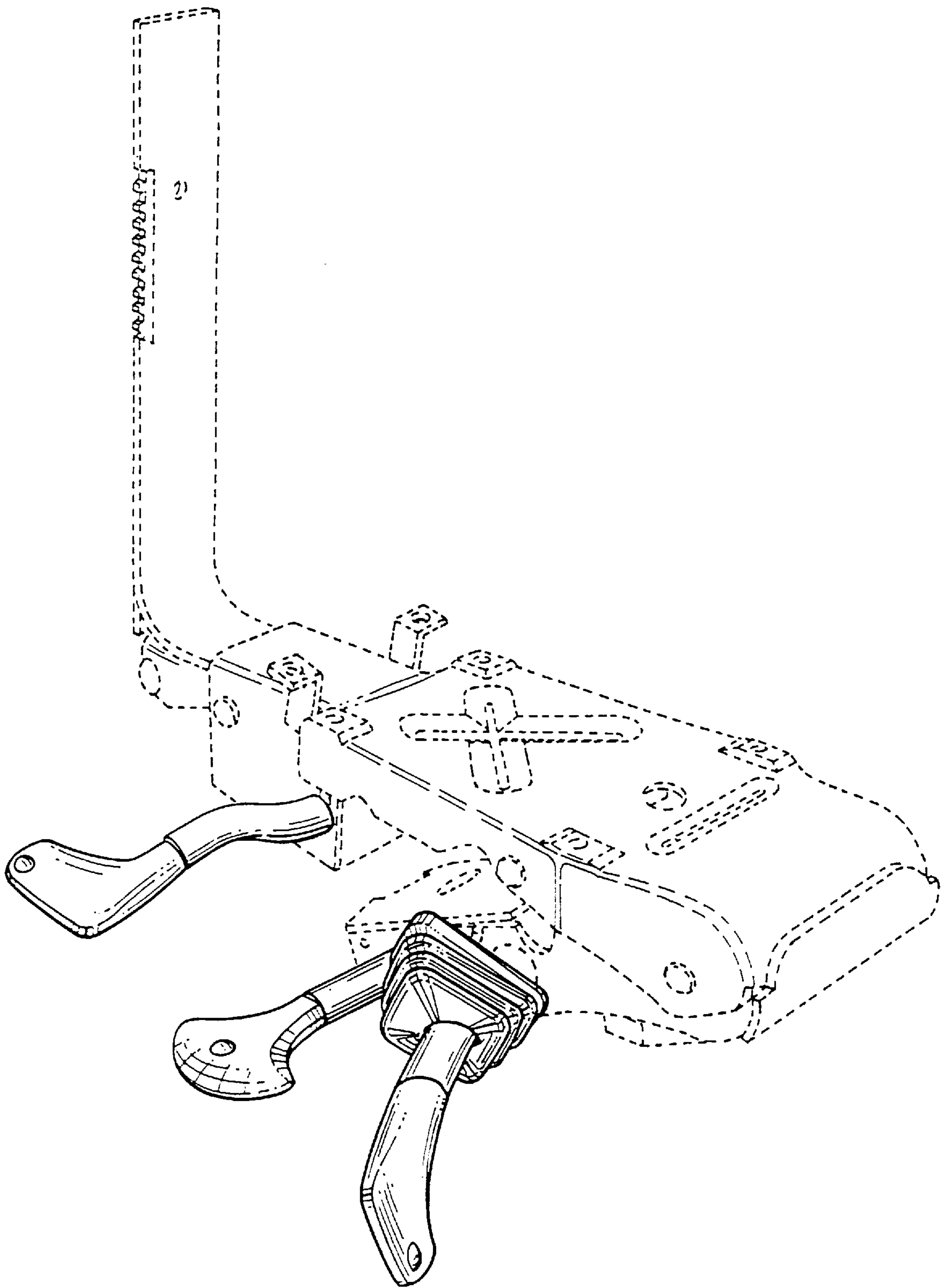


Fig. 7

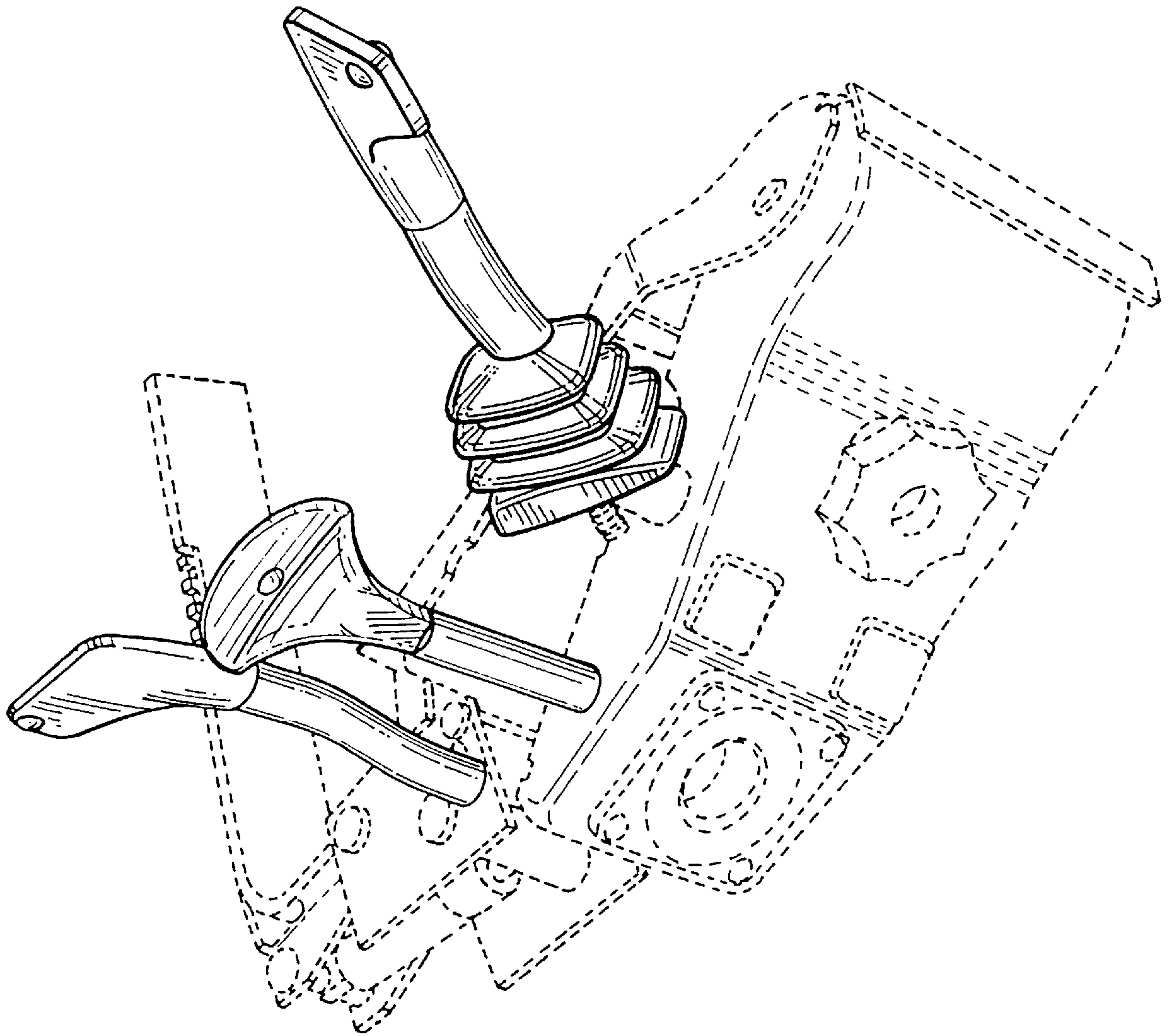
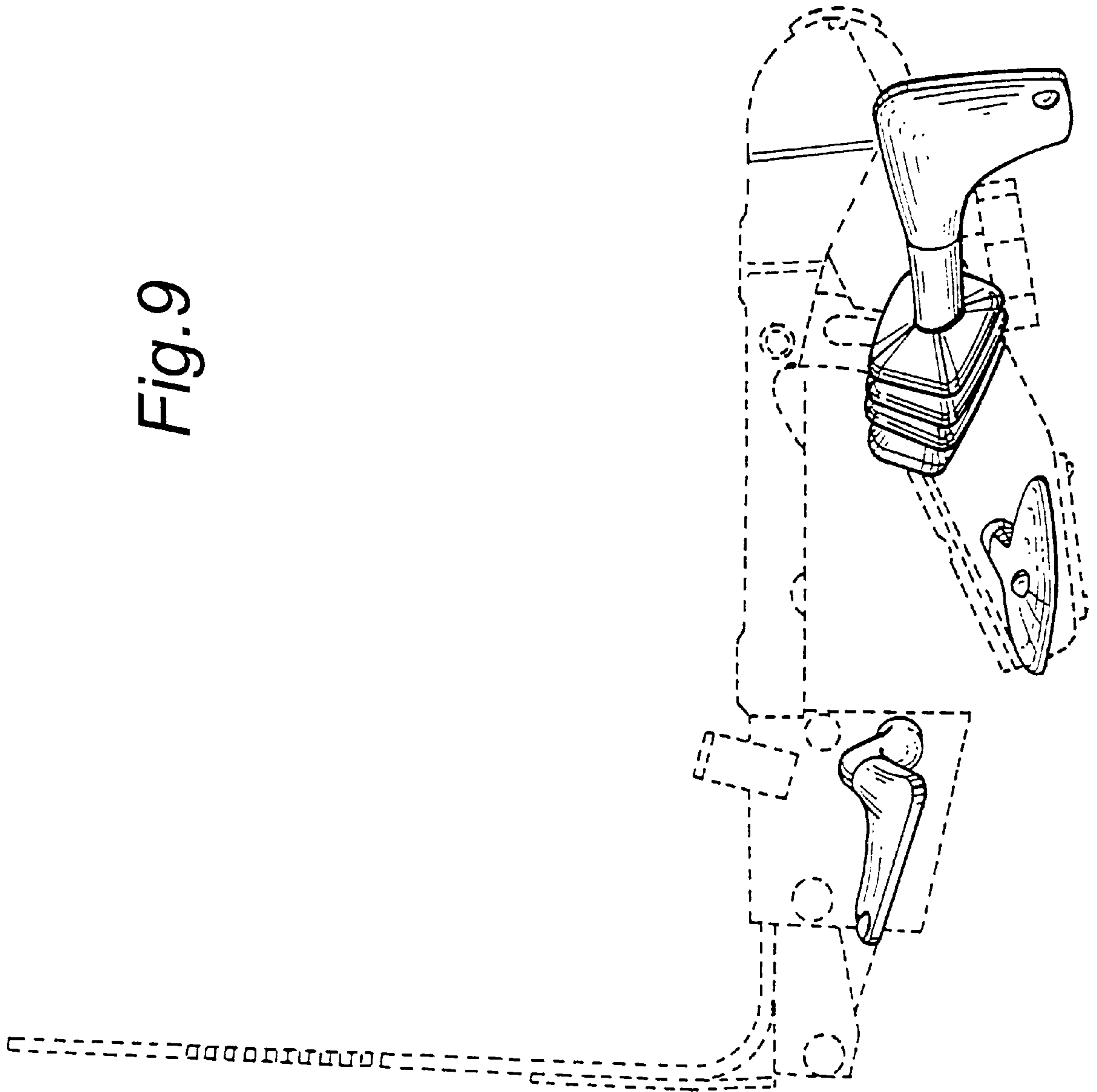


Fig. 8

Fig. 9



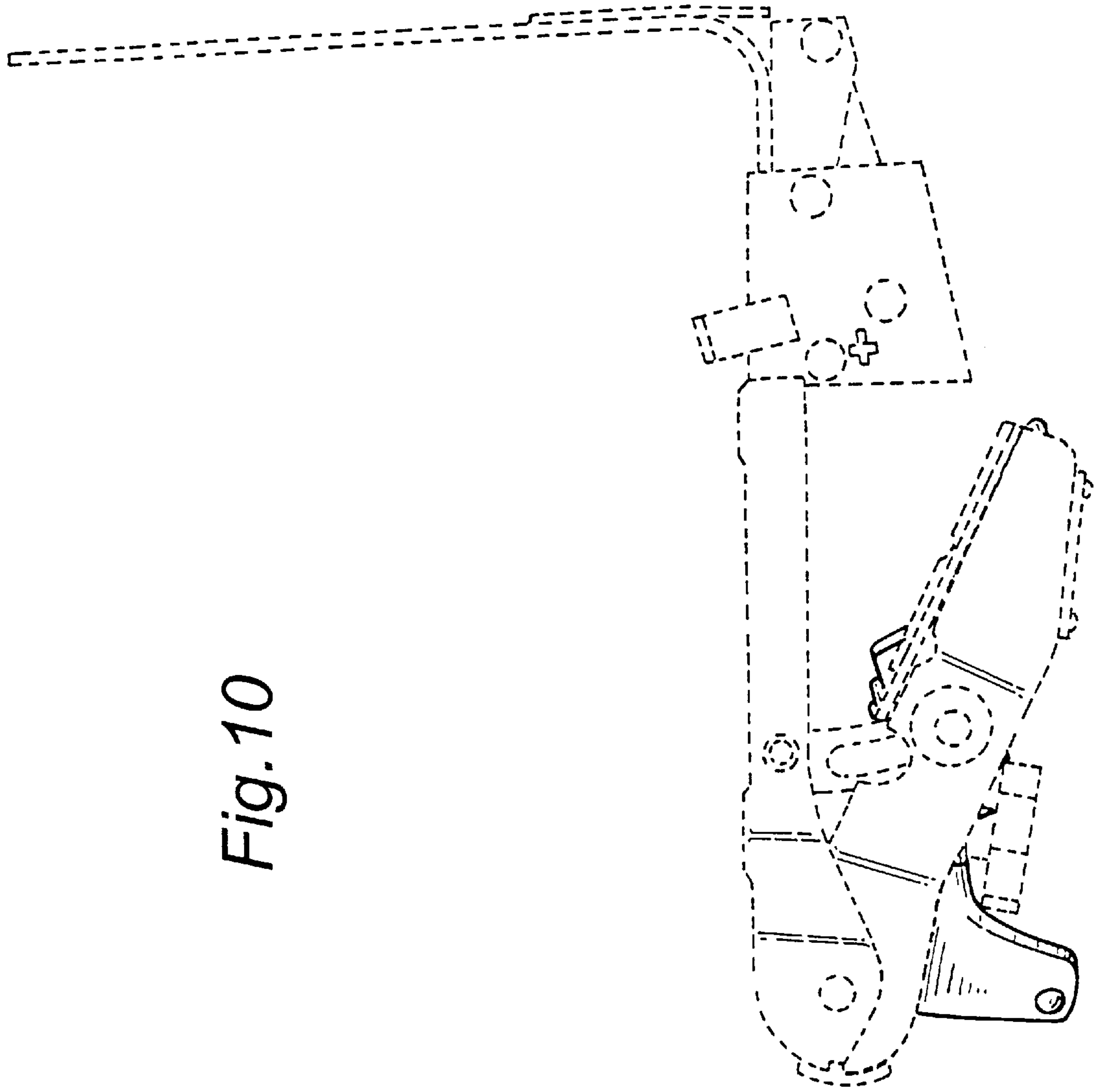


Fig. 10

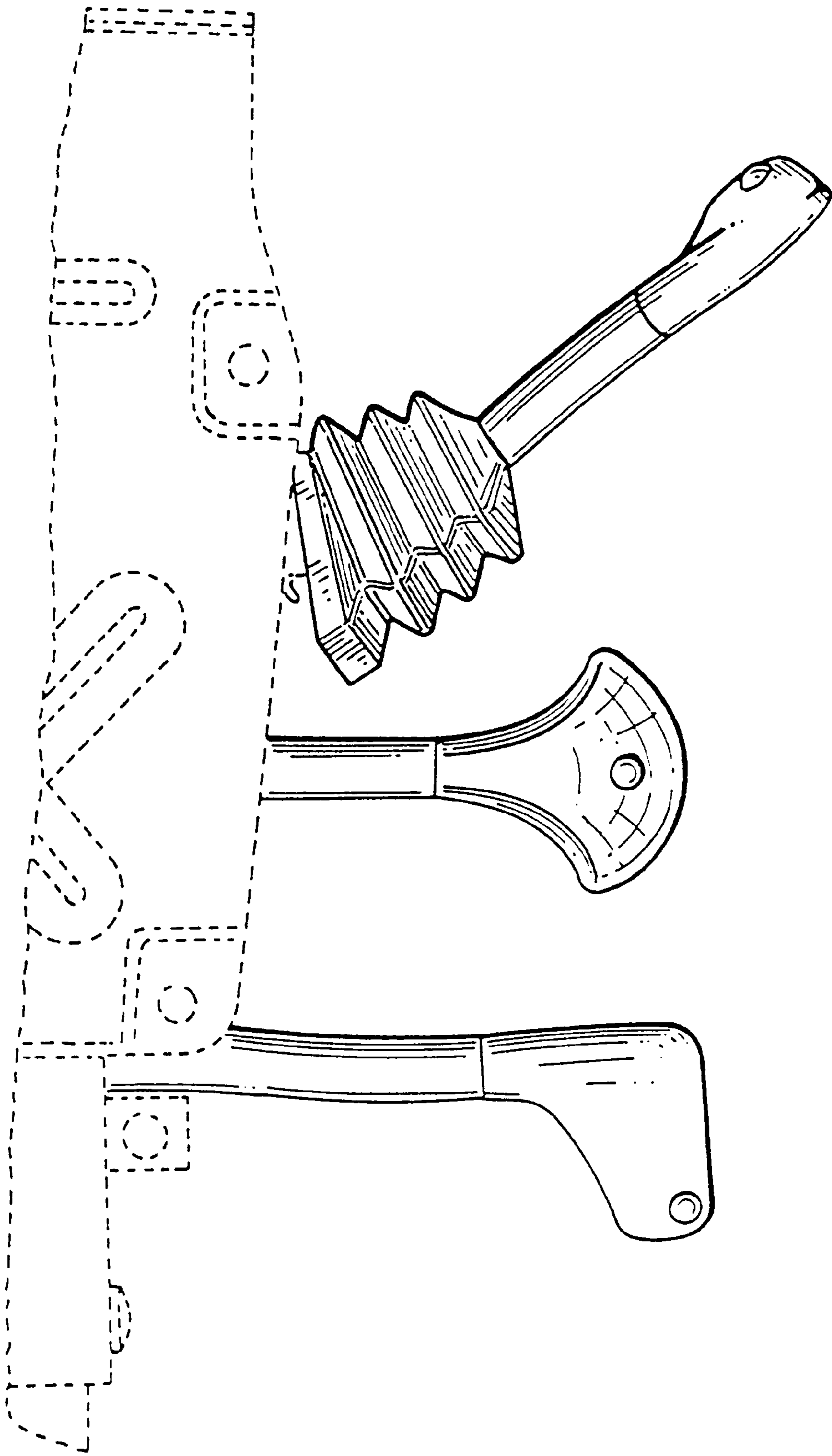


Fig. 11

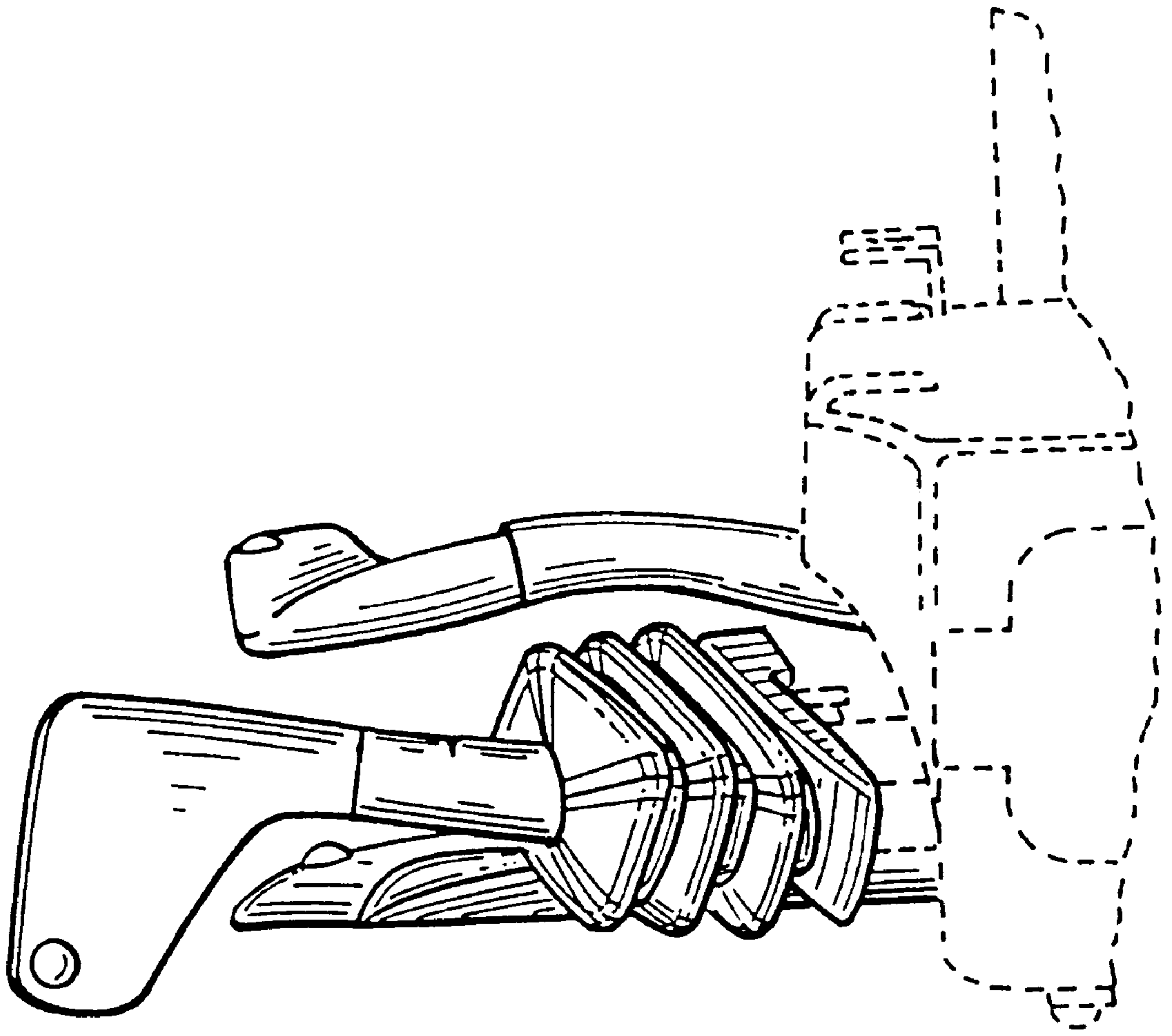


Fig. 12