



US00D409861S

# United States Patent [19]

Newhouse

[11] Patent Number: **Des. 409,861**

[45] Date of Patent: **\*\* May 18, 1999**

[54] **TABLE LEG FOR A CONFERENCING AND TRAINING TABLE**

[75] Inventor: **Thomas J. Newhouse**, Grand Rapids, Mich.

[73] Assignee: **Herman Miller, Inc.**, Zeeland, Mich.

[\*\*] Term: **14 Years**

[21] Appl. No.: **29/088,213**

[22] Filed: **May 18, 1998**

[51] **LOC (6) Cl.** ..... **06-06**

[52] **U.S. Cl.** ..... **D6/495; D6/498**

[58] **Field of Search** ..... D6/480-489, 495-499, D6/423, 422, 366; 108/153.1, 161; 248/188, 188.1, 188.7, 188.8

[56] **References Cited**

**U.S. PATENT DOCUMENTS**

D. 75,012	5/1928	Johnson	.....	D6/498
D. 236,402	8/1975	Lubke	.....	D6/487
D. 250,373	11/1978	Prizlow et al.	.....	D6/366
D. 314,299	2/1991	Diffrient	.....	D6/495
D. 320,320	10/1991	Van Ditshuizen	.....	D6/422
D. 321,102	10/1991	Newhouse	.....	D6/484
D. 367,194	2/1996	Hannum	.....	D6/495
D. 369,486	5/1996	Mann et al.	.....	D6/484
D. 379,127	5/1997	Schacht	.....	D6/495
3,185,423	5/1965	Jones, III	.....	D6/480
4,094,256	6/1978	Holper et al.	.....	108/50
4,366,758	1/1983	Brecher	.....	108/64
4,732,088	3/1988	Koechlin et al.	.....	108/64
4,941,412	7/1990	Engel	.....	108/156
5,163,373	11/1992	Anderson et al.	.....	108/153

5,379,975	1/1995	Berkowitz et al.	.....	248/188.8
5,435,254	7/1995	Amey et al.	.....	108/64
5,483,900	1/1996	Elzenbeck	.....	108/64
5,549,265	8/1996	Minchey et al.	.....	248/188.2

*Primary Examiner*—Janice E. Seeger  
*Attorney, Agent, or Firm*—Brinks Hofer Gilson & Lione

[57] **CLAIM**

The ornamental design for a table leg for a conferencing and training table, as shown and described.

**DESCRIPTION**

FIG. 1 is a perspective view of a table leg for a conferencing and training table showing my new design;

FIG. 2 is a front view of a table leg for a conferencing and training table showing my new design; the rear view being identical.

FIG. 3 is a right side view thereof, the left side view being identical;

FIG. 4 is a top view thereof; and

FIG. 5 is a bottom view thereof.

FIG. 6 is a perspective view of another embodiment of a table leg for a conferencing and training table showing my new design;

FIG. 7 is a front view of, the embodiment shown in FIG. 6, a table leg for a conferencing and training table showing my new design; the rear, right and left views being identical.

FIG. 8 is a top view of the embodiment shown in FIG. 6; and,

FIG. 9 is a bottom view thereof.

The broken lines are for environmental purposes only and form no part of the claimed design.

**1 Claim, 4 Drawing Sheets**

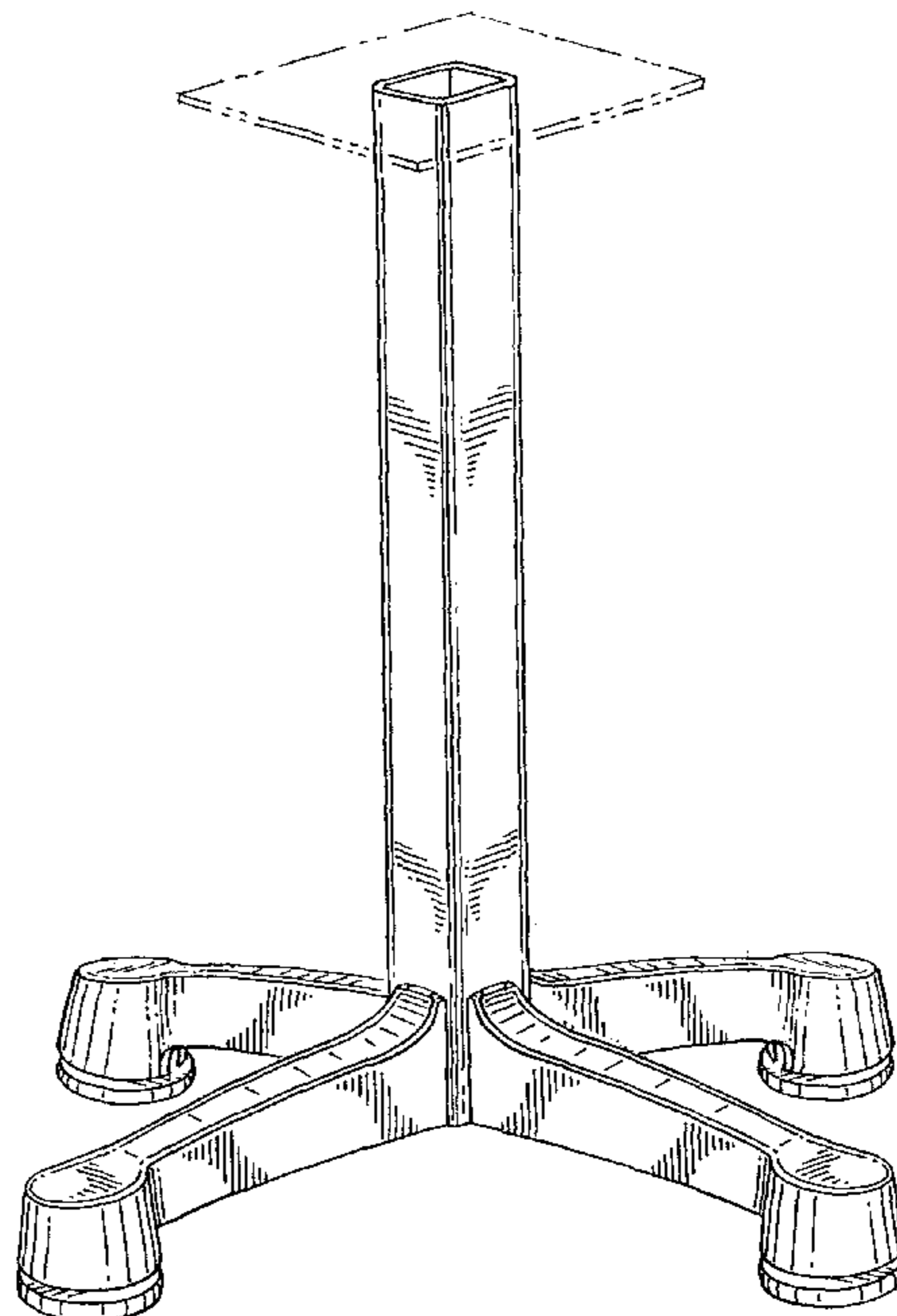
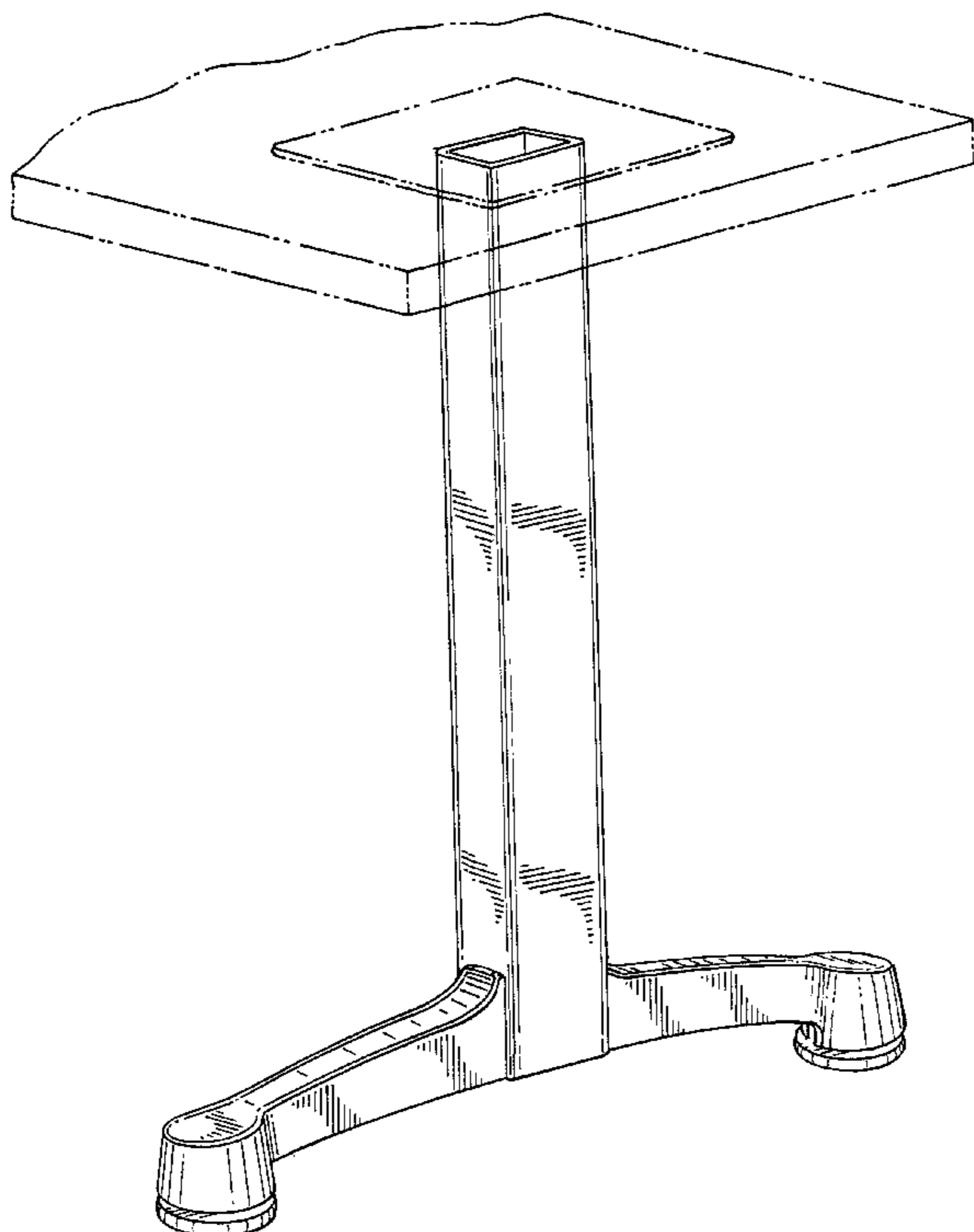


FIG. 1

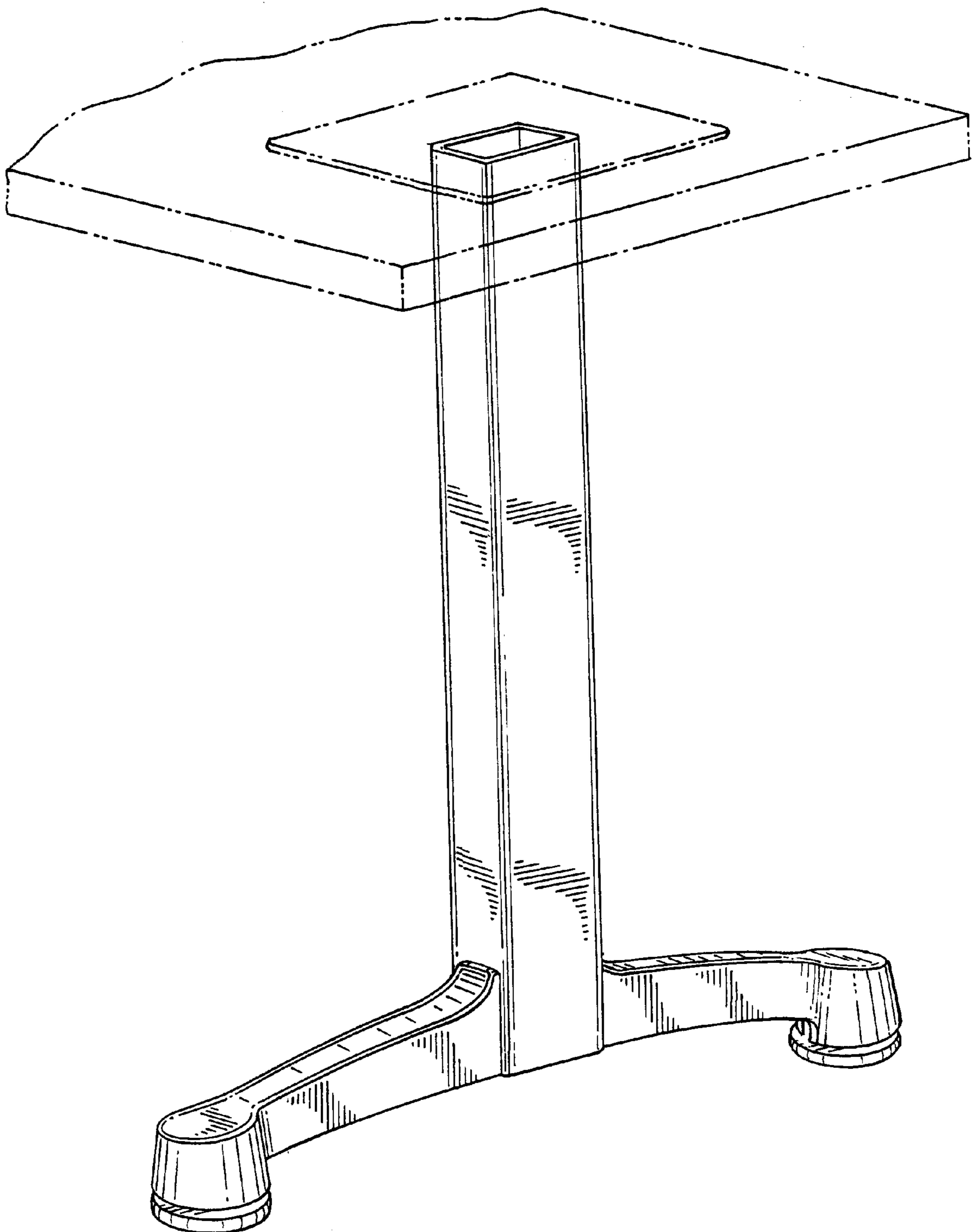


FIG. 2

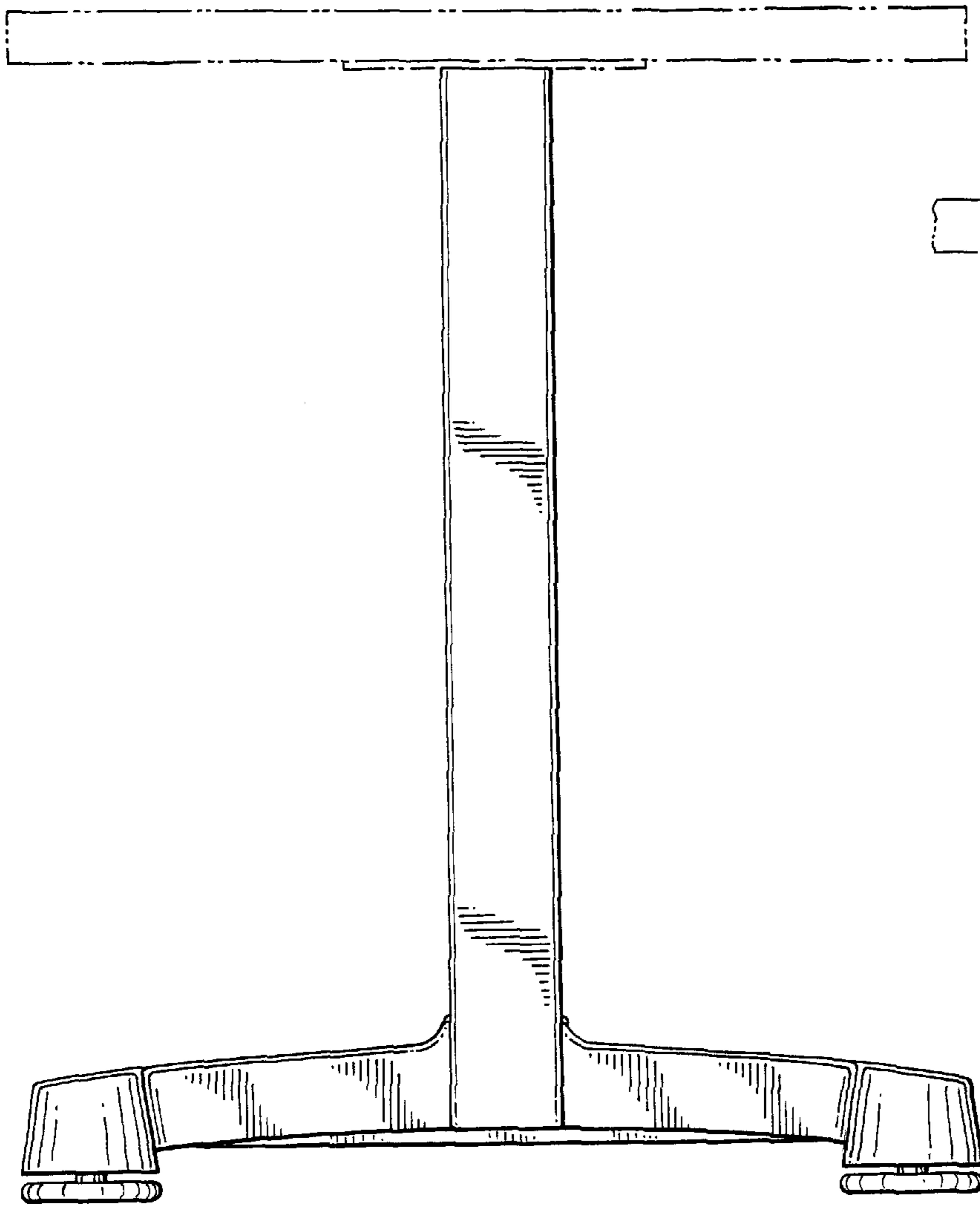


FIG. 3

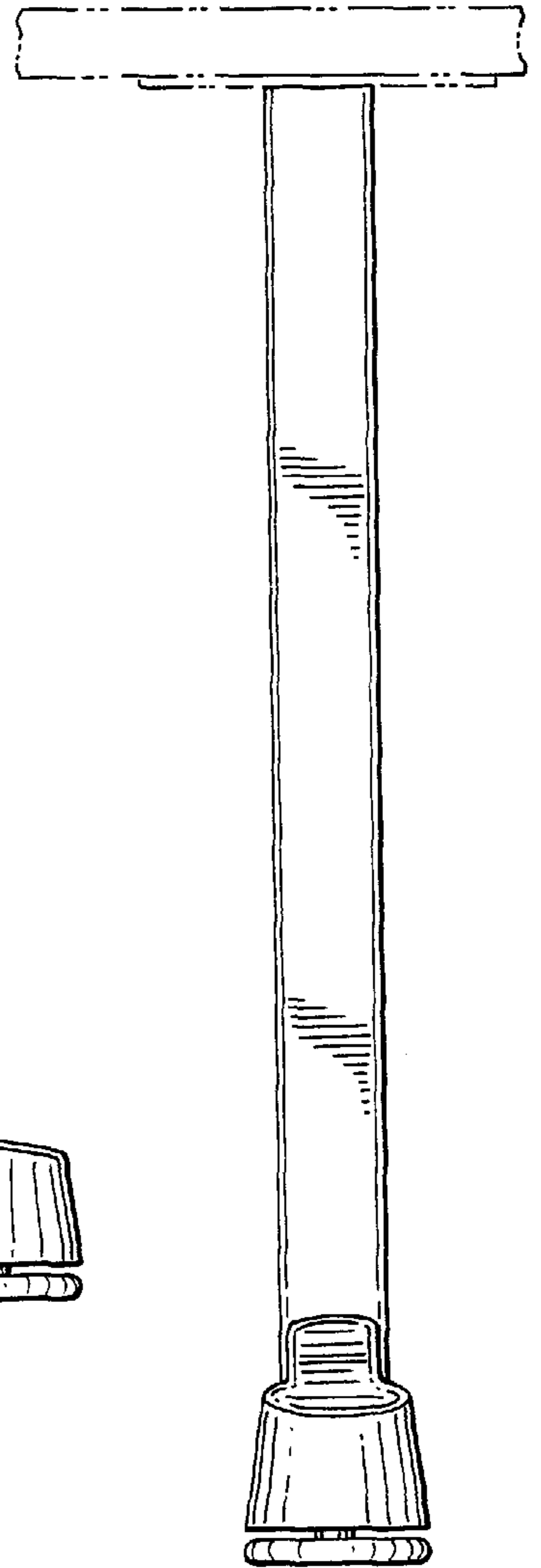


FIG. 4

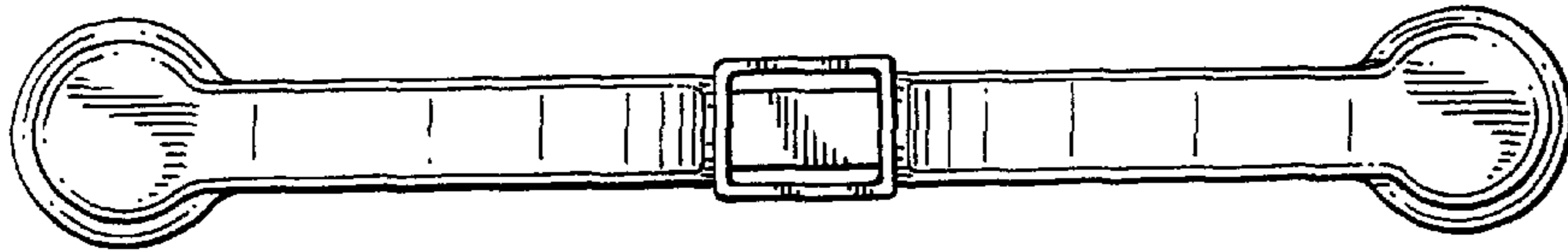
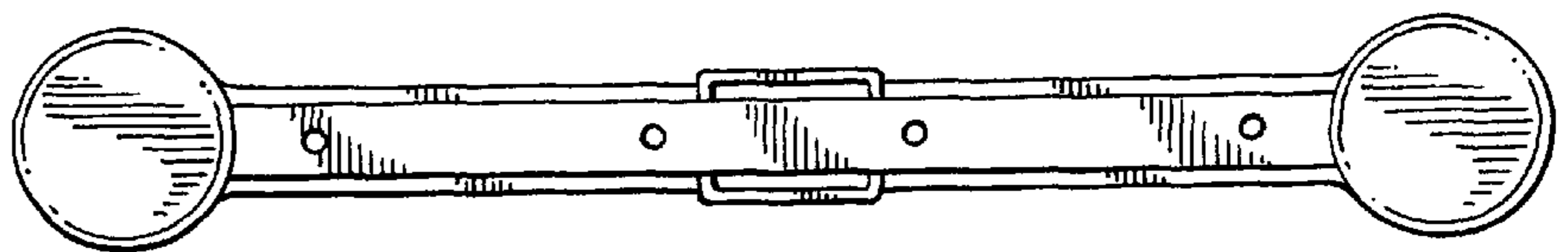


FIG. 5



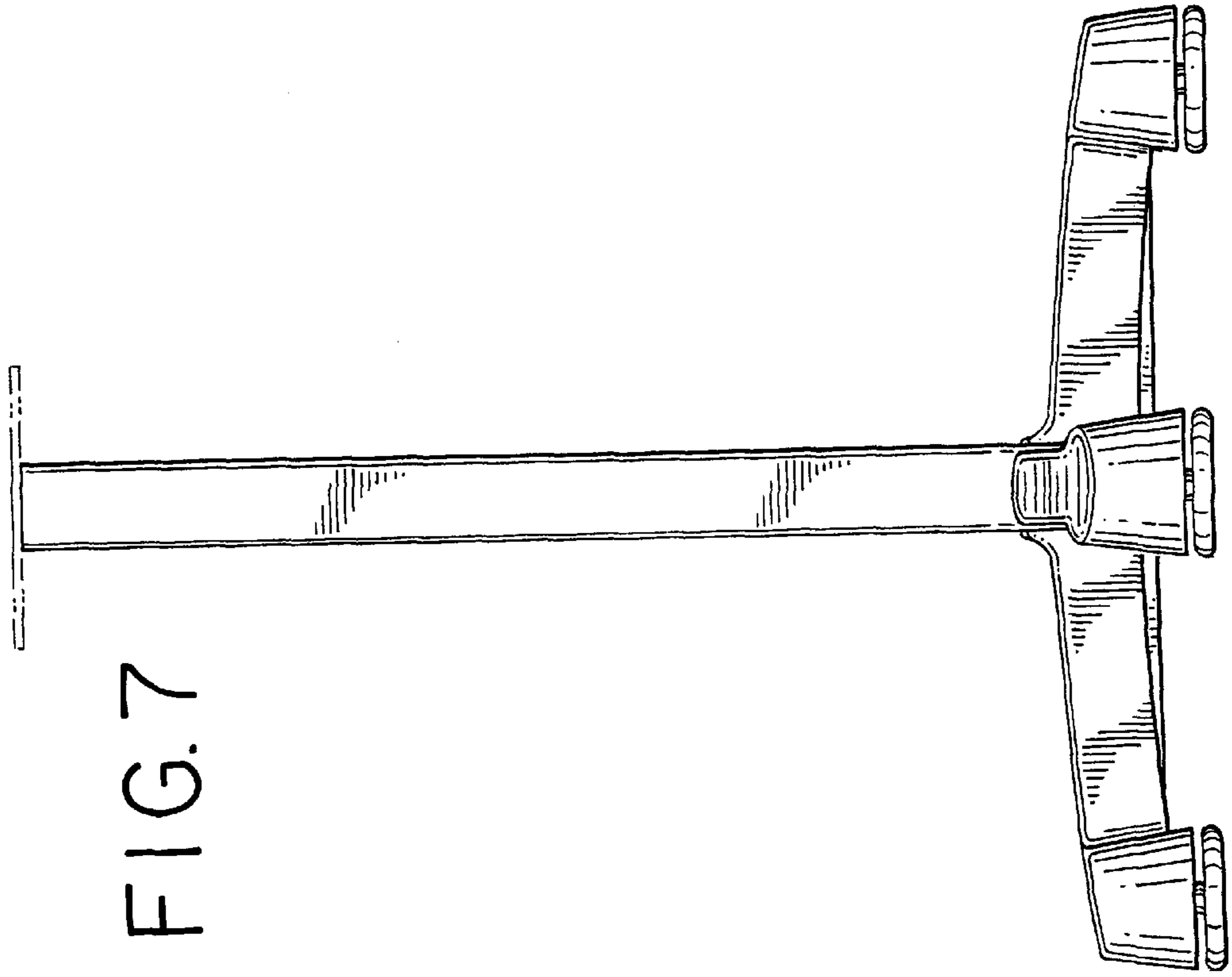


FIG. 7

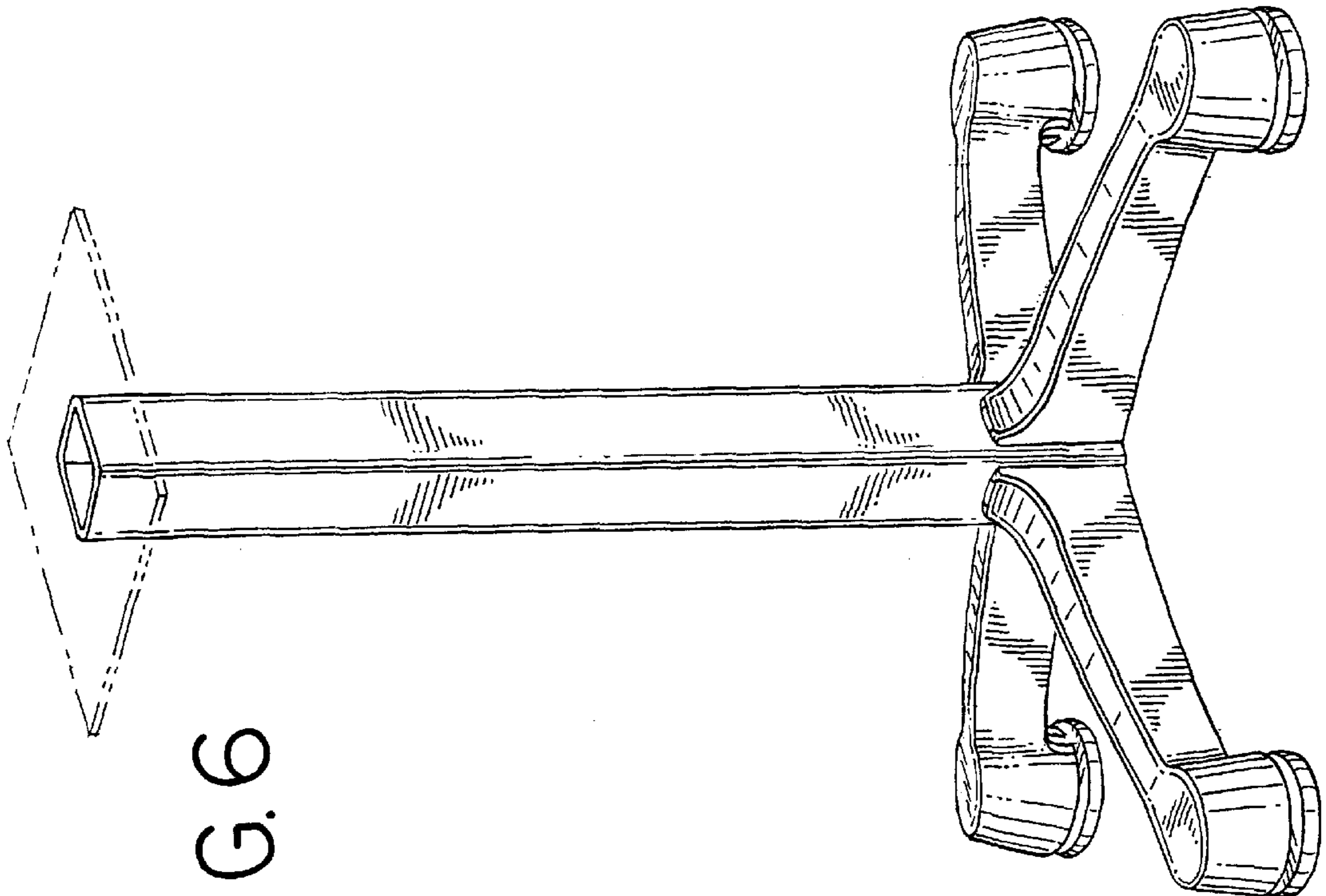


FIG. 6

FIG. 8

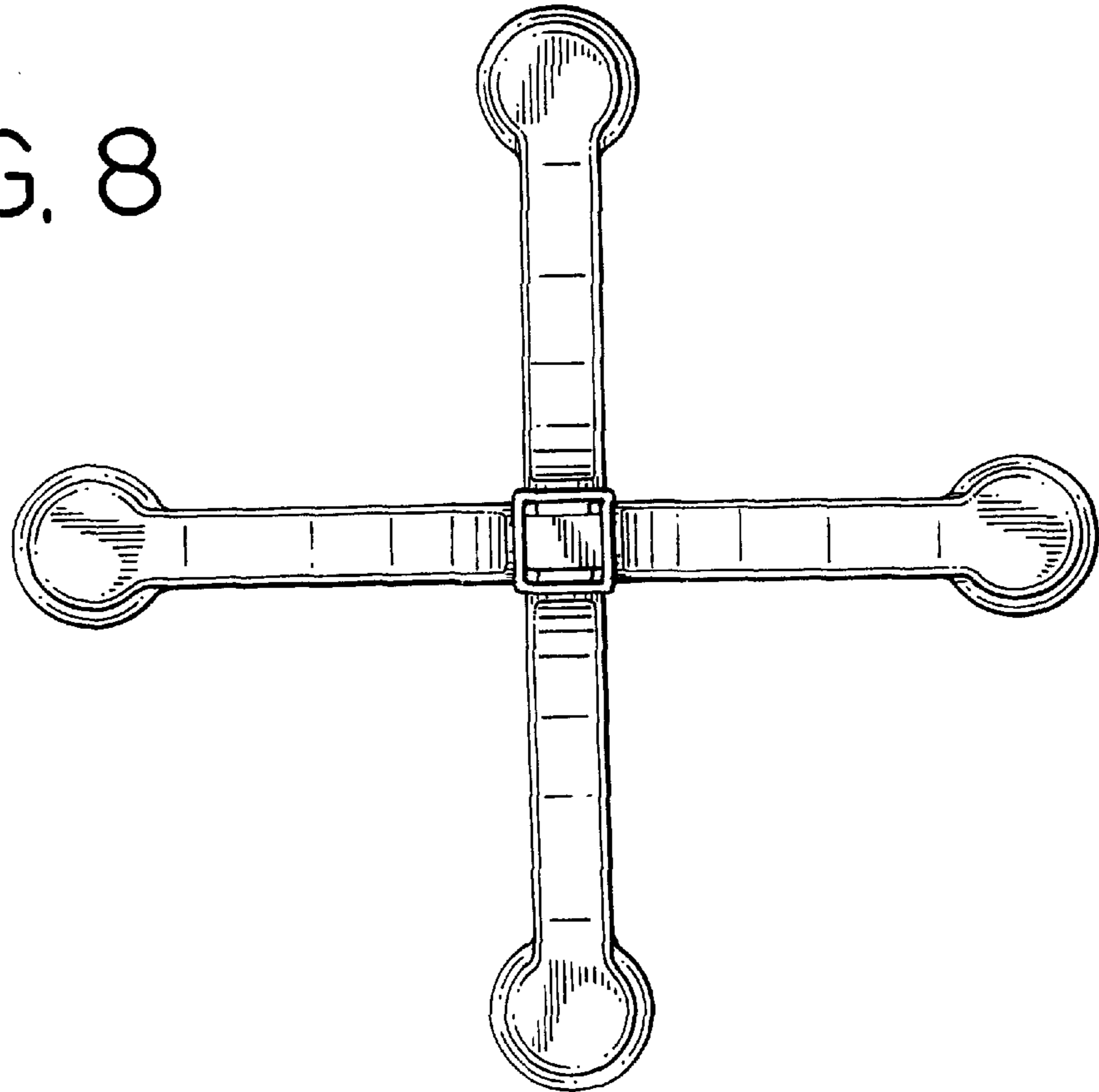


FIG. 9

