



US00D409857S

United States Patent [19] Ward

[11] Patent Number: **Des. 409,857**

[45] Date of Patent: **** May 18, 1999**

[54] **BASE CABINET**

[75] Inventor: **Daniel E. Ward**, Boulder, Colo.

[73] Assignee: **Vector Slot Machine Company, L.L.C.**, Denver, Colo.

[**] Term: **14 Years**

[21] Appl. No.: **29/092,491**

[22] Filed: **Aug. 20, 1998**

Related U.S. Application Data

[62] Division of application No. 29/062,256, Nov. 12, 1996, Pat. No. Des. 399,889.

[51] **LOC (6) Cl.** **06-04**

[52] **U.S. Cl.** **D6/432; D21/370**

[58] **Field of Search** D21/370, 385; D6/432, 436, 438-440, 447-448; 312/194-196, 198, 199, 223.2, 223.3, 223.6, 223.1; 463/46; 273/309, 138.1, 142 R, 143 R; 248/917, 918, 919, 920

[56] References Cited

U.S. PATENT DOCUMENTS

D. 100,664	8/1936	De Vries	D6/425
D. 130,113	12/1941	Bechtol	.	
D. 140,771	11/1945	Meyer	D34/5
D. 207,226	3/1967	Fries et al.	D6/446
D. 284,592	7/1986	Drews et al.	D31/38
D. 286,958	12/1986	Gualtieri	D6/432
D. 307,771	5/1990	Cesaroni et al.	D21/38
D. 340,954	11/1993	Stefan	D21/38
D. 349,133	7/1994	Janssen	D21/38
D. 349,524	8/1994	Brettschneider	D21/38
D. 351,869	10/1994	Rothschild	D21/37

D. 354,637	1/1995	Jarrett	D6/432
D. 376,825	12/1996	Hanscom	D21/37
D. 384,983	10/1997	Chmelicek et al.	D21/370
830,078	9/1906	Kenyon	273/138.1
5,010,995	4/1991	Okada	194/219
5,611,553	3/1997	Schoeman et al.	312/223.6

FOREIGN PATENT DOCUMENTS

3424594	1/1986	Germany	.	
3802600	8/1989	Germany	273/138 R
5-161757	6/1993	Japan	273/309
5-208071	8/1993	Japan	A63F 7/02
5-228255	9/1993	Japan	A63F 7/02
6-23136	1/1994	Japan	A63F 7/02
6-7528	1/1994	Japan	A63F 7/02
6-23132	2/1994	Japan	A63F 7/02
6-47163	2/1994	Japan	A63F 7/02
PCT/JP92/10705	7/1993	WIPO	A63F 5/04

Primary Examiner—Doris V. Coles
Assistant Examiner—Linda Brooks
Attorney, Agent, or Firm—Fields and Johnson, P.C.

[57] CLAIM

The ornamental design for a base cabinet, as shown and described.

DESCRIPTION

FIG. 1 is a perspective view of the base cabinet of this invention;
FIG. 2 is a right side elevation of FIG. 1, the left side elevation being a mirror image;
FIG. 3 is a front elevation of FIG. 1;
FIG. 4 is a top view of FIG. 1;
FIG. 5 is a bottom view of FIG. 1; and,
FIG. 6 is a rear elevation of FIG. 1.

1 Claim, 3 Drawing Sheets

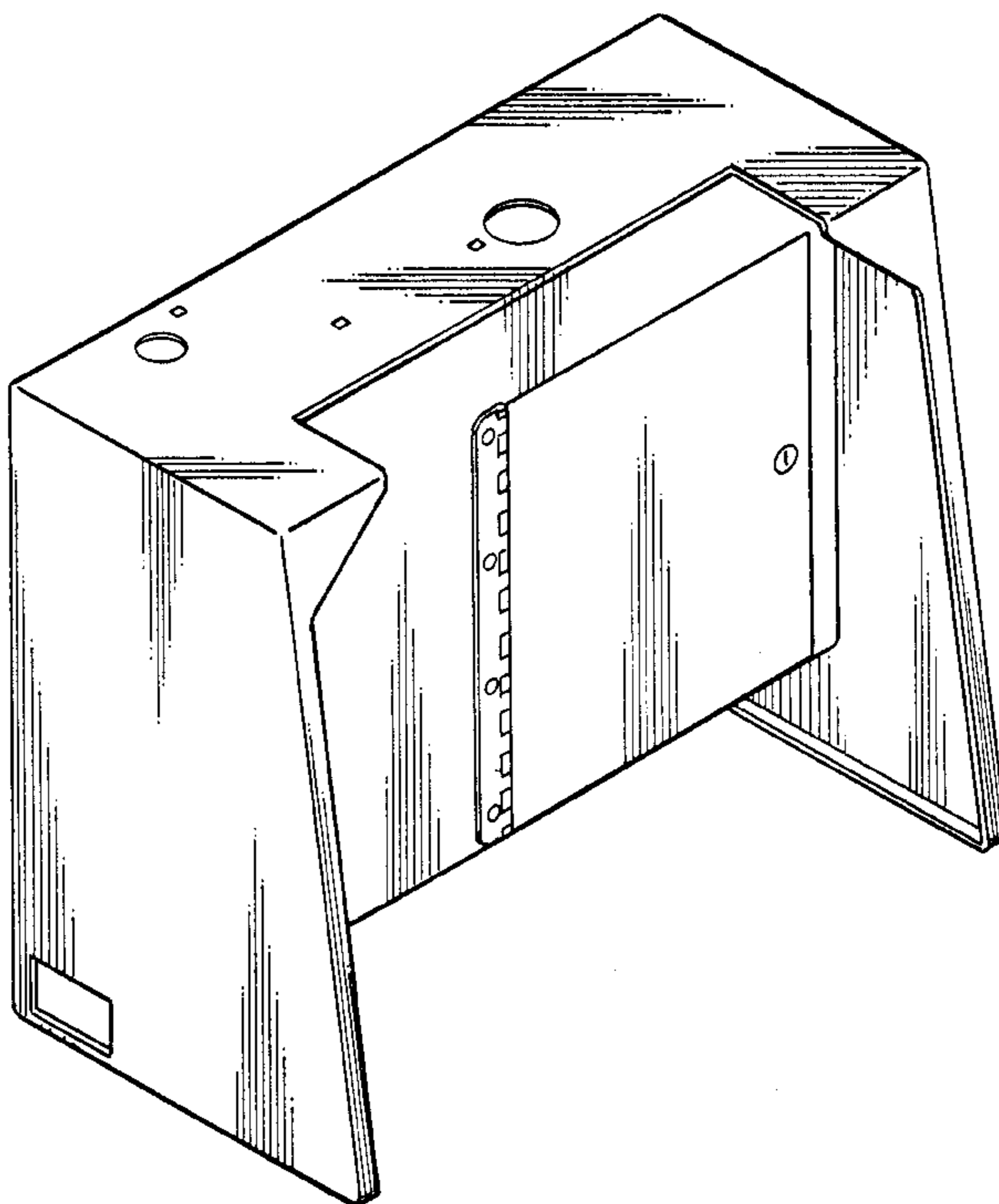


Fig. 1

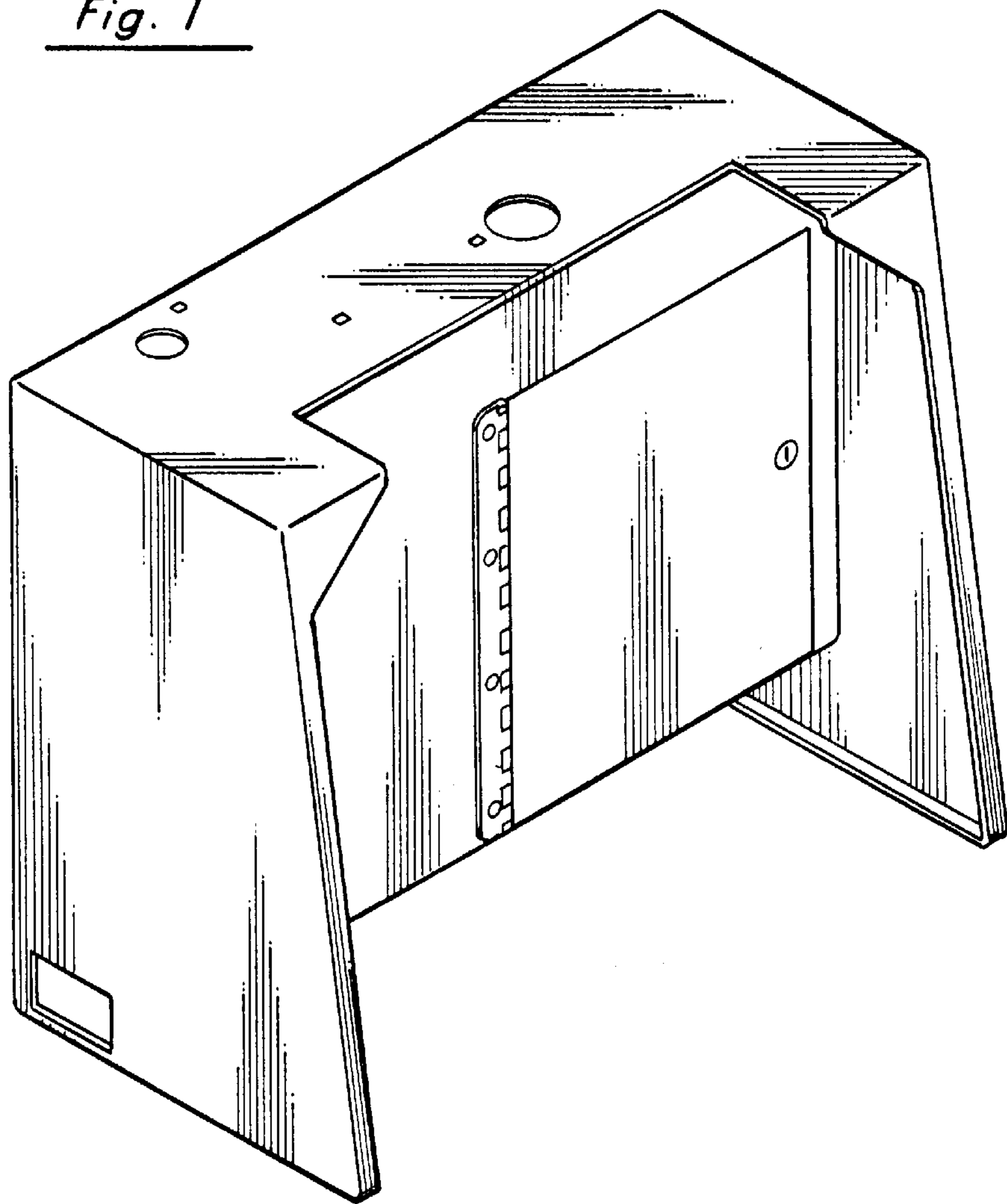


Fig. 2

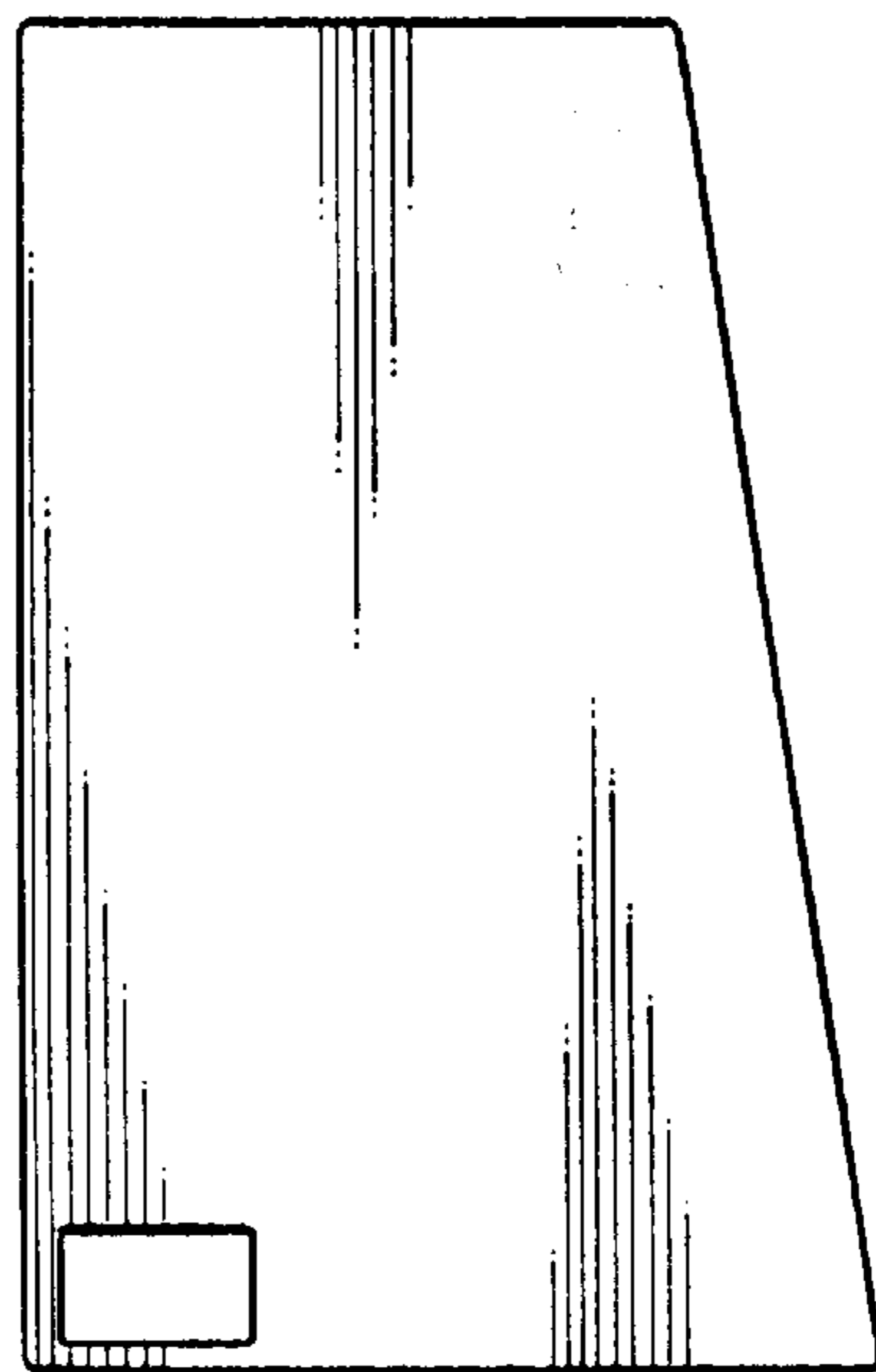


Fig. 4

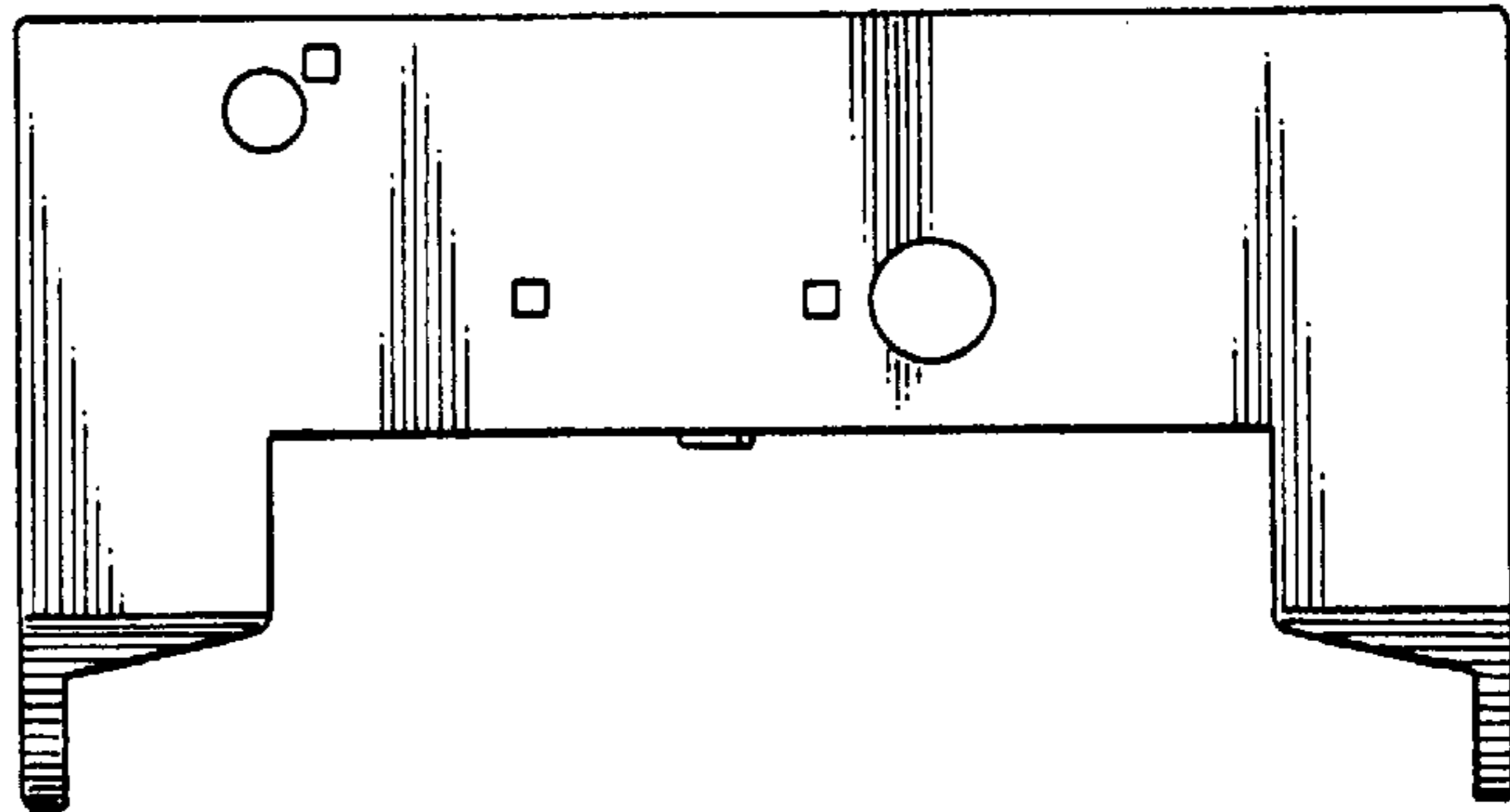


Fig. 3

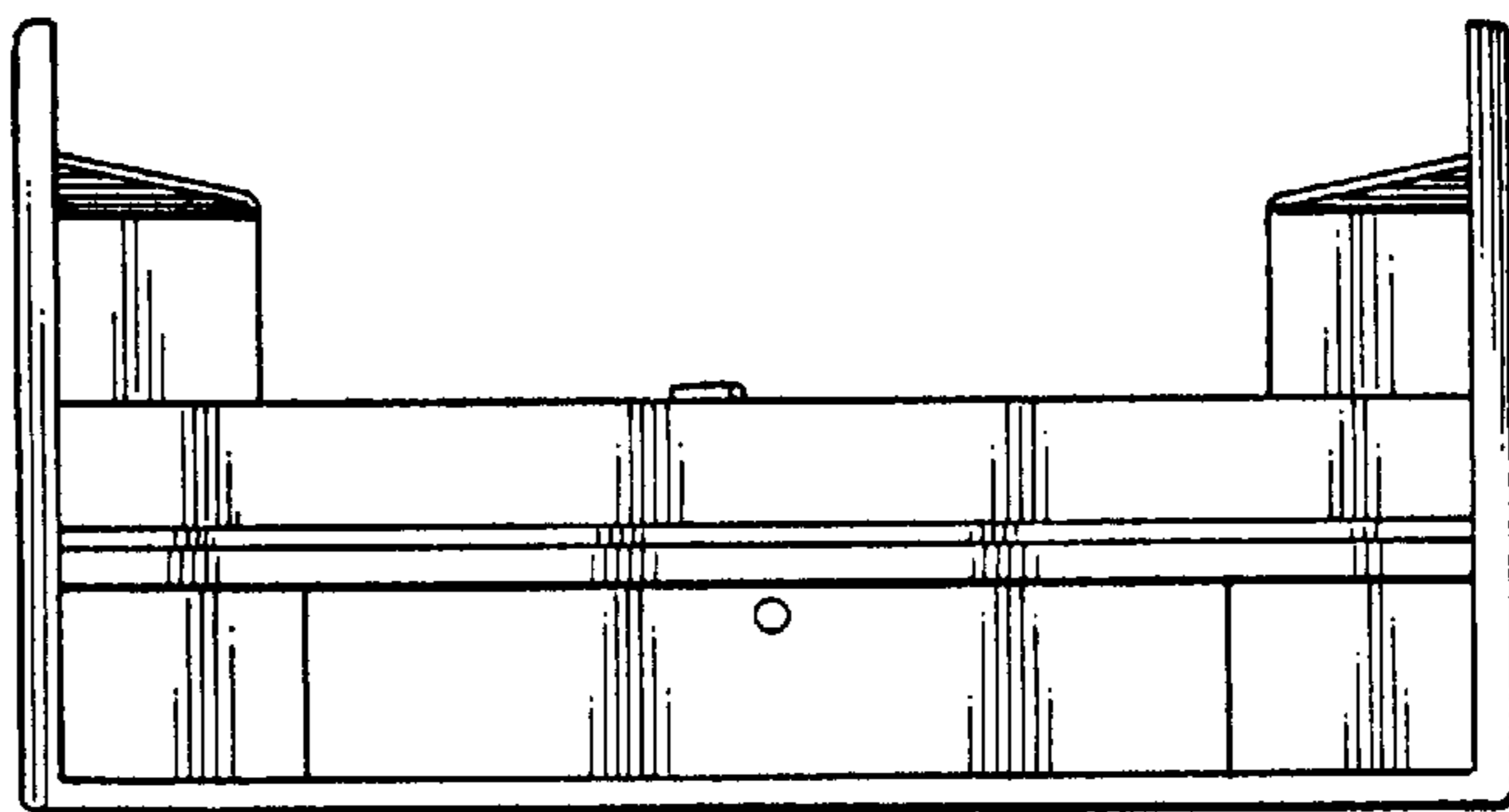
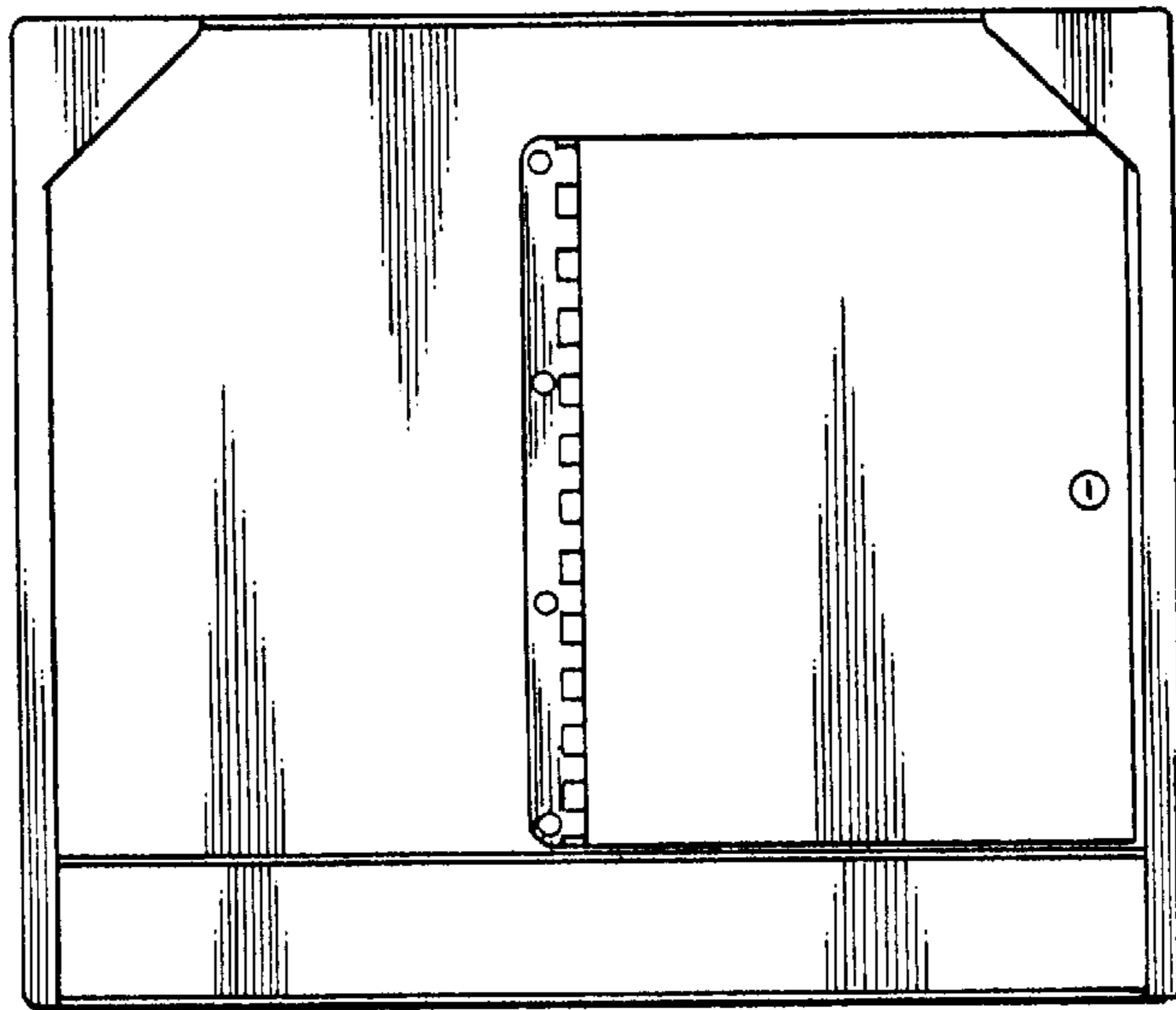


Fig. 5

Fig. 6

