



US00D409856S

United States Patent [19]

[11] Patent Number: Des. 409,856

Rice, Jr.

[45] Date of Patent: ** May 18, 1999

[54] **PODIUM**

[76] Inventor: **Richard Lee Rice, Jr.**, 27 W. 71st St.-Apr. 4A, New York, N.Y. 10023

[**] Term: **14 Years**

[21] Appl. No.: **29/084,256**

[22] Filed: **Feb. 27, 1998**

[51] **LOC (6) Cl.** **06-04**

[52] **U.S. Cl.** **D6/430; D6/430**

[58] **Field of Search** D6/419-428, 429-431; 248/441.1, 448, 449, 454, 455; 312/204, 205

[56] **References Cited**

U.S. PATENT DOCUMENTS

D. 26,332	11/1896	Pringle	D6/430
D. 89,053	1/1933	Mithcell et al.	D6/419
D. 176,459	12/1955	Groves	D6/419
D. 182,926	5/1958	Roeder	D6/430 X
D. 289,474	4/1987	Underwood et al.	D6/420
D. 291,162	8/1987	Kwieconski	D6/430
D. 291,163	8/1987	Kwiecinski	D6/430
D. 296,275	6/1988	Fisher et al.	D6/419
D. 305,838	2/1990	Bienstock	D6/420
D. 381,529	7/1997	Ugalde	D6/430 X
4,576,424	3/1986	Nelson	312/231

Primary Examiner—Carmen H. Vales-Lado
Attorney, Agent, or Firm—Schnader Harrison Segal & Lewis, LLP

[57] **CLAIM**

The ornamental design for a podium, as shown and described.

DESCRIPTION

FIG. 1 is a right rear perspective view of a podium showing my new design;

FIG. 2 is a left front perspective view thereof;

FIG. 3 is a right front perspective view with the top lid in open position, the broken line showing of the lid in folding position is for illustrative purposes only;

FIG. 4 is a perspective view of FIG. 3 with the front lid in open position and broken lines removed.

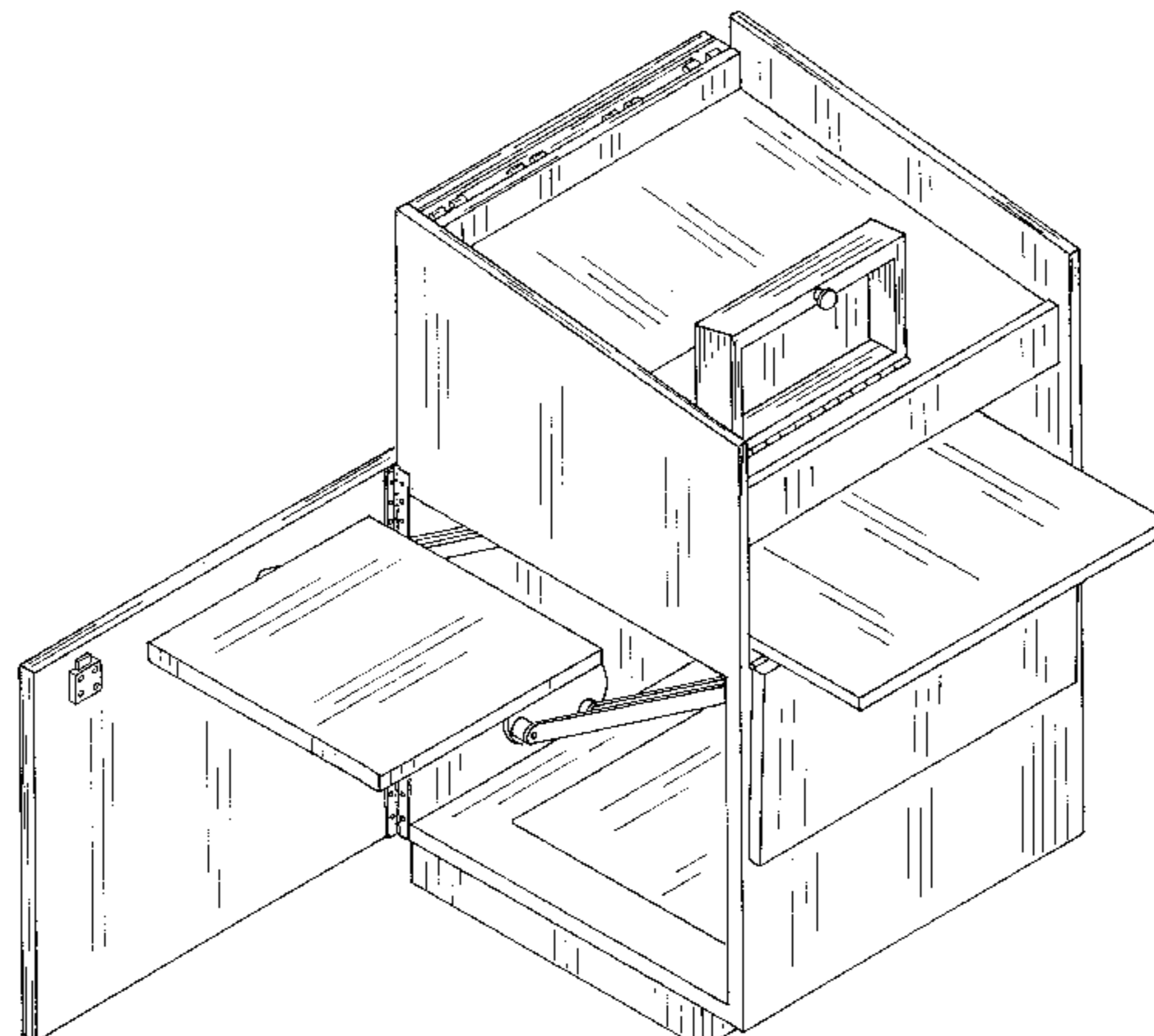
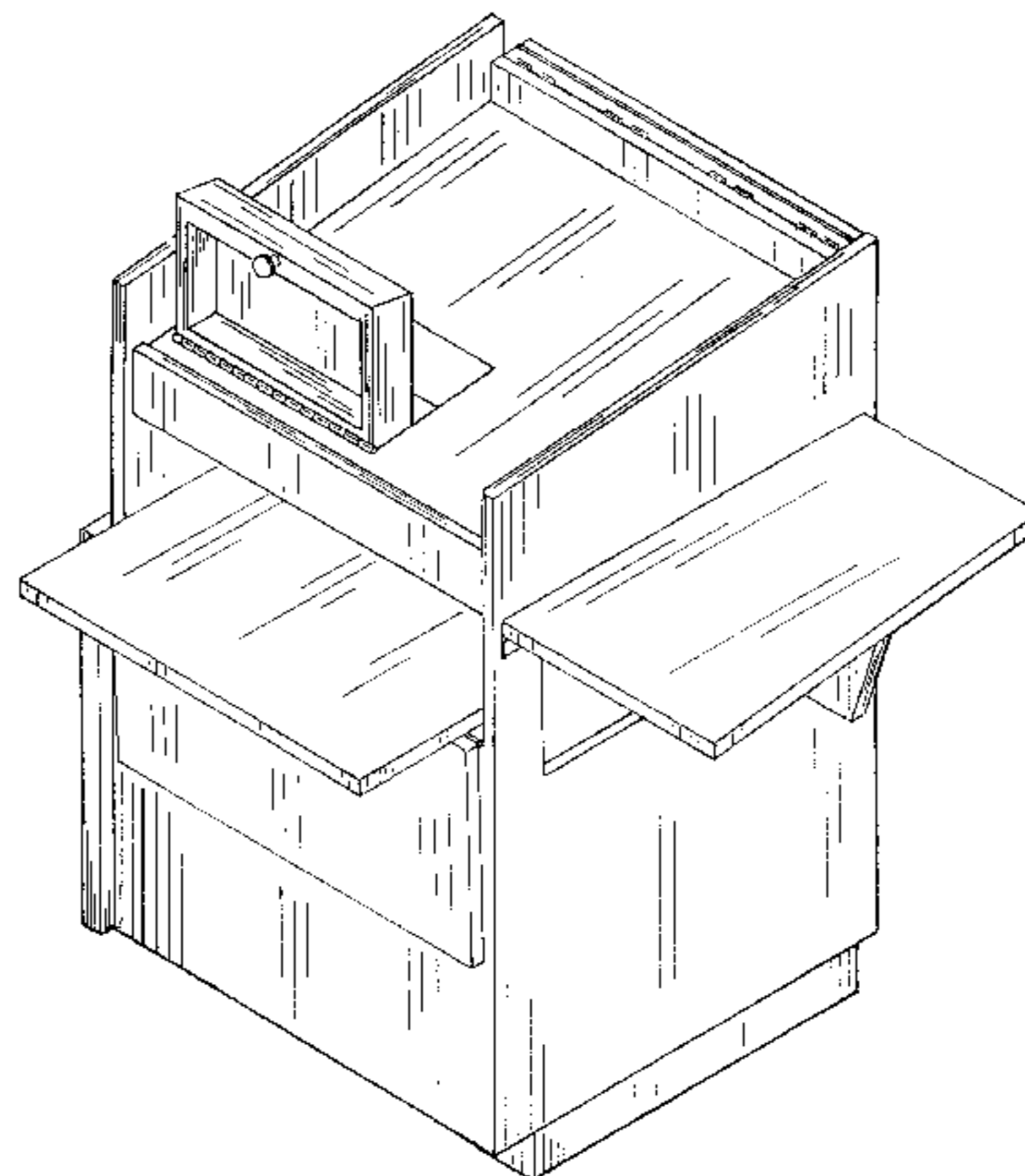
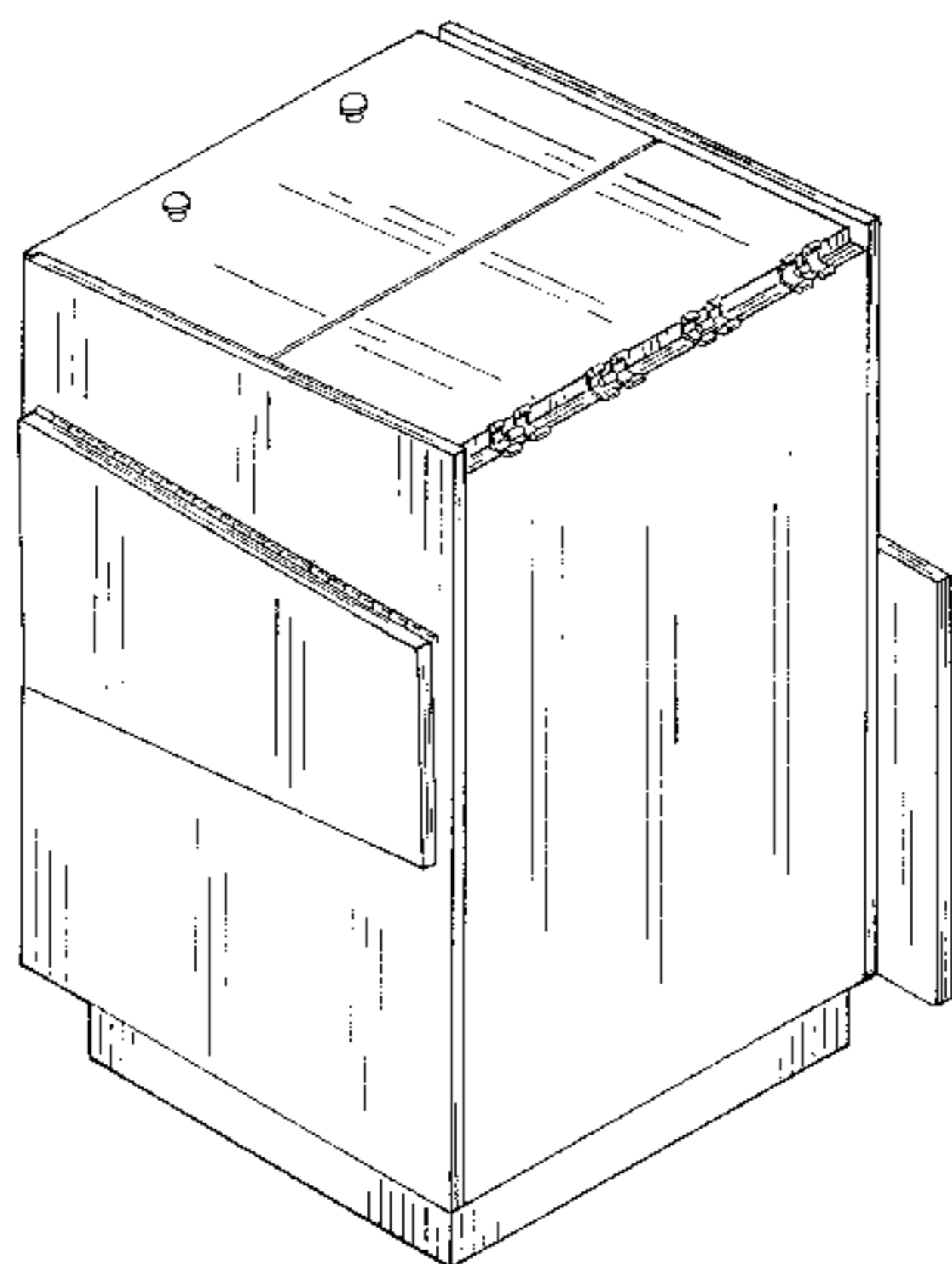
FIG. 5 is a perspective view of FIG. 4 with the front shelf extended;

FIG. 6 is a perspective view of FIG. 5 with the right side shelf extended;

FIG. 7 is a perspective view of FIG. 6 with the top recessed member extended; and,

FIG. 8 is a left front perspective view of FIG. 7 with the left door open and the interior shelf extended.

1 Claim, 5 Drawing Sheets



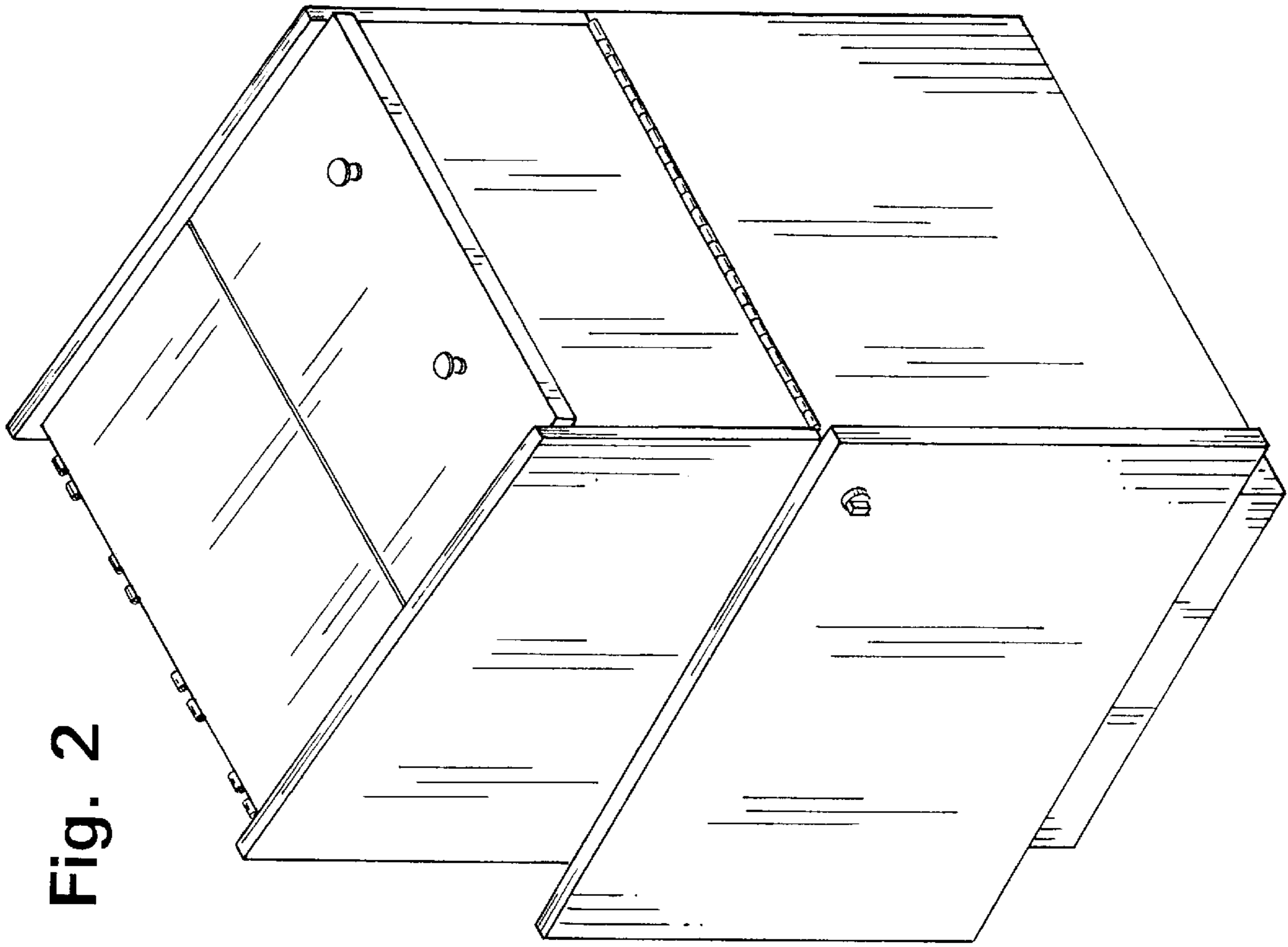


Fig. 2

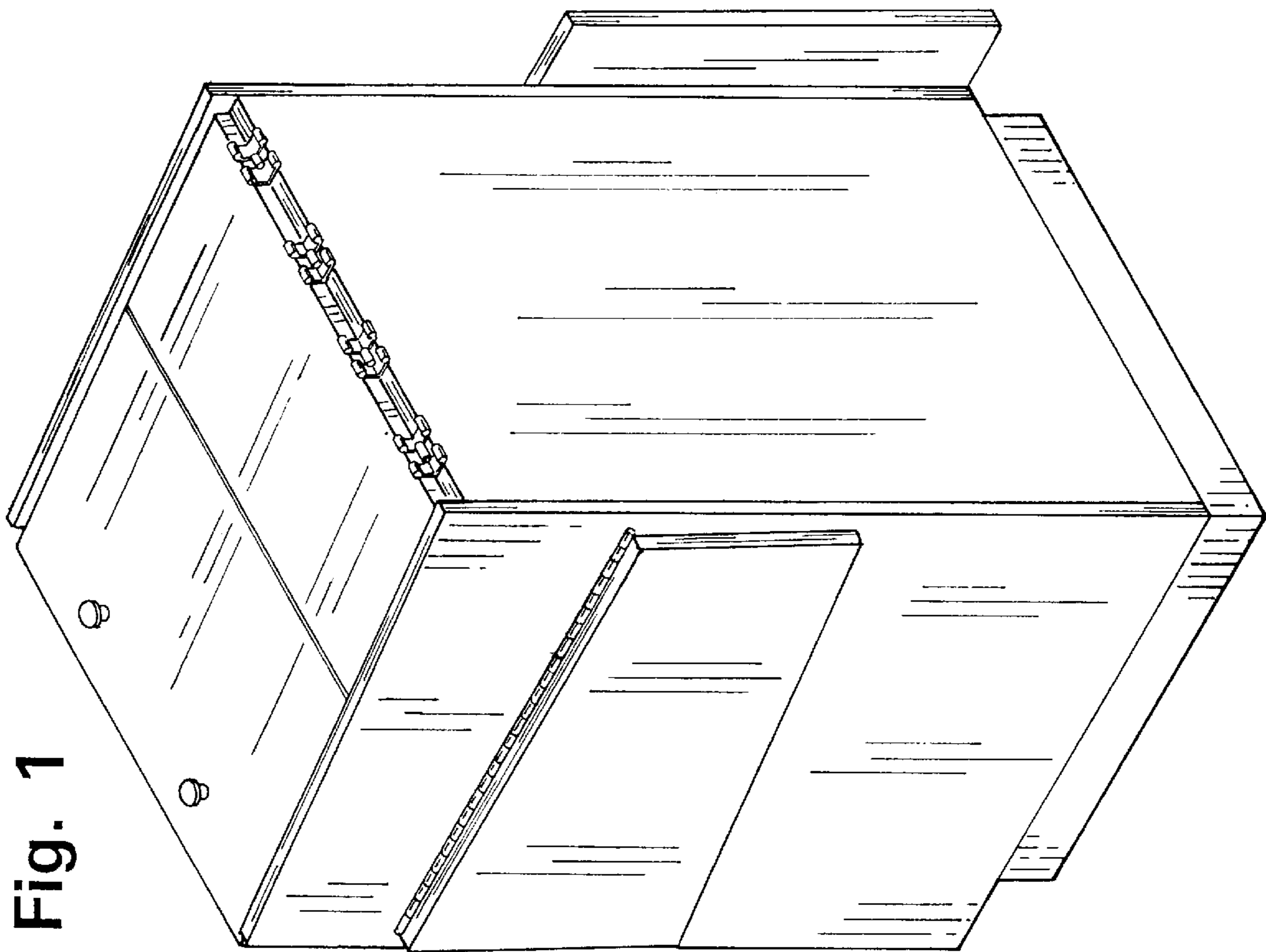


Fig. 1

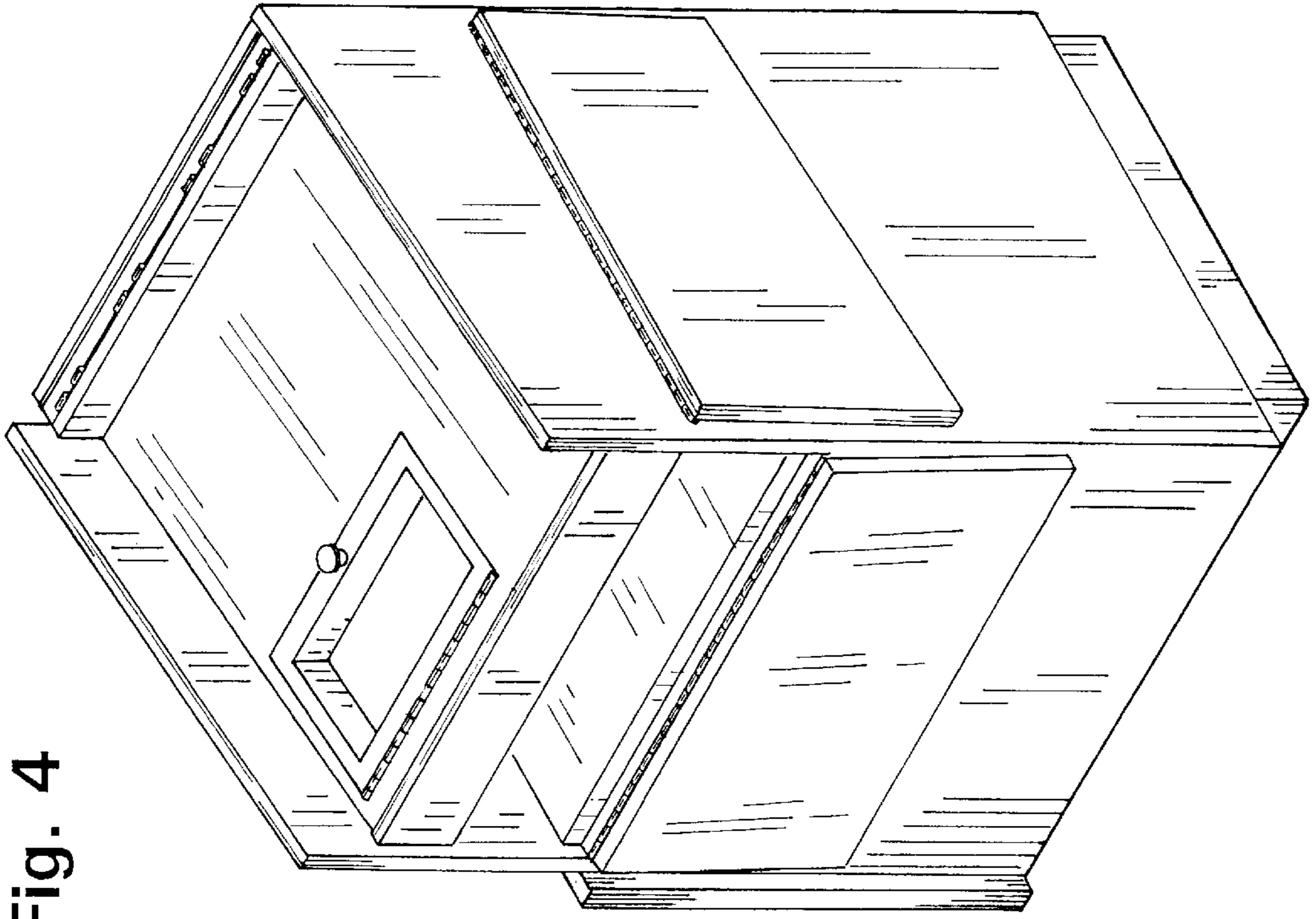


Fig. 4

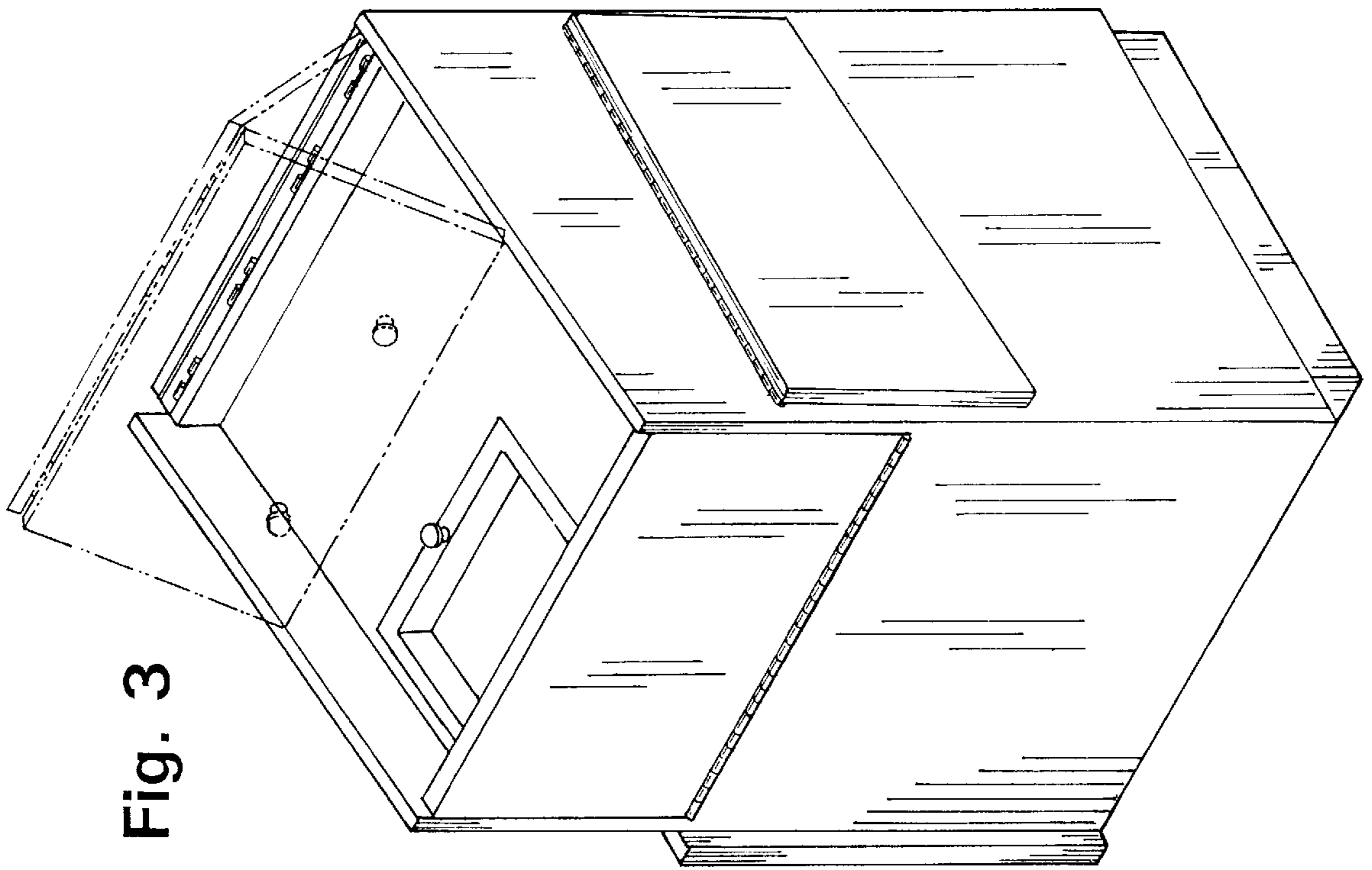


Fig. 3

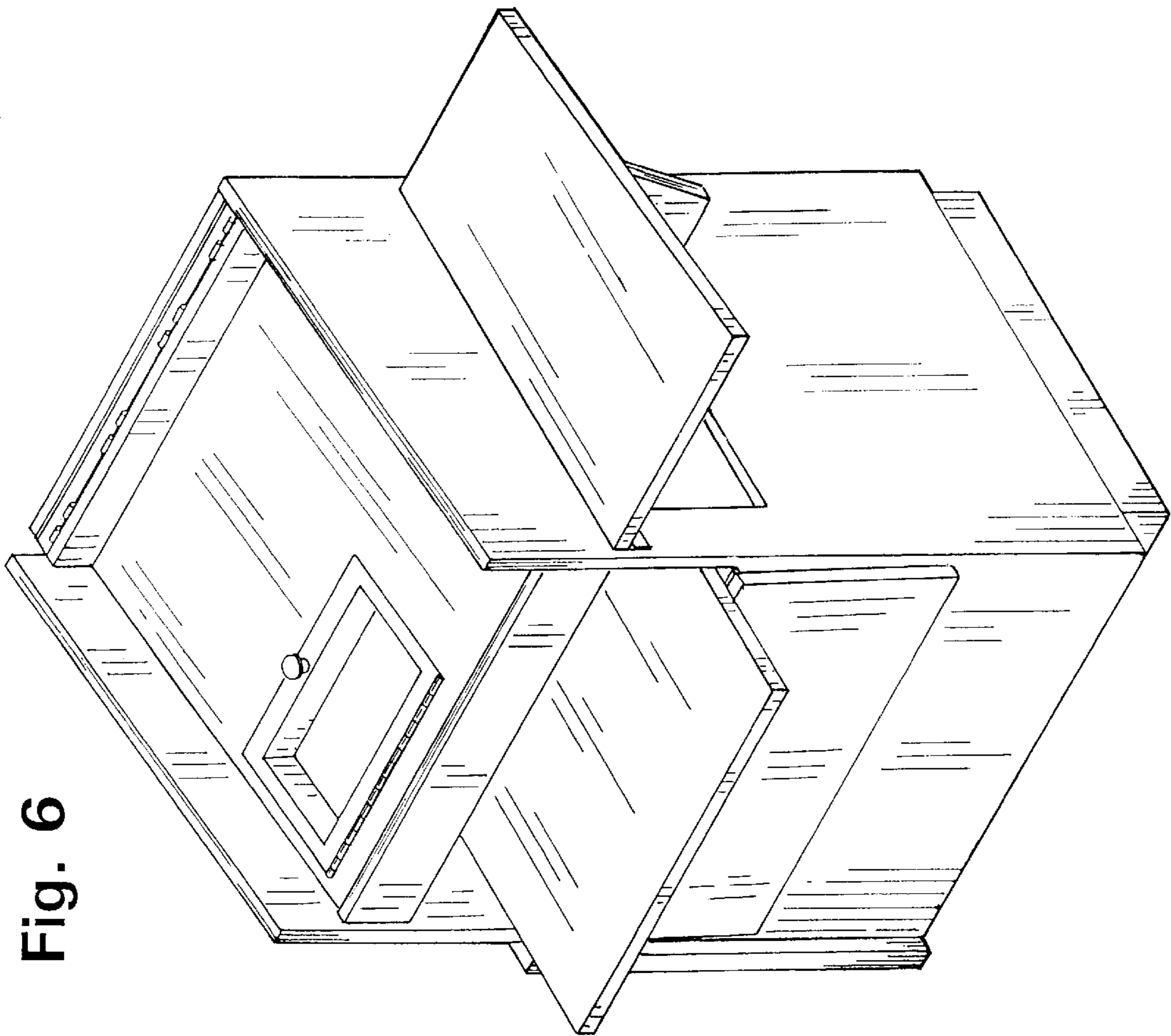


Fig. 6

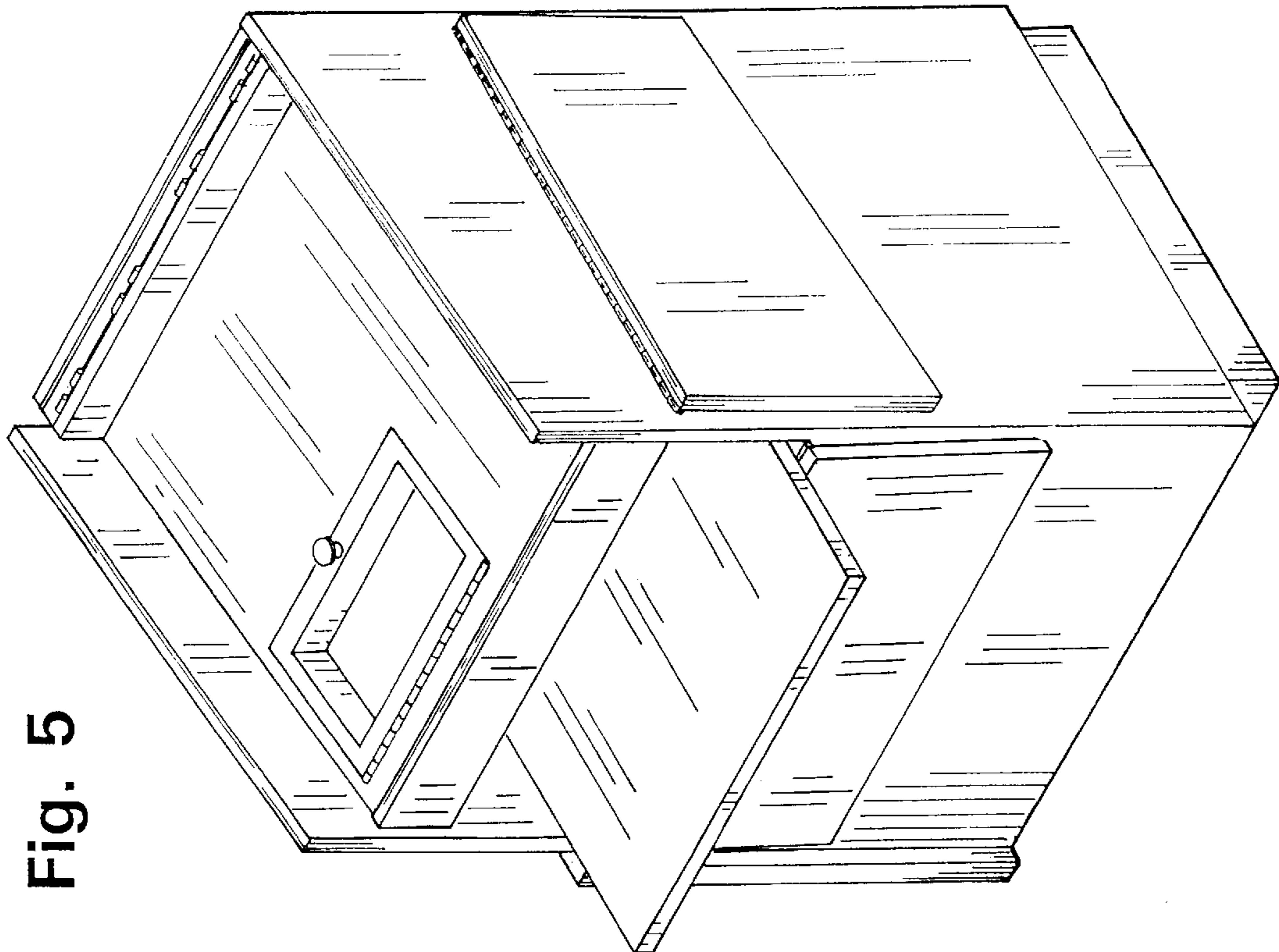
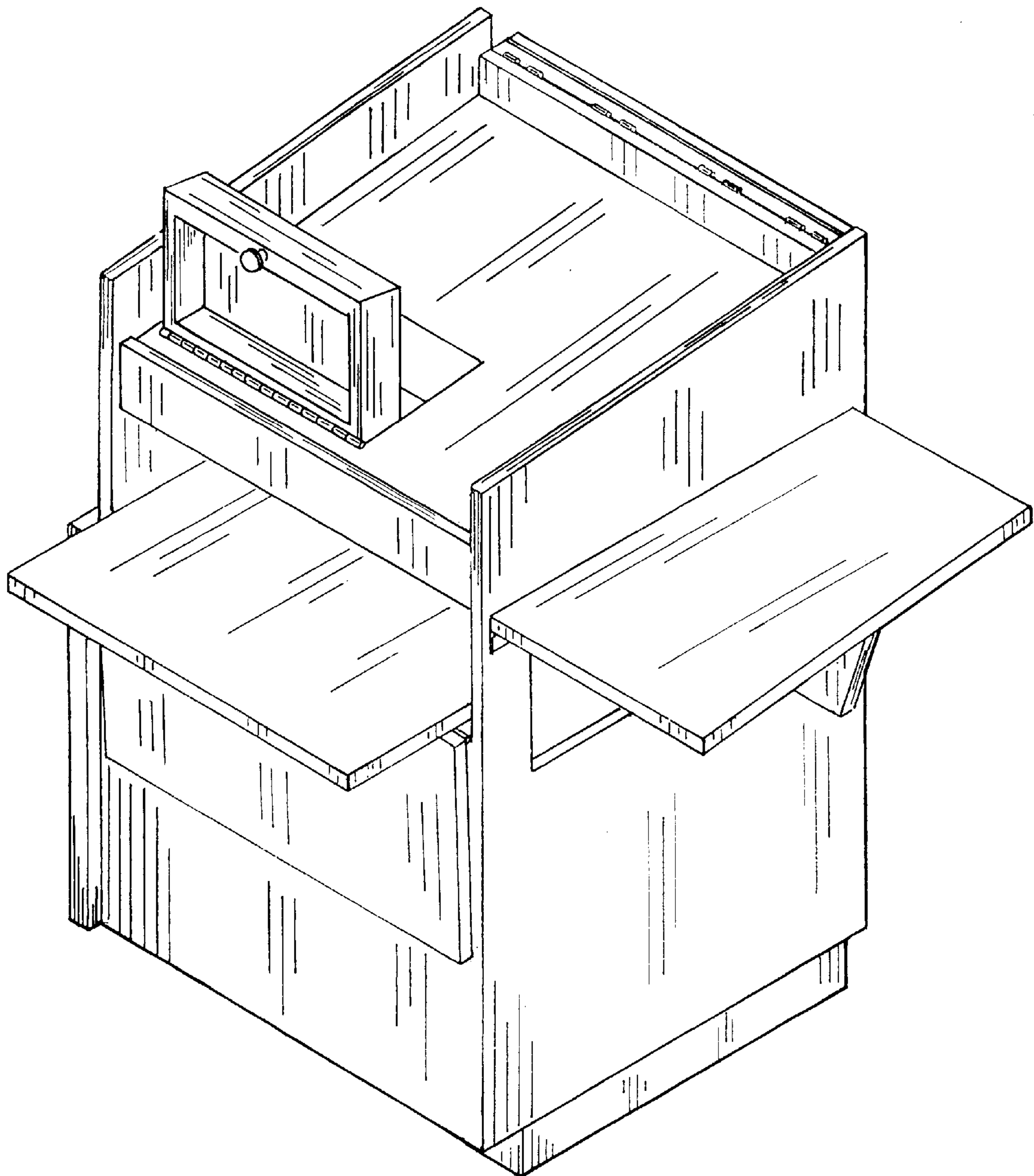


Fig. 5

Fig. 7



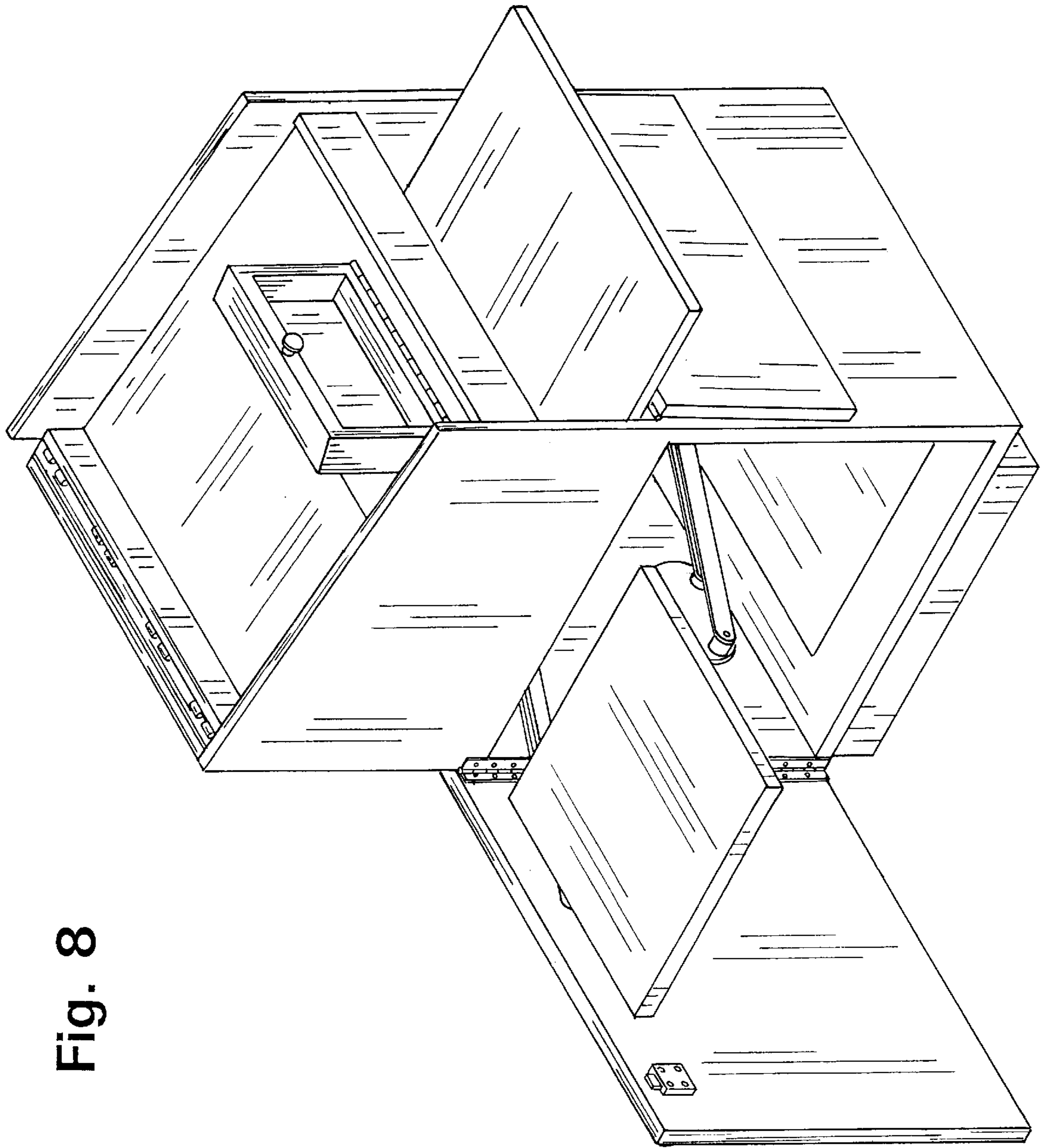


Fig. 8