



US00D409849S

United States Patent [19] Tseng

[11] **Patent Number: Des. 409,849**

[45] **Date of Patent: ** May 18, 1999**

[54] **LAWN CHAIR**

OTHER PUBLICATIONS

[75] Inventor: **Chuen-Jong Tseng**, Chiayi Hsien, Taiwan

Lyon-Shaw, p. 5, Bar Stool #25914 at top right, ©1991.

[73] Assignee: **Shin Yen Enterprise Co., Ltd.**, Chiayi-Hsien, Taiwan

Primary Examiner—Gary D. Watson
Attorney, Agent, or Firm—Skjerven, Morrill, MacPherson, Franklin & Friel LLP; Alan MacPherson

[**] Term: **14 Years**

[57] CLAIM

[21] Appl. No.: **29/086,655**

The ornamental design for a lawn chair, as shown and described.

[22] Filed: **Apr. 16, 1998**

DESCRIPTION

[51] **LOC (6) Cl.** **06-01**

FIG. 1 is a perspective view of lawn chair showing my new design;

[52] **U.S. Cl.** **D6/360; D6/376**

FIG. 2 is a front elevational view thereof;

[58] **Field of Search** D6/334, 335, 360, D6/374, 375, 376, 379, 500, 501, 502; 297/423.19, 423.25, 445.1, 446.1, 452.63

FIG. 3 is a rear elevational view thereof;

FIG. 4 is a left side elevational view thereof;

FIG. 5 is a right side elevational view thereof;

FIG. 6 is a top plan view thereof; and,

FIG. 7 is a bottom plan view thereof.

FIGS. 2 through 7 have been shown on a reduced scale with respect to FIG. 1.

[56] References Cited

U.S. PATENT DOCUMENTS

D. 286,828	11/1986	Arthur, Jr.	D6/376
D. 335,586	5/1993	Hess	D6/376
D. 357,820	5/1995	Minchey et al.	D6/376

1 Claim, 4 Drawing Sheets



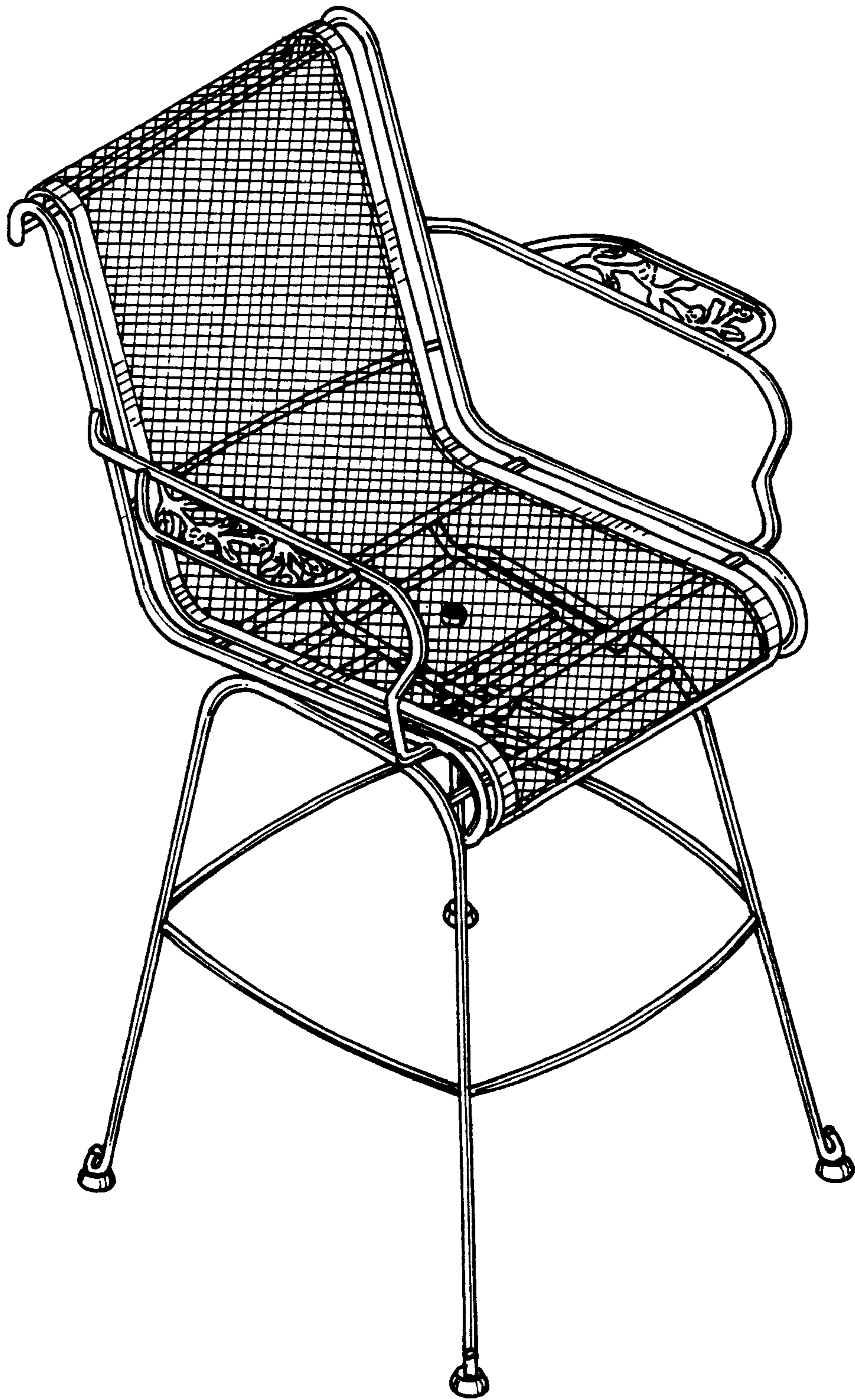


FIG. 1

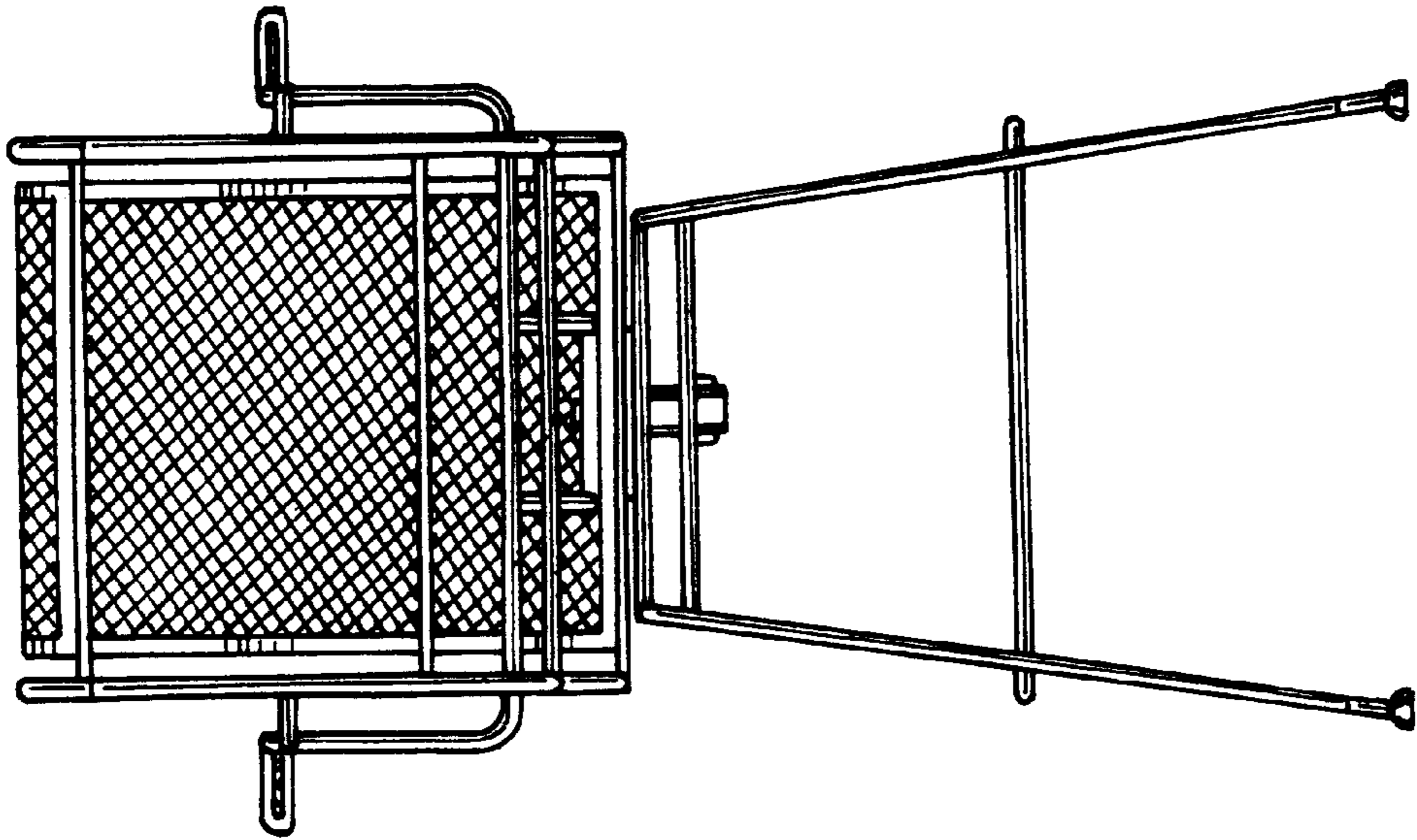


FIG. 3

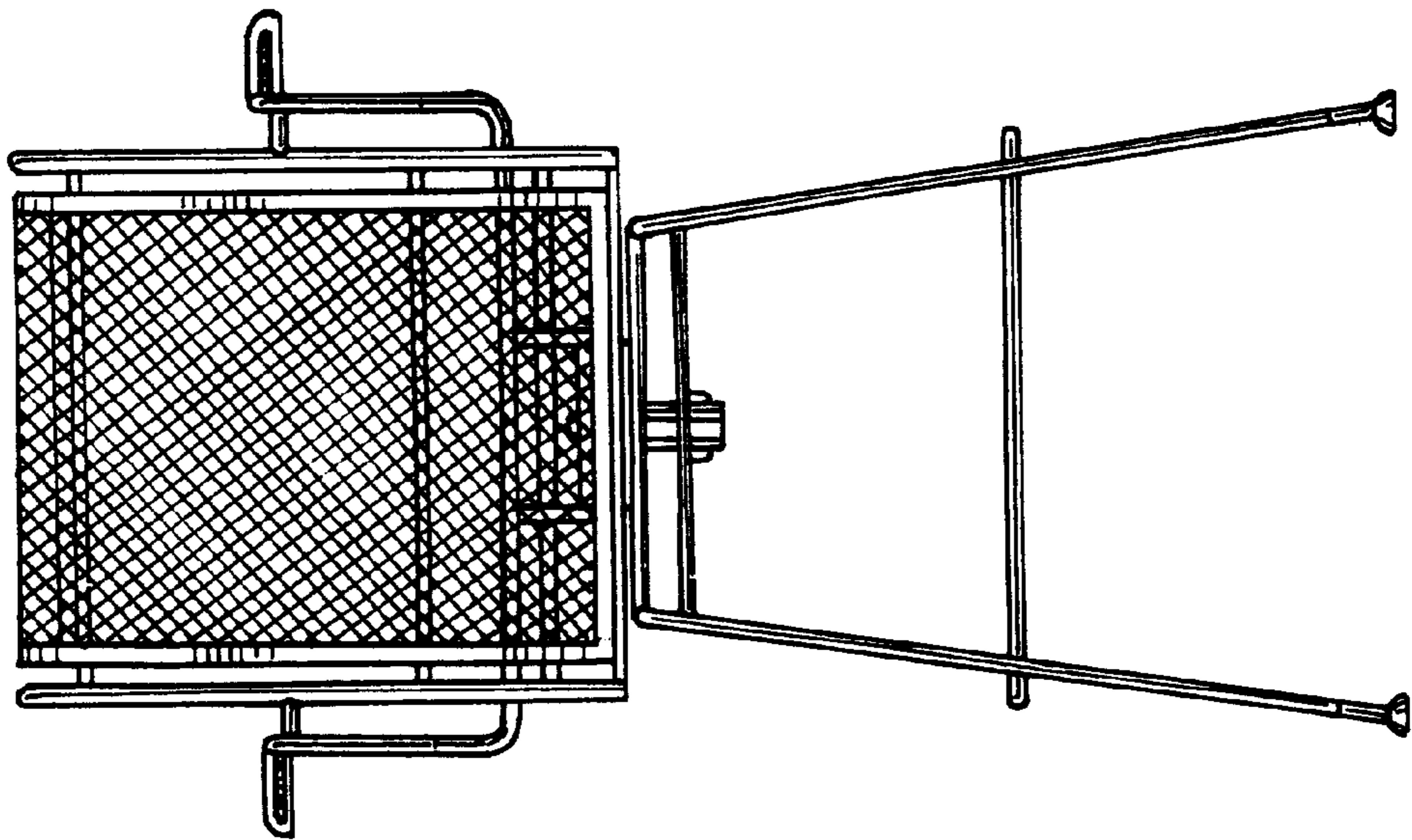


FIG. 2

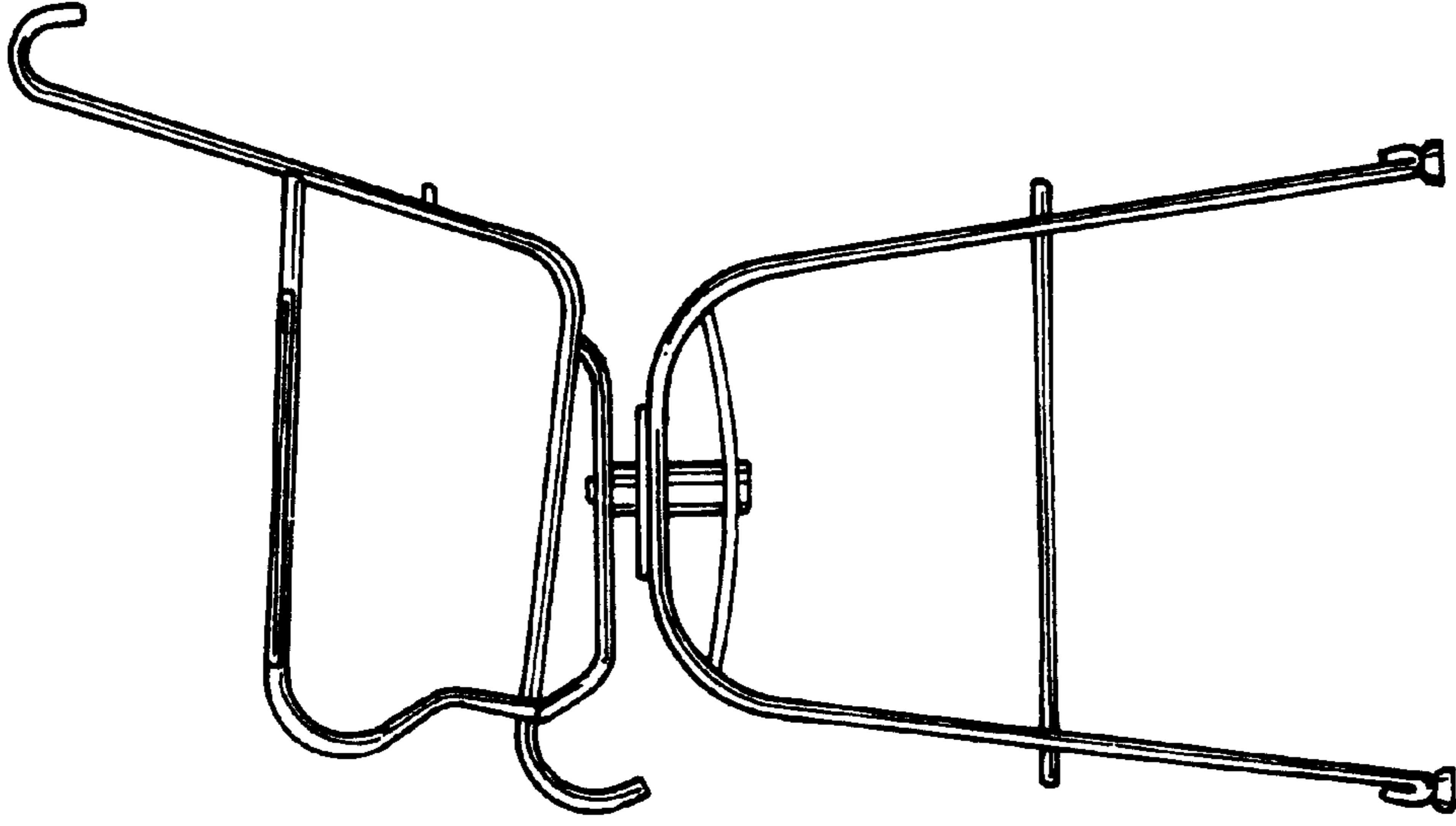


FIG. 5

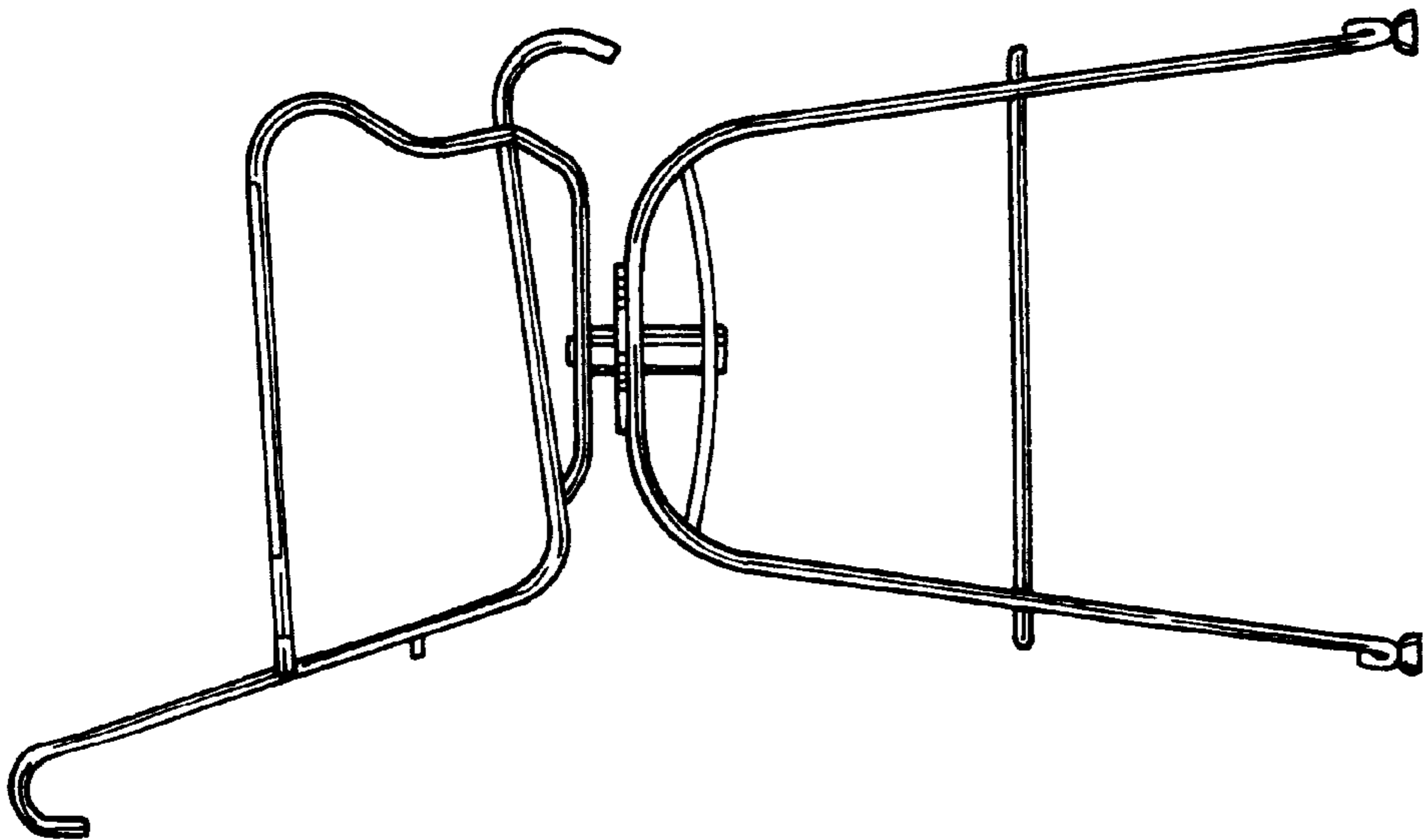


FIG. 4

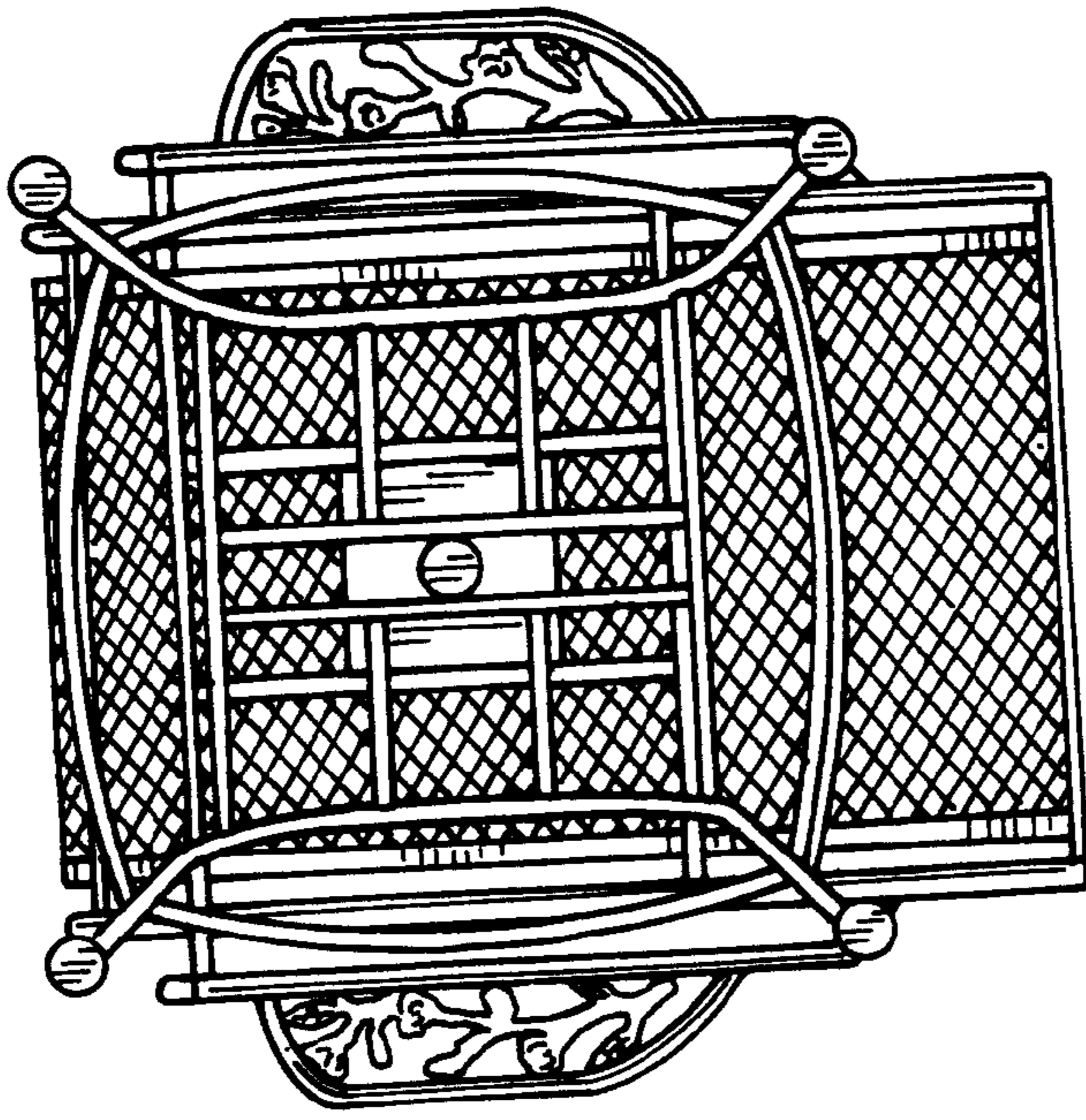


FIG. 7

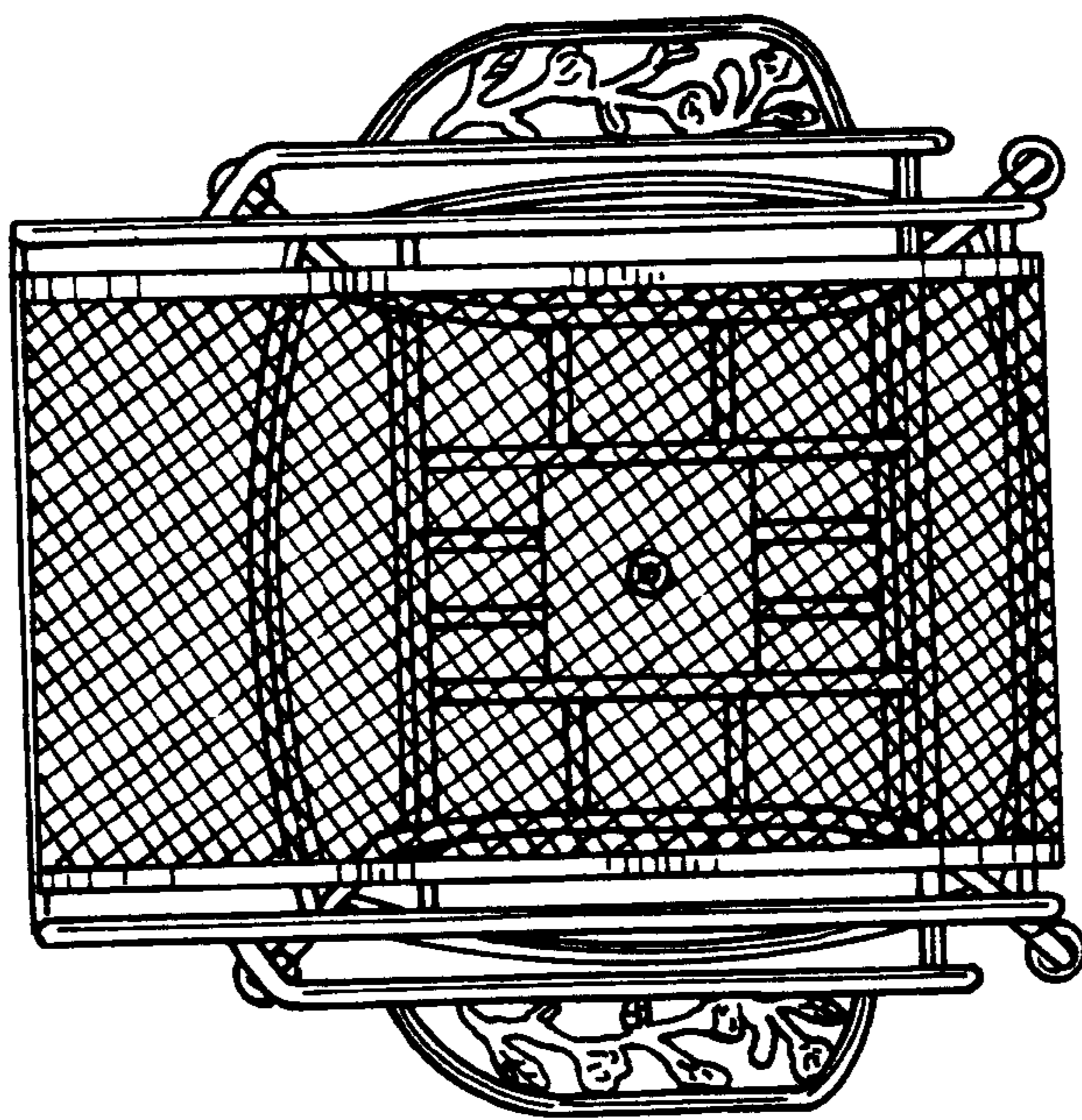


FIG. 6