



US00D409847S

# United States Patent [19] Augspurger

[11] Patent Number: **Des. 409,847**

[45] Date of Patent: **\*\* May 18, 1999**

[54] **SLIDE-OUT TIERACK**

3,954,182 5/1976 McEvers ..... 211/94.01  
4,771,899 9/1988 Benedict et al. .... 211/94.01

[76] Inventor: **Diana Cooper Augspurger**, 91 Kinsey Ave., Kenmore, N.Y. 14217

*Primary Examiner*—B. J. Bullock

[\*\*] Term: **14 Years**

[57] **CLAIM**

[21] Appl. No.: **29/079,246**

The ornamental design for a slide-out tierack, as shown and described.

[22] Filed: **Nov. 10, 1997**

### DESCRIPTION

[51] **LOC (6) Cl.** ..... **06-08**

[52] **U.S. Cl.** ..... **D6/324; D6/315**

[58] **Field of Search** ..... D6/315, 322, 323,  
D6/324; 211/94.01, 162, 113

FIG. 1 is a top perspective view of a slide-out tierack, the broken lines being for illustrative purposes only and forming no part of the claimed design;

FIG. 2 is a bottom perspective view thereof;

FIG. 3 is a top view thereof;

FIG. 4 is a bottom view thereof;

FIG. 5 is a side view thereof, the side opposite being a mirror image;

FIG. 6 is a rear view thereof; and,

FIG. 7 is a front view thereof.

### [56] **References Cited**

#### U.S. PATENT DOCUMENTS

D. 288,035	2/1987	Hollinger et al. ....	D6/324
D. 301,524	6/1989	Trafford .....	D6/324
D. 321,094	10/1991	Greenhut et al. ....	D6/324
2,985,311	5/1961	Abel .	
3,789,994	2/1974	Koutnik .....	211/162

**1 Claim, 2 Drawing Sheets**

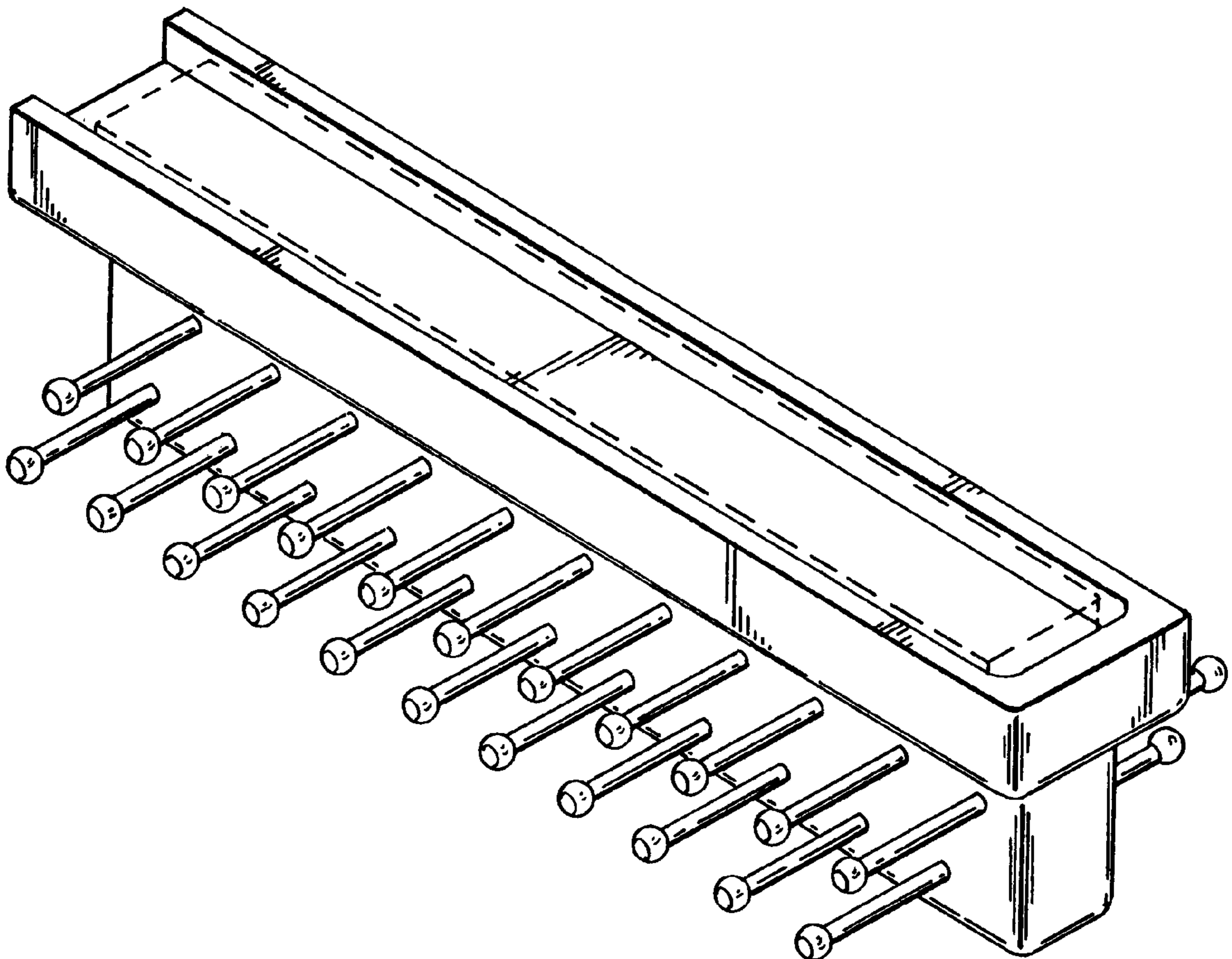


FIG. 1

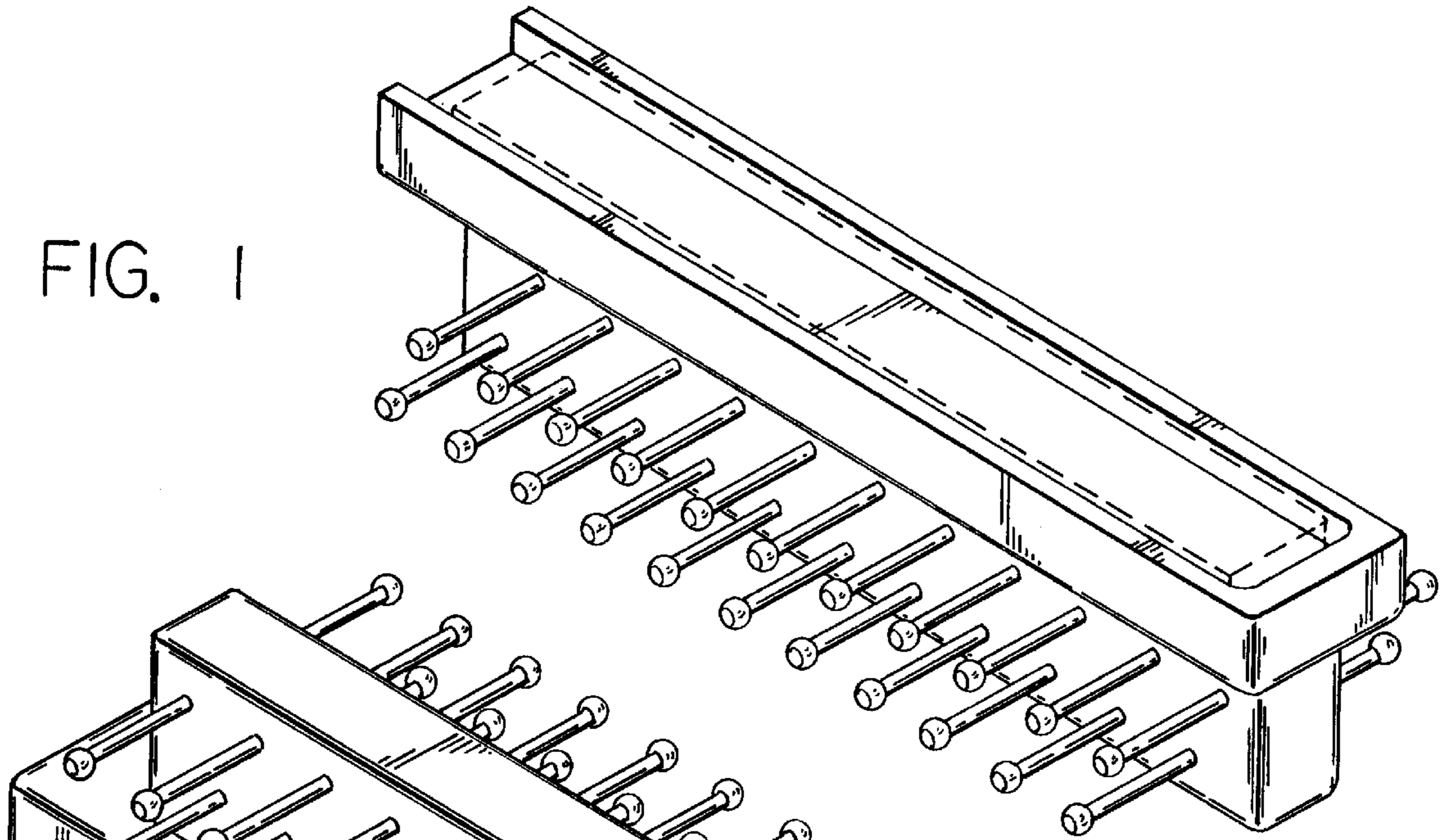


FIG. 2

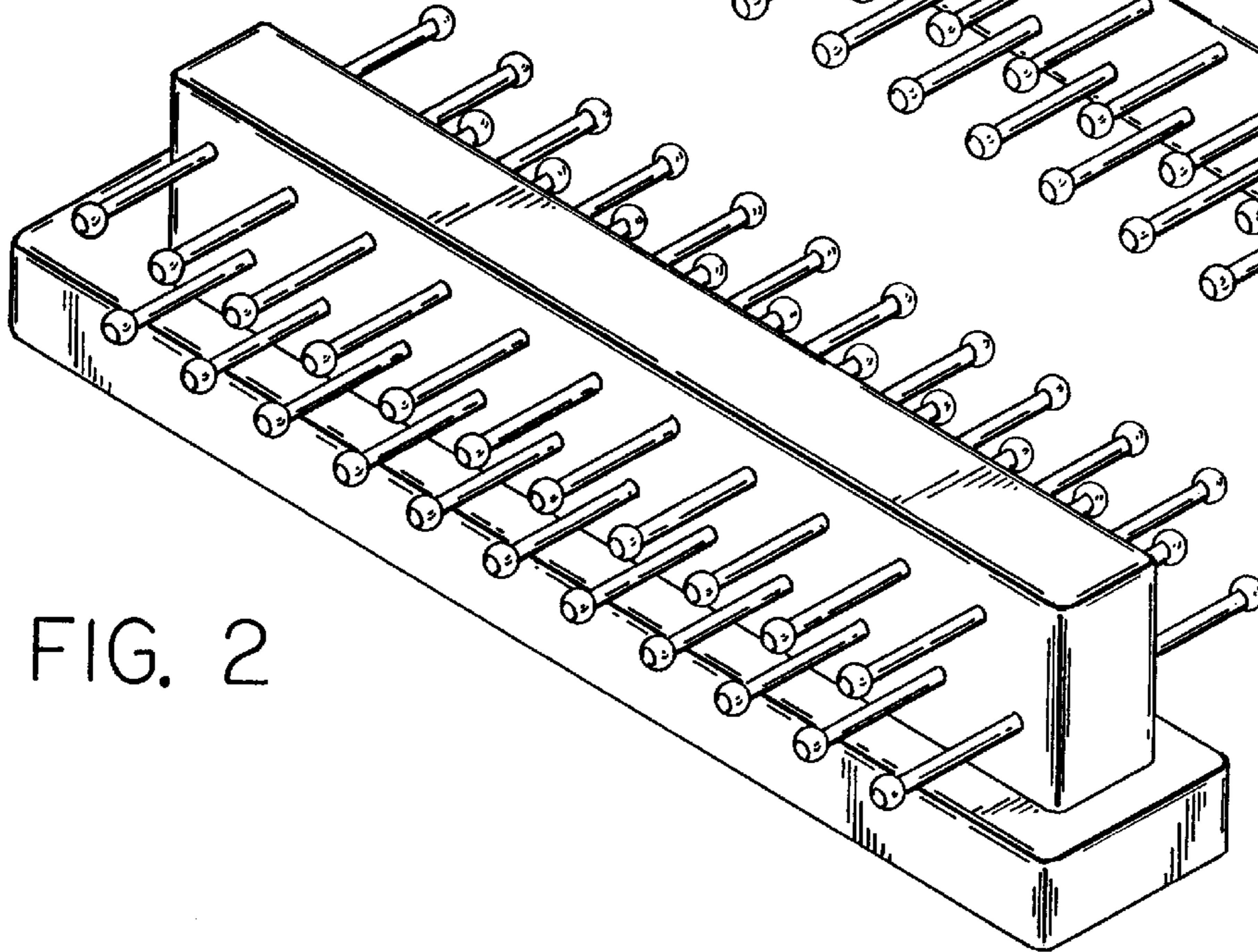


FIG. 3

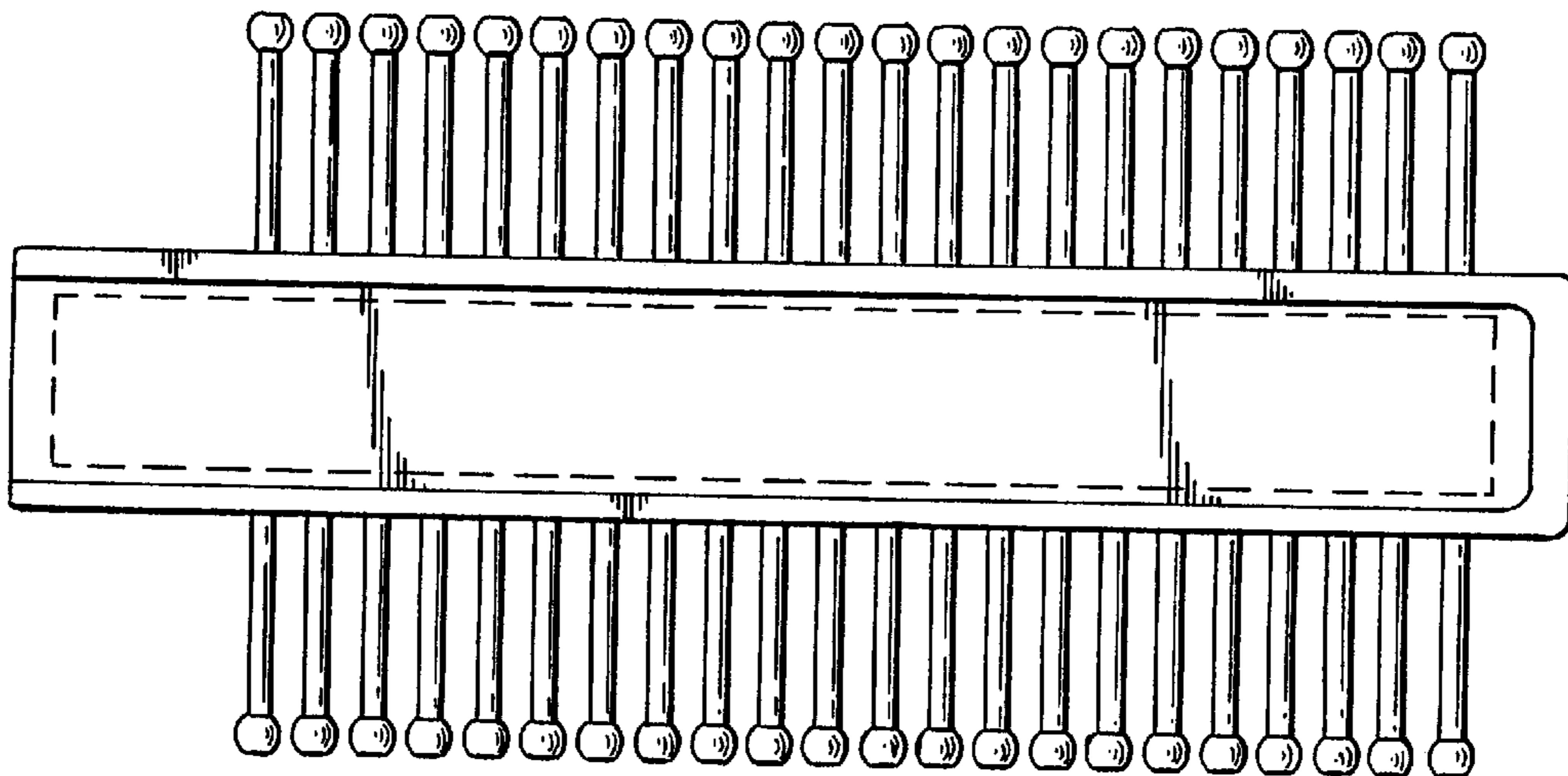


FIG. 4

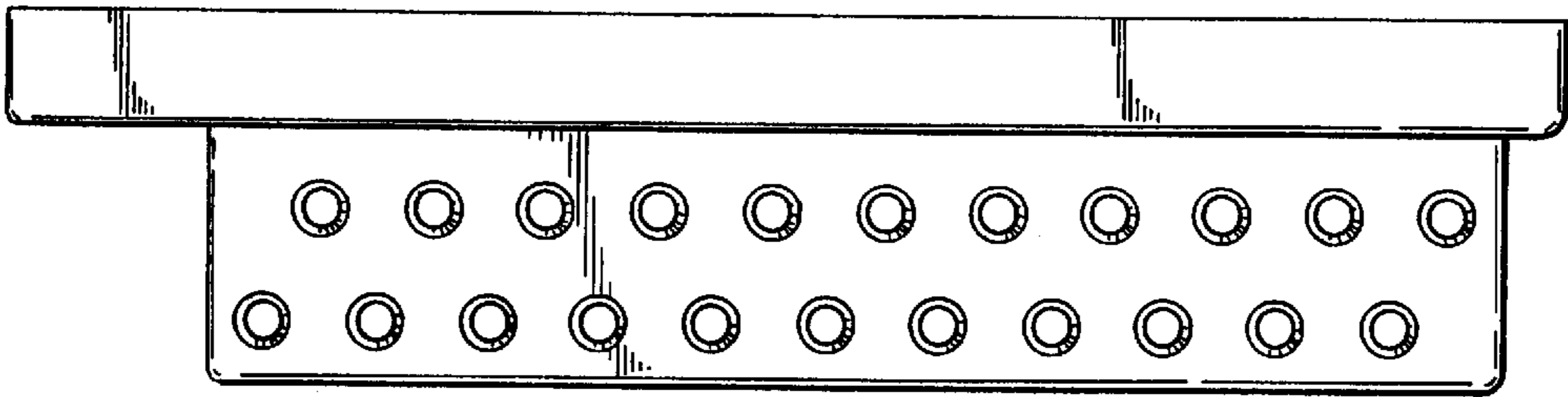
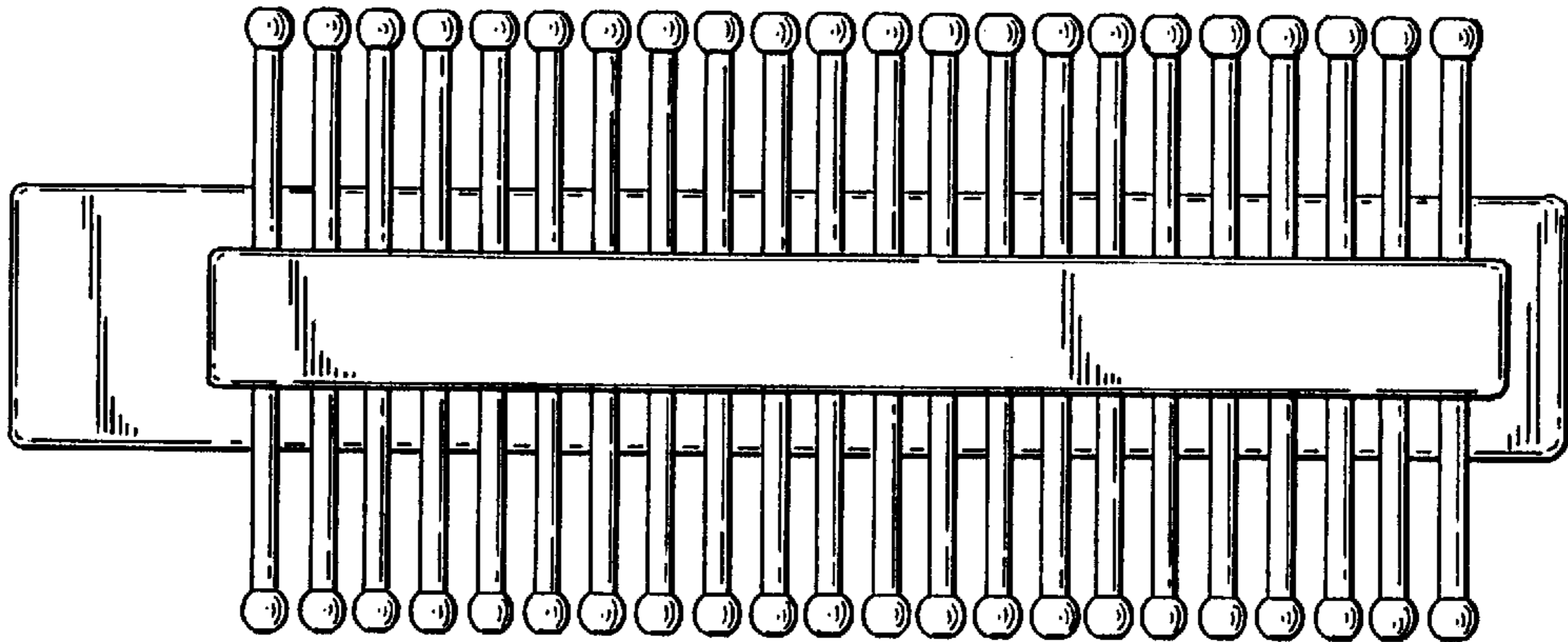


FIG. 5

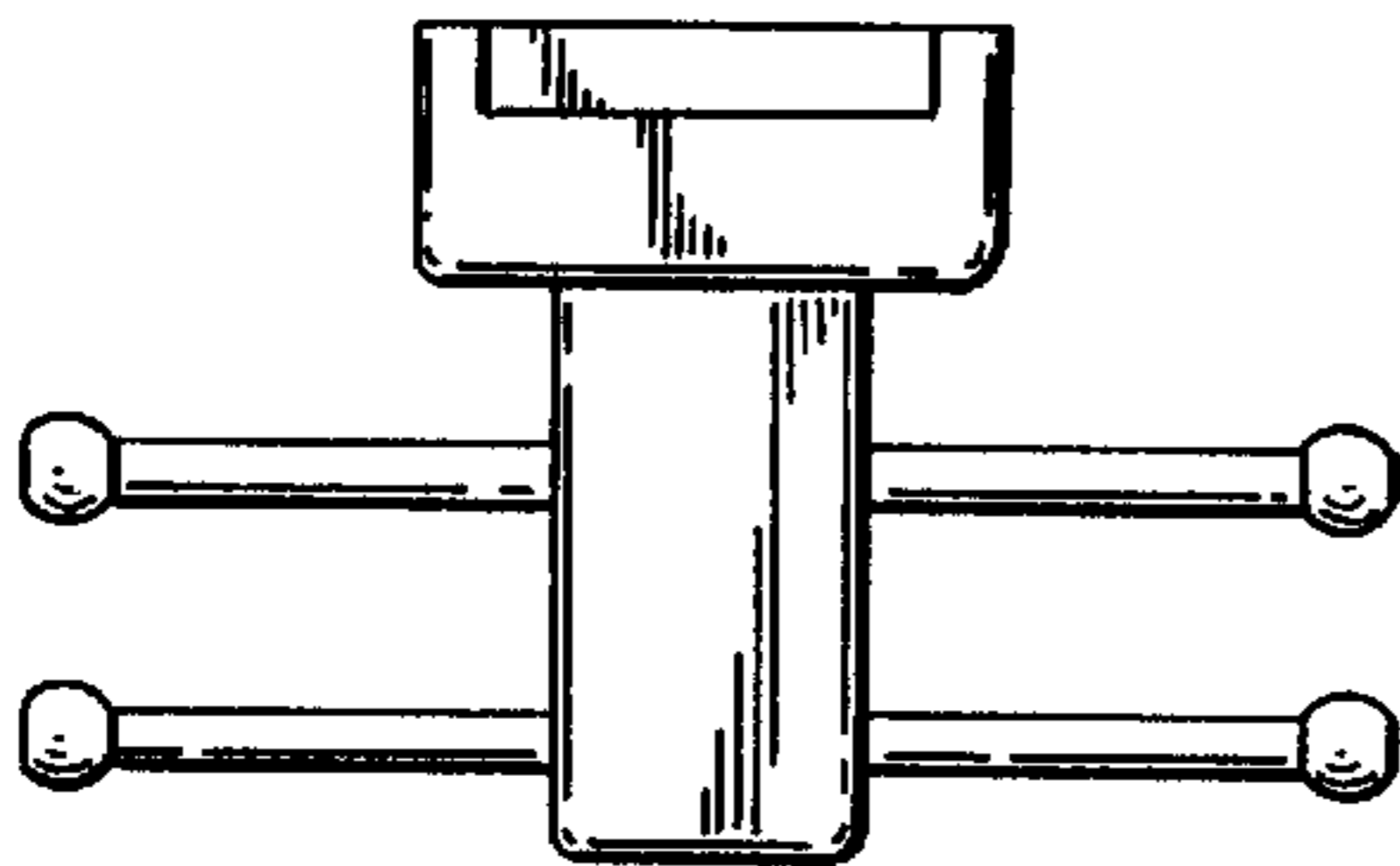


FIG. 7

FIG. 6

