



US00D409845S

# United States Patent [19] Mok

[11] **Patent Number: Des. 409,845**

[45] **Date of Patent: \*\* May 18, 1999**

[54] **SUSPENDED PICTURE FRAME**

[75] Inventor: **Ho-Lun Mok**, Weymouth, Mass.

[73] Assignee: **Fetco International, Inc.**, Randolph, Mass.

[\*\*] Term: **14 Years**

[21] Appl. No.: **29/084,996**

[22] Filed: **Mar. 13, 1998**

[51] **LOC (6) Cl.** ..... **06-07**

[52] **U.S. Cl.** ..... **D6/301; D6/311**

[58] **Field of Search** ..... D6/300-302, 303, D6/309-314, 332; 248/441.1, 444.1, 465.1; 40/700, 711, 723, 727, 729-733, 735, 739, 745-749, 790, 798, 603, 757-759; 160/135, 351

[56] **References Cited**

**U.S. PATENT DOCUMENTS**

197,554	11/1877	Johnson	.....	248/465.1
D. 361,897	9/1995	Jackson	.....	D6/300
873,050	12/1907	Itter	.....	40/729
2,855,037	10/1958	Stiffel	.....	160/135
4,269,382	5/1981	Coulson	.....	248/472
4,700,498	10/1987	Perutz et al.	.....	40/603

*Primary Examiner*—Janice E. Seeger  
*Attorney, Agent, or Firm*—Salter & Michaelson

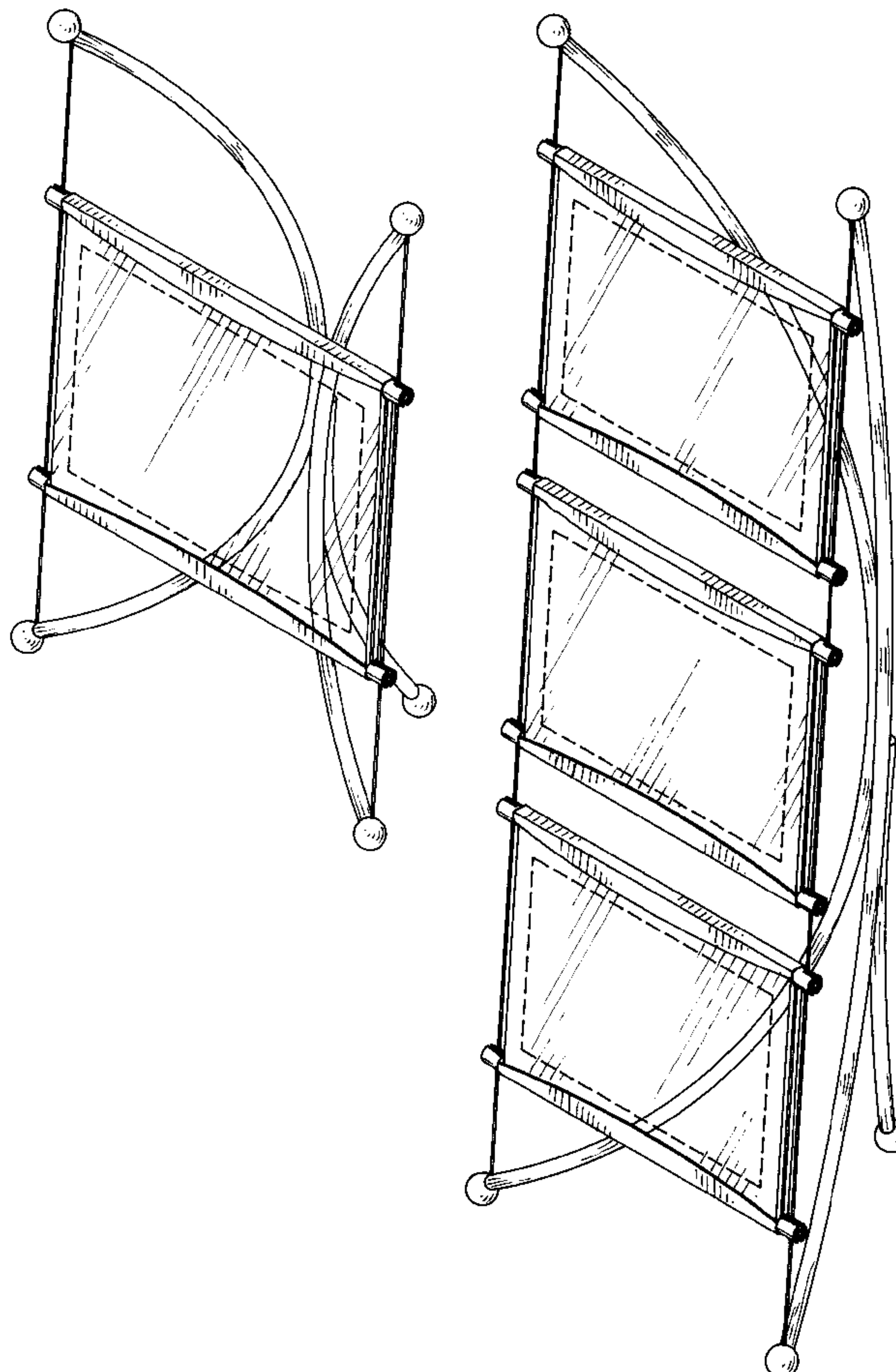
[57] **CLAIM**

The ornamental design for a suspended picture frame, as shown and described.

**DESCRIPTION**

FIG. 1 is a perspective view showing my new design for a suspended picture frame;  
 FIG. 2 is a front view thereof;  
 FIG. 3 is a rear view thereof;  
 FIG. 4 is a left side view thereof;  
 FIG. 5 is a right side view thereof;  
 FIG. 6 is a top view thereof;  
 FIG. 7 is a bottom view thereof;  
 FIG. 8 is a perspective view showing a modified form of the instant design;  
 FIG. 9 is a perspective view showing a further modified form of the instant design; and,  
 FIG. 10 is a perspective view showing still a further modified form of the instant design.  
 The broken lines in FIGS. 1, 8, 9, and 10 illustrate the periphery of a mounted picture and form no part of the instant design.

**1 Claim, 6 Drawing Sheets**



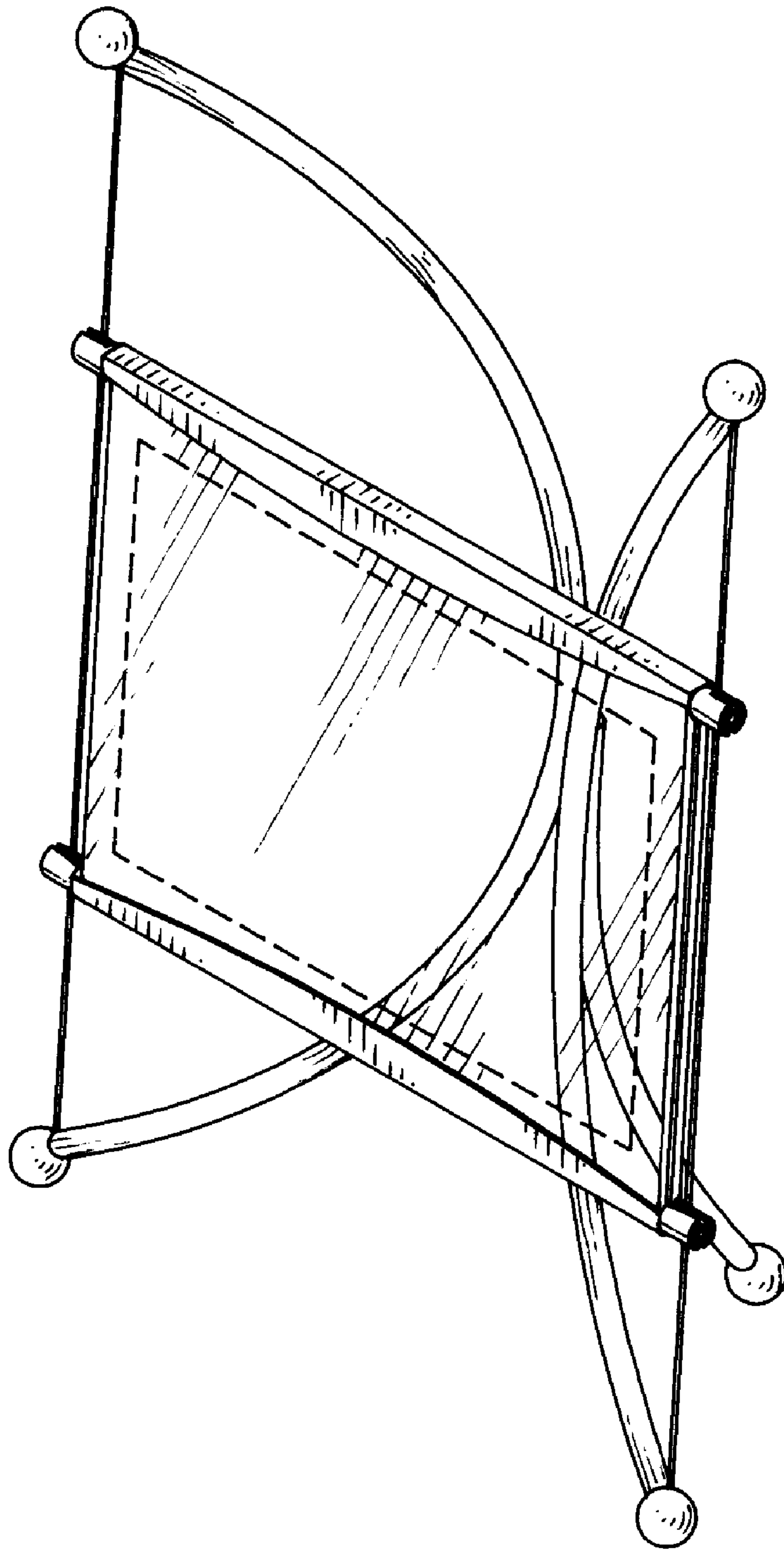


FIG. 1

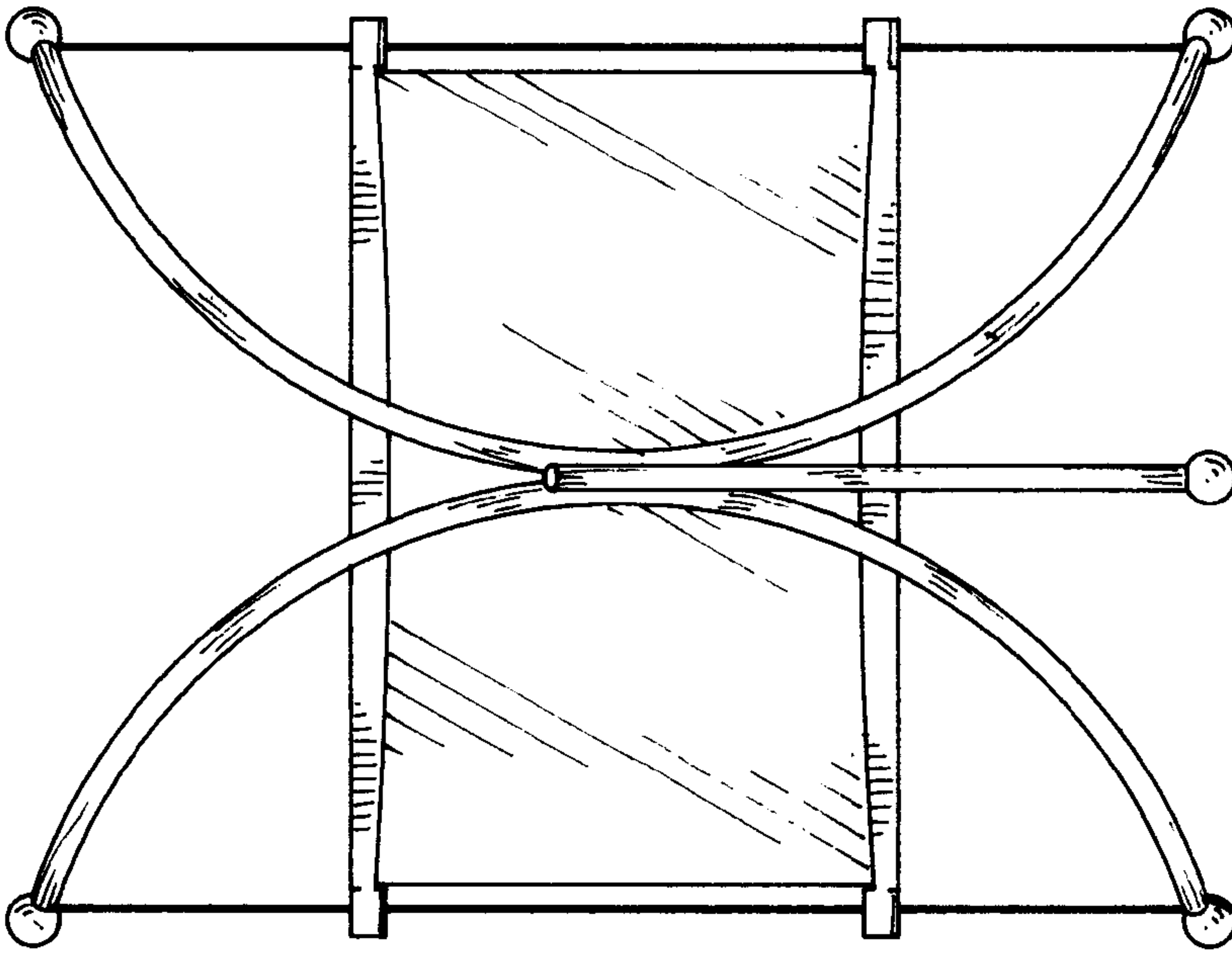


FIG. 3

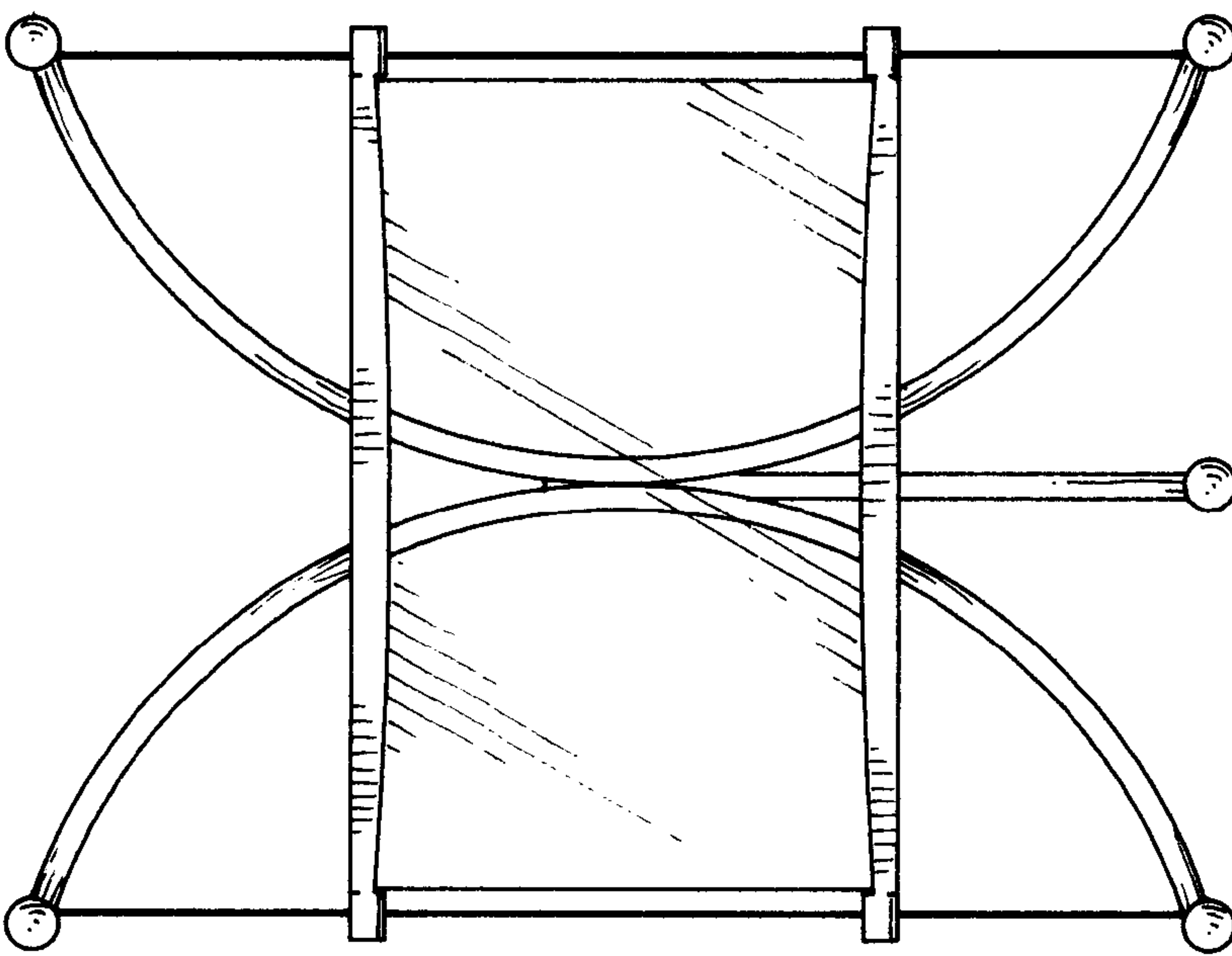


FIG. 2

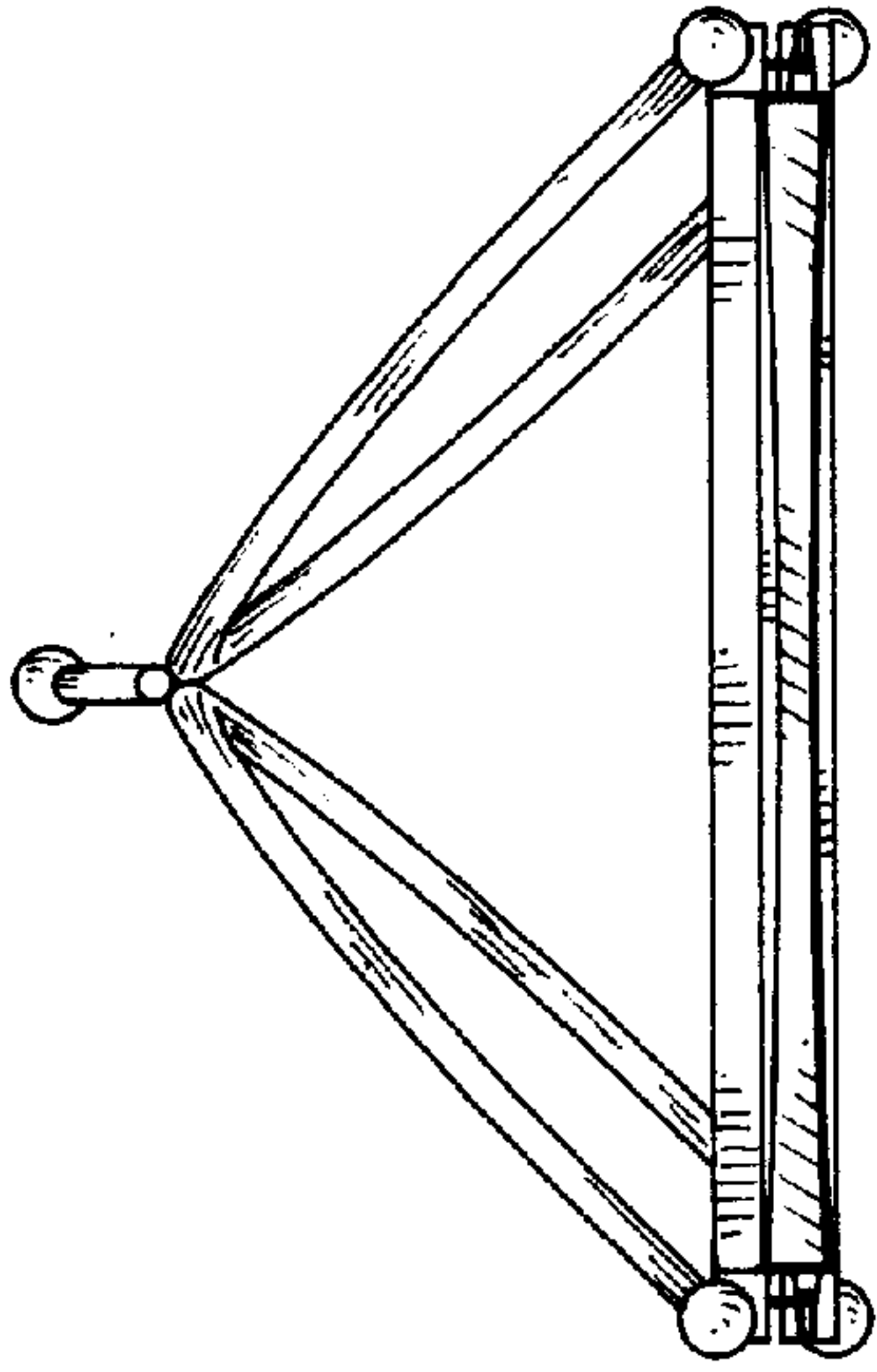


FIG. 6

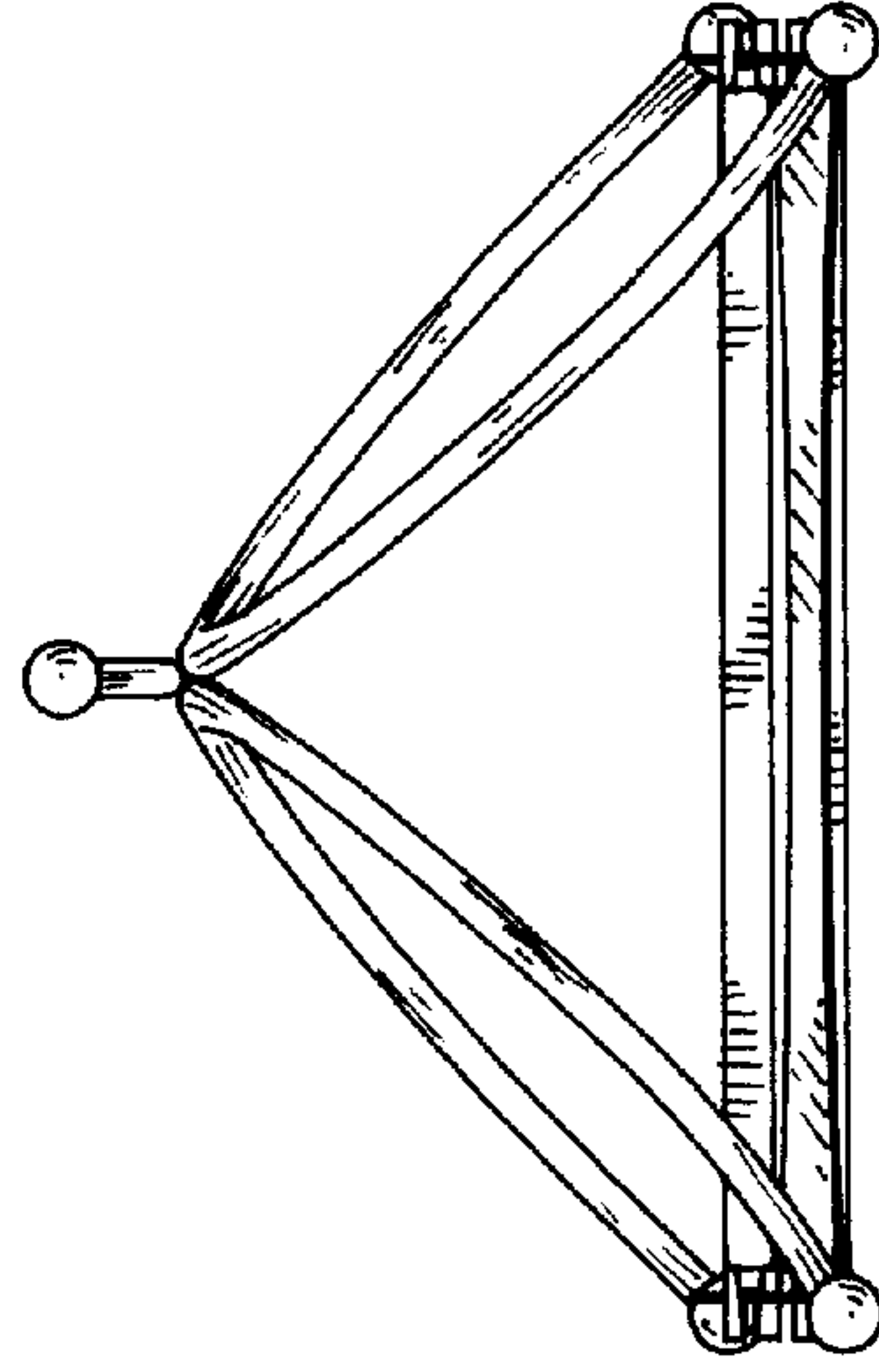


FIG. 7

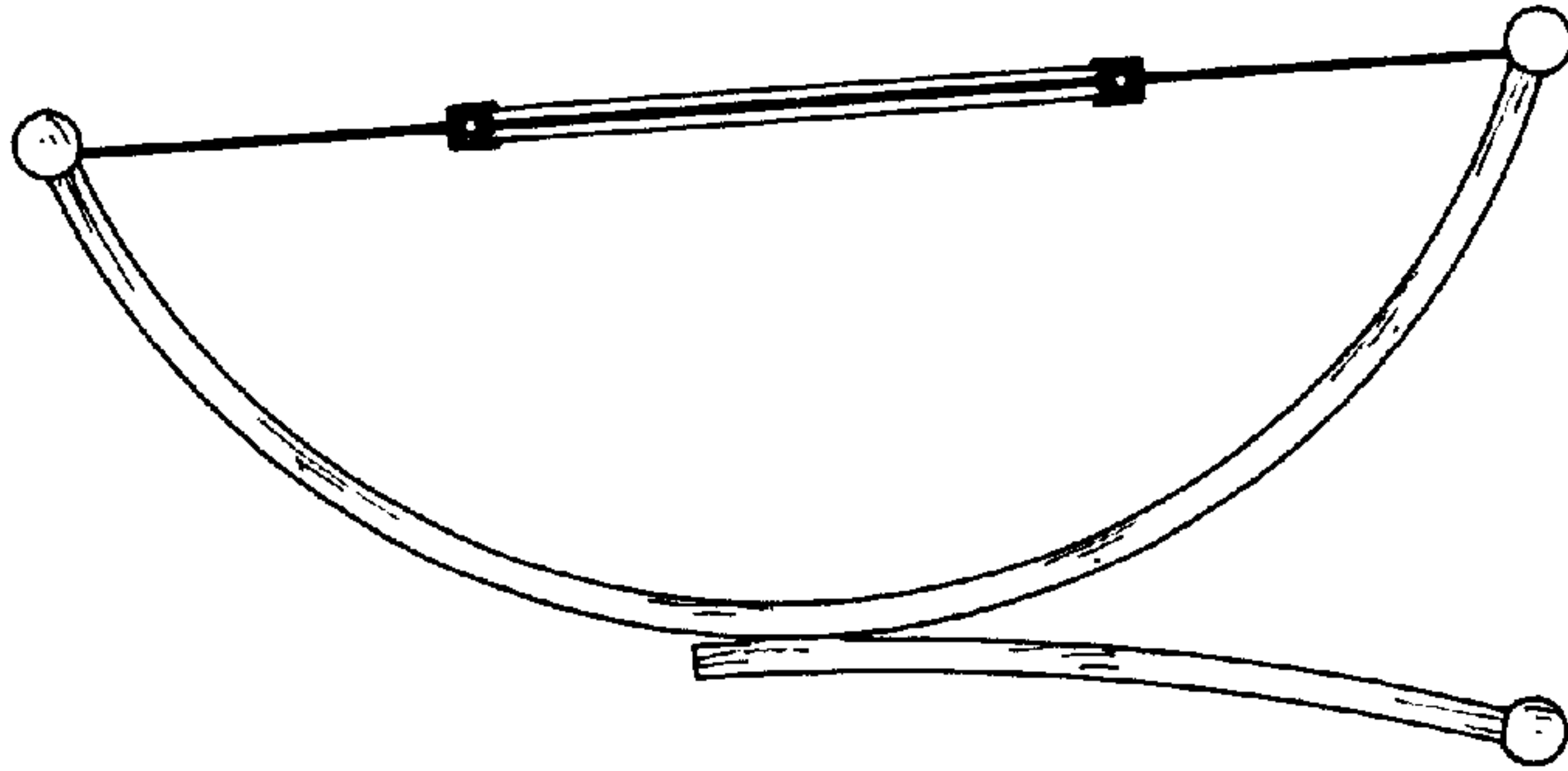


FIG. 5

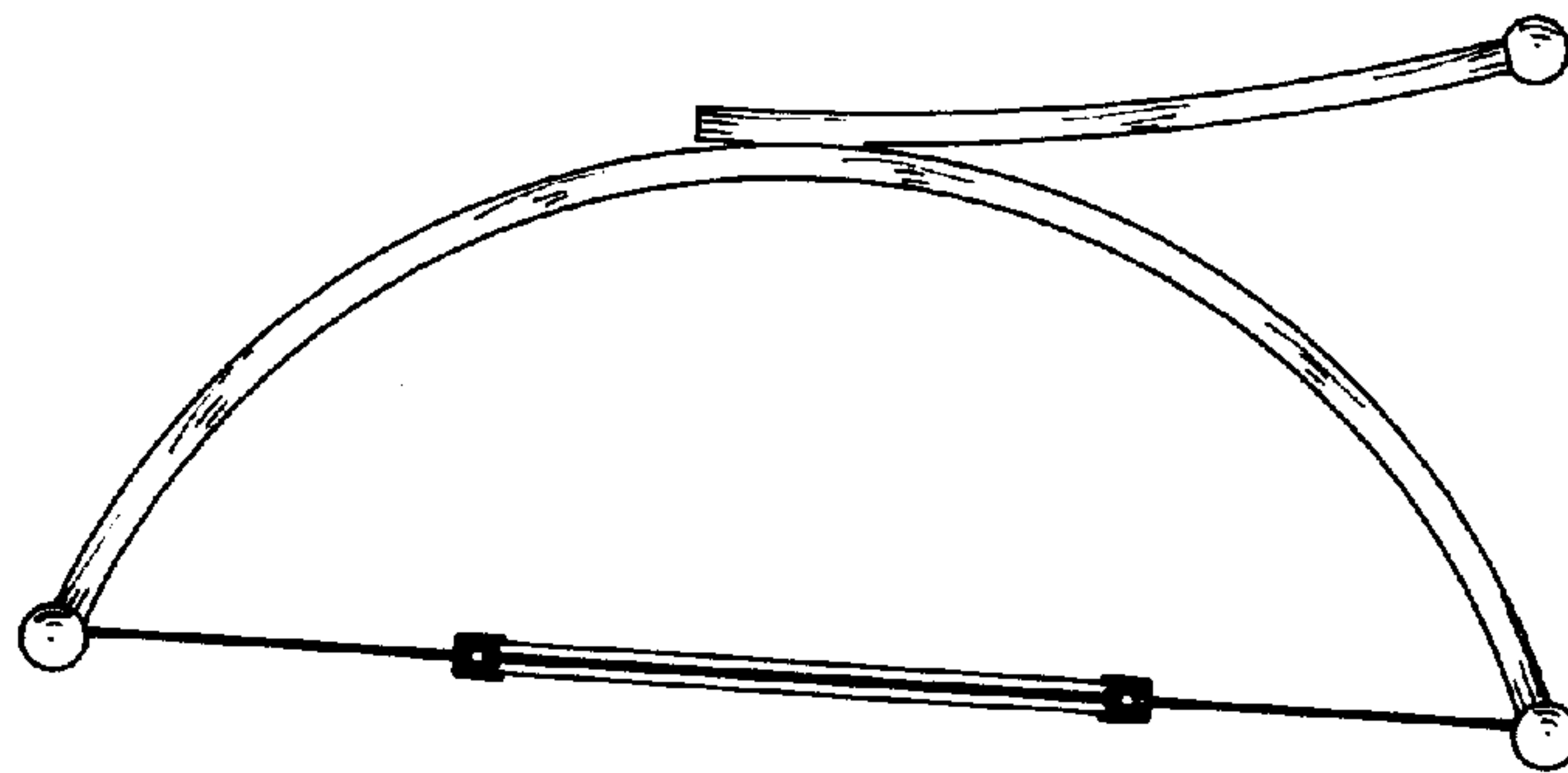


FIG. 4



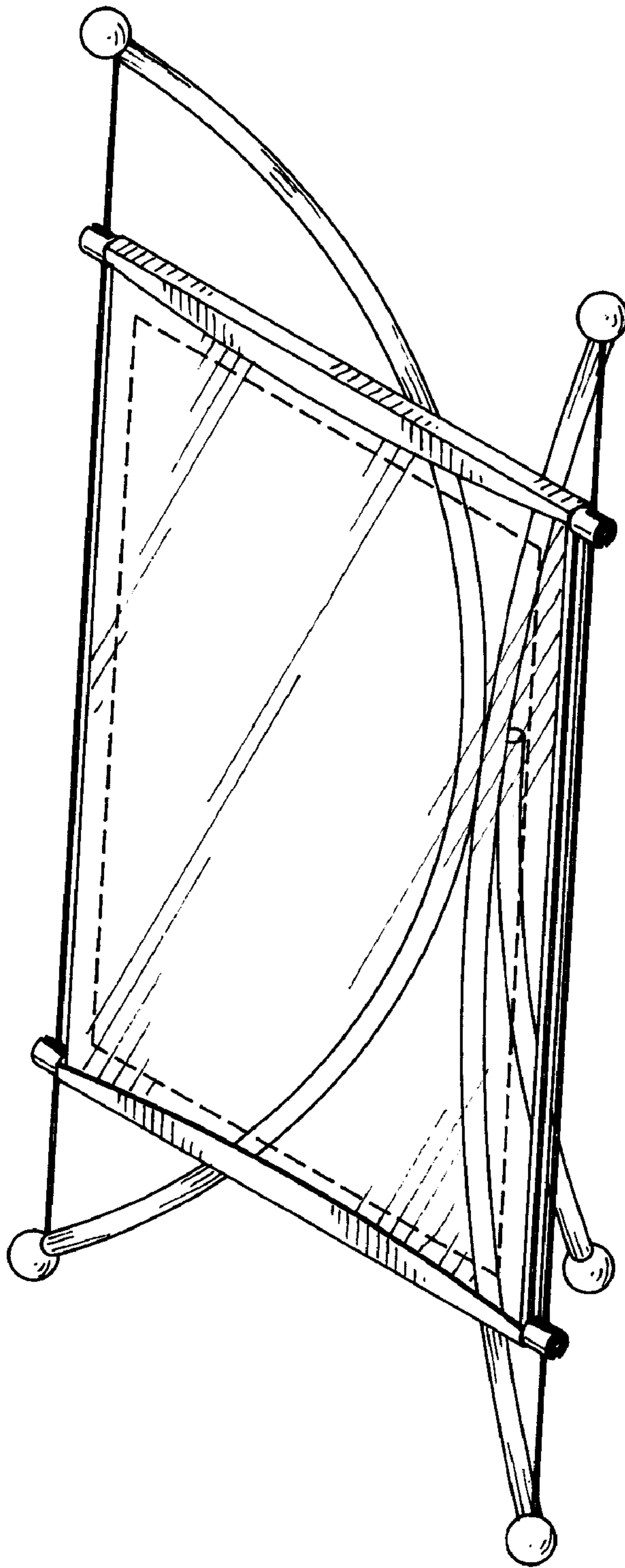


FIG. 8

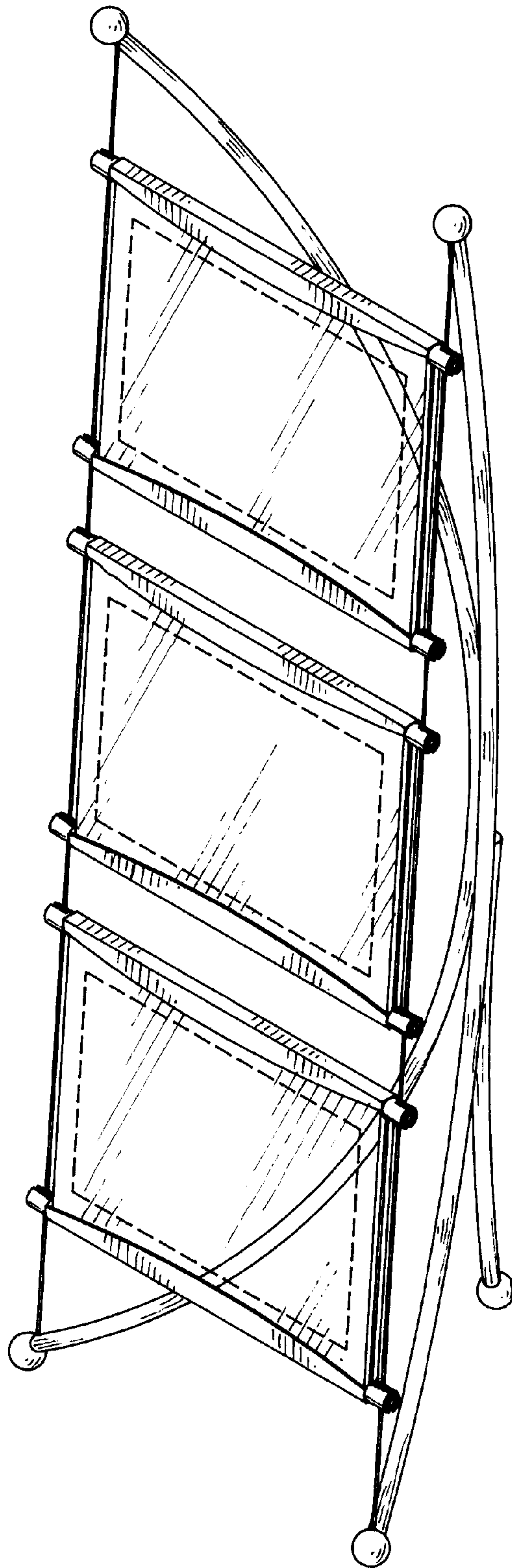


FIG. 9

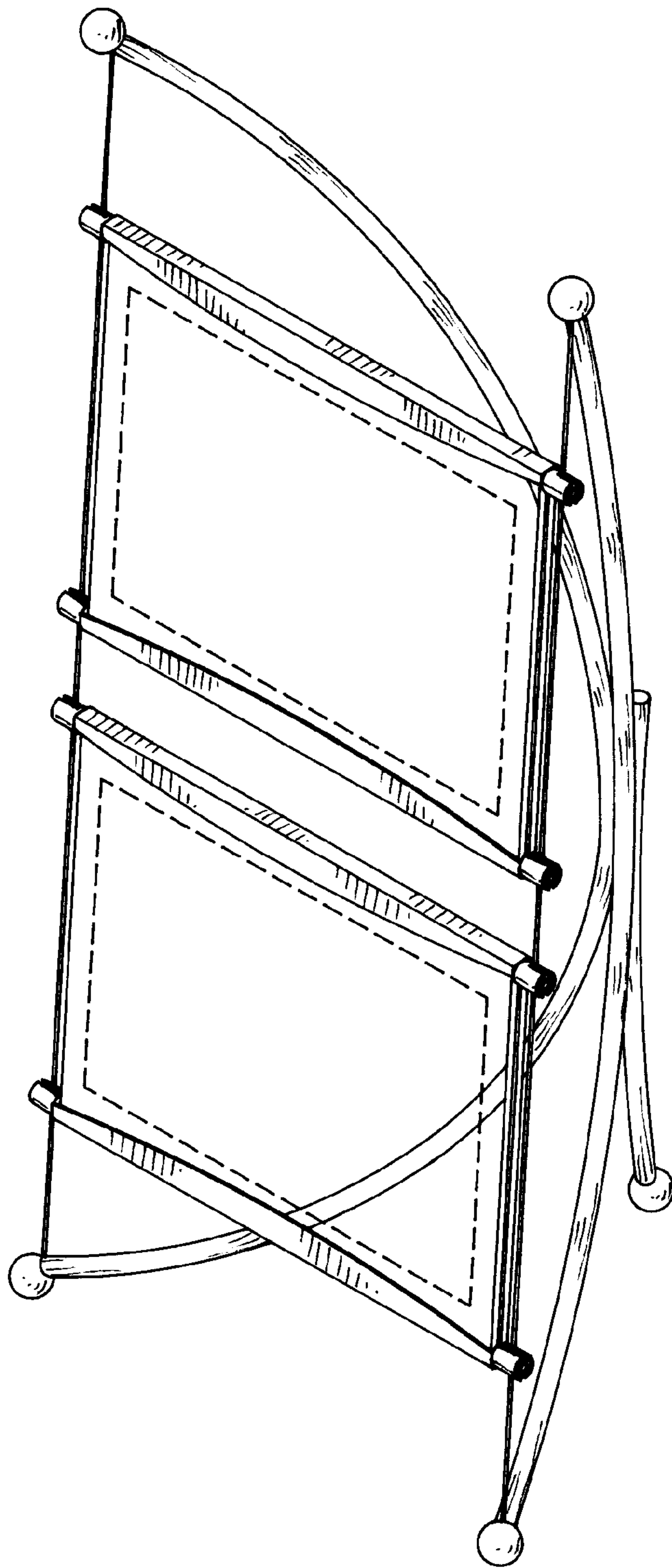


FIG. 10