



US00D409838S

United States Patent [19]
Steurer

[11] **Patent Number: Des. 409,838**

[45] **Date of Patent: ** May 18, 1999**

[54] **FOUR POINT DUAL SHOULDER STRAP FOR A GOLF BAG**

5,348,205 9/1994 Steurer .
5,429,288 7/1995 Sattler .
5,558,259 9/1996 Izzo .
5,593,077 1/1997 Izzo .
5,636,778 6/1997 Jones .

[76] Inventor: **Steven T. Steurer**, 18 Sterling Rd.,
Louisville, Ky. 40220-3524

[**] Term: **14 Years**

Primary Examiner—Louis S. Zarfes
Assistant Examiner—Robert Delehanty

[21] Appl. No.: **29/093,833**

[57] **CLAIM**

[22] Filed: **Sep. 18, 1998**

The ornamental design for a four point dual shoulder strap for a golf bag, as shown and described.

[51] **LOC (6) Cl.** **03-01**

[52] **U.S. Cl.** **D3/327; D3/327**

[58] **Field of Search** 206/315; 334/150,
334/163, 202, 209-216, 258.9, 261, 264,
272, 578, 580, 645, 916-17; 273/32 E;
D3/215, 254, 255, 287, 320, 327, 328;
D21/789, 796; D34/15

DESCRIPTION

FIG. 1 is a perspective view of a four point dual shoulder strap for a golf bag showing my design;
FIG. 2 is a top plan view thereof;
FIG. 3 is a front elevation view thereof;
FIG. 4 is a side elevation view, the opposite side being a mirror image thereof; and,
FIG. 5 is a rear elevational view thereof.

The broken lines showing the golf bag in FIG. 1 is for illustrative purposes only and forms no part of the claimed design.

The broken lines shown on the shoulder strap represent stitching.

[56] **References Cited**

U.S. PATENT DOCUMENTS

D. 362,752 10/1995 Steurer .
2,853,111 9/1958 Williams .
4,487,347 12/1984 Zegar .
5,038,984 8/1991 Izzo .
5,042,703 8/1991 Izzo .
5,042,704 8/1991 Izzo .

1 Claim, 3 Drawing Sheets

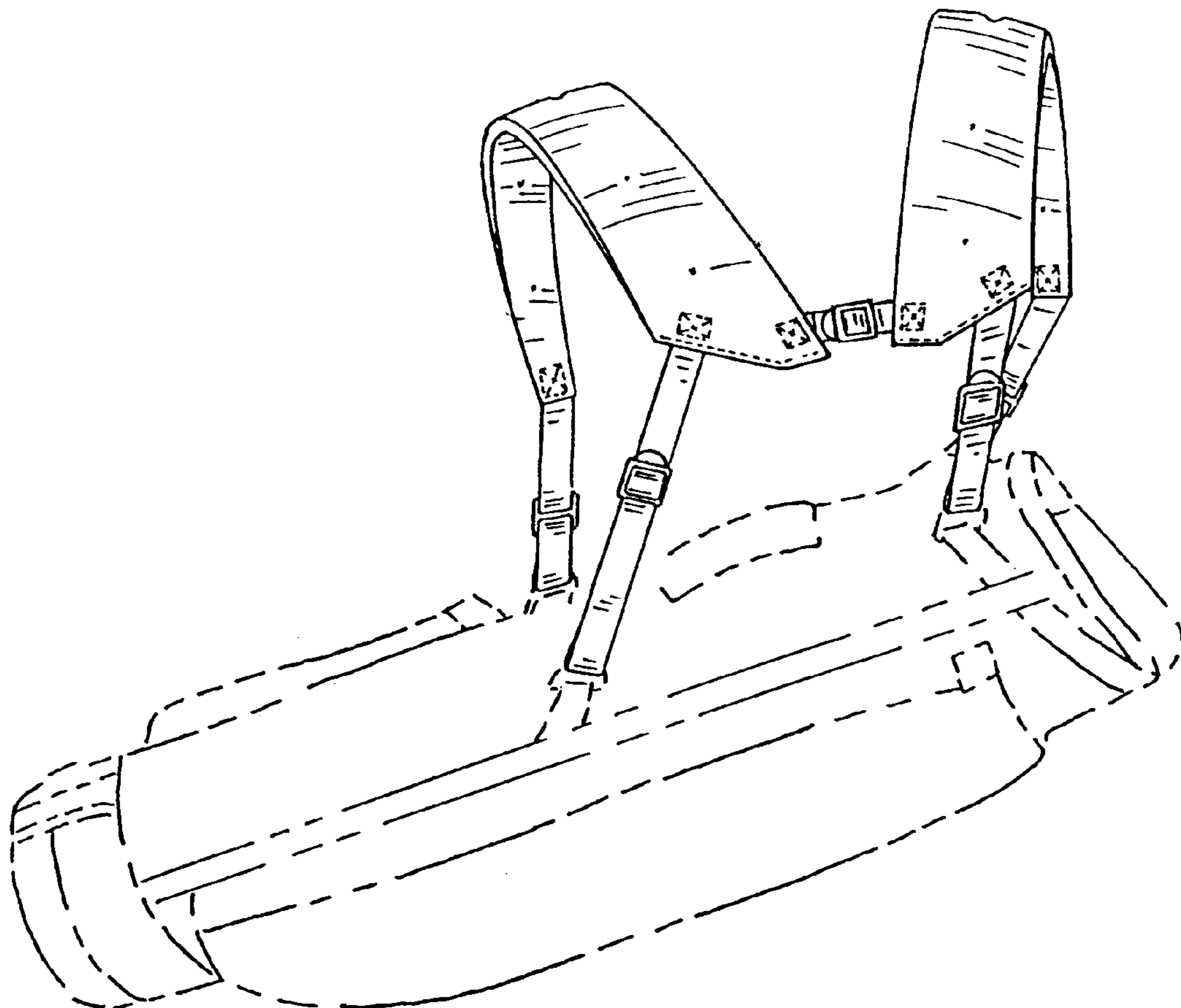


FIG. 1

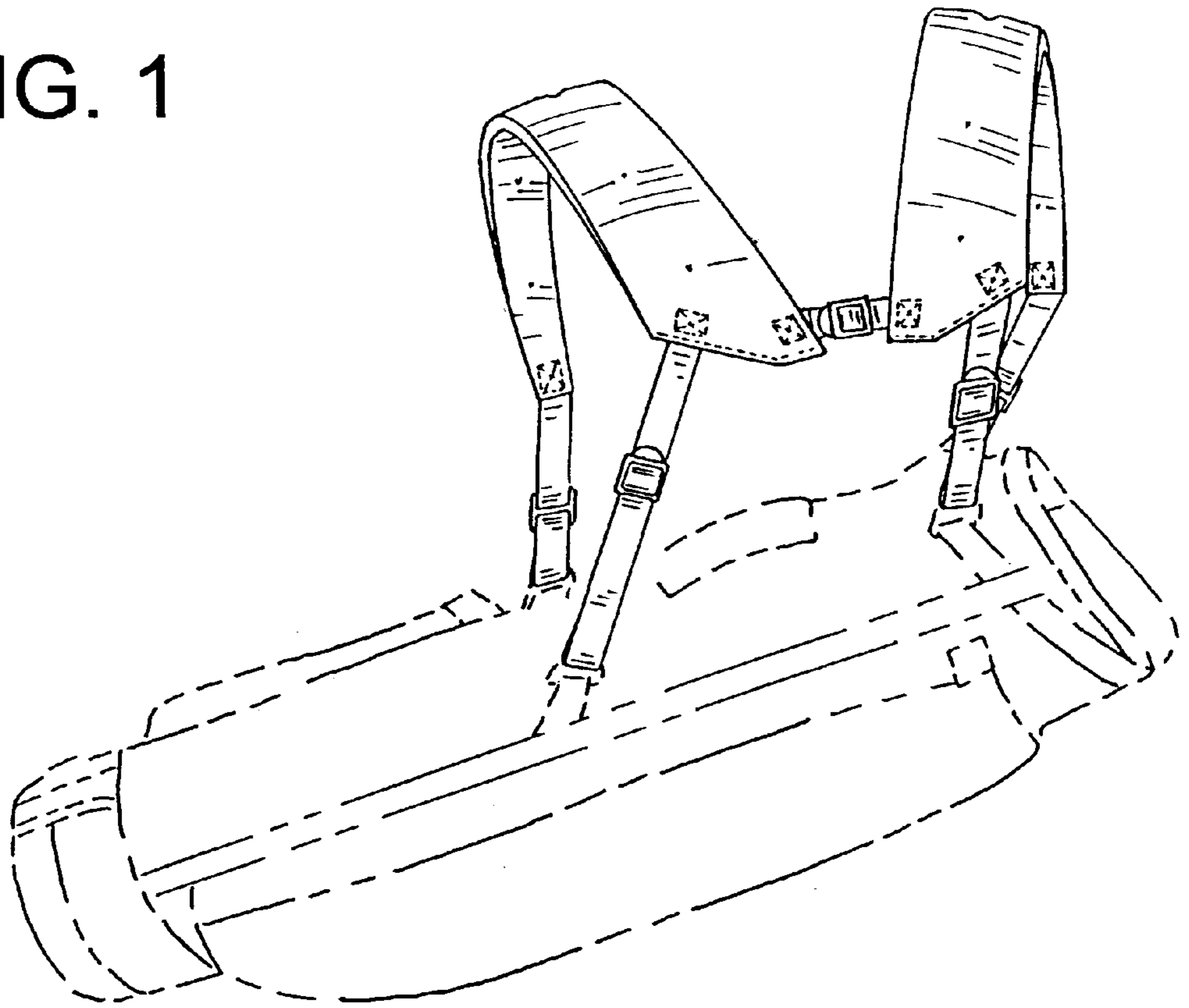


FIG. 2

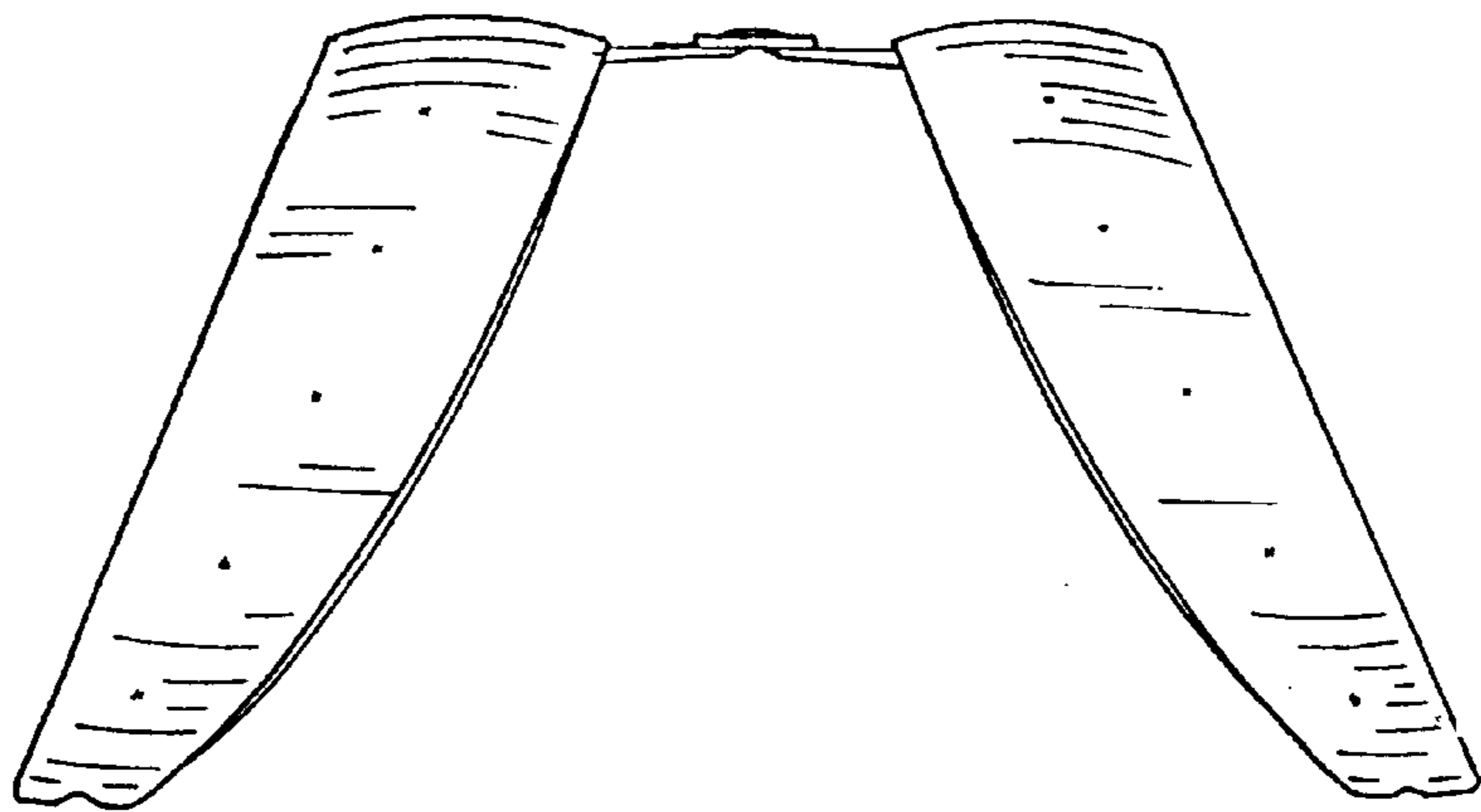


FIG. 3

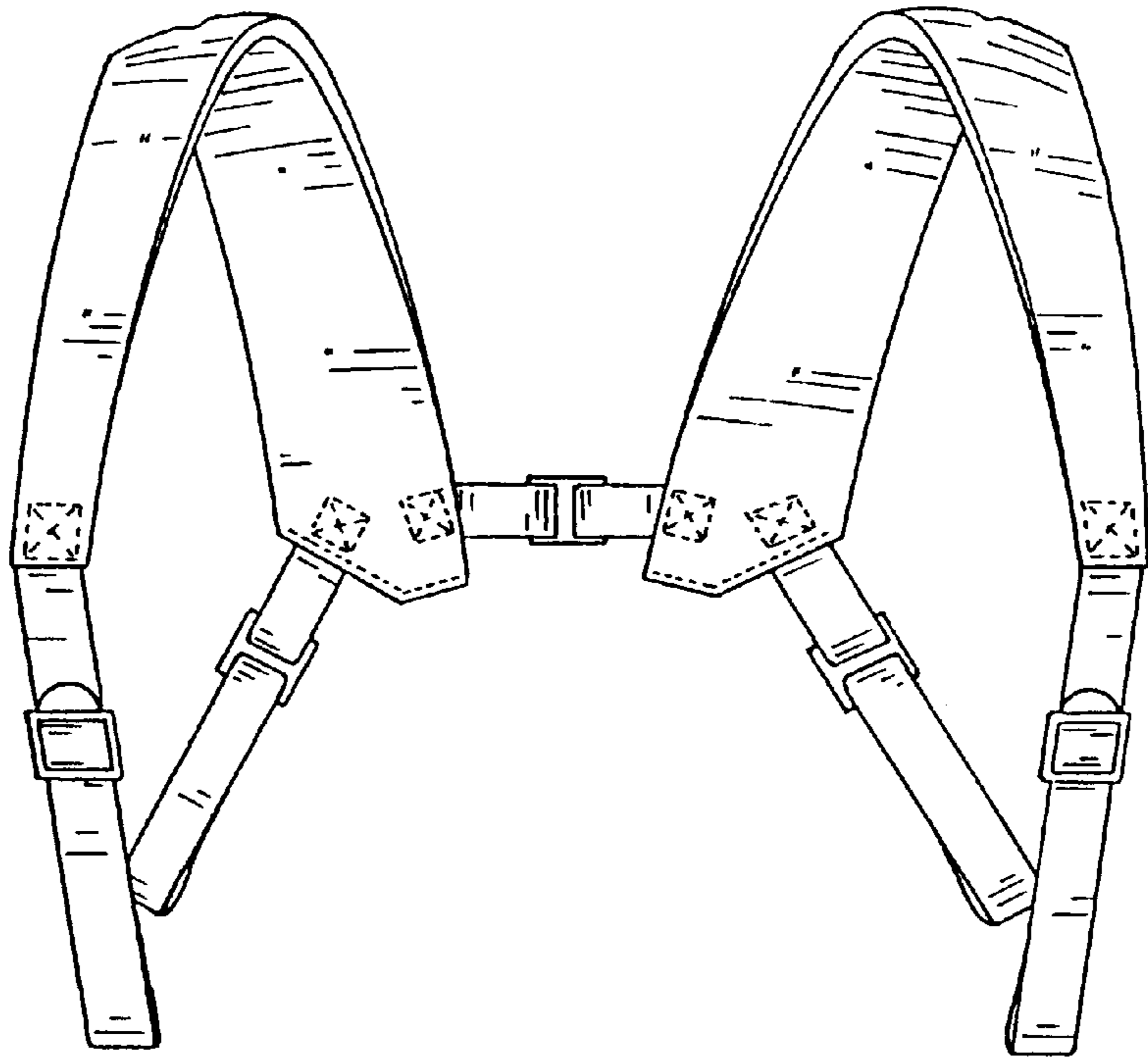


FIG. 4

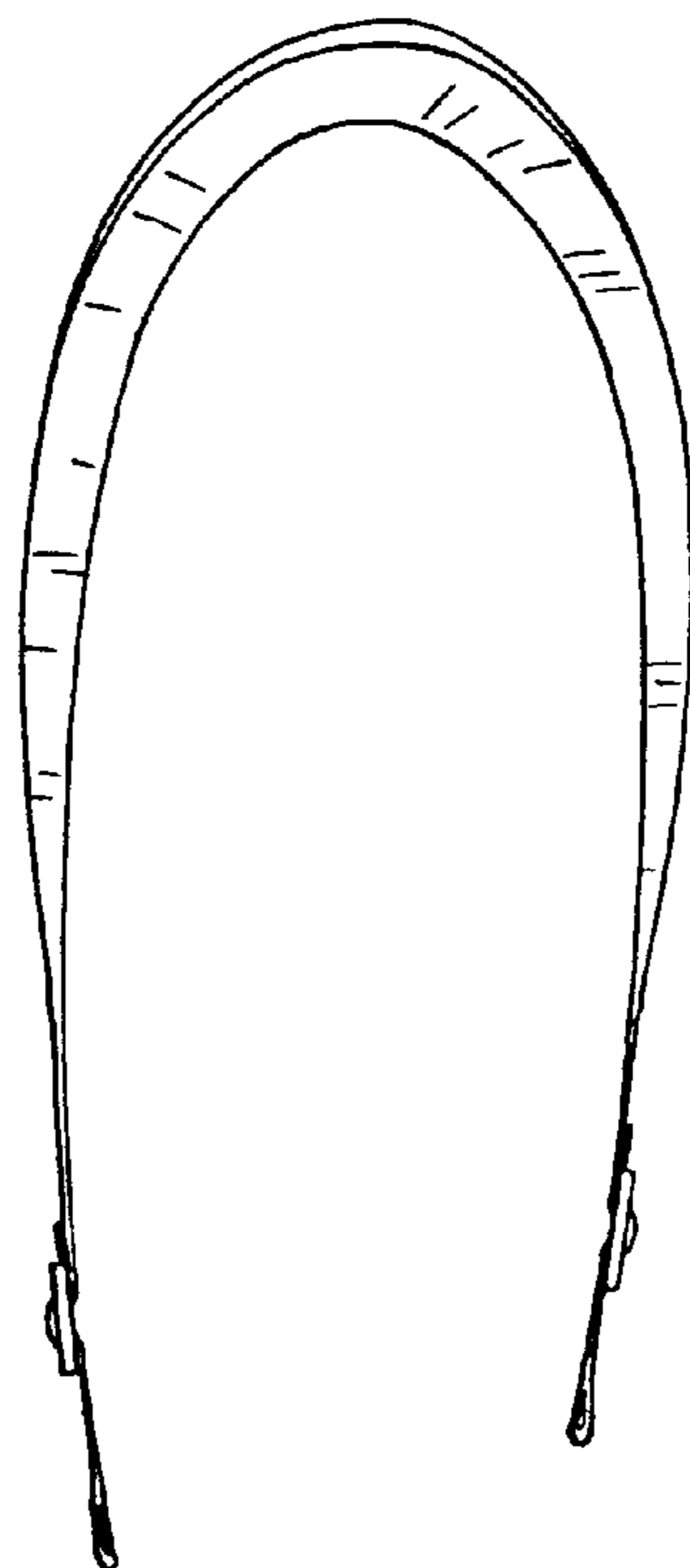


FIG. 5

