



US00D409837S

# United States Patent [19]

[11] **Patent Number: Des. 409,837**

**Lacy et al.**

[45] **Date of Patent: \*\* May 18, 1999**

## [54] WOODEN BASKET

## OTHER PUBLICATIONS

[75] Inventors: **Sun Lacy**, Newark; **Todd Miller**, Nashport, both of Ohio

Longaberger Wish List catalog, p. 27, Medium & Large Vegetable Baskets, 1994.

[73] Assignee: **The Longaberger Company**, Newark, Ohio

The Longaberger Company, 1990 Small Vegetable Basket, depicted in *The Bentley Collection Guide* (5th ed. 1997), p. 117.

[\*\*] Term: **14 Years**

*Primary Examiner*—Ted Shooman

*Assistant Examiner*—Richelle Shelton

[21] Appl. No.: **29/065,556**

*Attorney, Agent, or Firm*—Porter, Wright, Morris & Arthur

[22] Filed: **Mar. 29, 1997**

## [57] CLAIM

### Related U.S. Application Data

The ornamental design for a wooden basket, as shown and described.

[63] Continuation-in-part of application No. 29/047,844, Dec. 13, 1995, Pat. No. Des. 390,359.

## DESCRIPTION

[51] **LOC (6) Cl.** ..... **03-01**

FIG. 1 is a perspective view of the wooden basket showing our new design;

[52] **U.S. Cl.** ..... **D3/306**

FIG. 2 is a front elevation view thereof;

[58] **Field of Search** ..... D3/277, 304, 306,

FIG. 3 is a left side elevation view thereof;

D3/307, 308; D7/709; 217/122-125; 220/676, 772

FIG. 4 is a rear elevation view thereof;

FIG. 5 is a right side elevation view thereof;

FIG. 6 is a top view thereof; and,

FIG. 7 is a bottom view thereof.

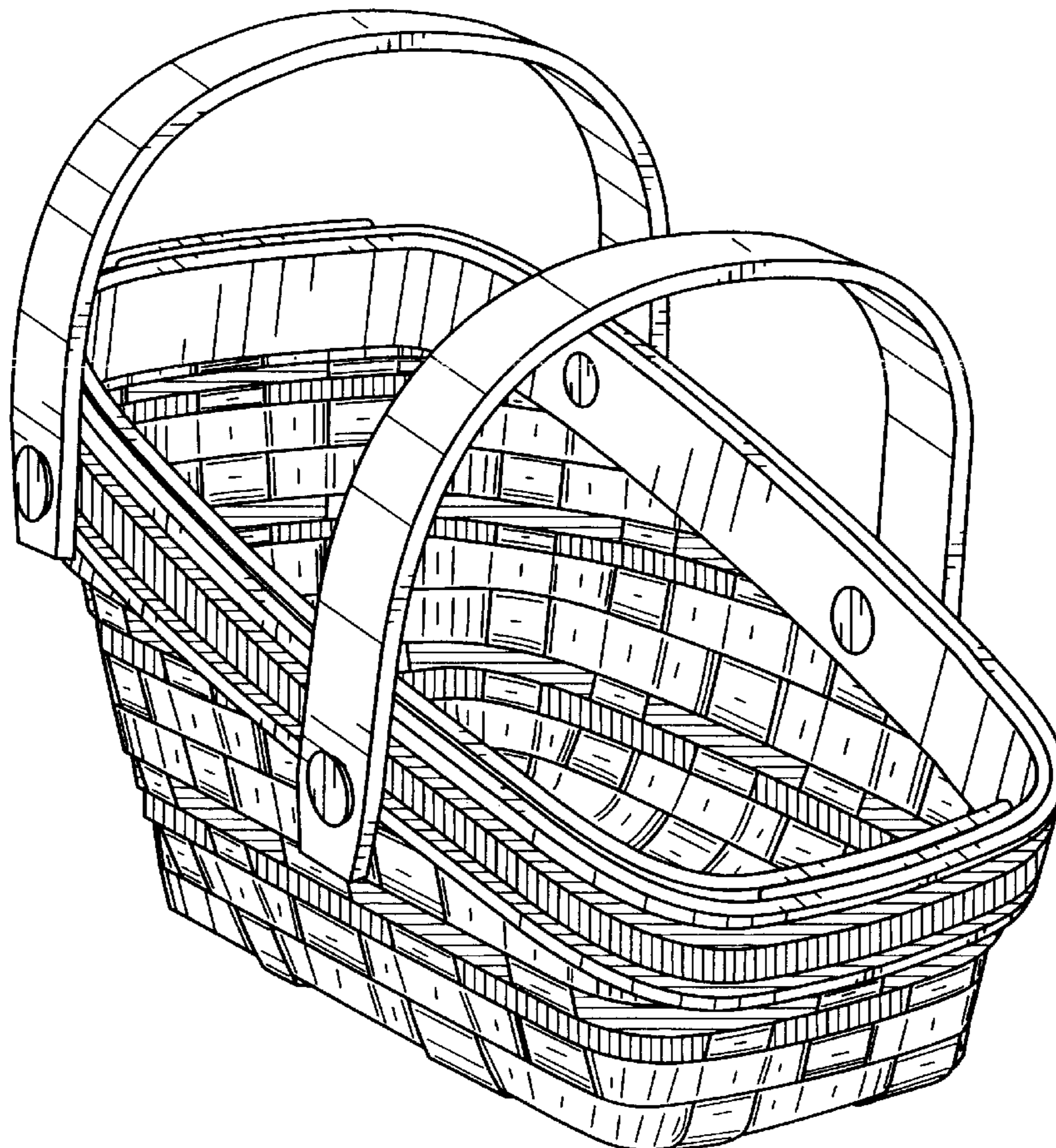
FIGS. 1-7 are schematically marked to indicate contrasting colors.

## [56] References Cited

### U.S. PATENT DOCUMENTS

D. 114,537	5/1939	Hobbs	.....	D3/308
D. 369,468	5/1996	Lacy	.....	D3/306

**1 Claim, 7 Drawing Sheets**



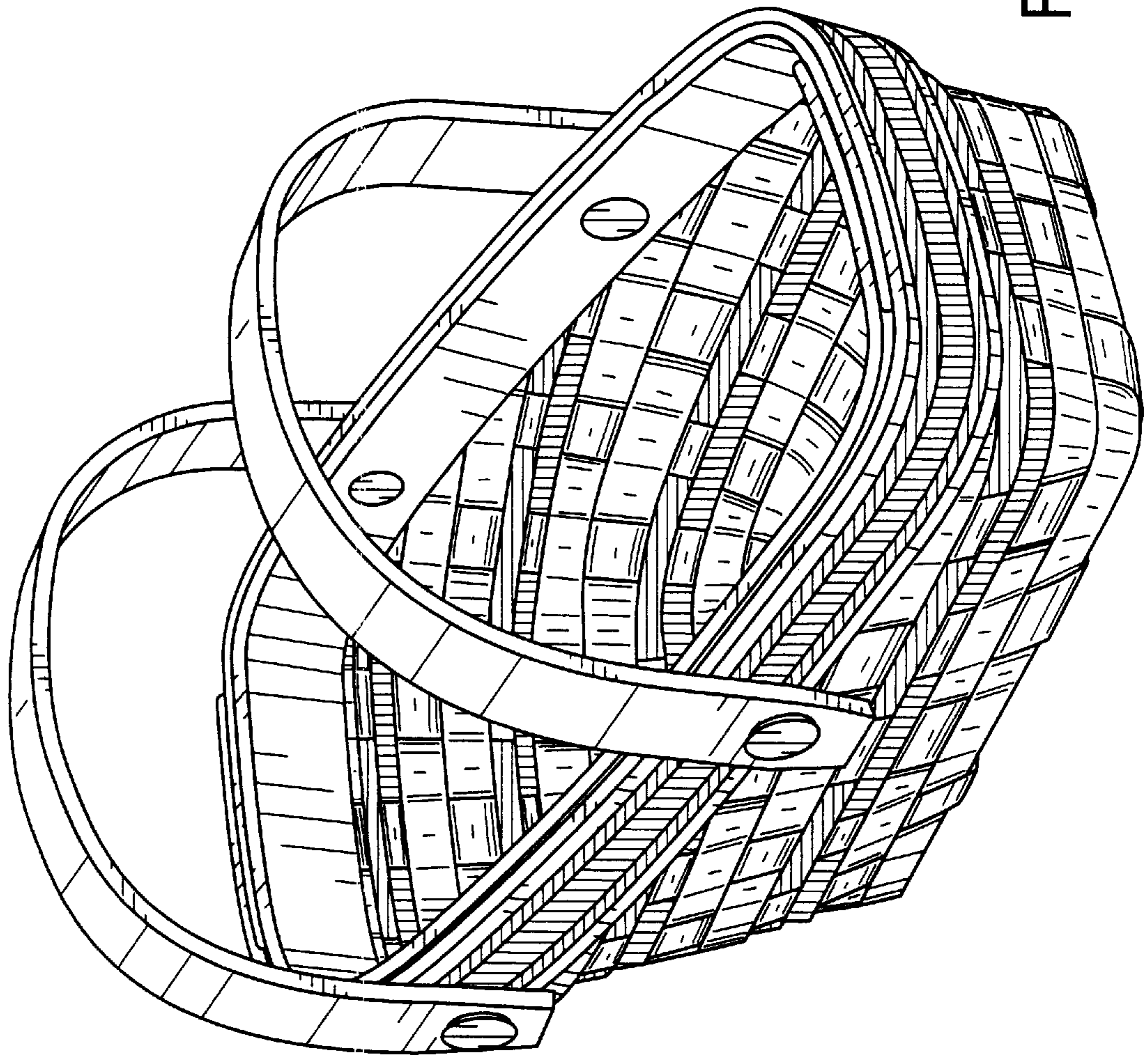


FIG. 1

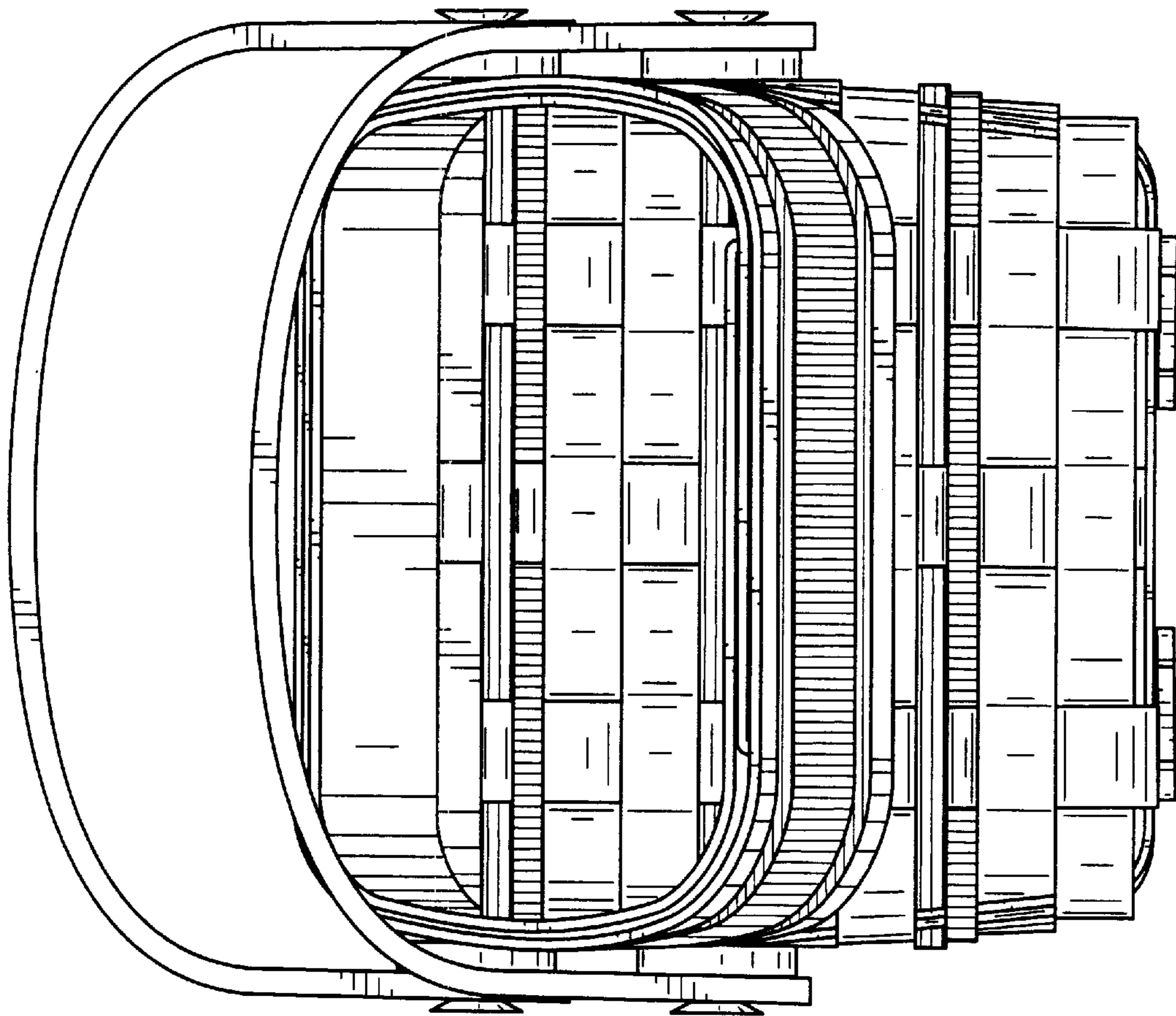


FIG. 2

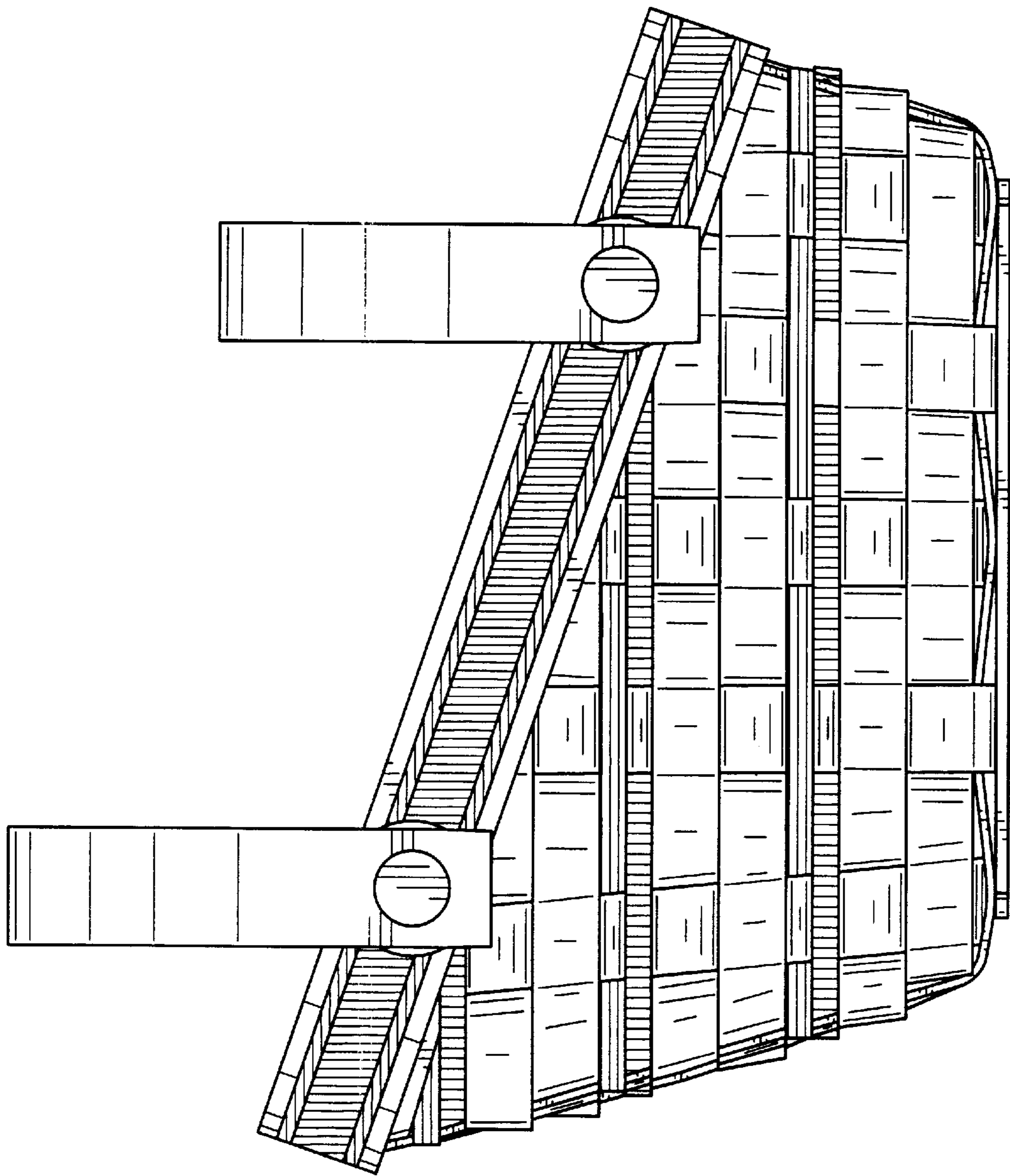


FIG. 3

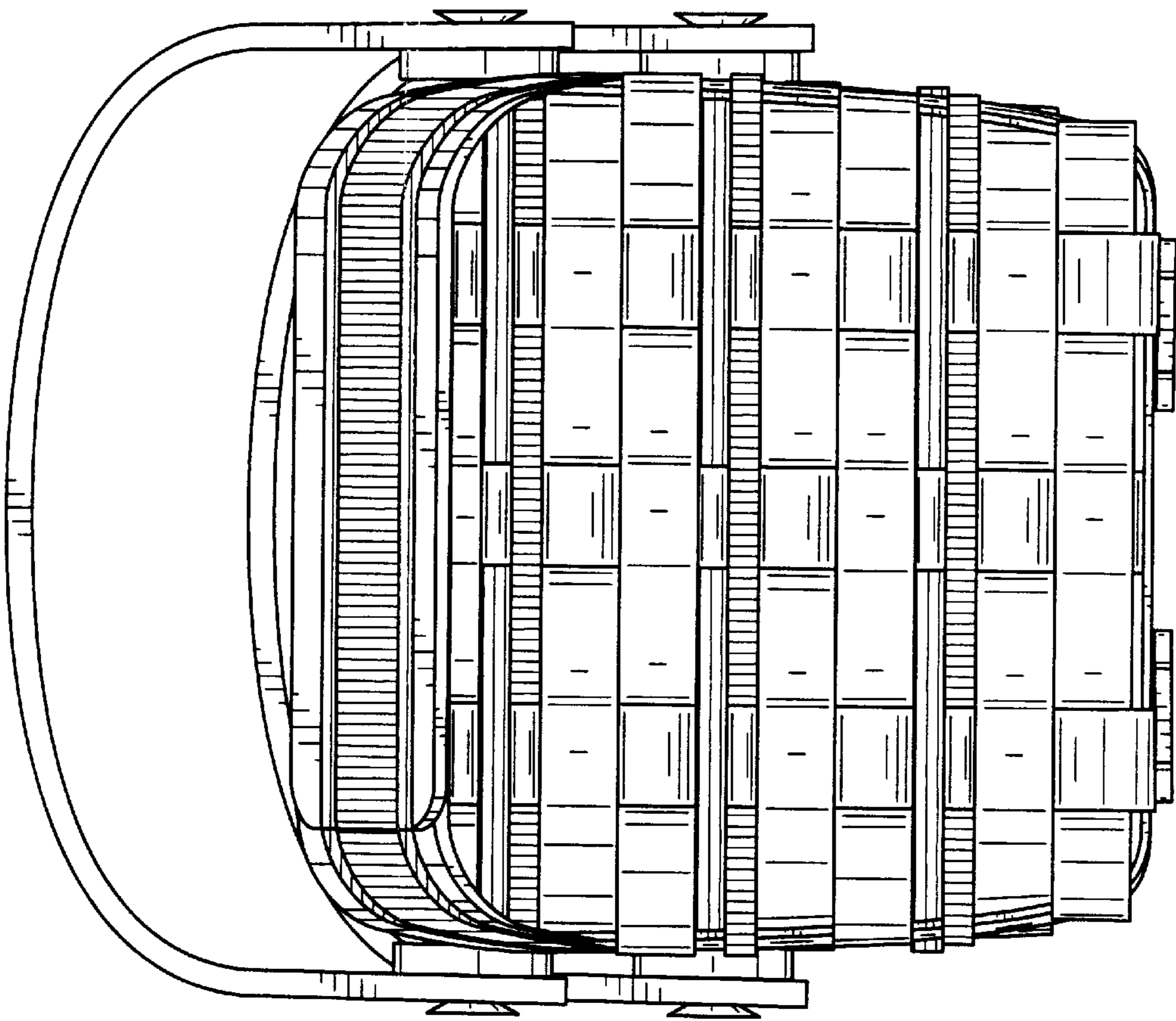


FIG. 4

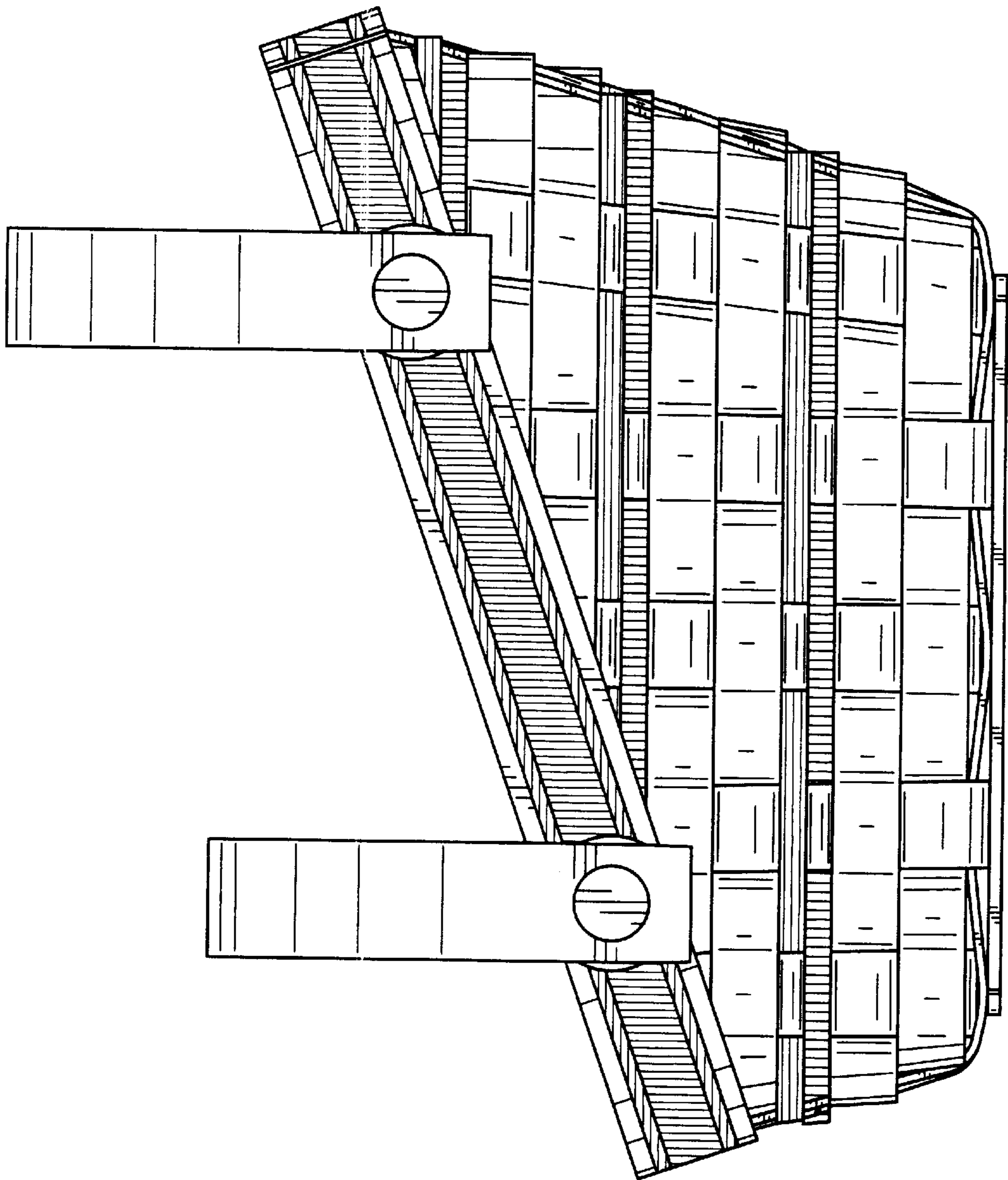


FIG. 5

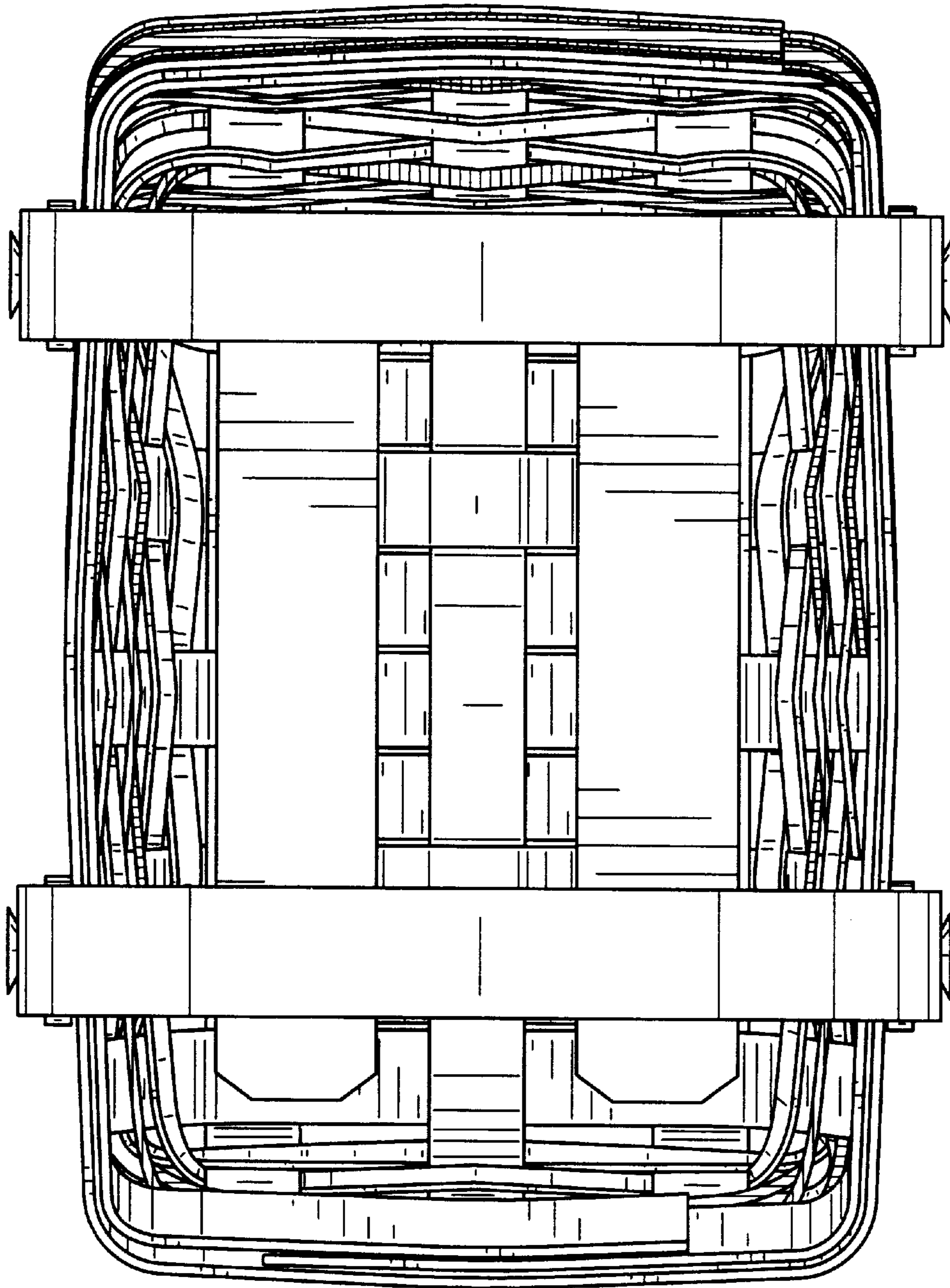


FIG. 6

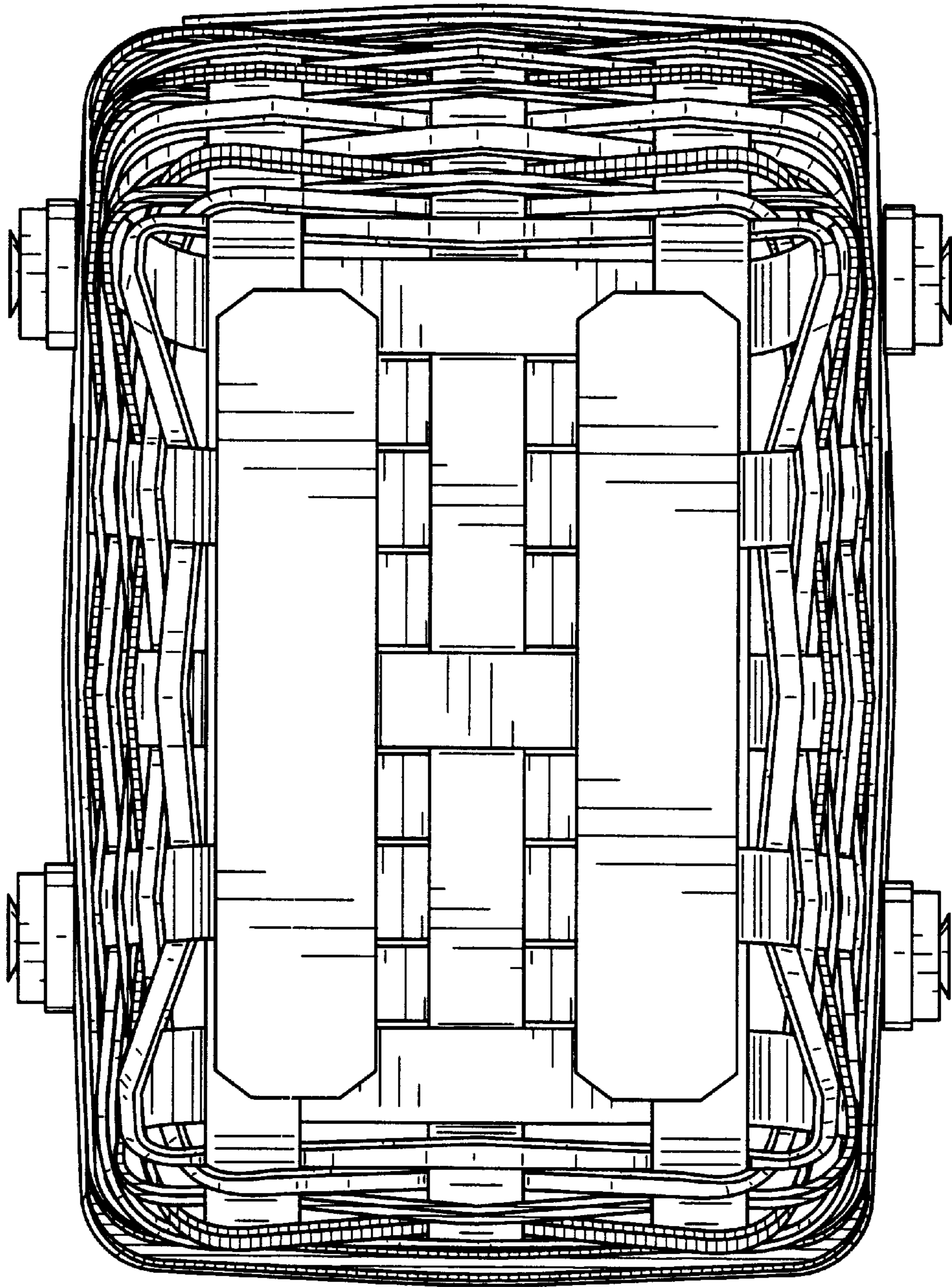


FIG. 7