



US00D409836S

# United States Patent [19]

Brown et al.

[11] Patent Number: Des. 409,836

[45] Date of Patent: \*\* May 18, 1999

[54] STORAGE CASE

[75] Inventors: **Patrick Brown**, Strongsville, Ohio;  
**Joseph C. Cacciola**, Wrentham, Mass.;  
**John Nottingham**, Chagrin Falls; **John Spirk**, Gates Mills, both of Ohio

[73] Assignees: **The Little Tikes Company**, Hudson, Ohio; **Amway Corporation**, Ada, Mich.

[\*\*] Term: **14 Years**

[21] Appl. No.: **29/089,223**

[22] Filed: **Jun. 10, 1998**

[51] LOC (6) Cl. .... **03-01**

[52] U.S. Cl. .... **D3/282; D3/276**

[58] Field of Search ..... D3/269, 272, 273,  
D3/276, 281, 282, 283, 291, 292; 190/110,  
111, 112, 113, 109; D7/709

[56] **References Cited**

**U.S. PATENT DOCUMENTS**

D. 188,583	8/1960	Moss	.....	D3/282
D. 333,912	3/1993	Cheng	.....	D3/292
D. 335,067	4/1993	Hamilton et al.	.....	D7/709
D. 362,546	9/1995	Mundorf et al.	.....	D3/282

D. 368,371	4/1996	Calmeise	.....	D3/282
D. 370,557	6/1996	Ferris et al.	.....	D3/273
D. 372,404	8/1996	Booten	.....	D3/282

**OTHER PUBLICATIONS**

Kenner Products, CPG Products Corp. Division, "cyclo-graph" advertisement, 5 pages, (1983).  
Kenner Parker Toys "Design Toys" advertisement, 3 pages, (1986).

*Primary Examiner*—Philip S. Hyder  
*Attorney, Agent, or Firm*—Renner, Kenner, Greive, Bobak, Taylor & Weber

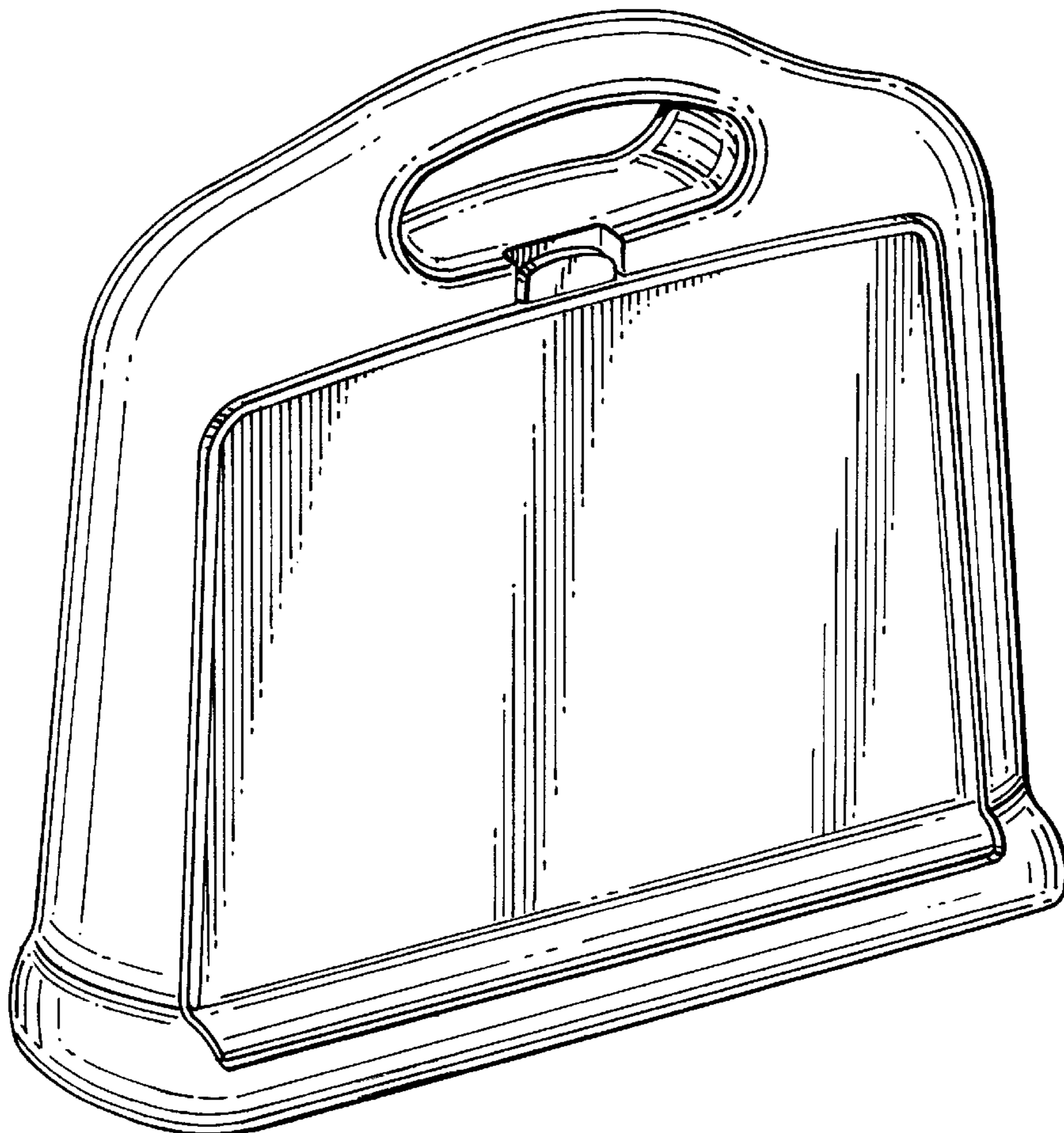
[57] **CLAIM**

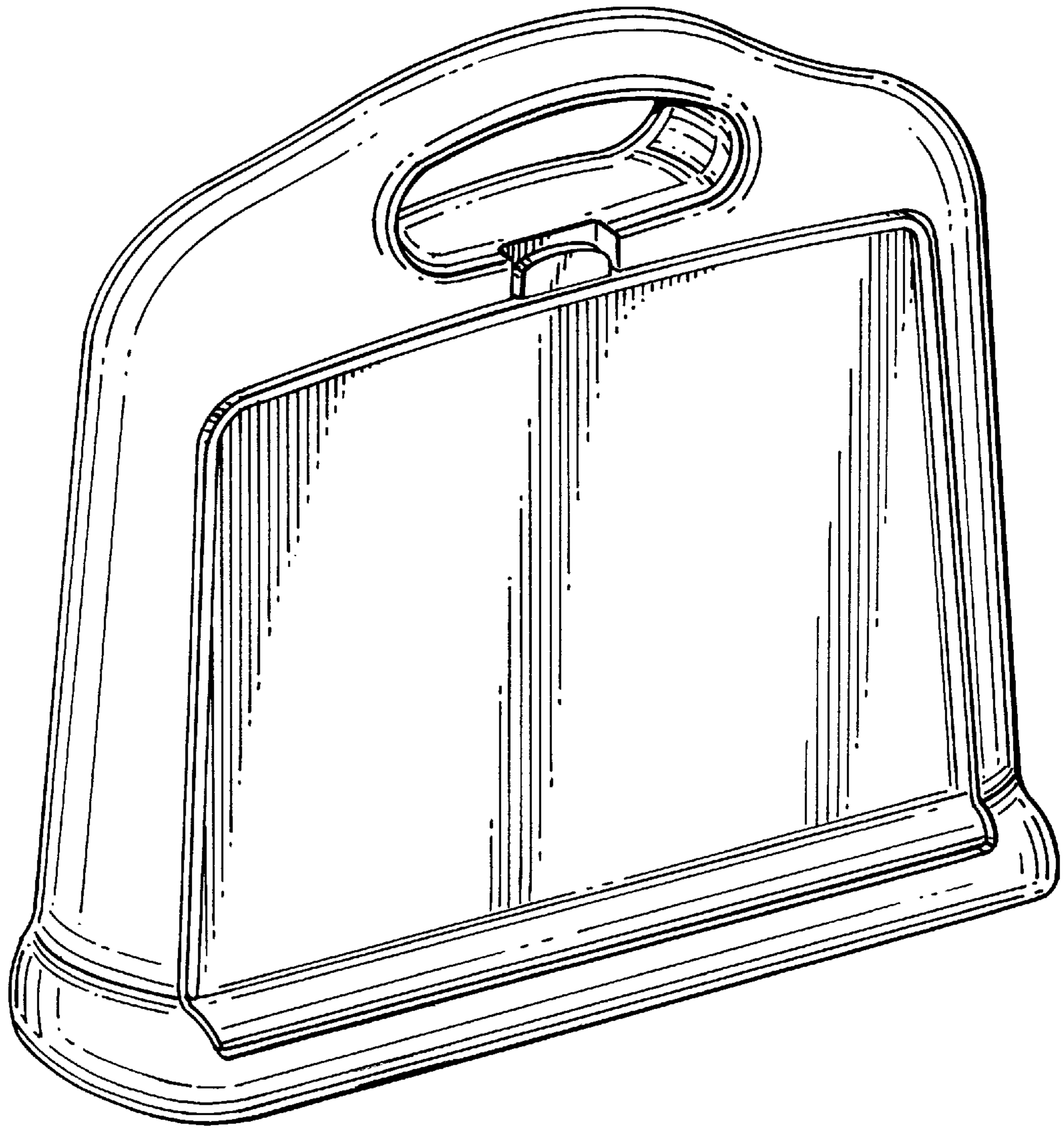
The ornamental design for a storage case, as shown and described.

**DESCRIPTION**

FIG. 1 is a front, top, left side perspective view of a storage case showing our new design;  
FIG. 2 is a front elevational view thereof, the rear elevational view being identical to FIG. 2;  
FIG. 3 is a top plan view thereof;  
FIG. 4 is a right side elevational view thereof, the left side elevational view being identical to FIG. 4; and,  
FIG. 5 is a bottom plan view thereof.

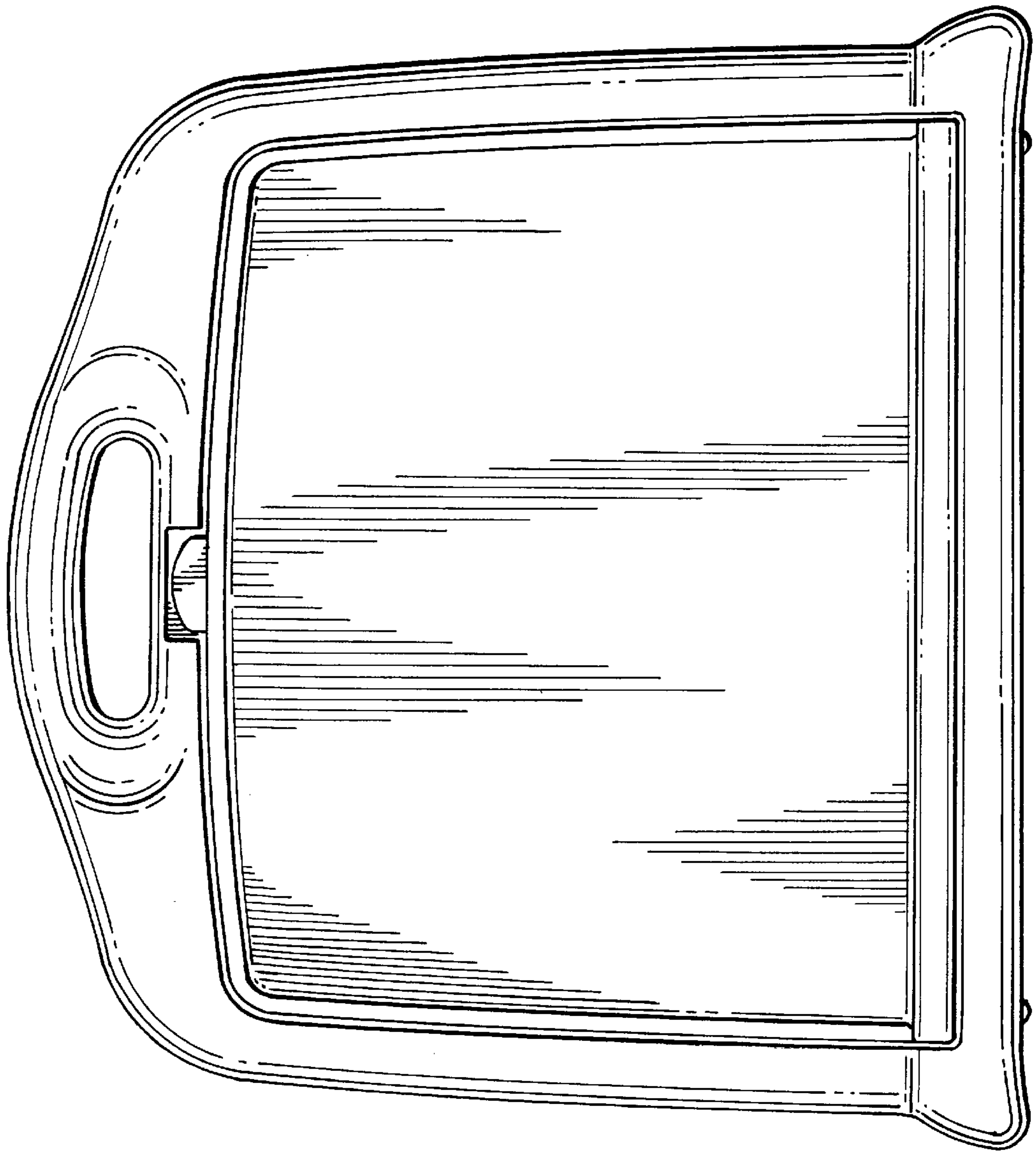
**1 Claim, 4 Drawing Sheets**

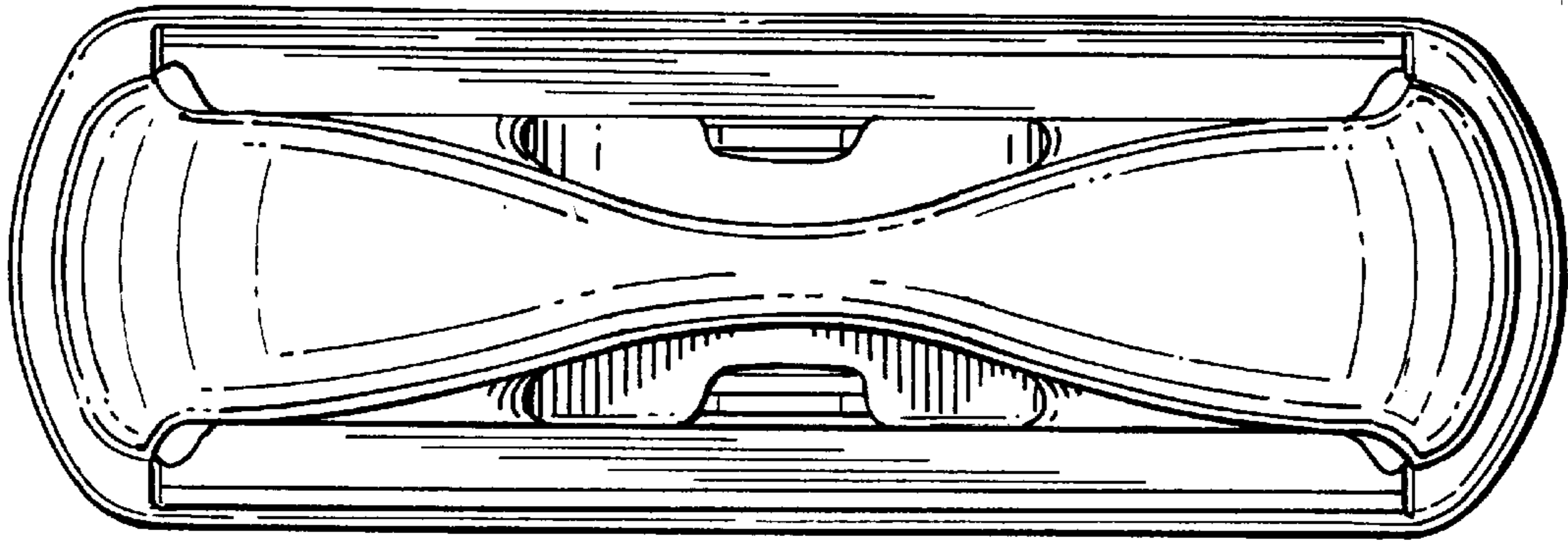




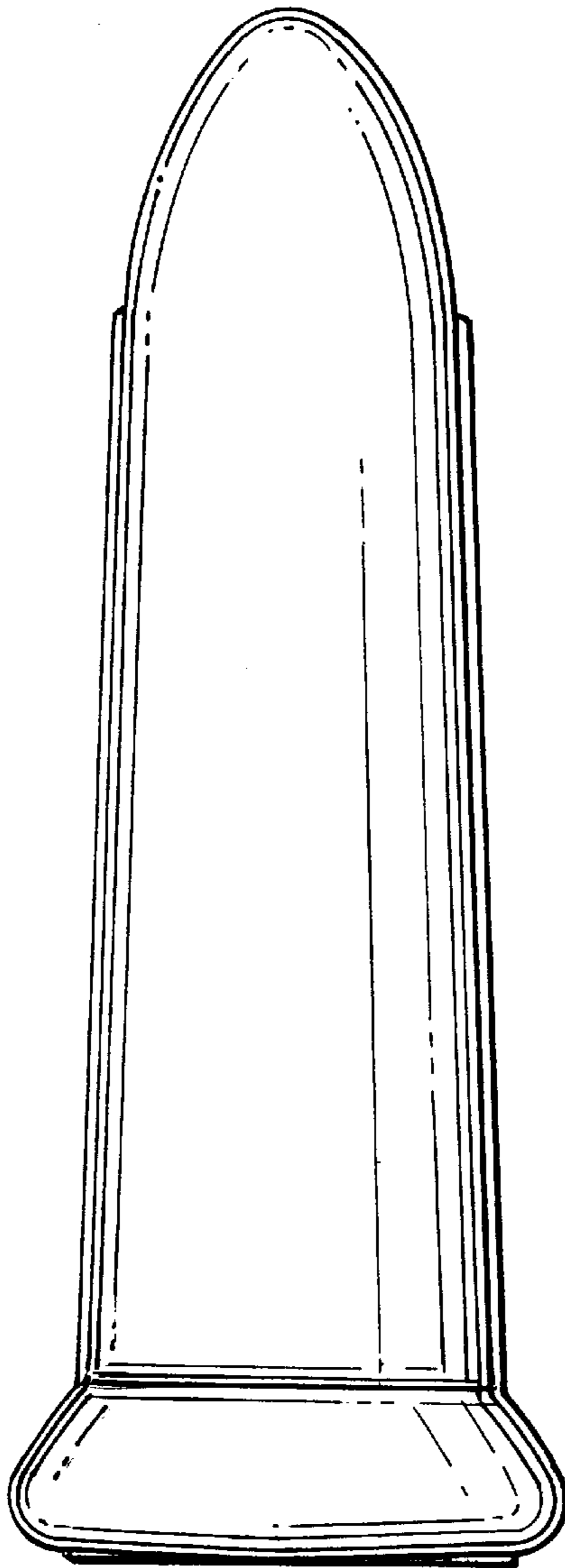
*FIG. 1*

FIG. 2





*FIG. 3*



*FIG. 4*

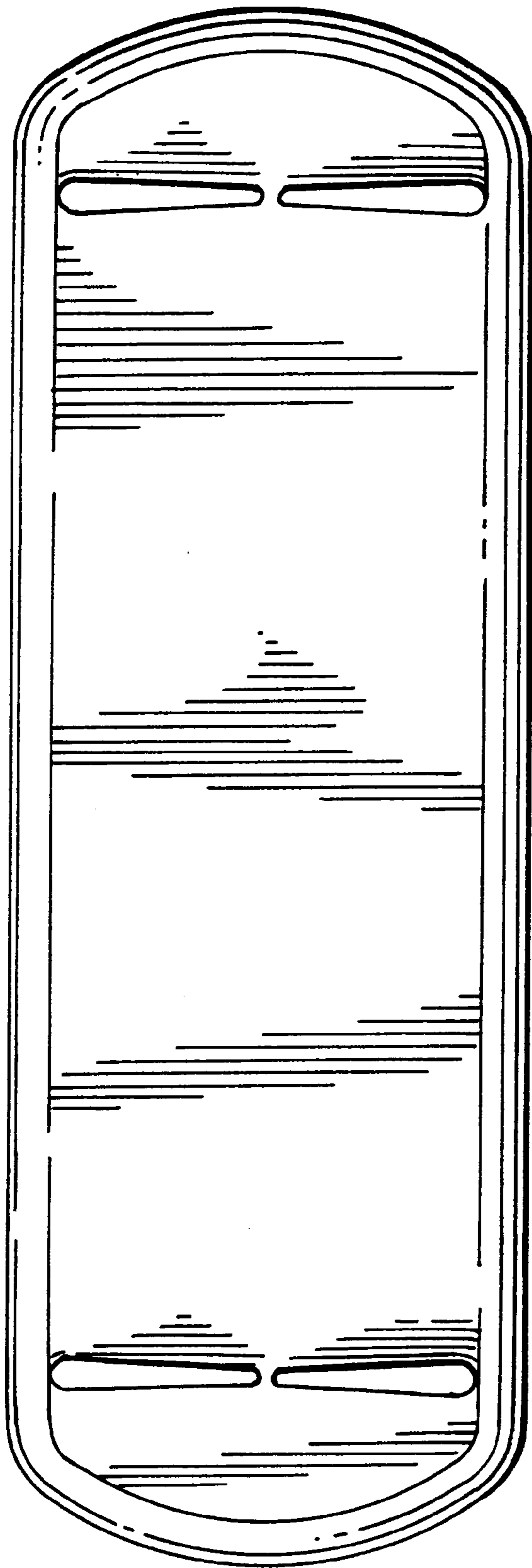


FIG. 5