



US00D409813S

United States Patent [19]

[11] **Patent Number: Des. 409,813**

Tisbo et al.

[45] **Date of Patent: ** May 11, 1999**

[54] **PORTABLE HOSE REEL CART WITH GUIDE**

D. 349,039 7/1994 Goodman et al. D8/359
D. 352,149 11/1994 Nelson et al. D8/359 X

[75] Inventors: **Thomas A. Tisbo**, Barrington Hills; **Torrence C. Anderson**, Aurora; **Brian R. Moon**, Dekalb; **Michael G. Uffner**, Naperville; **Michael R. Vogler**, Aurora, all of Ill.

Primary Examiner—Holly Baynham
Attorney, Agent, or Firm—Welsh & Katz, Ltd.

[73] Assignee: **Suncast Corporation**, Batavia, Ill.

[57] **CLAIM**

The ornamental design for a portable hose reel cart with guide, as shown.

[**] Term: **14 Years**

DESCRIPTION

[21] Appl. No.: **29/096,382**

FIG. 1 is a front perspective view of the portable hose reel cart with guide in accordance with the principles of the present invention;

[22] Filed: **Nov. 12, 1998**

FIG. 2 is a front view of the hose reel cart of FIG. 1;

[51] **LOC (6) Cl.** **12-02**

[52] **U.S. Cl.** **D34/24; D8/359**

FIG. 3 is a rear view of the hose reel cart of FIG. 1;

[58] **Field of Search** D8/359; D34/24, D34/26; 242/355.27, 355.16

FIG. 4 is a side view of the hose reel cart of FIG. 1, as viewed from the right-hand side thereof;

FIG. 5 is a side view of the hose reel cart of FIG. 1, as viewed from the left-hand side thereof;

[56] **References Cited**

FIG. 6 is a top view of the hose reel cart of FIG. 1; and,

FIG. 7 is a bottom view of the hose reel cart of FIG. 1.

U.S. PATENT DOCUMENTS

D. 328,173 7/1992 Nelson D8/359 X

1 Claim, 6 Drawing Sheets

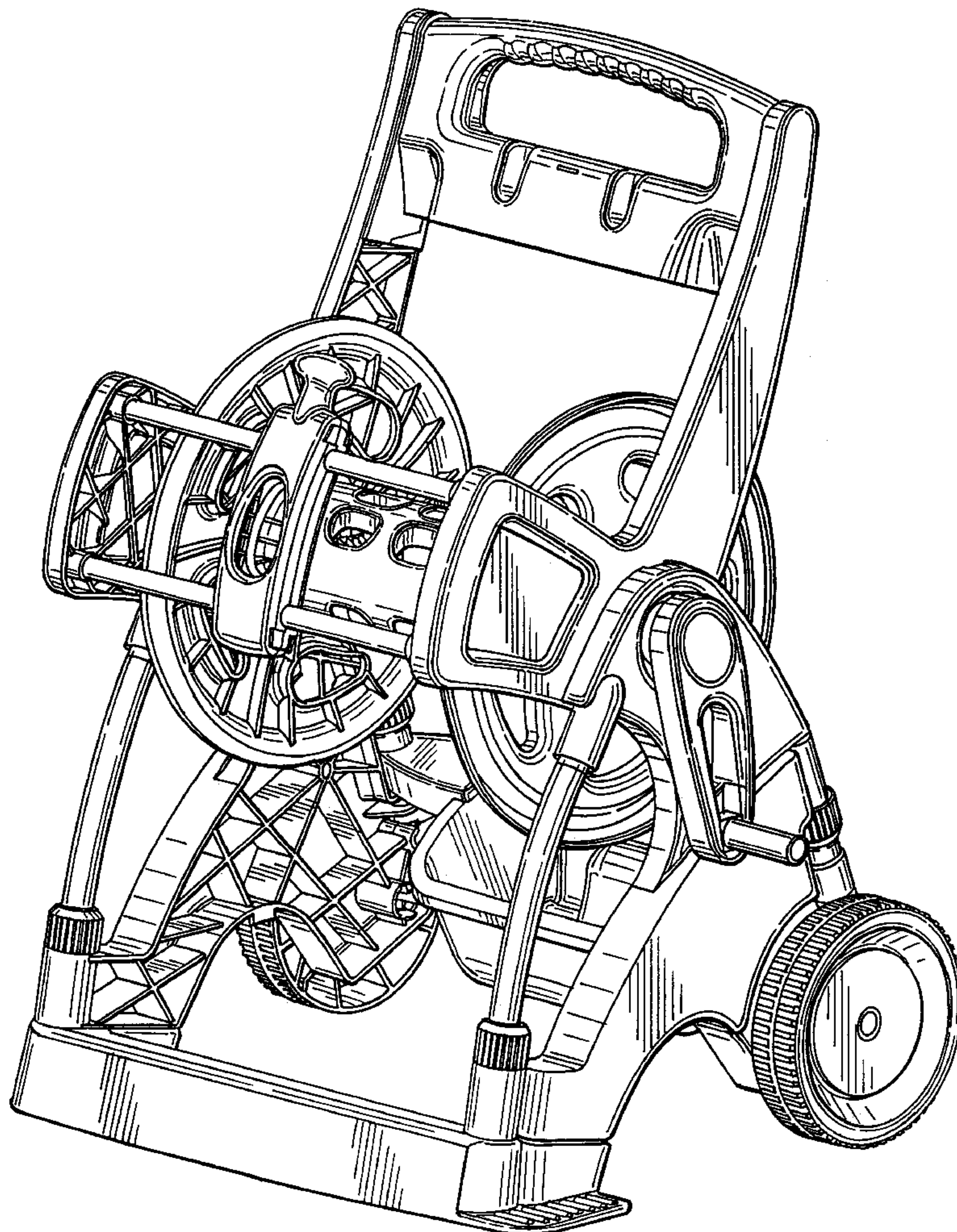


FIG. 1

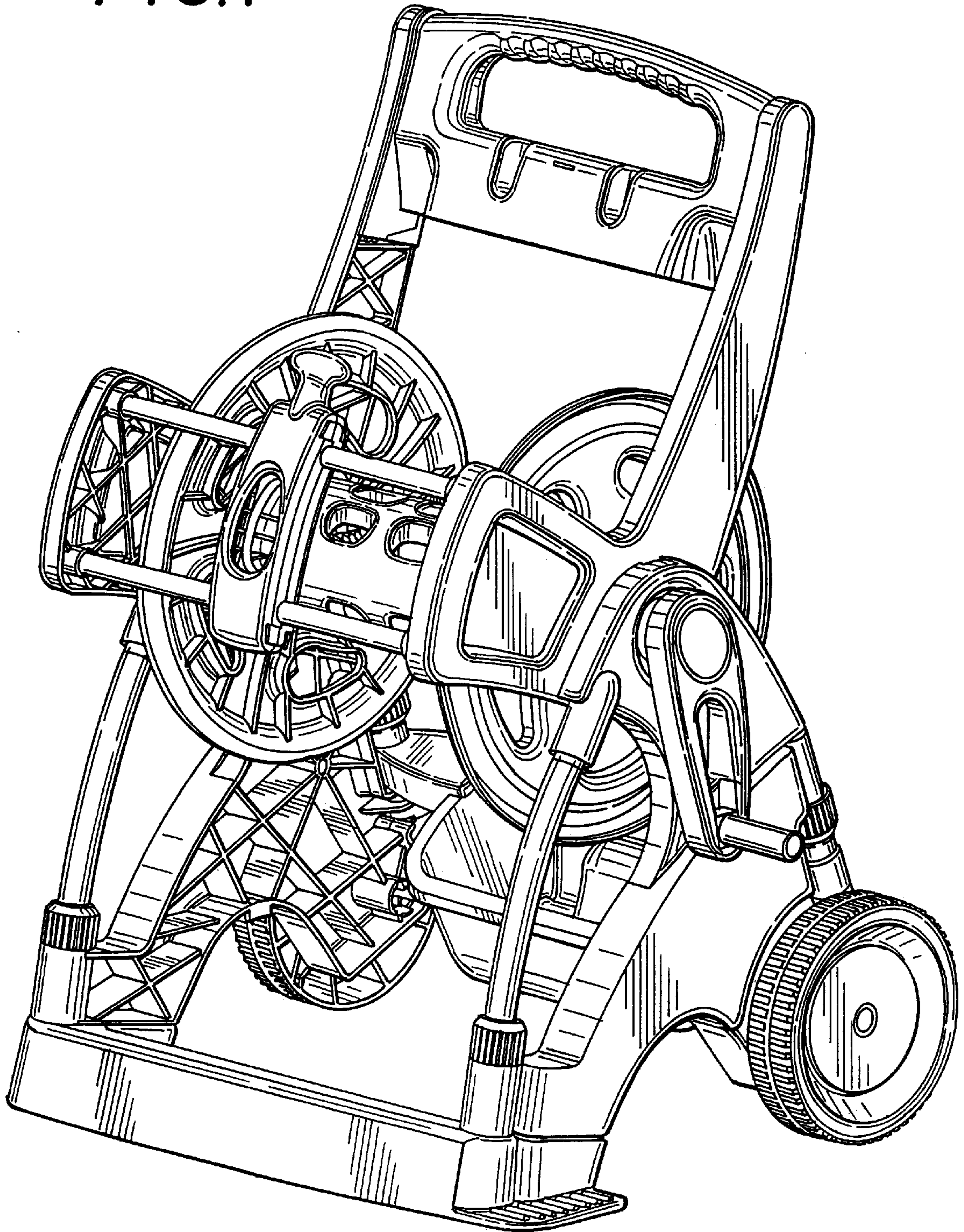


FIG. 2

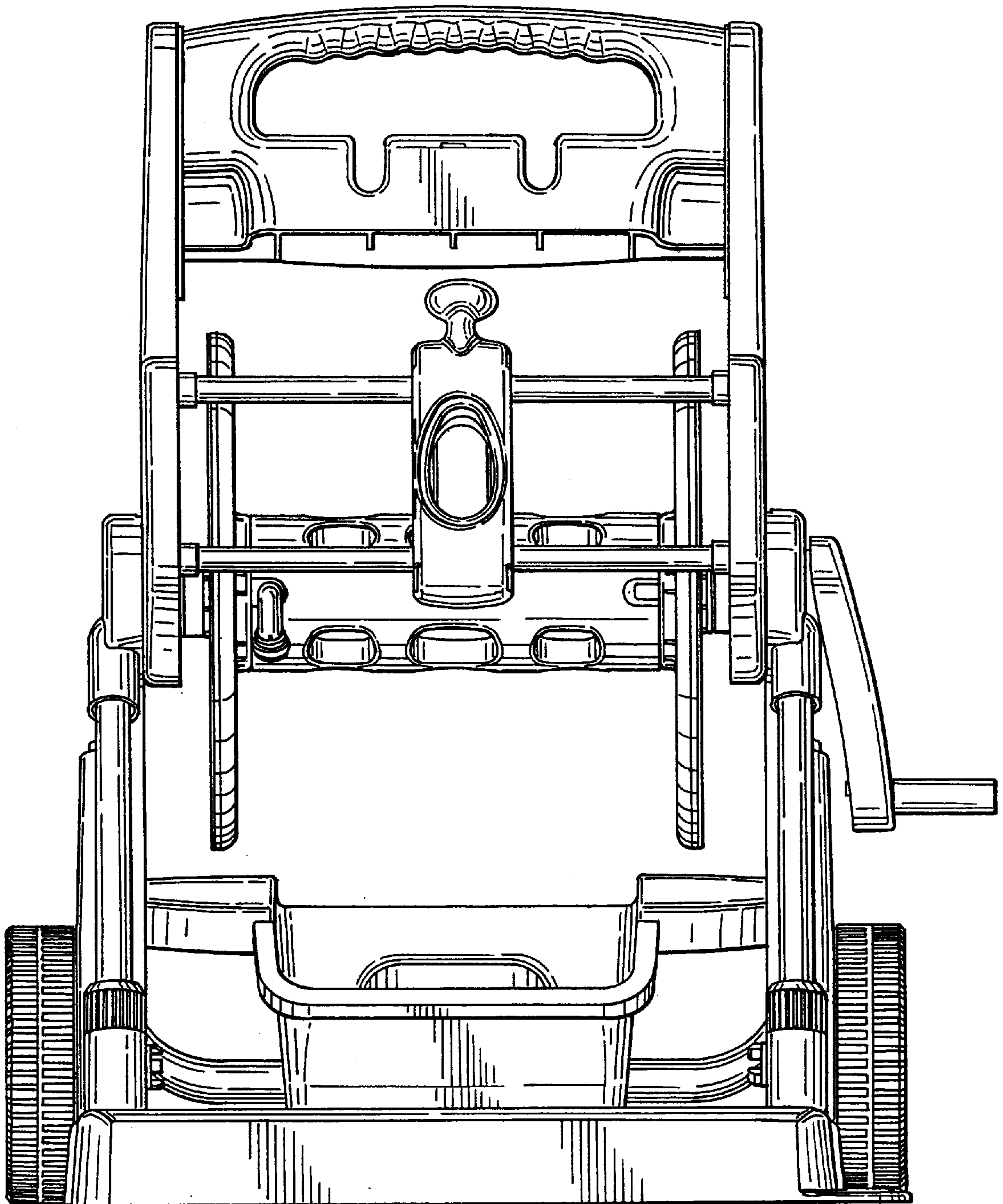


FIG. 3

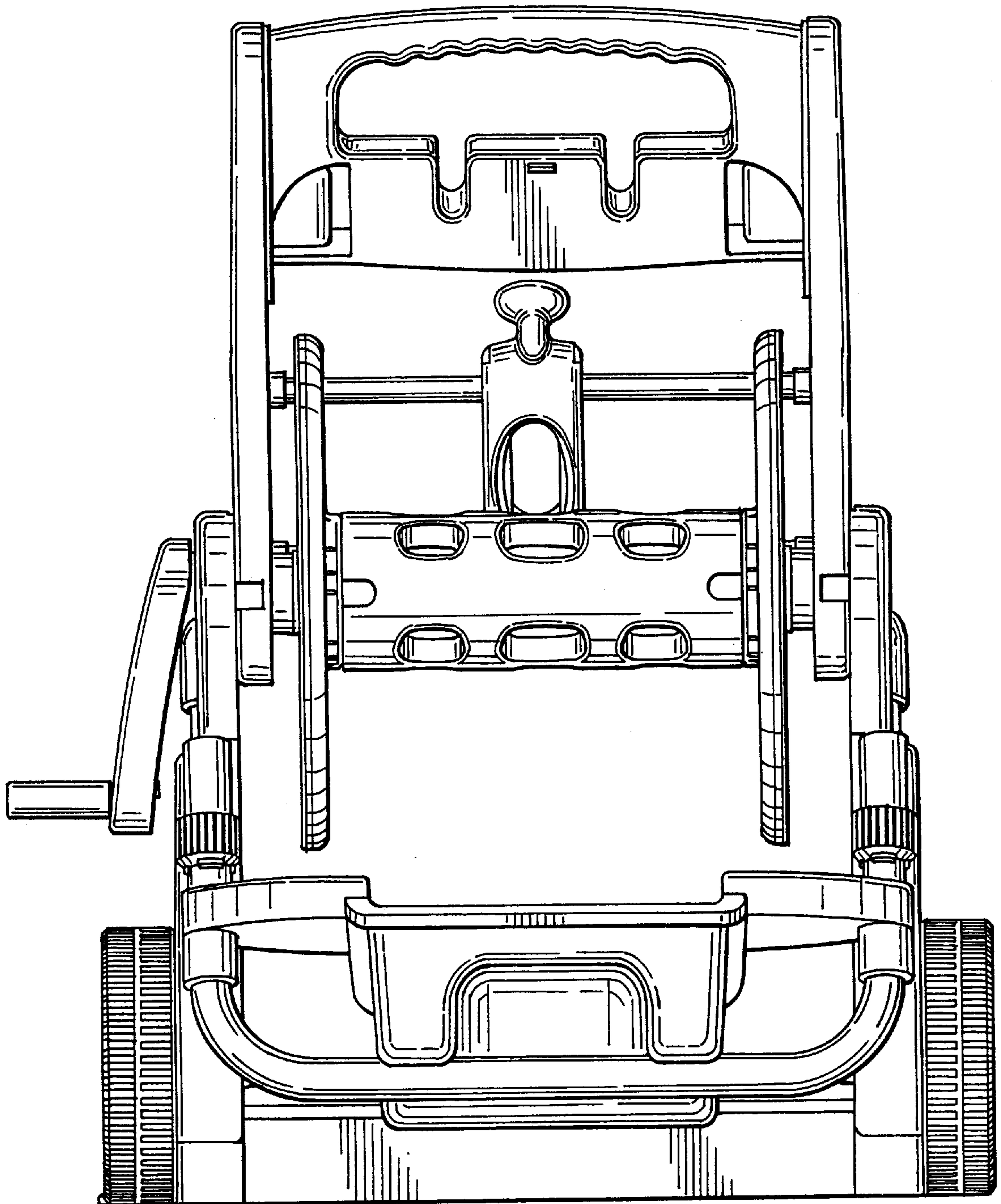


FIG. 4

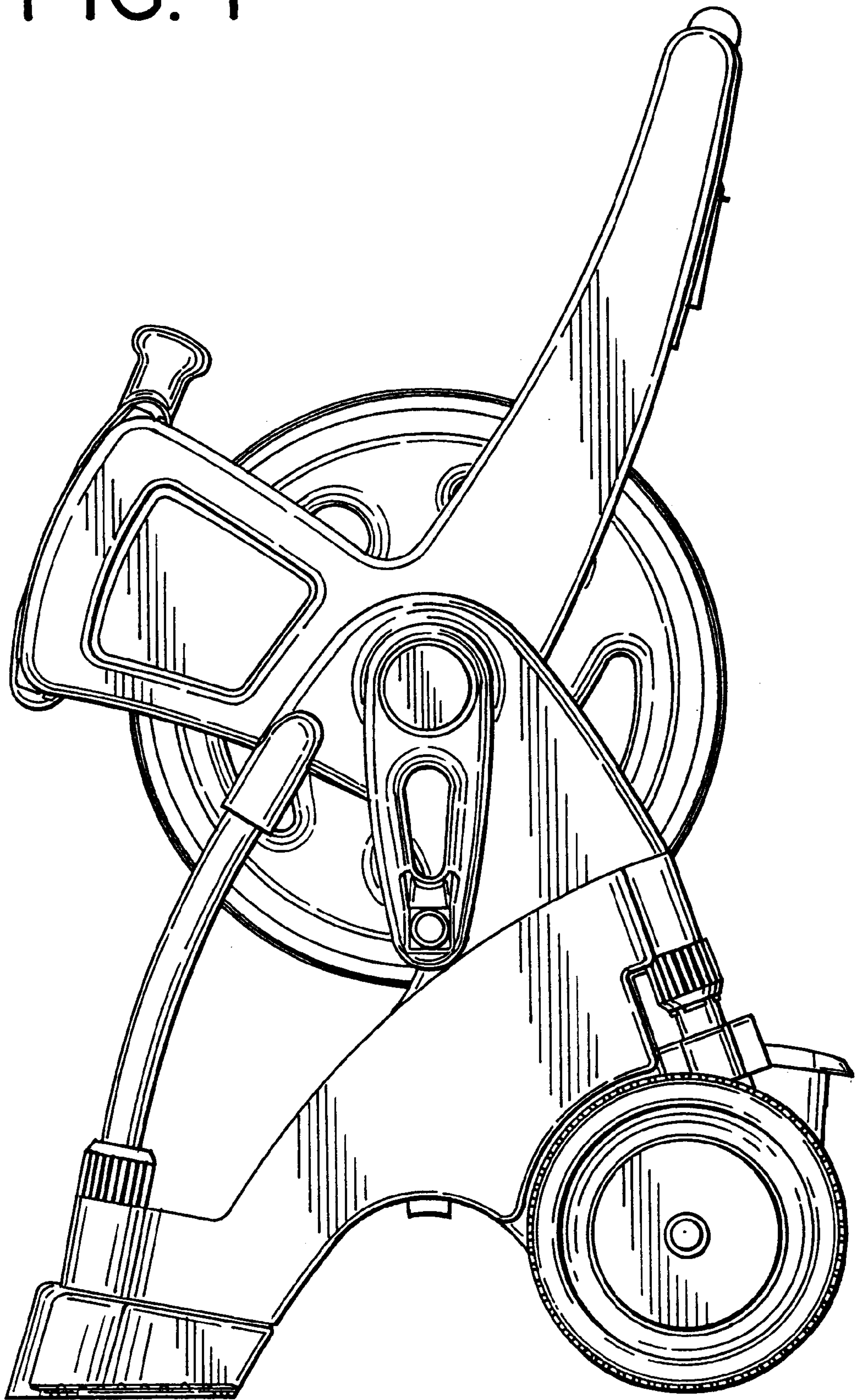


FIG. 5

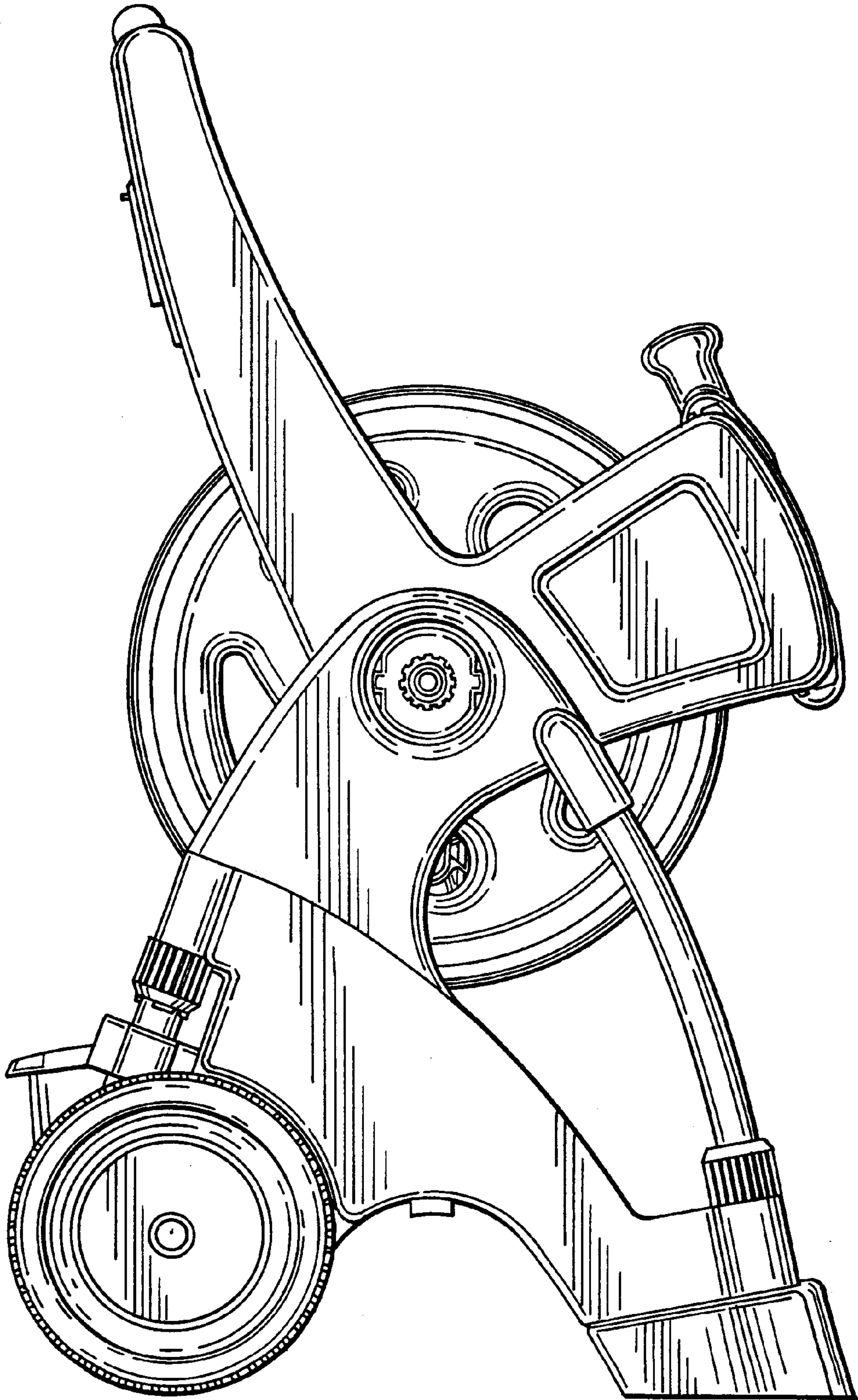


FIG. 6

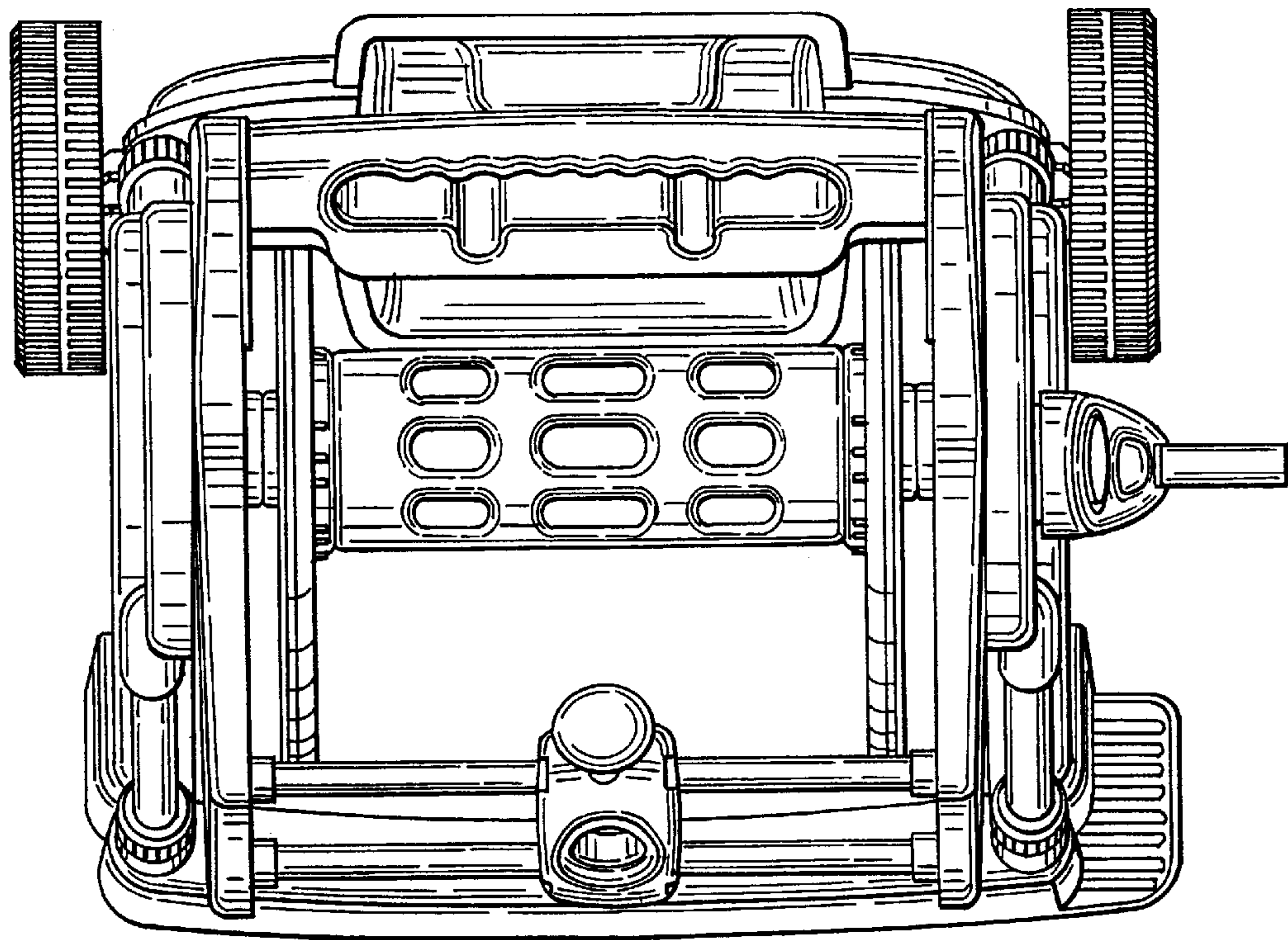


FIG. 7

