



US00D409812S

# United States Patent [19]

Lindblom et al.

[11] Patent Number: **Des. 409,812**

[45] Date of Patent: **\*\* May 11, 1999**

[54] **CART**

[75] Inventors: **Christian Lindblom; Håkan Lindblom**, both of Kungsängen; **Joachim Adolfsson**, Solna, all of Sweden

[73] Assignee: **Kingsfield Design AB**, Kungsängen, Sweden

[\*\*] Term: **14 Years**

[21] Appl. No.: **29/075,186**

[22] Filed: **Aug. 22, 1997**

[30] **Foreign Application Priority Data**  
 Feb. 24, 1997 [SE] Sweden ..... 97-0430

[51] **LOC (6) Cl.** ..... **12-02**

[52] **U.S. Cl.** ..... **D34/24**

[58] **Field of Search** ..... D34/12-27; 280/652, 280/655, 47.26, 47.24, 47.29, 47.21, 646, 47.19, 47.18, 645

4,681,341 7/1987 Lai ..... 280/646  
 5,388,854 2/1995 Kappaz ..... 280/652  
 5,439,241 8/1995 Nelson ..... 280/645  
 5,505,471 4/1996 Cheng ..... 280/30

*Primary Examiner*—Kay H. Chin  
*Attorney, Agent, or Firm*—Jacobson, Price, Holman & Stern, PLLC

## [57] CLAIM

The ornamental design for a cart, as shown and described.

## DESCRIPTION

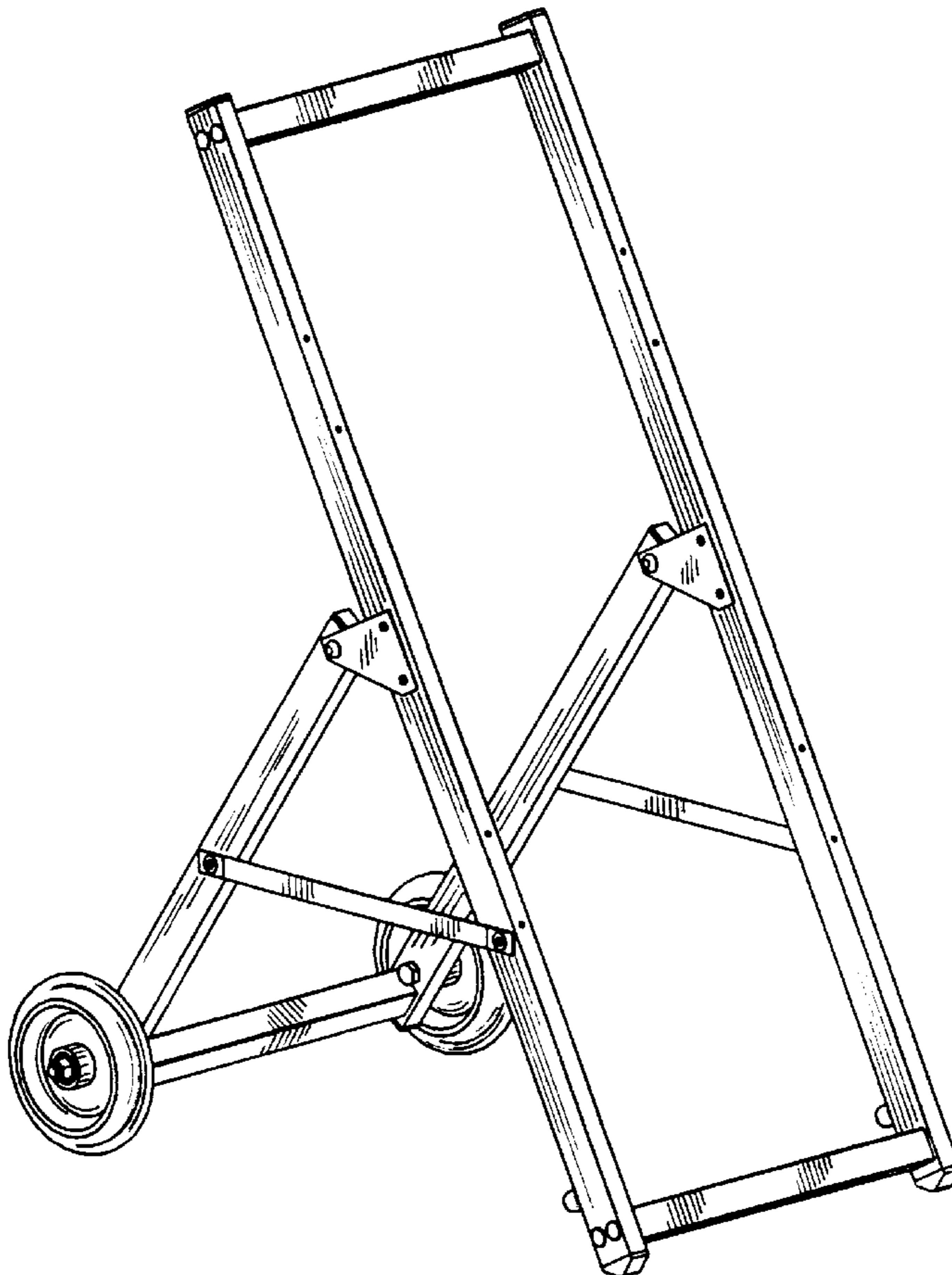
FIG. 1 is a perspective view showing our new design for a cart,  
 FIG. 2 is a bottom plan view thereof;  
 FIG. 3 is a front view thereof;  
 FIG. 4 is a right side view thereof;  
 FIG. 5 is a rear view thereof;  
 FIG. 6 is a left side view thereof; and,  
 FIG. 7 is a top plan view thereof.

## [56] References Cited

### U.S. PATENT DOCUMENTS

D. 365,903 1/1996 Boyle et al. .... D34/15  
 2,507,234 5/1950 Vickery ..... 280/47.24

**1 Claim, 7 Drawing Sheets**



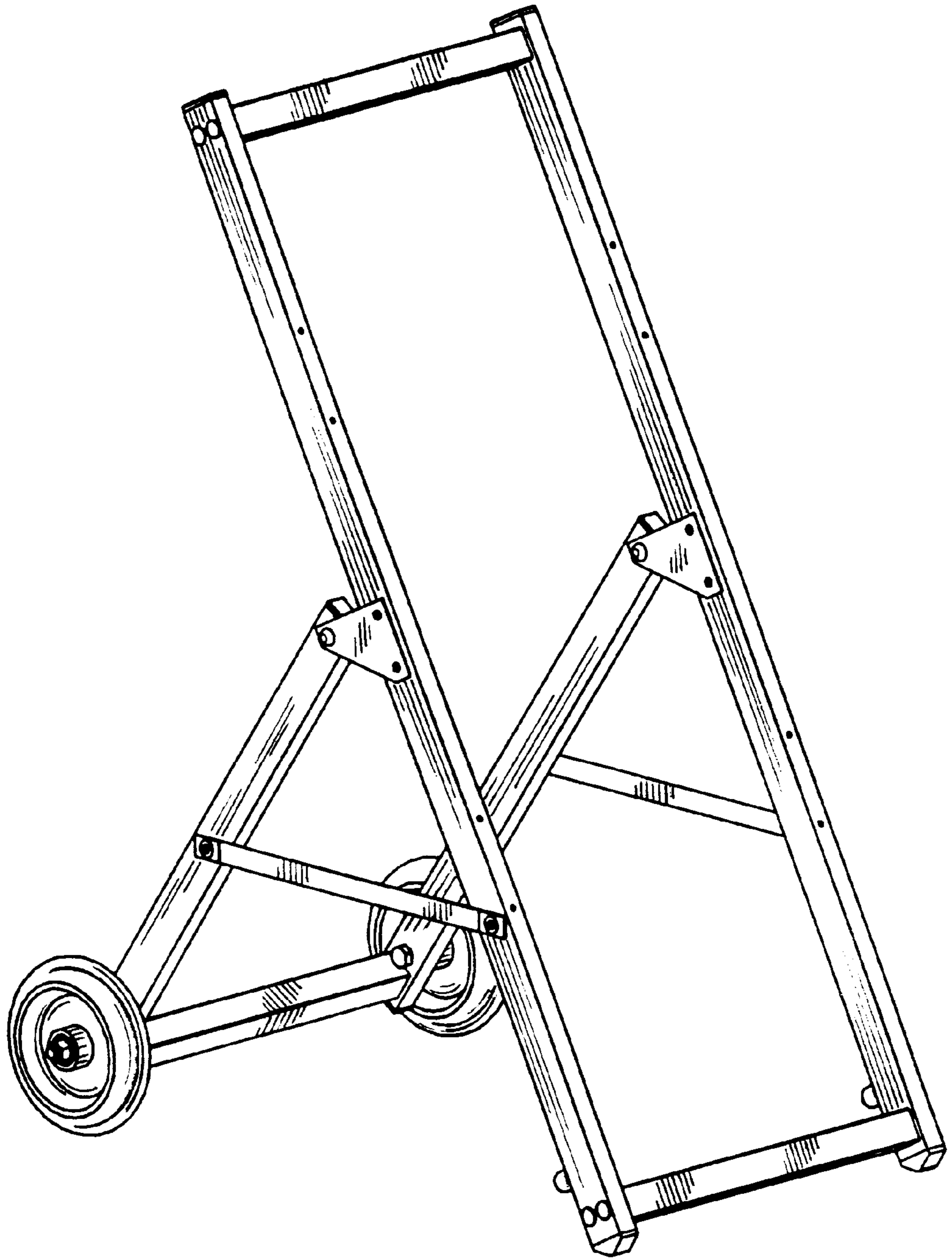


FIG. 1

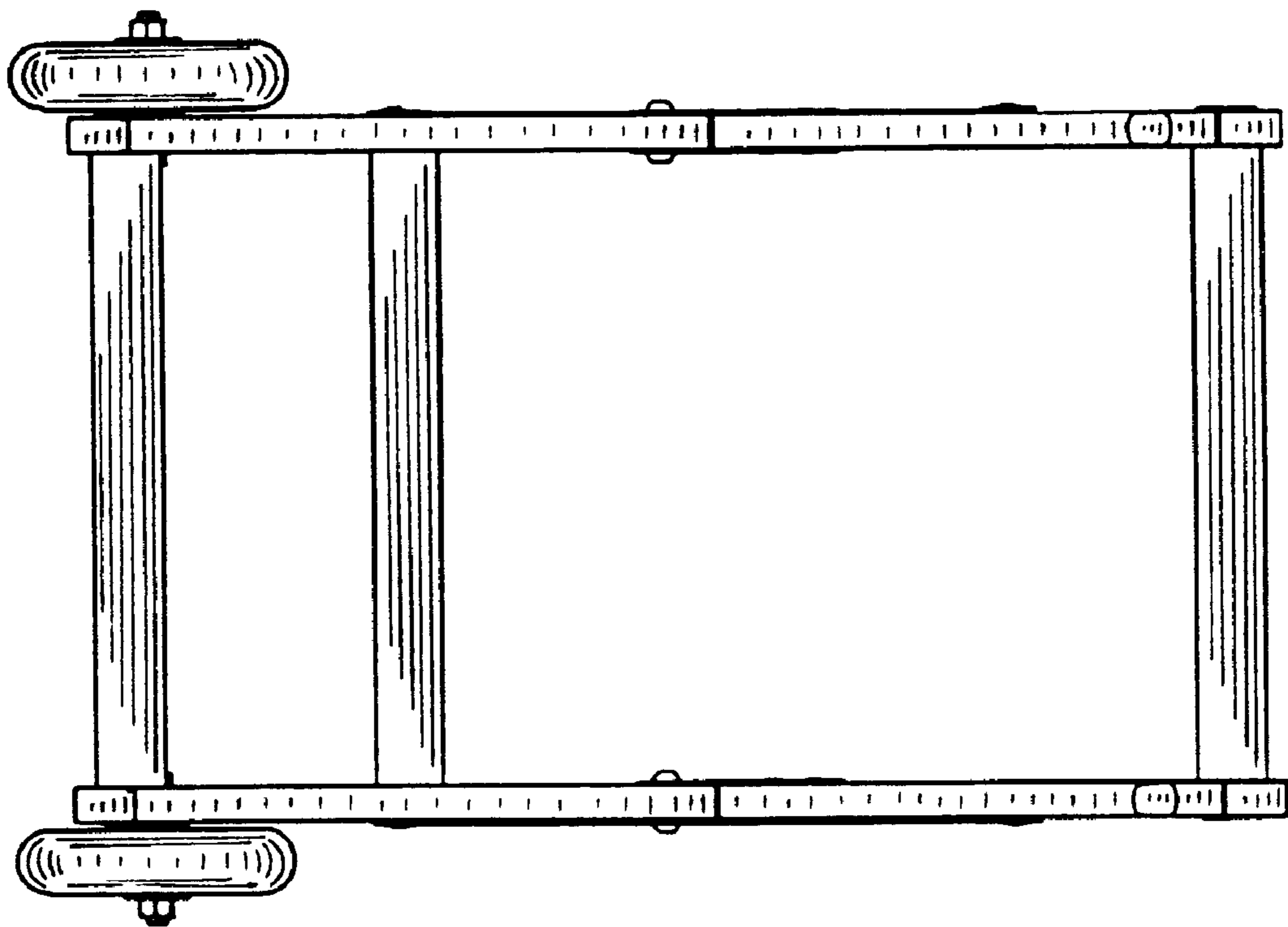


FIG. 2

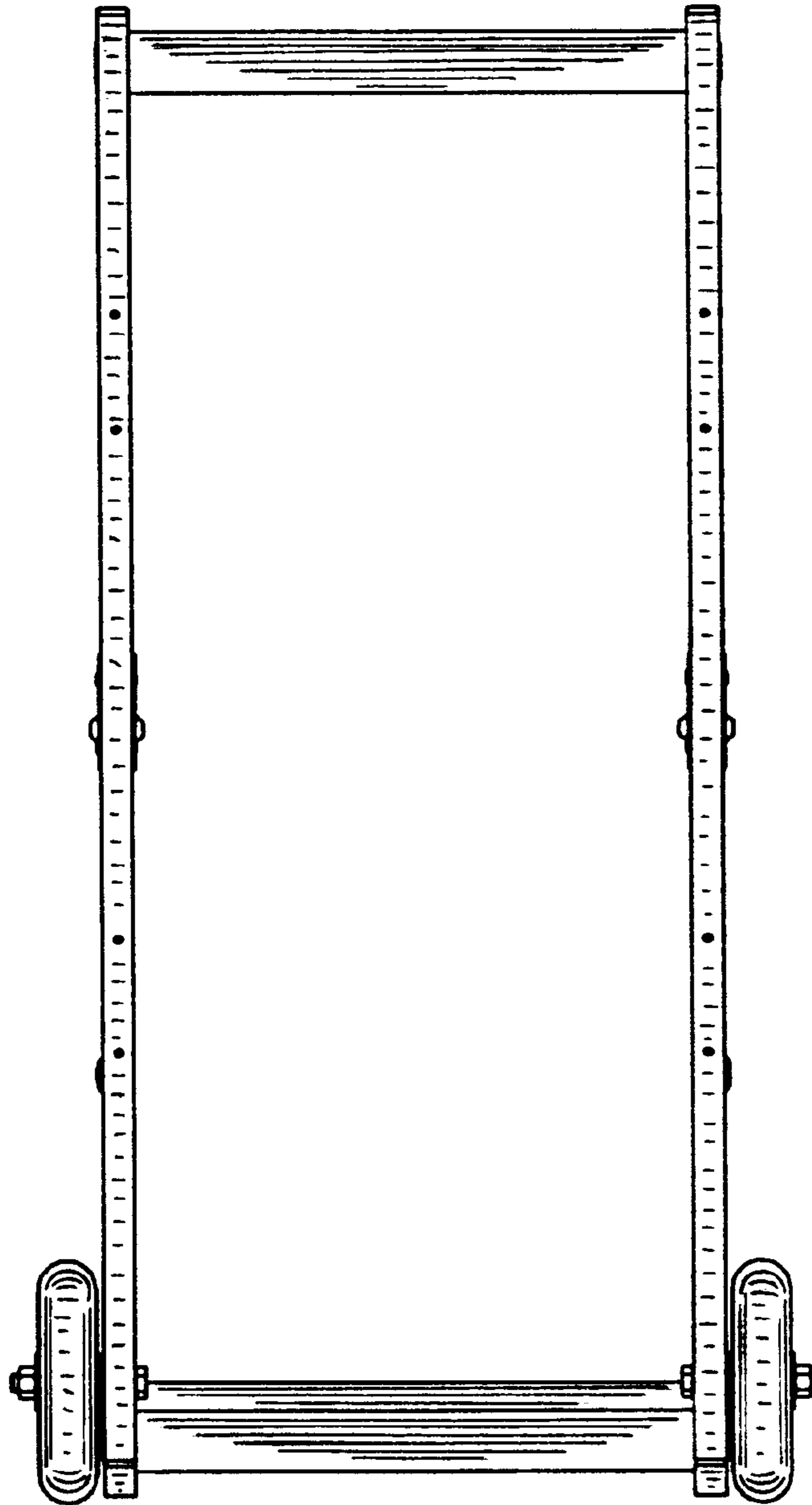


FIG. 3

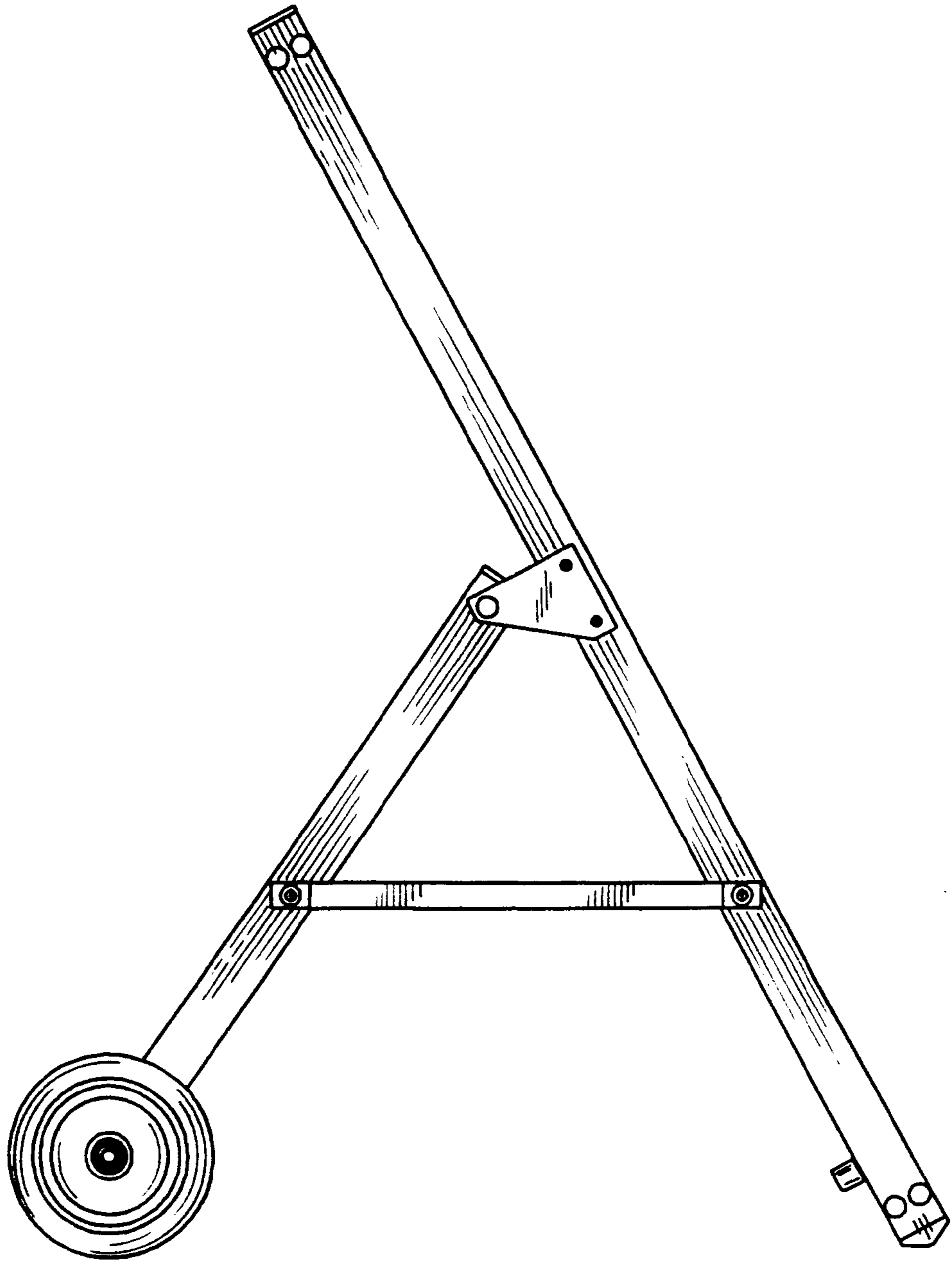


FIG. 4

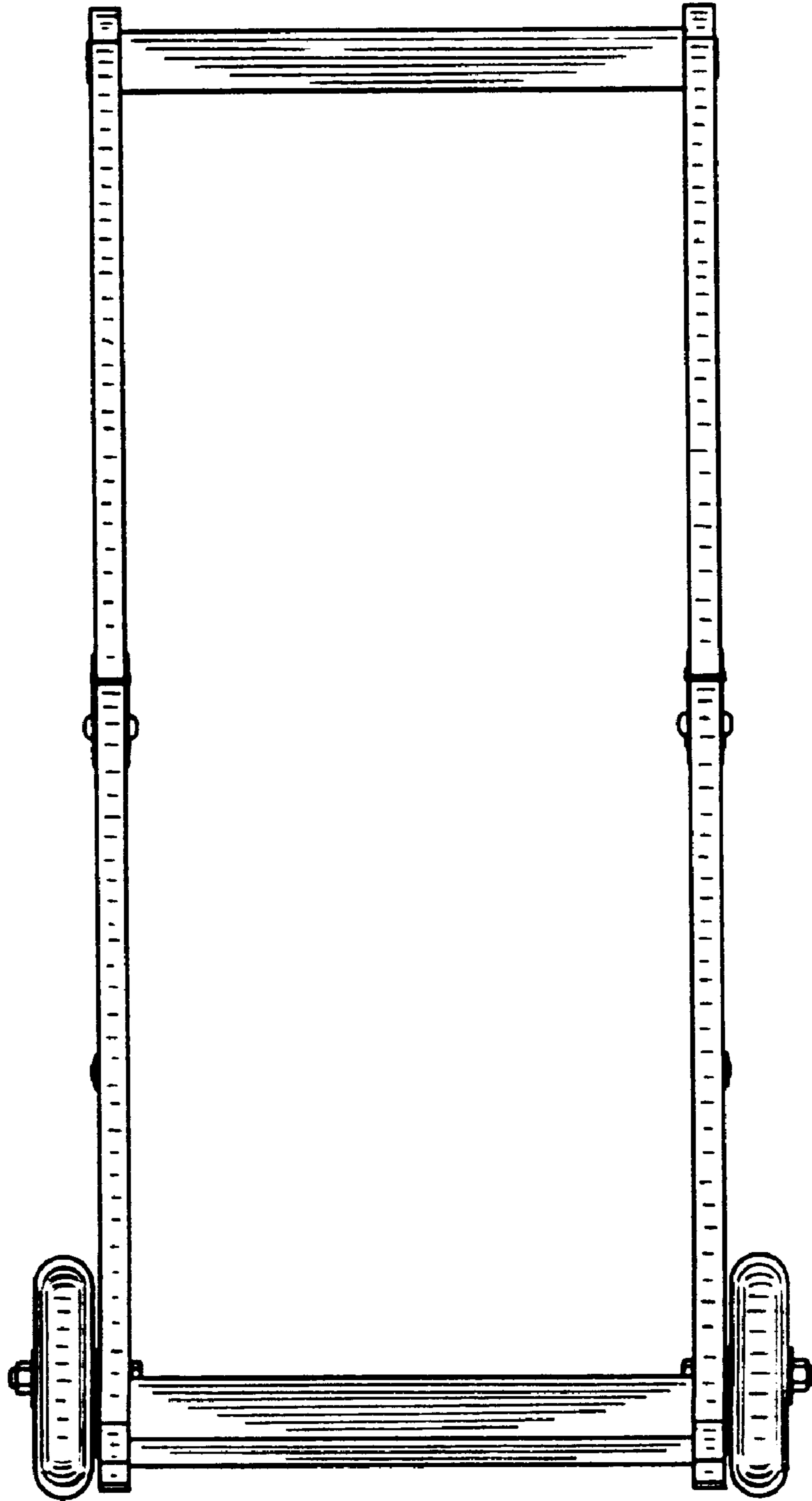


FIG. 5



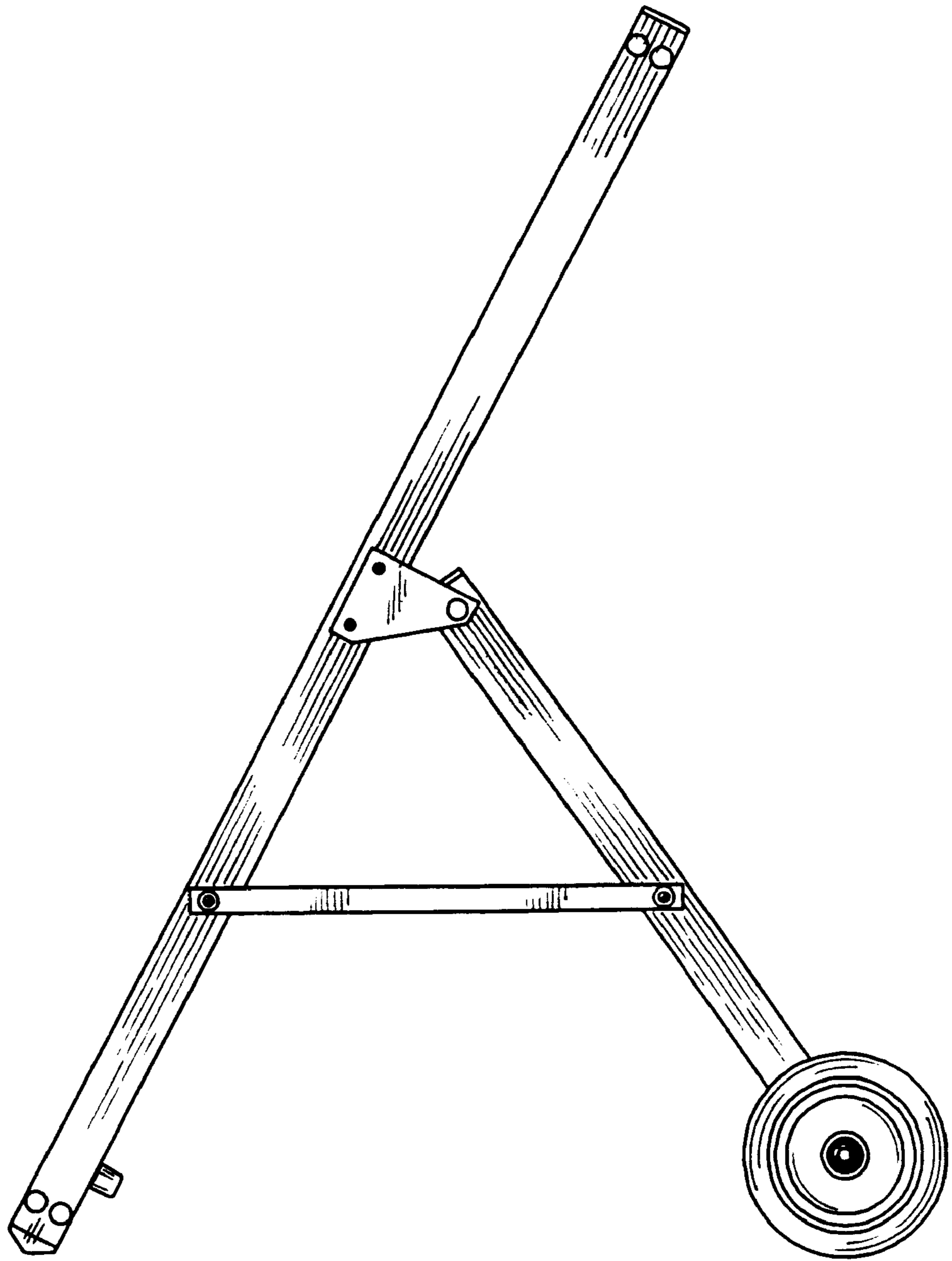


FIG. 6

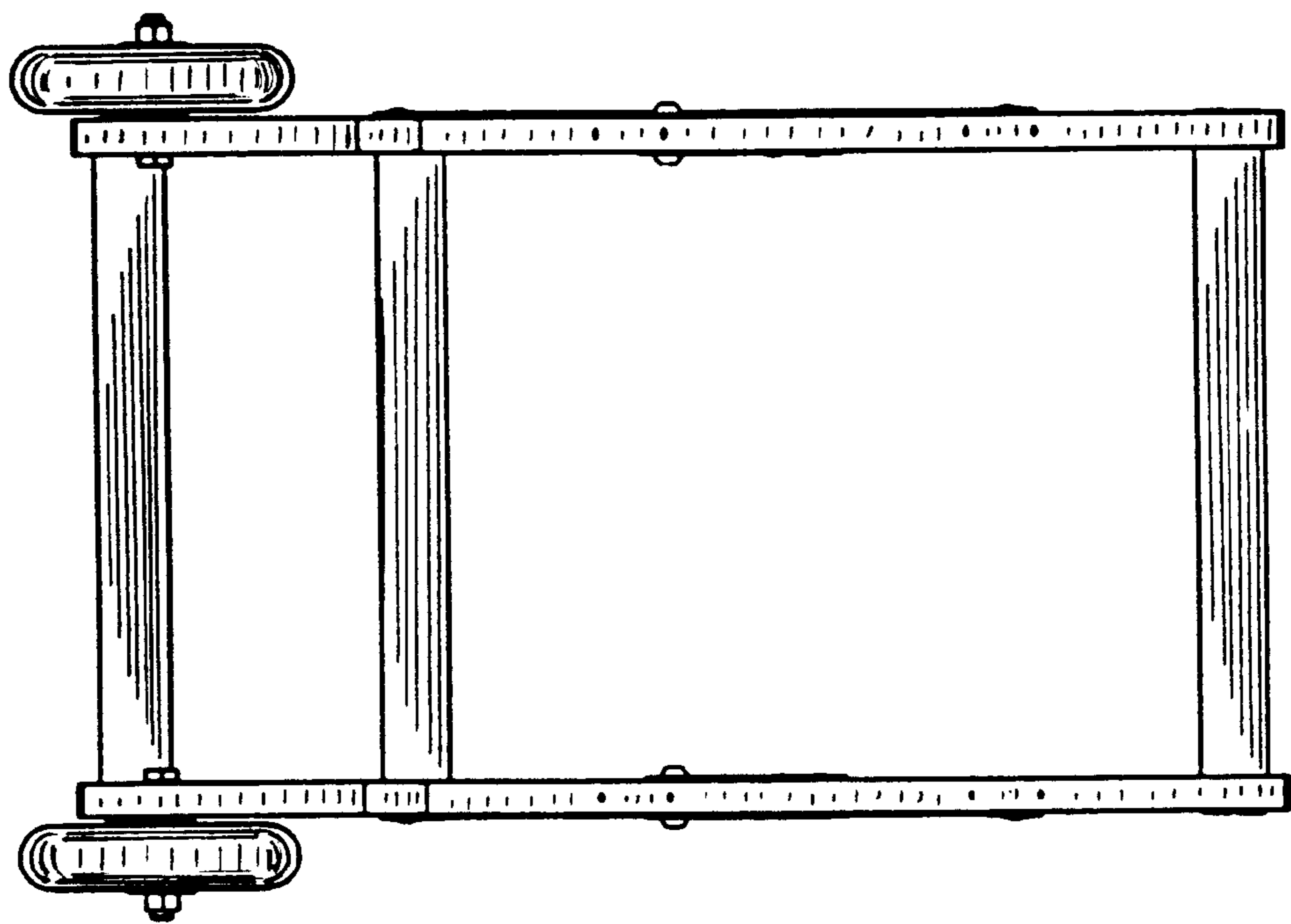


FIG. 7