



US00D409804S

# United States Patent [19]

[11] Patent Number: **Des. 409,804**

Nunes

[45] Date of Patent: **\*\* May 11, 1999**

[54] **ADJUSTABLE LENGTH PET WASTE COLLECTION TOOL WITH REMOVABLE HANDLE**

5,417,044 5/1995 Russo ..... 294/55  
5,536,055 7/1996 Kohn ..... 294/1.3  
5,562,318 10/1996 McBroom ..... 294/1.4

[76] Inventor: **James Nunes**, 1859 Richard Way, #309, Ceres, Calif. 95307

*Primary Examiner*—Cathy Anne MacCormac  
*Attorney, Agent, or Firm*—Heisler & Associates

[\*\*] Term: **14 Years**

### [57] CLAIM

[21] Appl. No.: **29/073,524**

The ornamental design for an adjustable length pet waste collection tool, as shown and described.

[22] Filed: **Jul. 14, 1997**

### DESCRIPTION

[51] **LOC (6) Cl.** ..... **30-99**

[52] **U.S. Cl.** ..... **D30/162; D8/13**

[58] **Field of Search** ..... D30/162; 294/1.3, 294/1.4, 55, 99.1, 99.2, 118-119; 119/801, 795, 858; 248/101; D7/687, 686; D8/10, 13

FIG.1 is a front view of an adjustable length pet waste collection tool with removable handle showing my new design;

FIG. 2 is a left side view thereof, it being understood that the right side is a mirror image;

FIG. 3 is a rear view thereof;

FIG. 4 is a top view thereof;

FIG. 5 is a bottom view thereof;

FIG. 6 is a perspective view thereof in position for use outdoors; and,

FIG. 7 is another perspective view thereof in position to clean a litter box with the top two sections of the handle and tightening devices removed.

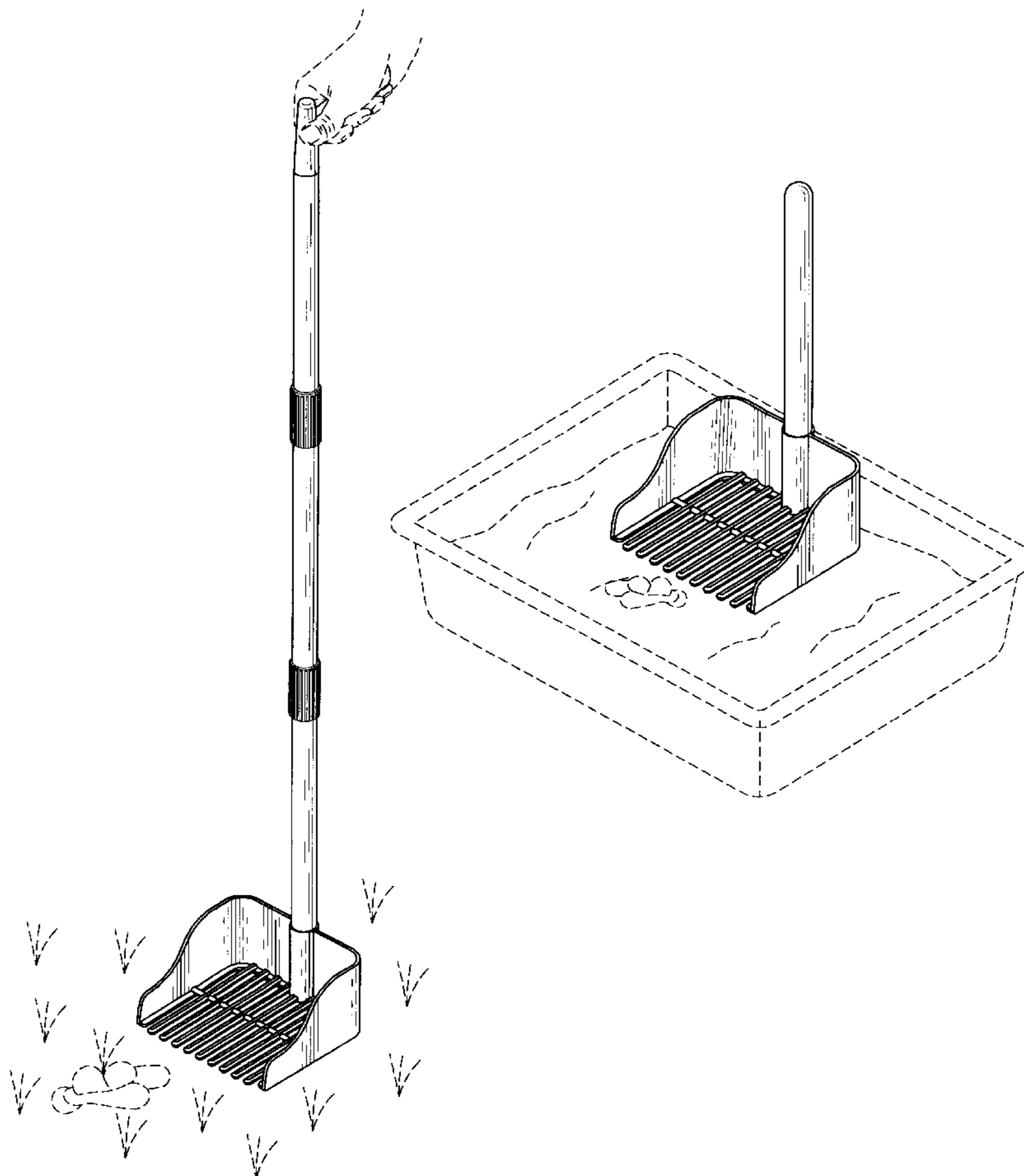
The broken lines in FIGS. 6 and 7 are for purposes of illustration only and form no part of the claimed design.

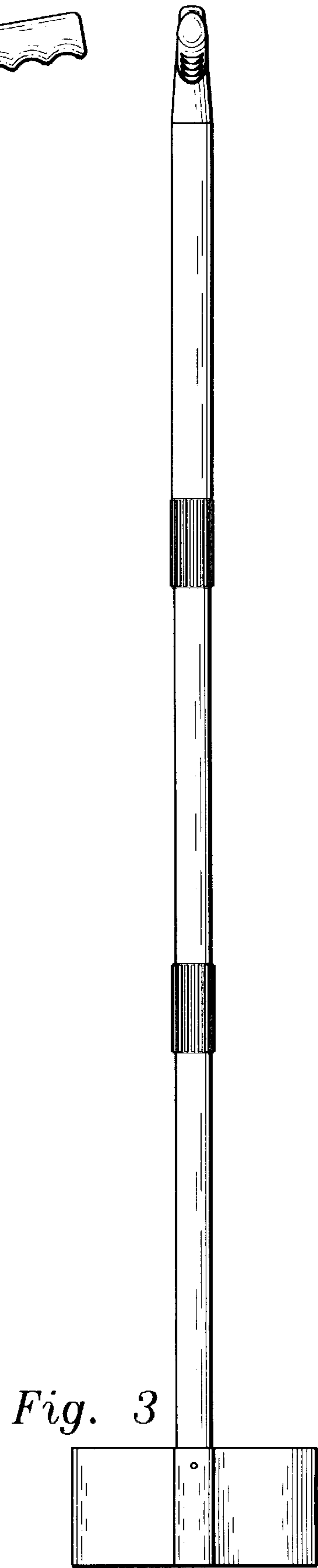
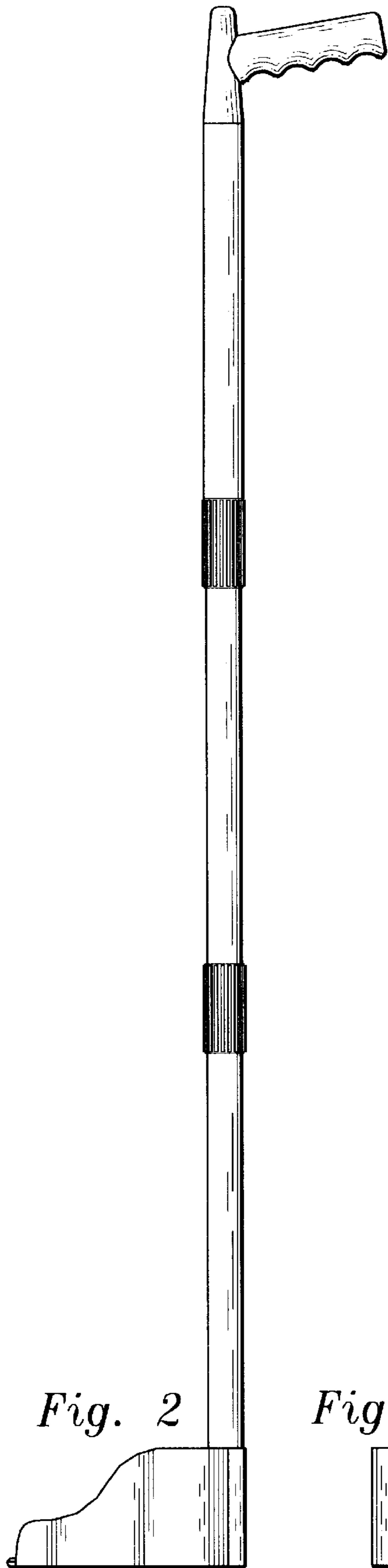
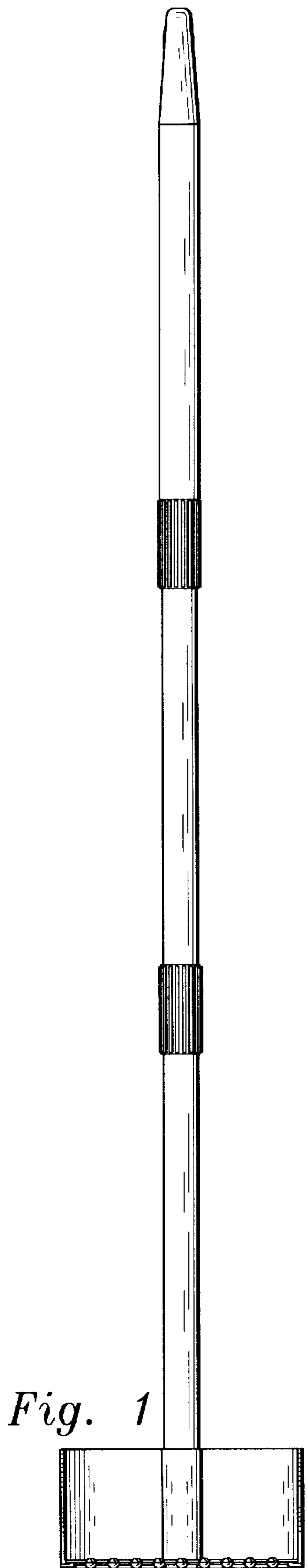
### [56] References Cited

#### U.S. PATENT DOCUMENTS

D. 209,660	12/1967	Lind	.....	D30/162
D. 269,129	5/1983	Manfre	.....	D30/162
D. 316,315	4/1991	Elrod	.....	D30/162
D. 381,778	7/1997	Semo	.....	D30/162
3,310,332	3/1967	Nelson	.....	294/55
3,868,135	2/1975	Magliaro	.....	D30/162
3,879,079	4/1975	Nicholas	.....	294/118
4,316,627	2/1982	Solya	.....	294/55

**1 Claim, 2 Drawing Sheets**





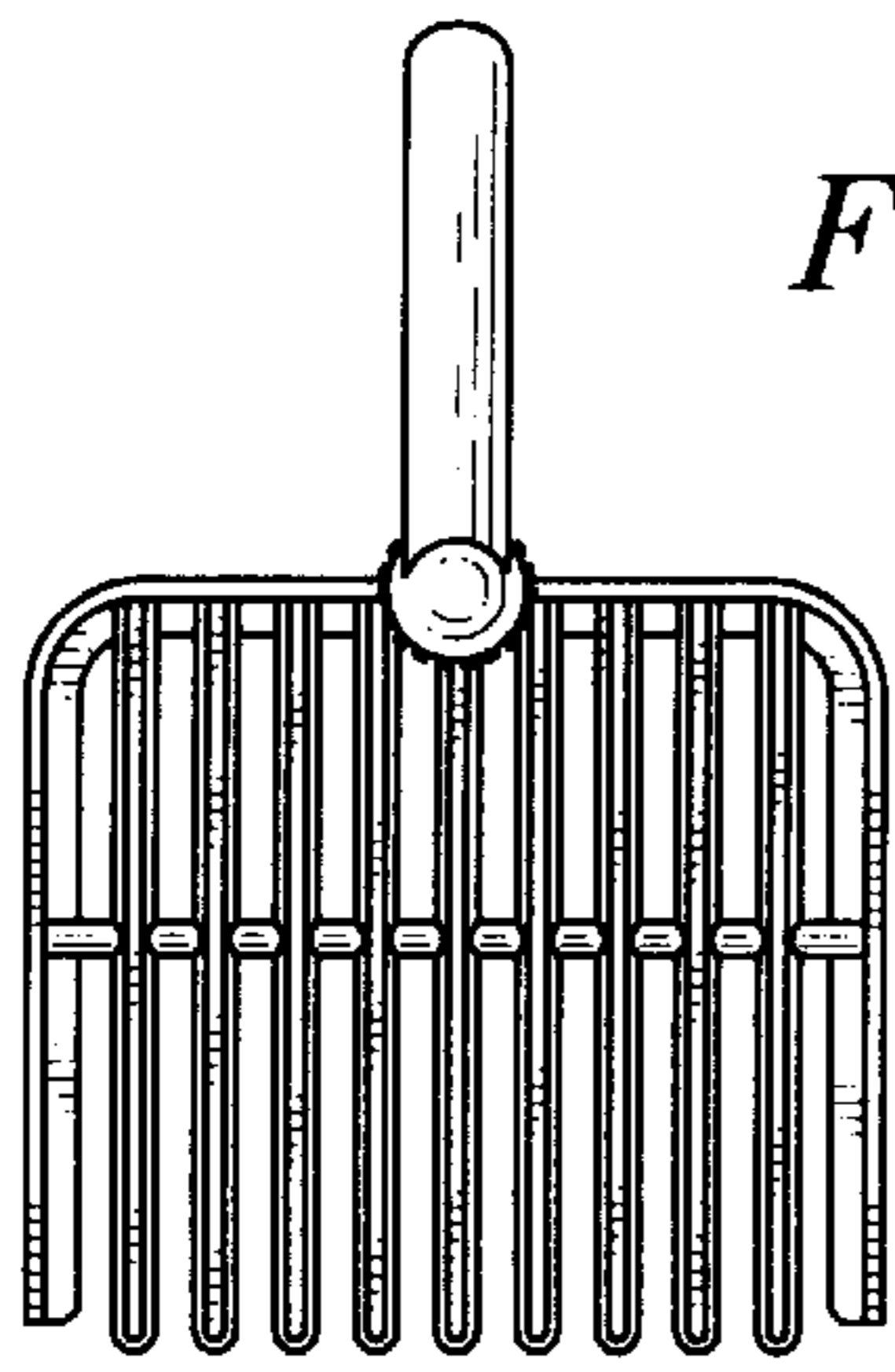


Fig. 4

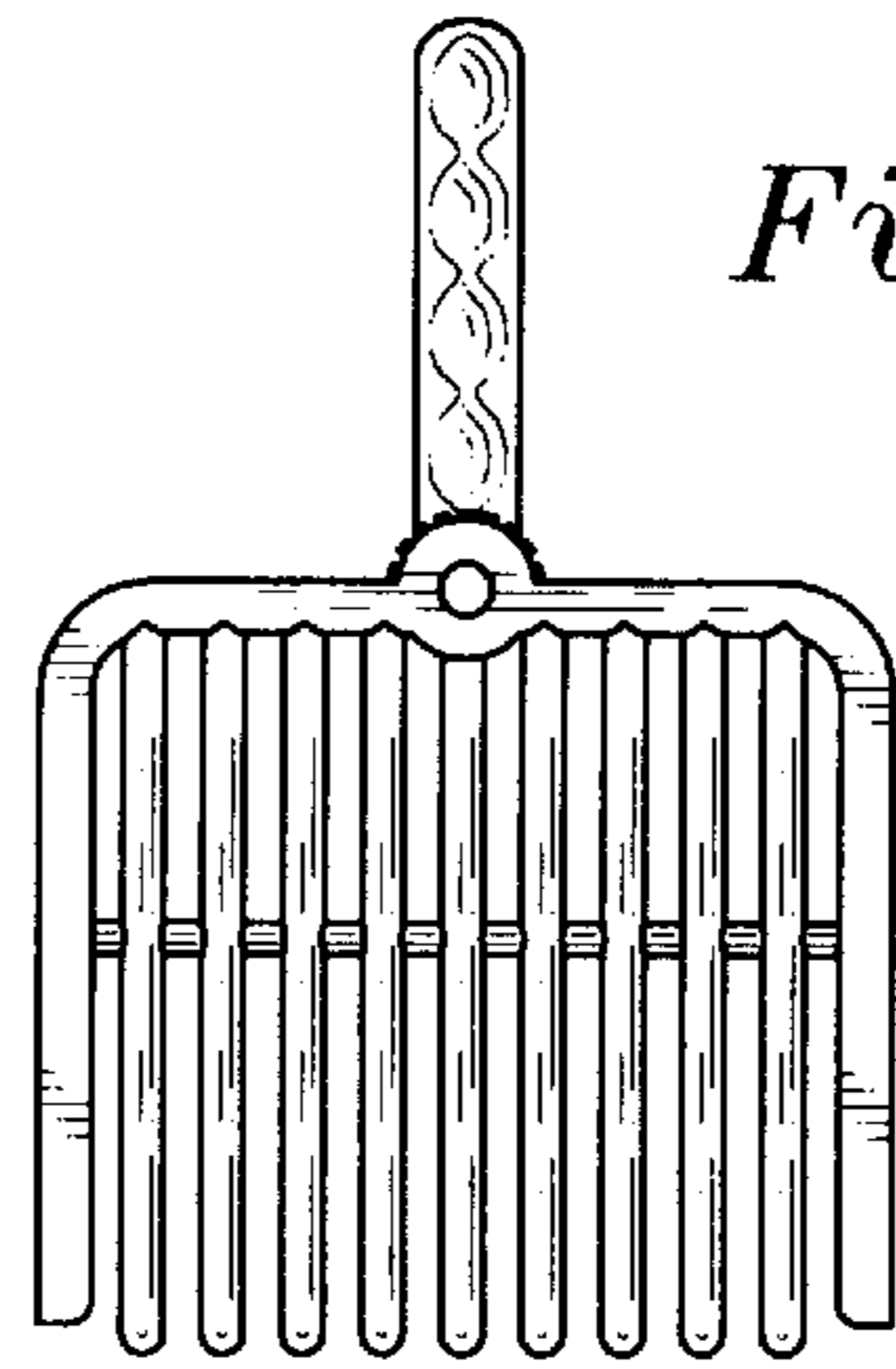


Fig. 5

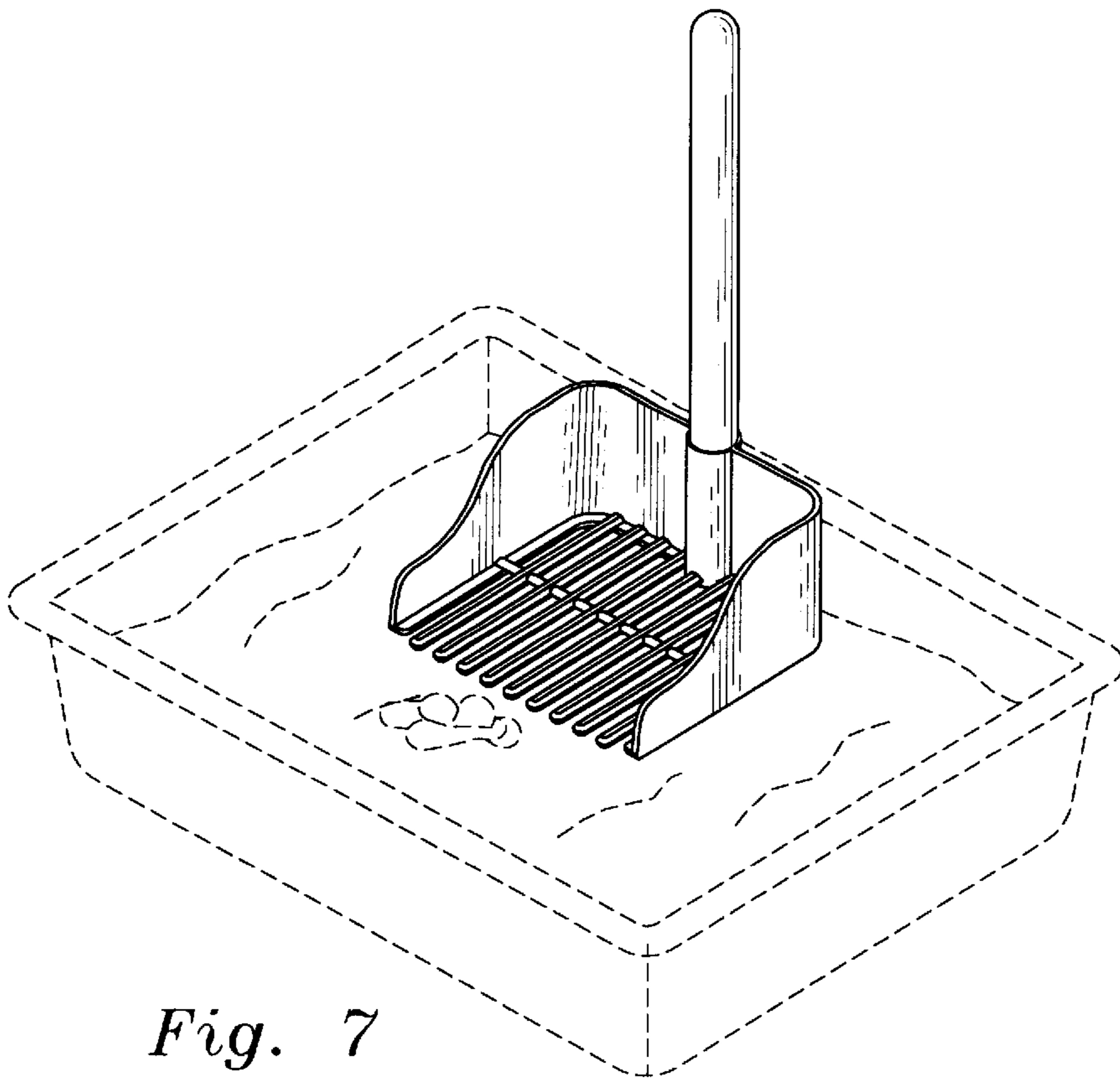


Fig. 7

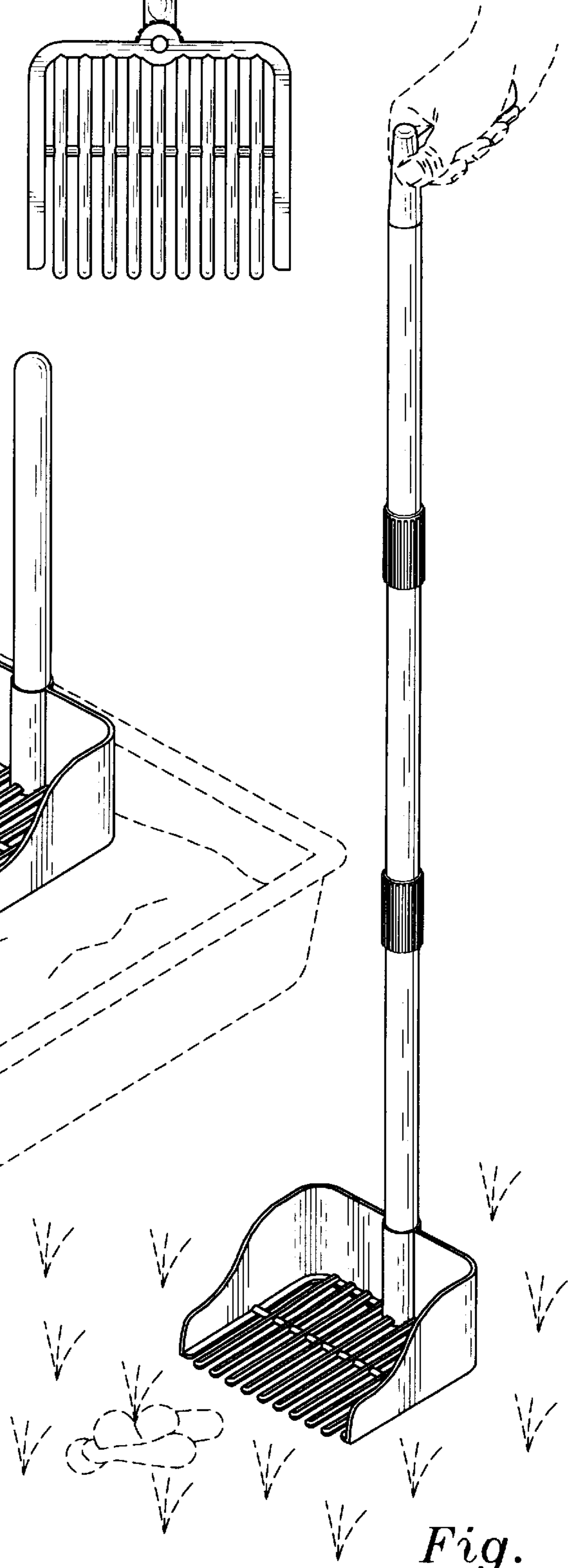


Fig. 6