



US00D409803S

# United States Patent [19] Yoka

[11] Patent Number: **Des. 409,803**

[45] Date of Patent: **\*\* May 11, 1999**

[54] **PET LOCATING COLLAR**

[76] Inventor: **John Jerome Yoka**, 214 Beech St.,  
Kearny, N.J. 07032

[\*\*] Term: **14 Years**

[21] Appl. No.: **29/073,400**

[22] Filed: **Jul. 10, 1997**

[51] **LOC (6) Cl.** ..... **30-09**

[52] **U.S. Cl.** ..... **D30/152**

[58] **Field of Search** ..... D30/152-153;  
119/770, 719, 720, 769, 792-793, 795,  
797, 856, 859, 863, 821; D10/104, 106

4,802,482 2/1989 Gonda et al. .... 119/720  
 4,895,110 1/1990 LoCascio ..... 119/859  
 5,054,428 10/1991 Farkus ..... 119/720  
 5,099,797 3/1992 Gonda ..... 119/720  
 5,161,485 11/1992 McDade ..... 119/720  
 5,193,484 3/1993 Gonda ..... 119/859  
 5,207,178 5/1993 McDade ..... 119/859  
 5,353,744 10/1994 Custer ..... 119/719  
 5,666,908 9/1997 So ..... 119/720

### OTHER PUBLICATIONS

The Scope Catalog; p. 39; Electronic Flea Collar #HE-214 & #HE-216 D30-152, Aug. 1990.

*Primary Examiner*—Cathy Anne MacCormac

### [56] References Cited

#### U.S. PATENT DOCUMENTS

D. 306,504 3/1990 Young ..... D30/152  
 D. 330,173 10/1992 Juliana et al. .... D30/152  
 D. 336,055 6/1993 Juliana et al. .... D30/152  
 D. 376,553 12/1996 Heun ..... D30/152  
 D. 389,764 1/1998 Howard ..... D10/106  
 D. 390,487 2/1998 Thun ..... D10/106  
 4,335,682 6/1982 Gonda et al. .... 119/719  
 4,539,937 9/1985 Workman ..... 119/859  
 4,612,719 9/1986 De Jong ..... 119/859  
 4,794,402 12/1988 Gonda et al. .... 119/720

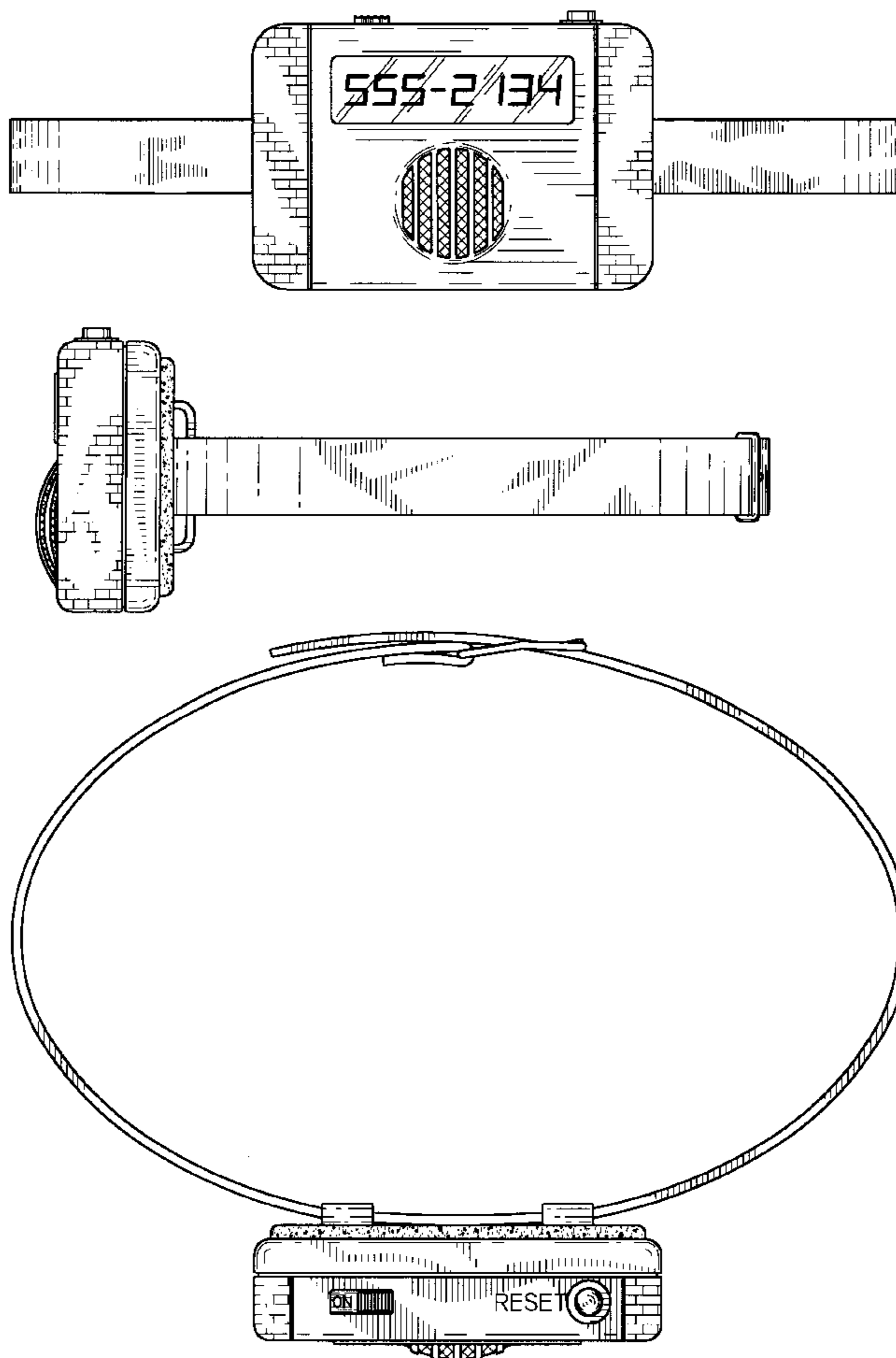
### [57] CLAIM

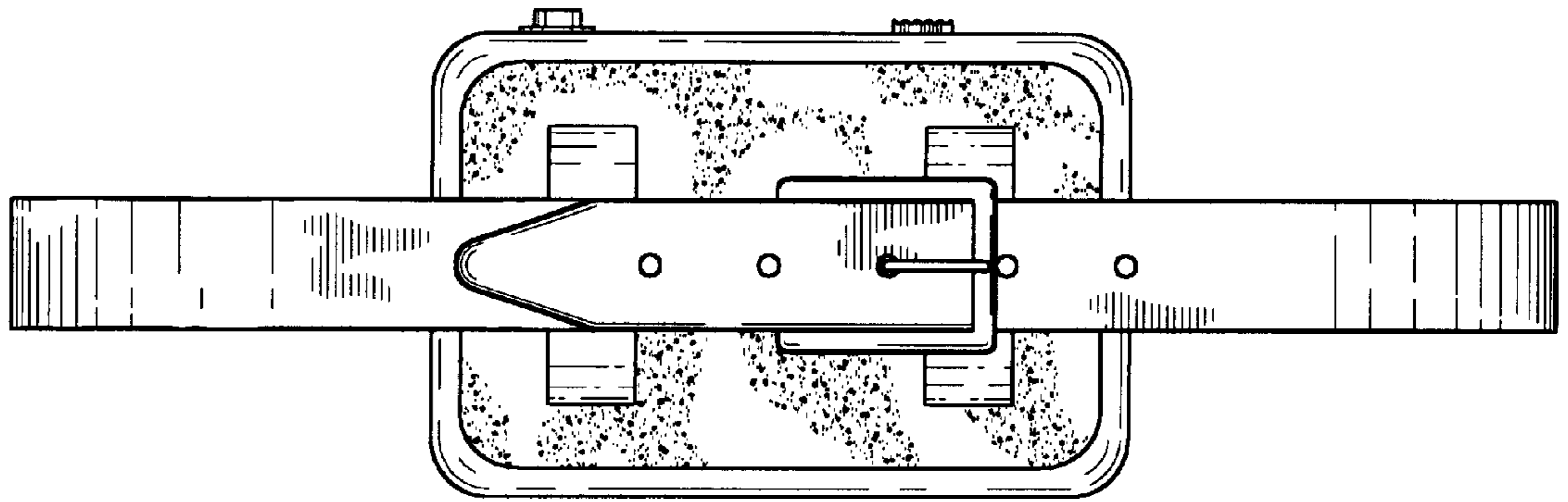
The ornamental design for a pet locating collar, as shown.

### DESCRIPTION

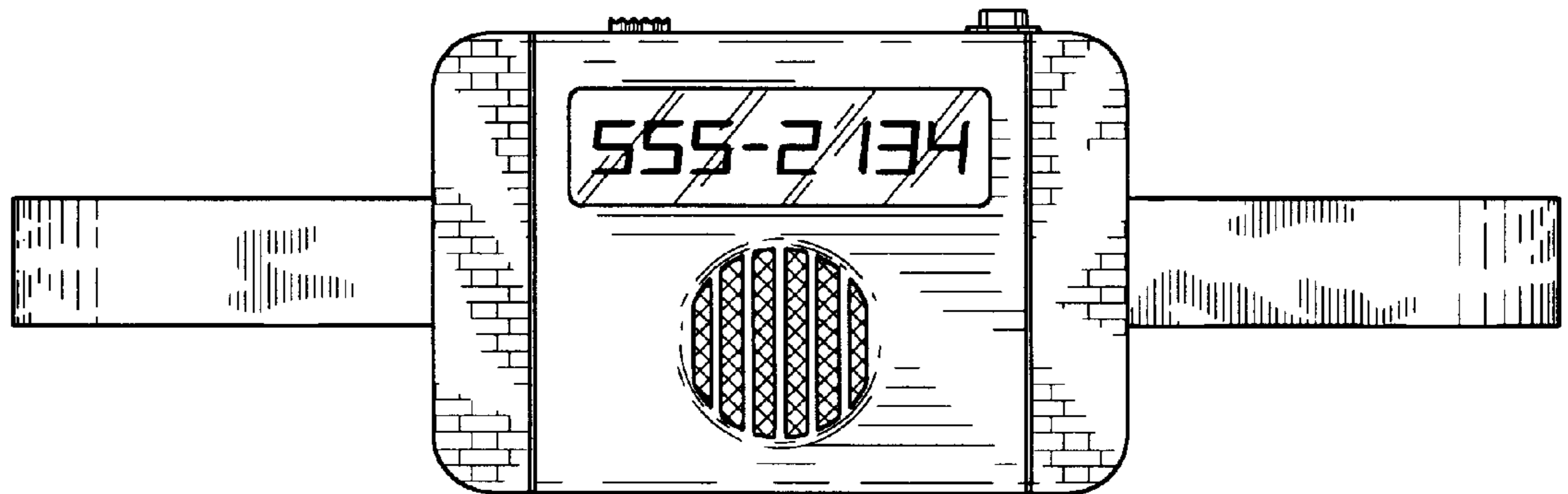
FIG. 1 is a front elevational view of the pet locating collar showing my new design;  
 FIG. 2 is a back elevational view thereof;  
 FIG. 3 is a left side elevational view thereof;  
 FIG. 4 is a right side elevational view thereof;  
 FIG. 5 is a top plan view thereof; and,  
 FIG. 6 is a bottom plan view thereof.

**1 Claim, 3 Drawing Sheets**

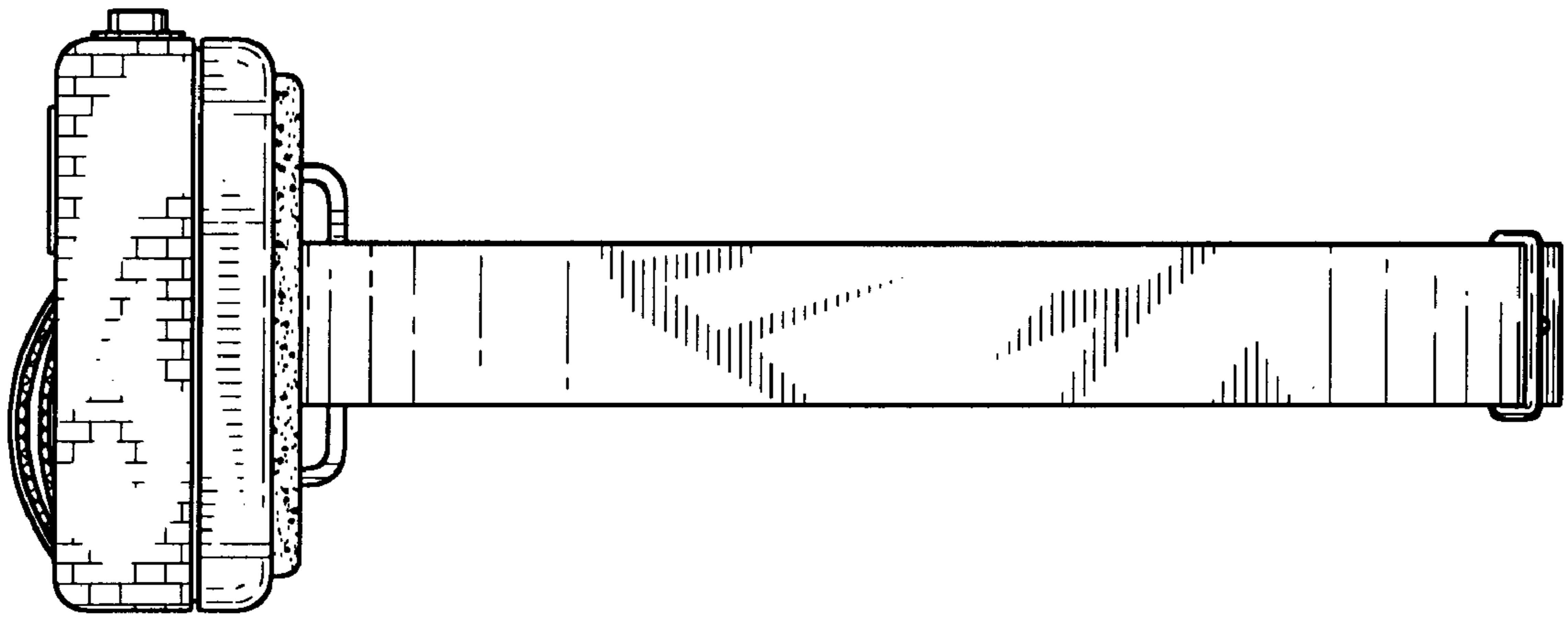




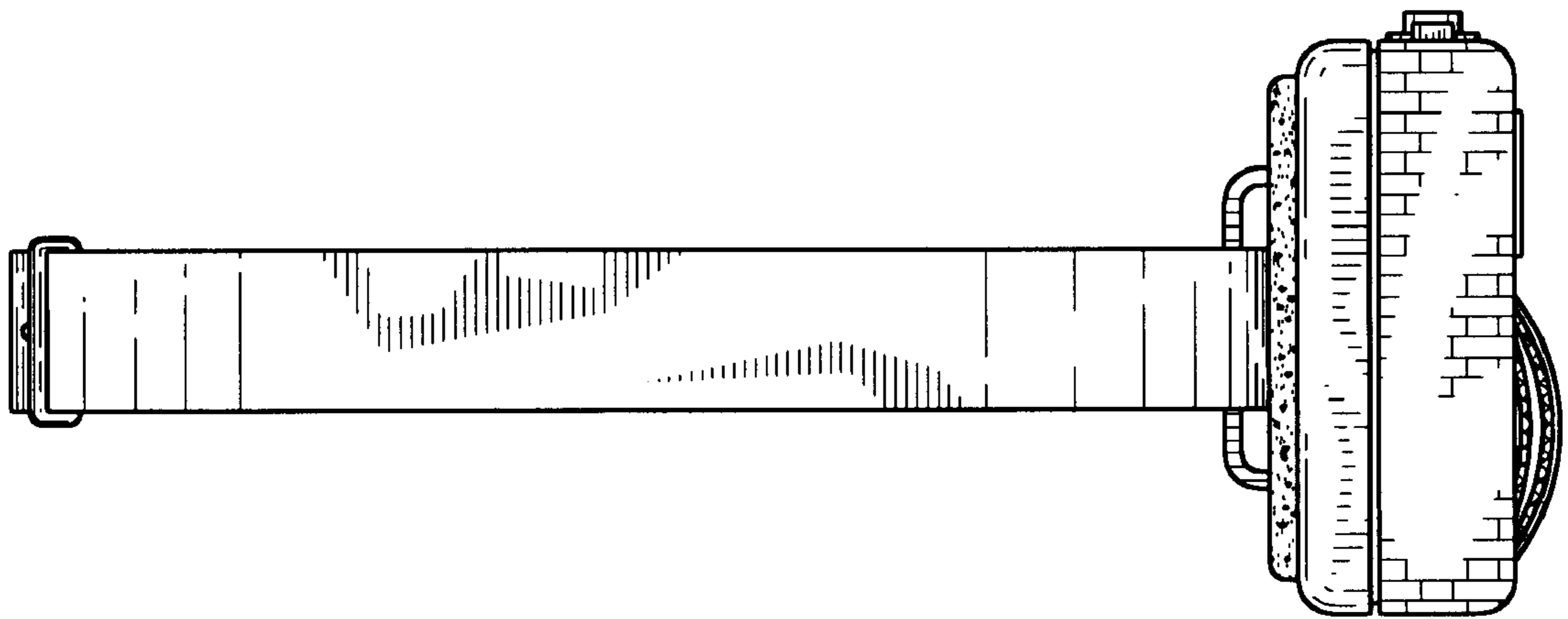
*Fig. 2*



*Fig. 1*

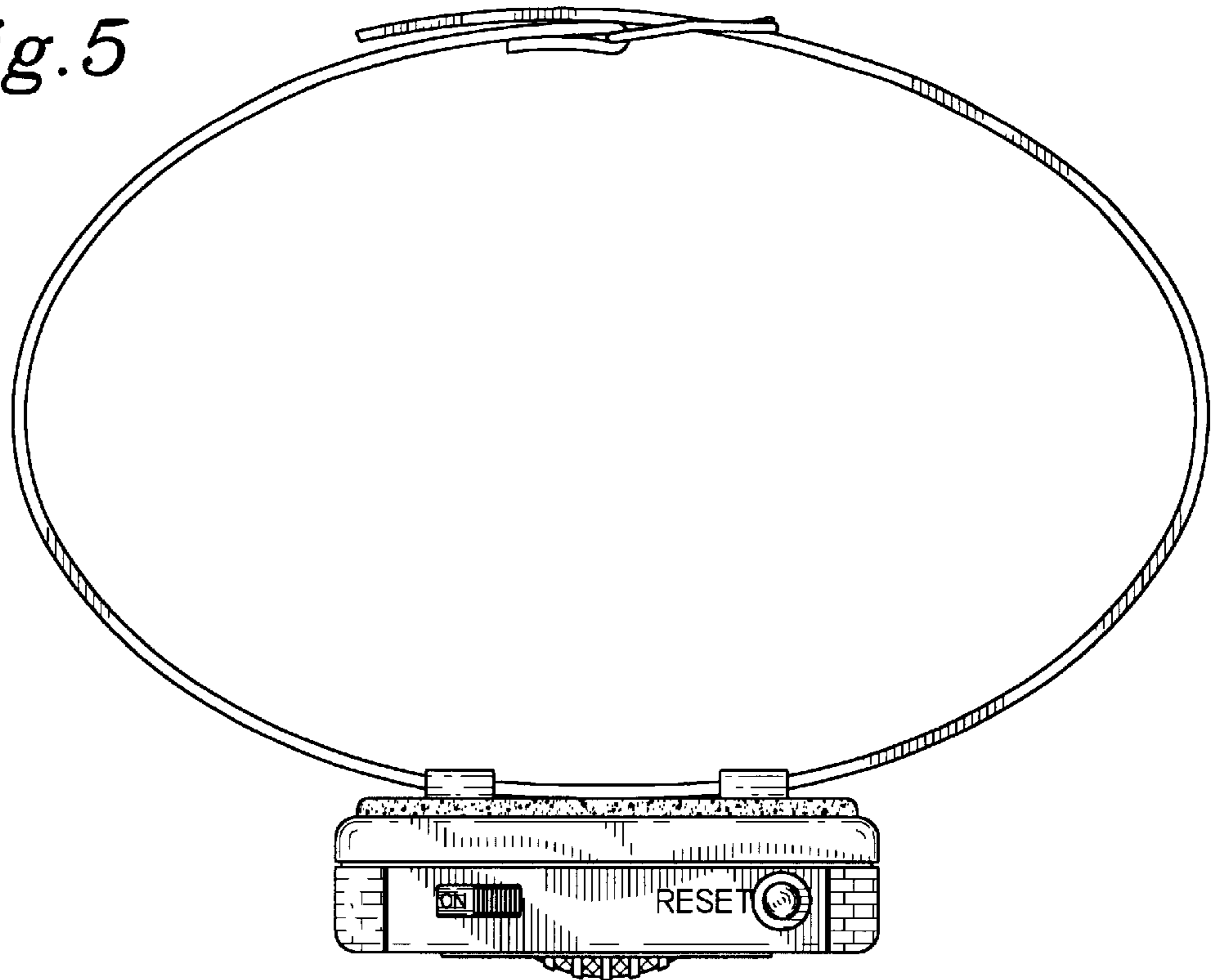


*Fig. 4*



*Fig. 3*

*Fig. 5*



*Fig. 6*

