



US00D409798S

United States Patent [19] Fong

[11] **Patent Number: Des. 409,798**

[45] **Date of Patent: ** May 11, 1999**

[54] **TOOTH PICK**

[76] Inventor: **Alex B Fong**, P.O. Box 488, San Leandro, Calif. 94577

[**] Term: **14 Years**

[21] Appl. No.: **29/076,333**

[22] Filed: **Sep. 27, 1997**

[51] **LOC (6) Cl. 28-03**

[52] **U.S. Cl. D28/65**

[58] **Field of Search D28/64; 132/321-329**

[56] **References Cited**

U.S. PATENT DOCUMENTS

| | | | | |
|------------|---------|-----------|-------|---------|
| D. 188,233 | 6/1960 | Wiseman | | D28/64 |
| D. 274,154 | 6/1984 | Bondurant | | D28/64 |
| D. 298,175 | 10/1988 | Kwok | | D28/64 |
| D. 309,040 | 7/1990 | Poon | | D28/64 |
| D. 316,617 | 4/1991 | Cheung | | D28/64 |
| D. 333,534 | 2/1993 | Dizon | | D28/64 |
| D. 340,315 | 10/1993 | Morin | | D28/64 |
| 1,527,028 | 2/1925 | Daniel | | 132/321 |
| 2,925,087 | 2/1960 | Kucher | | 132/329 |
| 5,704,379 | 1/1998 | Krynicky | | 132/232 |

FOREIGN PATENT DOCUMENTS

8201126 4/1992 WIPO 132/329

Primary Examiner—Ted Shooman

Assistant Examiner—C. Tuttle

Attorney, Agent, or Firm—Papan Devnani, Esq.; Thomas A. Powers; C. C. Shroff

[57] **CLAIM**

The ornamental design for a tooth pick, as shown and described.

DESCRIPTION

FIG. 1 is a right side elevational view of a tooth pick showing my new design;

FIG. 2 is a top plan view of the tooth pick along 3—3 of FIG. 1;

FIG. 3 is the bottom plan view of the tooth pick;

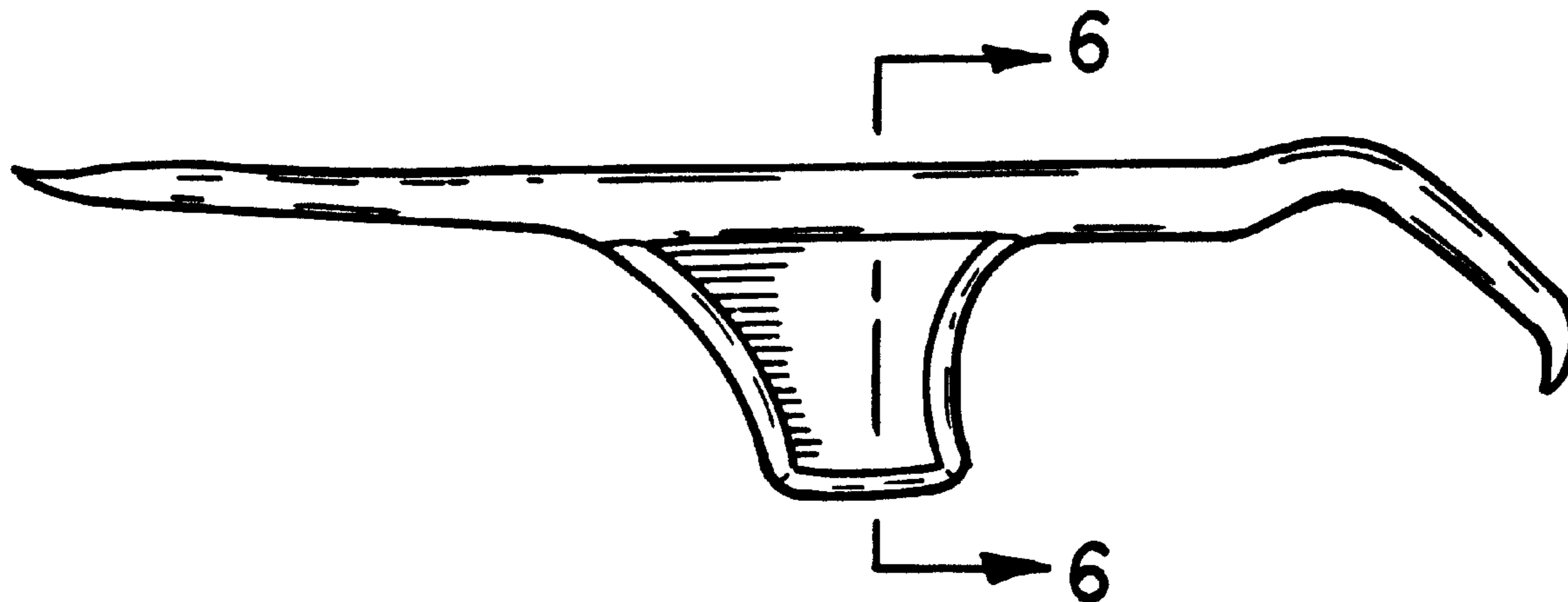
FIG. 4 is the rear elevational view of the tooth pick;

FIG. 5 is the front elevational view of the tooth pick; and,

FIG. 6 is the cross section view along line 6—6 of FIG. 1.

The left side view is a mirror image of the right side view.

1 Claim, 2 Drawing Sheets



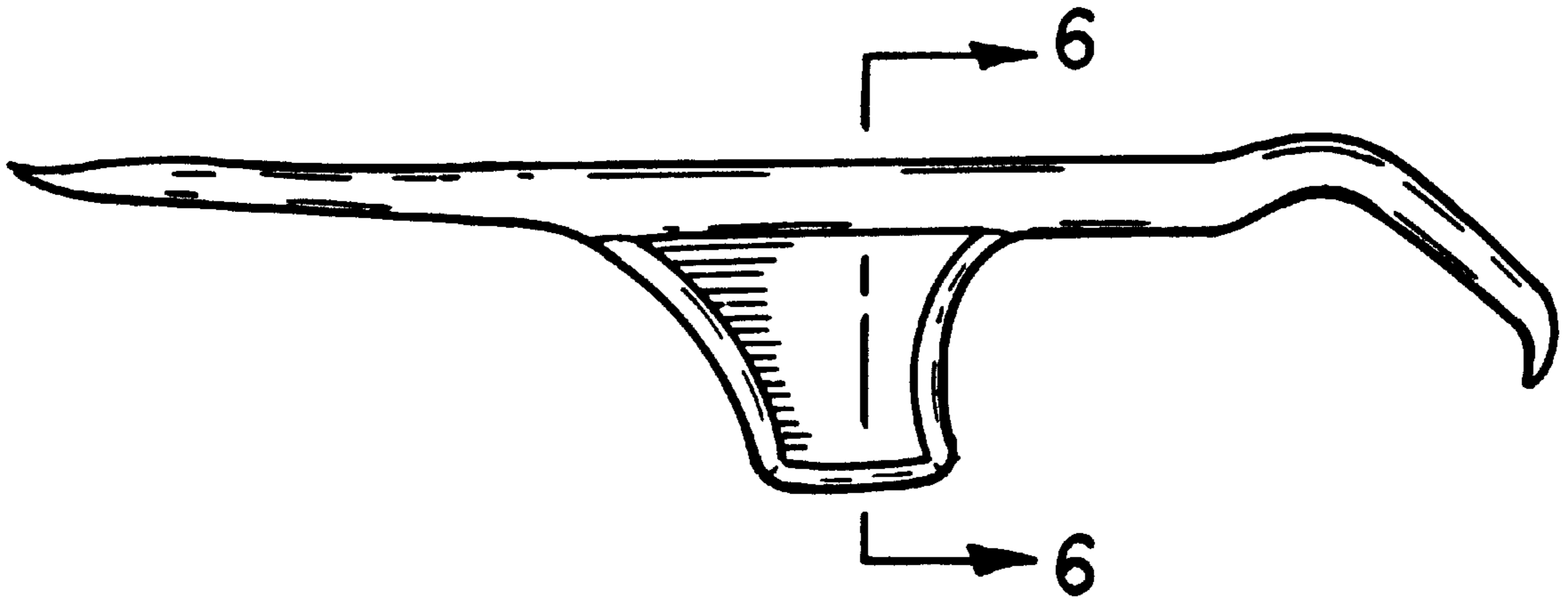


FIG. 1



FIG. 2

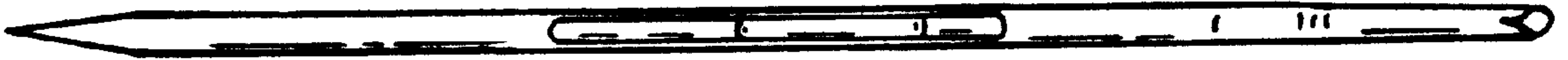


FIG. 3



FIG. 4



FIG. 5



FIG. 6