



US00D409797S

United States Patent [19] Bone

[11] Patent Number: **Des. 409,797**

[45] Date of Patent: **** May 11, 1999**

[54] **DRY SHAVER**

D. 364,682 11/1995 Kip D24/133
D. 377,239 1/1997 Izumi D28/51

[75] Inventor: **Martin Bone**, San Francisco, Calif.

[73] Assignee: **U.S. Philips Corporation**, New York, N.Y.

Primary Examiner—Ted Shooman
Assistant Examiner—C. Tuttle
Attorney, Agent, or Firm—Ernestine C. Bartlett

[**] Term: **14 Years**

[57] **CLAIM**

[21] Appl. No.: **29/064,103**

The ornamental design for a dry shaver, as shown and described.

[22] Filed: **Dec. 4, 1996**

DESCRIPTION

[30] **Foreign Application Priority Data**

Jul. 6, 1996 [XH] Hague Agreement DMA/003344

[51] **LOC (6) Cl.** **28-03**

[52] **U.S. Cl.** **D28/50**

[58] **Field of Search** D28/49-53; 30/34.05,
30/41, 42, 43, 43.1, 43.3, 43.4, 43.5, 43.6,
43.7, 43.8, 43.9, 43.91, 43.92, 44, 45

FIG. 1 is a perspective view showing my new design with the cover removed for a complete disclosure of the underlying parts;

FIG. 2 is a front elevational view thereof;

FIG. 3 is a rear elevational view thereof;

FIG. 4 is a right side elevational view thereof;

FIG. 5 is a left side elevational view thereof;

FIG. 6 is a top plan view thereof;

FIG. 7 is a bottom plan view thereof;

FIG. 8 is an exploded perspective view; and,

FIG. 9 is a perspective view of the fully assembled design.

The portions of the brush and cover that cannot be seen in FIGS. 8 and 9 are not claimed as part of my new design.

[56] **References Cited**

U.S. PATENT DOCUMENTS

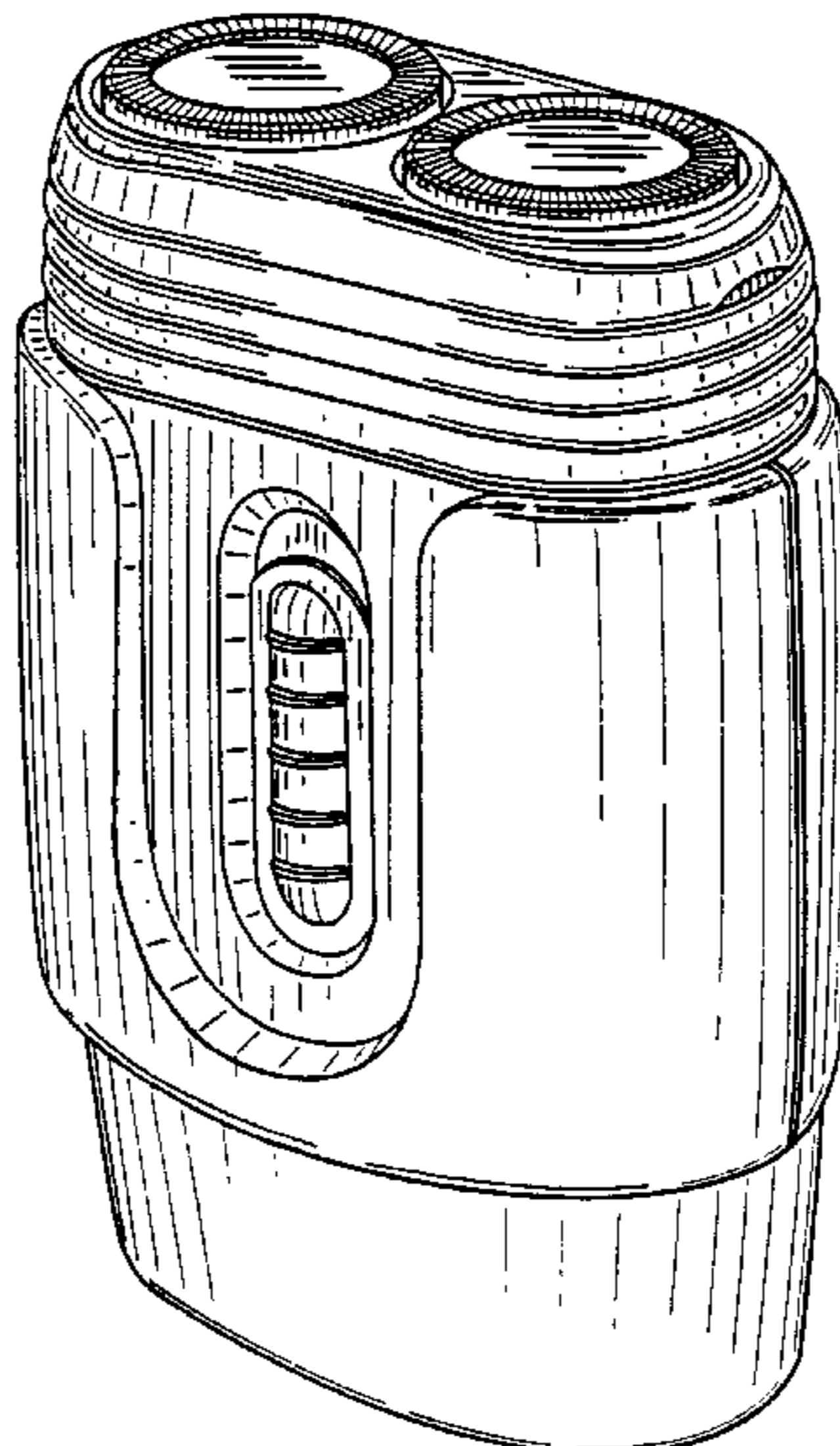
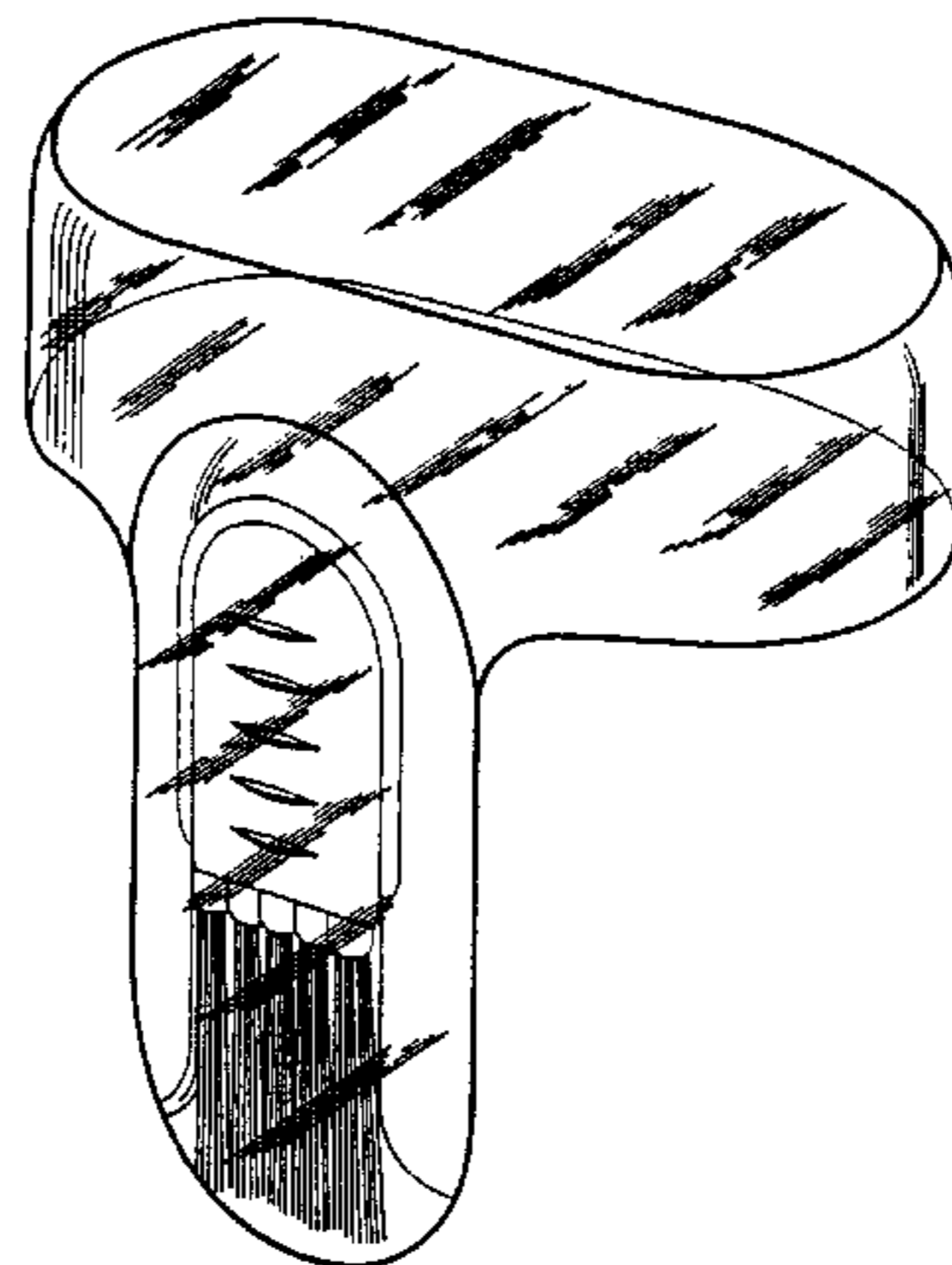
D. 169,093 3/1953 Otto D8/51

D. 285,731 9/1986 Satoh et al. D28/50

D. 315,227 3/1991 Mockovak D28/49

D. 362,517 9/1995 Pirmayer D28/49

1 Claim, 7 Drawing Sheets



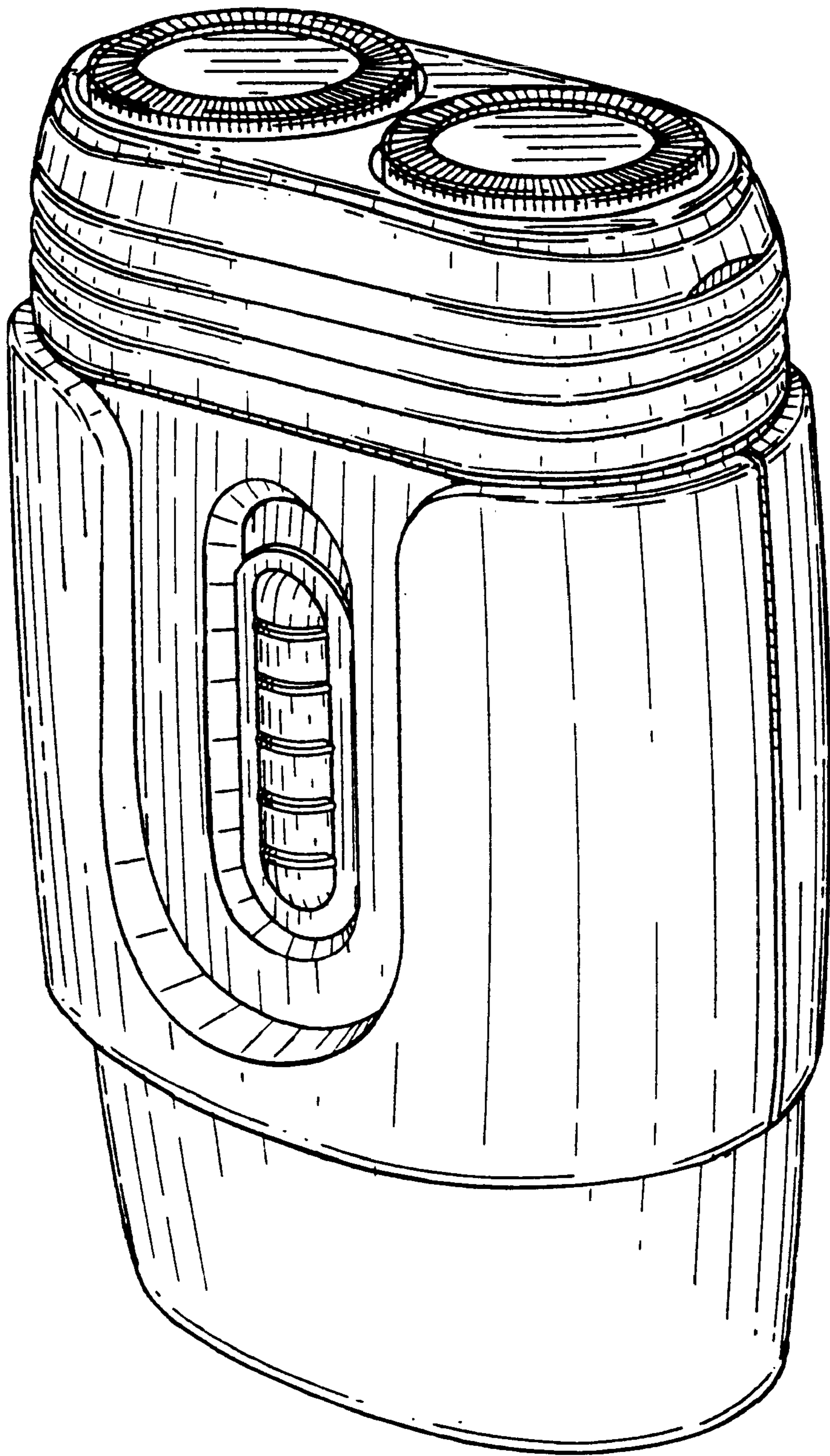


FIG. 1

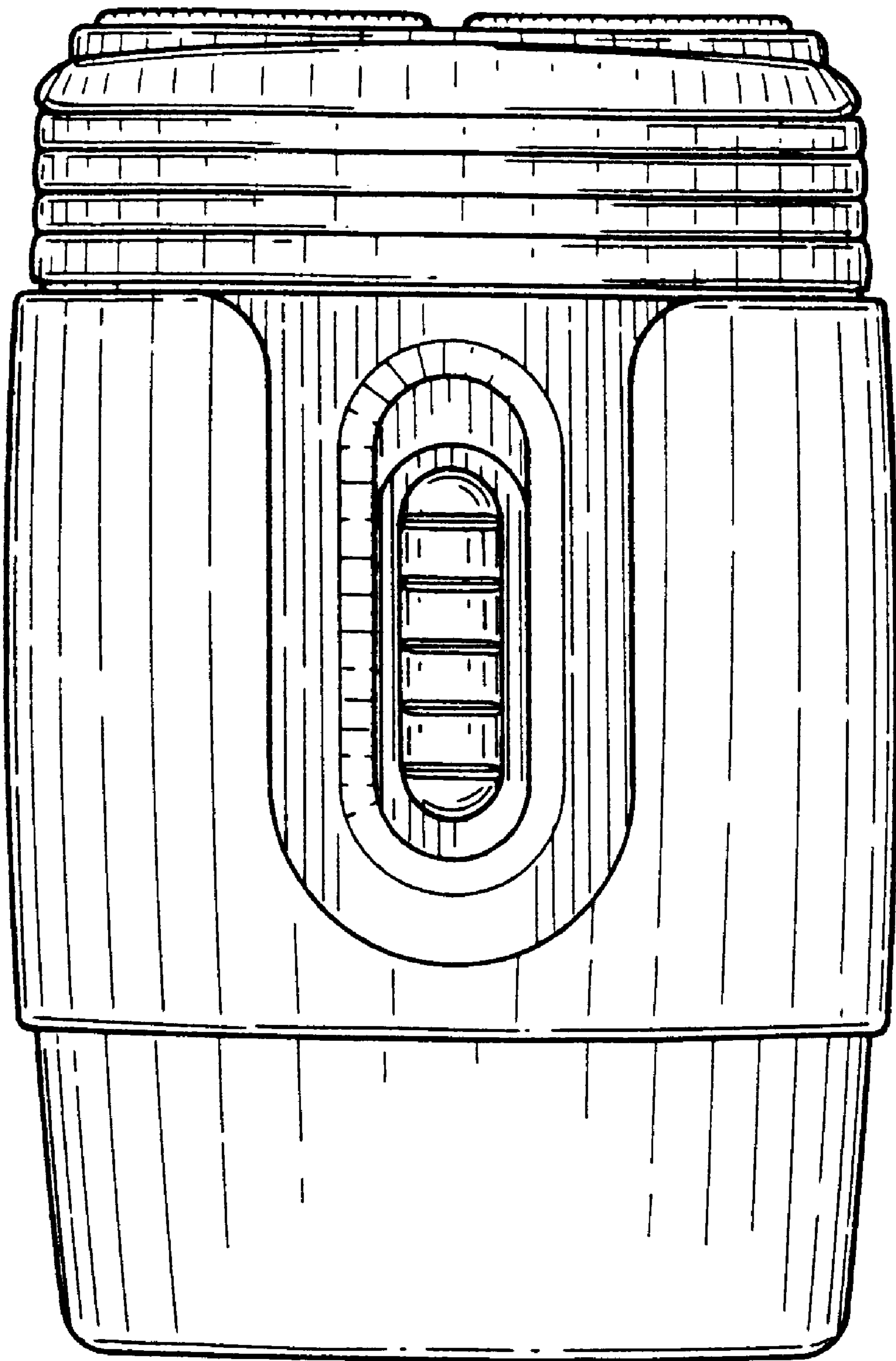


FIG.2

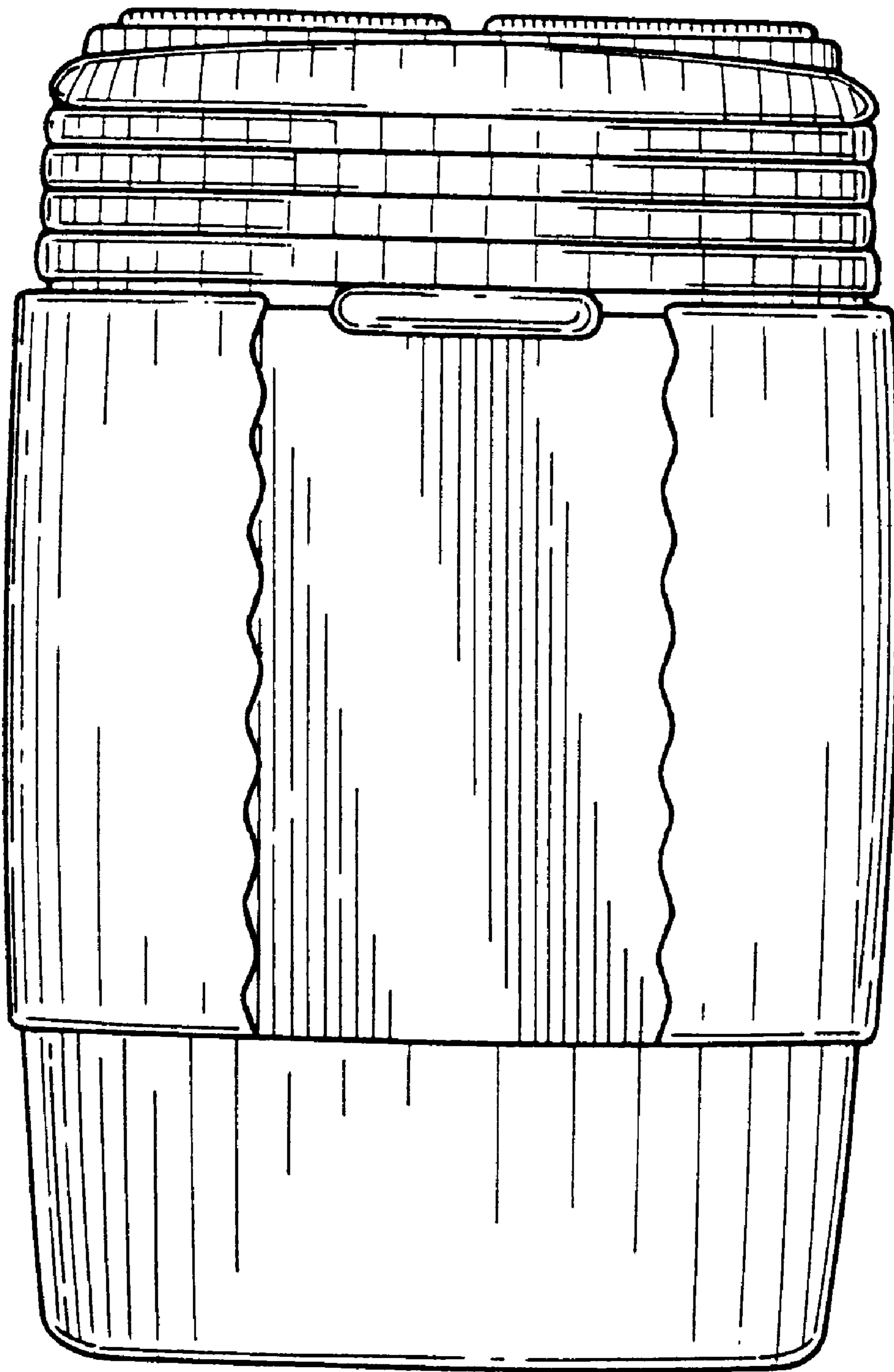


FIG.3

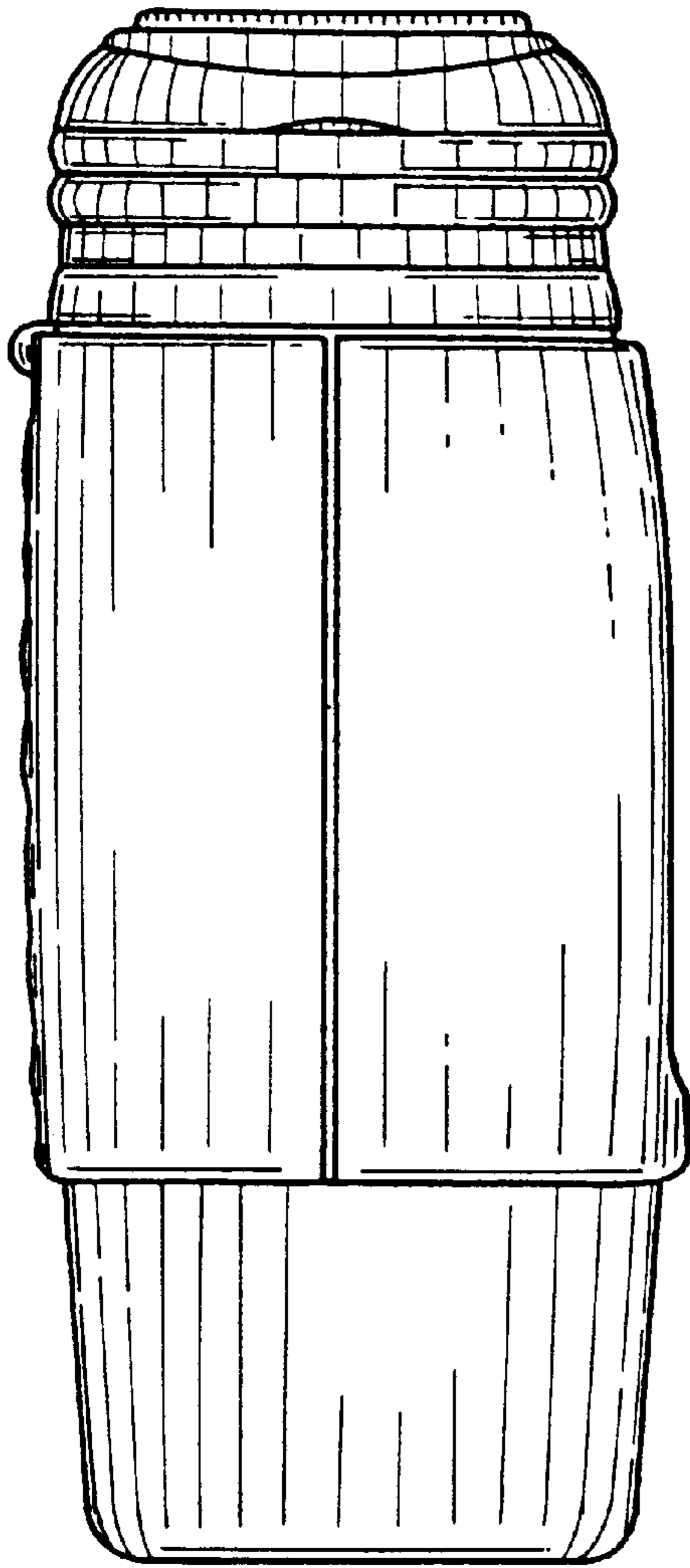


FIG.4

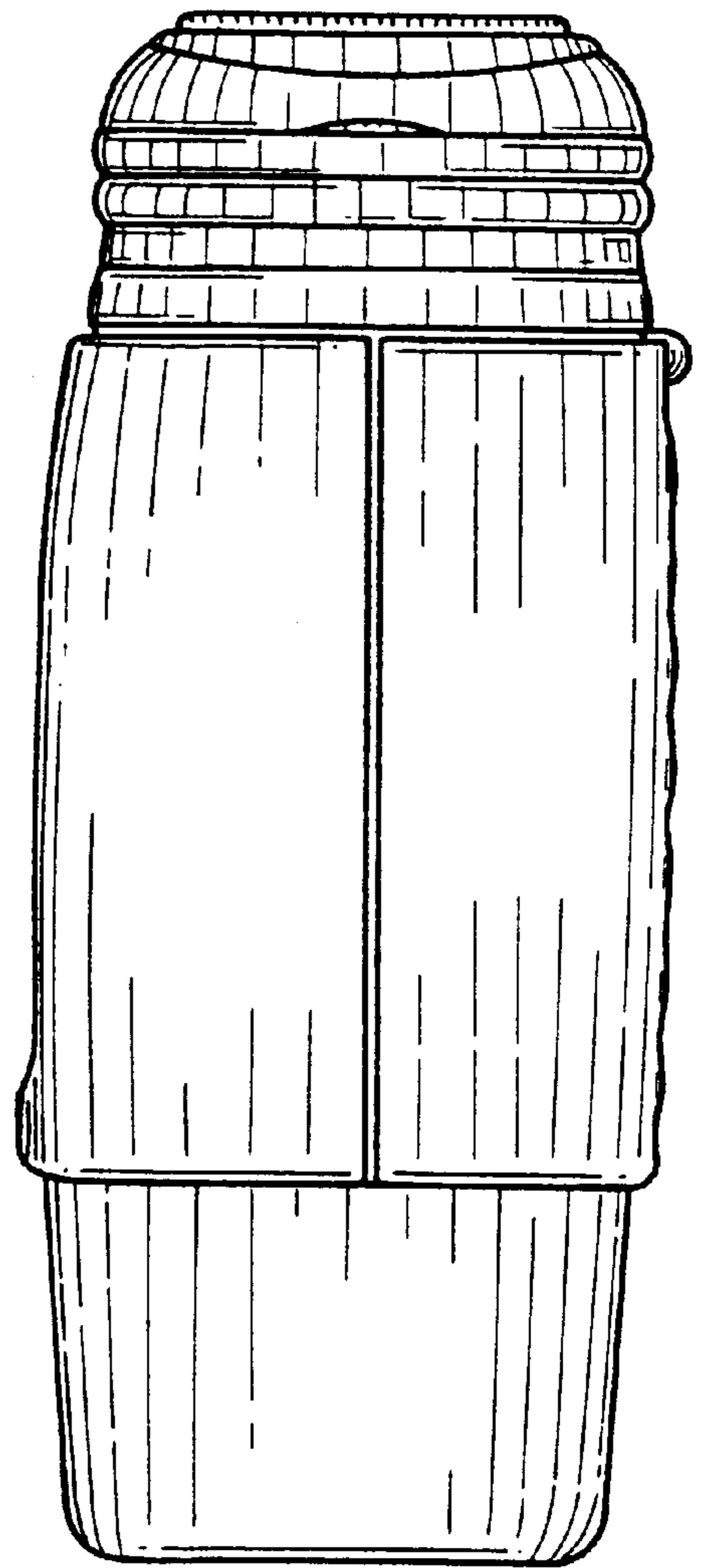


FIG.5

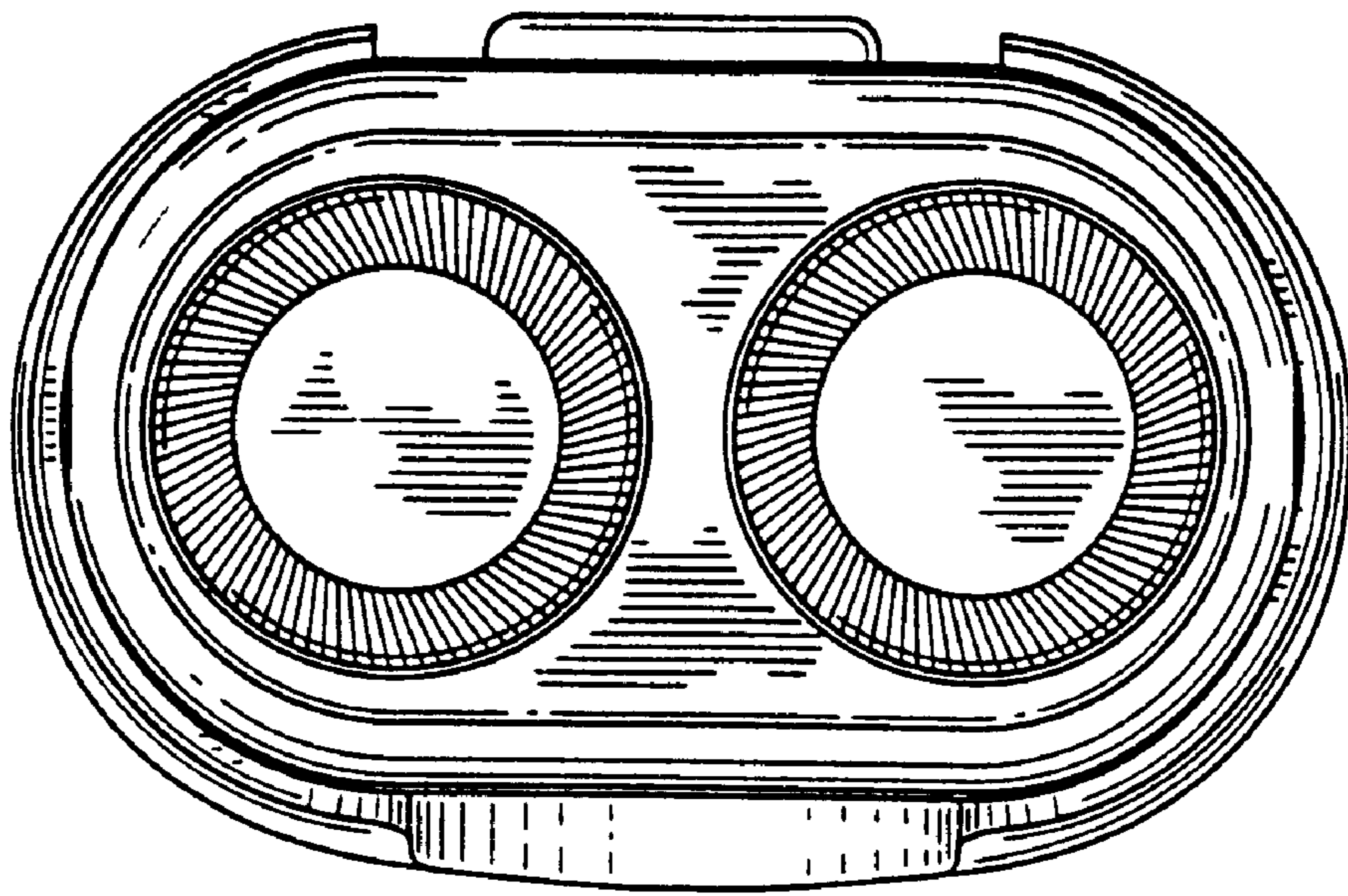


FIG. 6

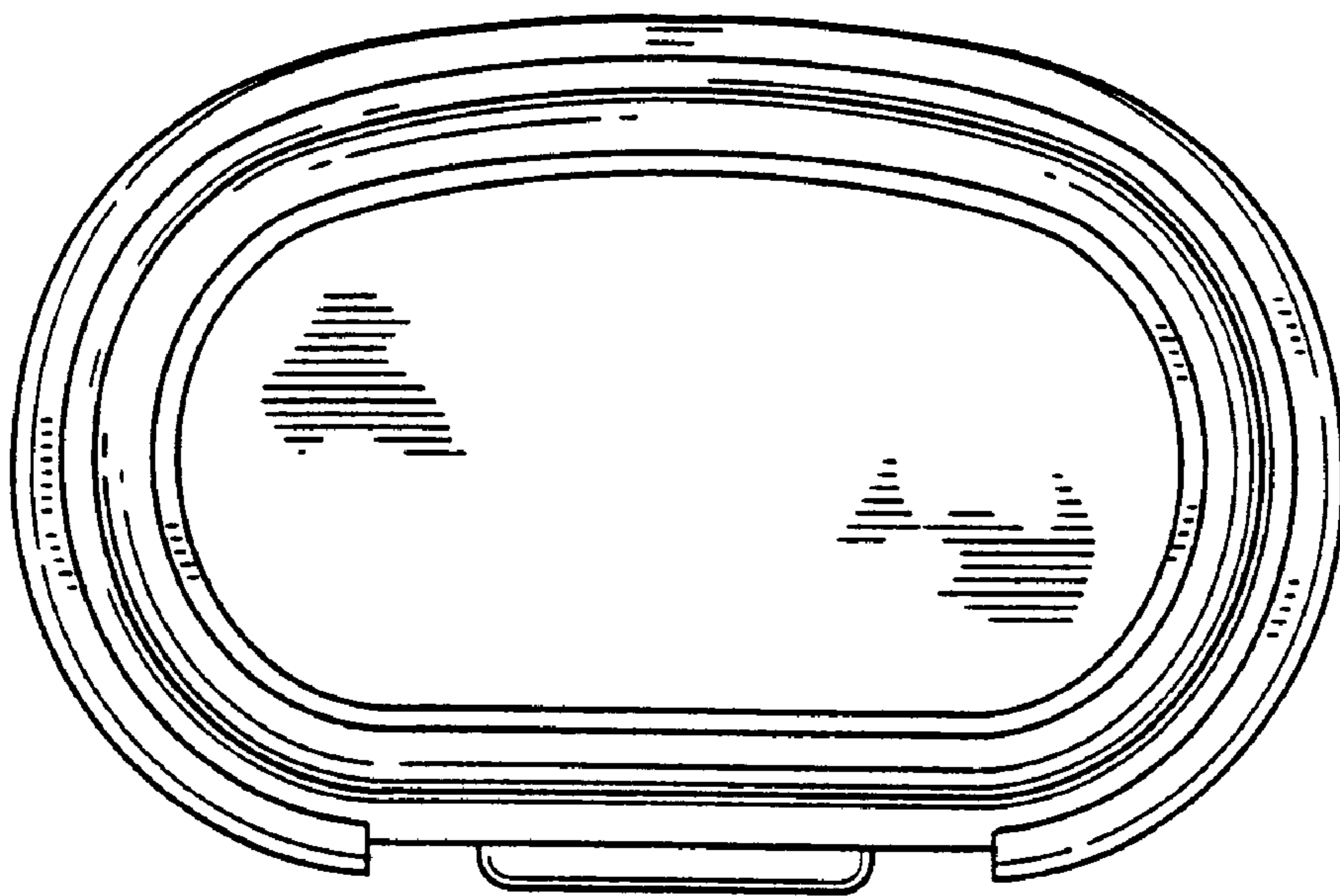


FIG. 7

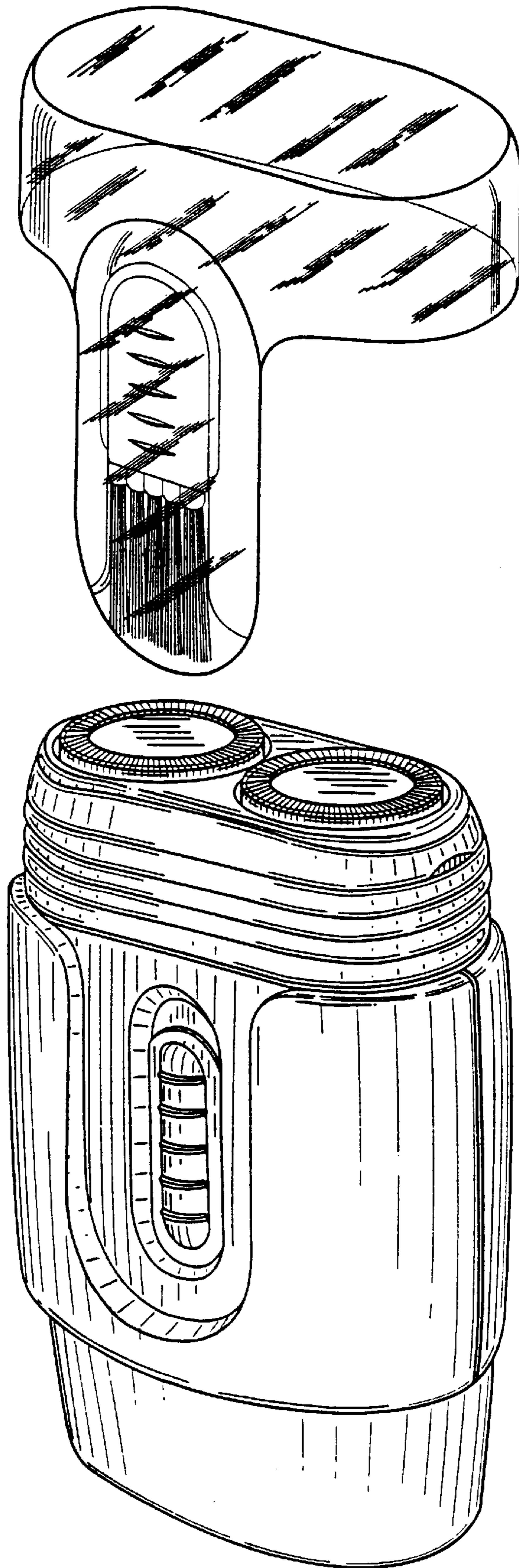


FIG. 8

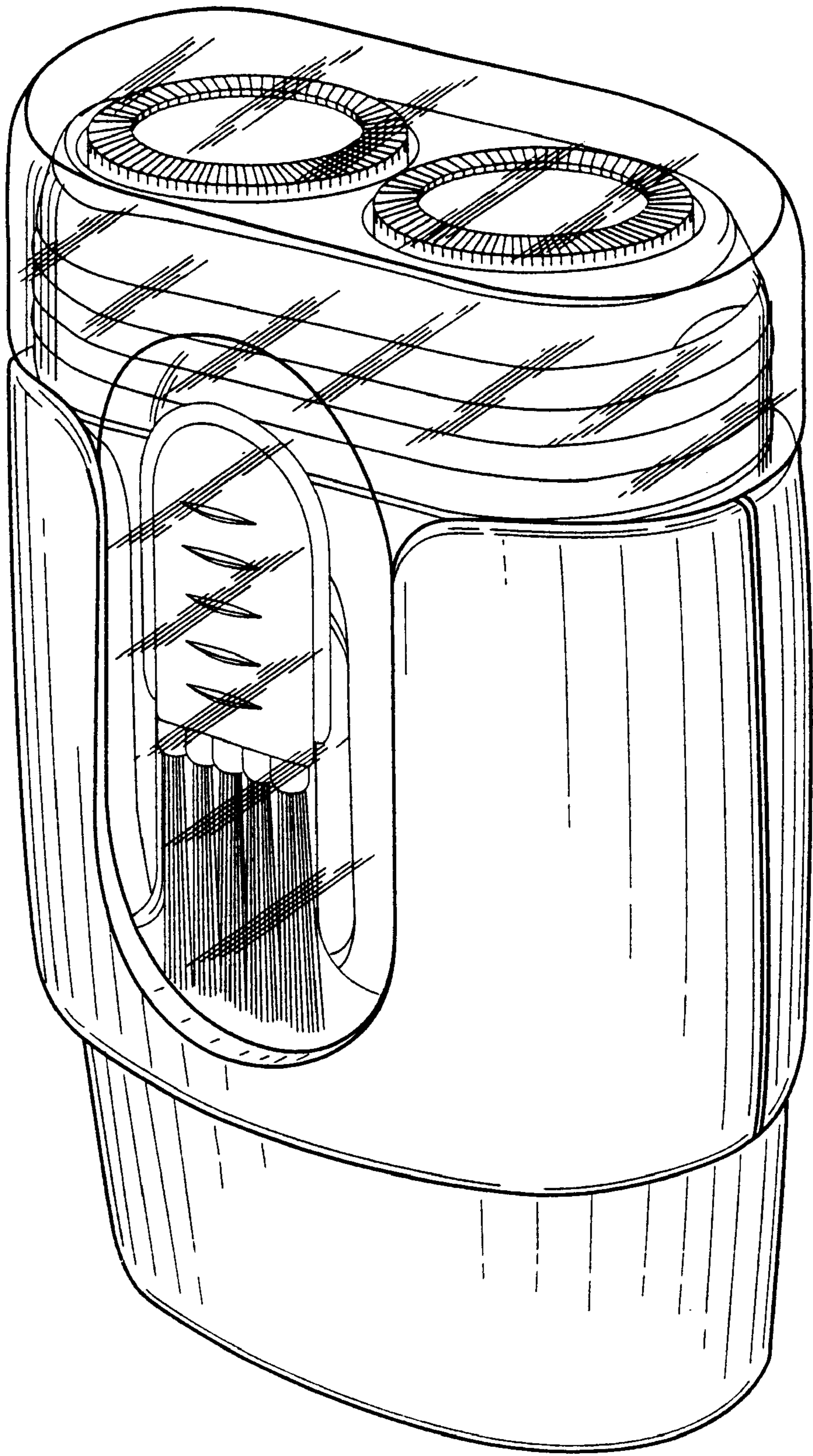


FIG. 9