



US00D409793S

**United States Patent** [19]  
**Sabol et al.**

[11] **Patent Number: Des. 409,793**  
[45] **Date of Patent: \*\* May 11, 1999**

[54] **CIGAR HUMIDOR**

*Attorney, Agent, or Firm—Rodman & Rodman*

[76] Inventors: **Joseph Sabol; Sean Sabol**, both of 160  
W. End Ave.-Apt. 6F, New York, N.Y.  
10023

[57] **CLAIM**

The ornamental design for a cigar humidor, as shown and described.

[\*\*] Term: **14 Years**

**DESCRIPTION**

[21] Appl. No.: **29/078,113**

FIG. 1 is a front perspective view of a cigar humidor showing our new design;

[22] Filed: **Oct. 17, 1997**

FIG. 2 is a fragmentary exploded perspective view of an upper portion of the shaft thereof;

[51] **LOC (6) Cl.** ..... **27-06**

[52] **U.S. Cl.** ..... **D27/192; D21/744; D27/188**

FIG. 3 is a fragmentary perspective view of the lower portion of the shaft thereof;

[58] **Field of Search** ..... 312/31; 473/316-323;  
D21/736-746, 757; D27/172, 183, 192,  
188; 131/528, 329, 328

FIG. 4 is an front elevation view of the lower portion of the shaft thereof;

[56] **References Cited**

FIG. 5 is a top plan view of the lower portion of the shaft thereof;

**U.S. PATENT DOCUMENTS**

FIG. 6 is a bottom plan view of the lower portion of the shaft thereof;

D. 212,890	12/1968	Rose	.....	D21/739
D. 380,246	6/1997	Solheim et al.	.....	D21/736
D. 398,686	9/1998	Masuda	.....	D21/742
5,544,883	8/1996	Meyer	.....	473/313
5,687,749	11/1997	Brauer, Jr.	.....	
5,772,525	6/1998	Klein	.....	473/316
5,816,930	10/1998	Brown	.....	473/340

FIG. 7 is a end view of the lower portion of the shaft thereof;

FIG. 8 is an end view of the opposite end of the lower portion of the shaft thereof; and,

FIG. 9 is a rear elevation view of the lower portion of the shaft thereof.

**OTHER PUBLICATIONS**

The claimed design is fragmentarily shown in FIGS. 2-9 for convenience of illustration. The broken line disclosures of the cigar and matchbox are shown for convenience of illustration and form no part of the claimed design.

Hammacher Schlemmer Catalog, K-96, Back page 104.

*Primary Examiner—Susan J. Lucas*  
*Assistant Examiner—Jennifer Rivard*

**1 Claim, 4 Drawing Sheets**

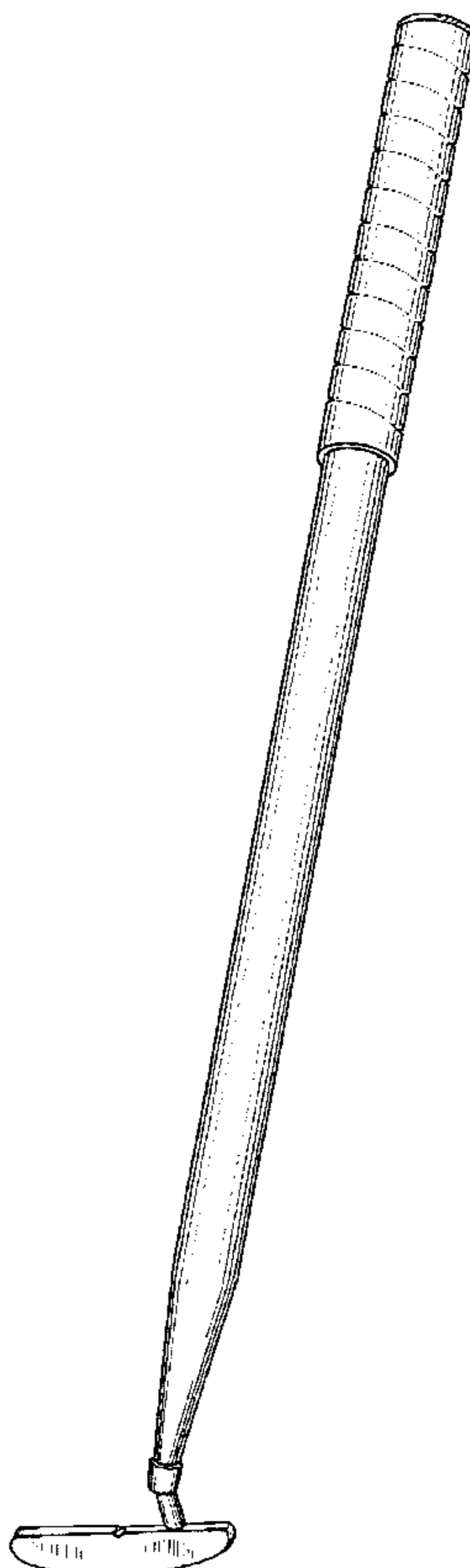


FIG. 1

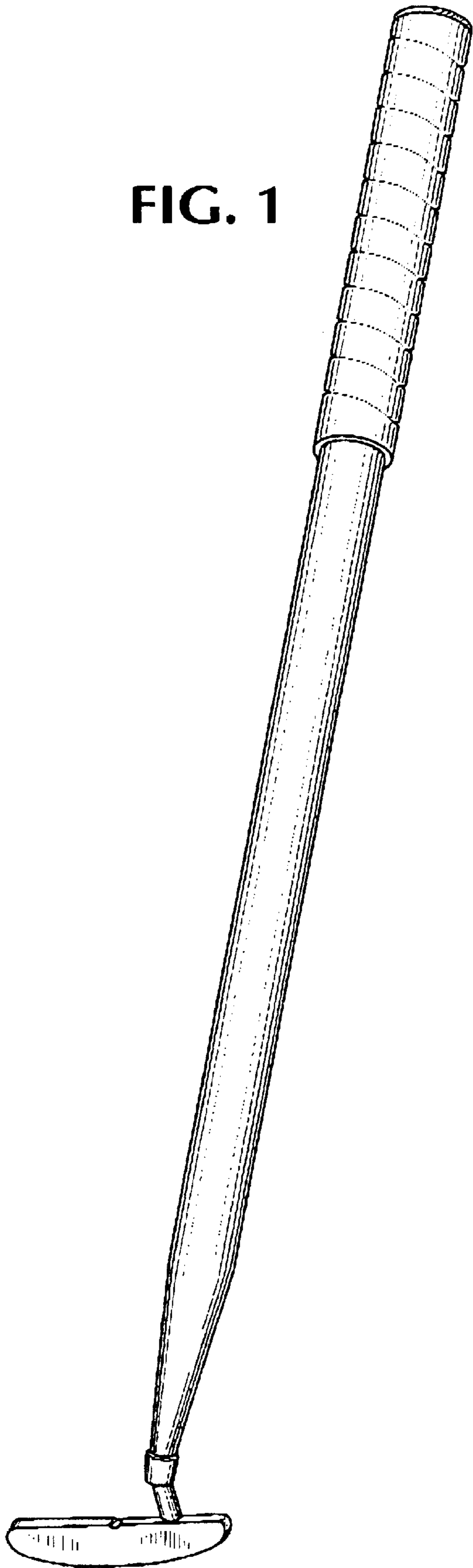
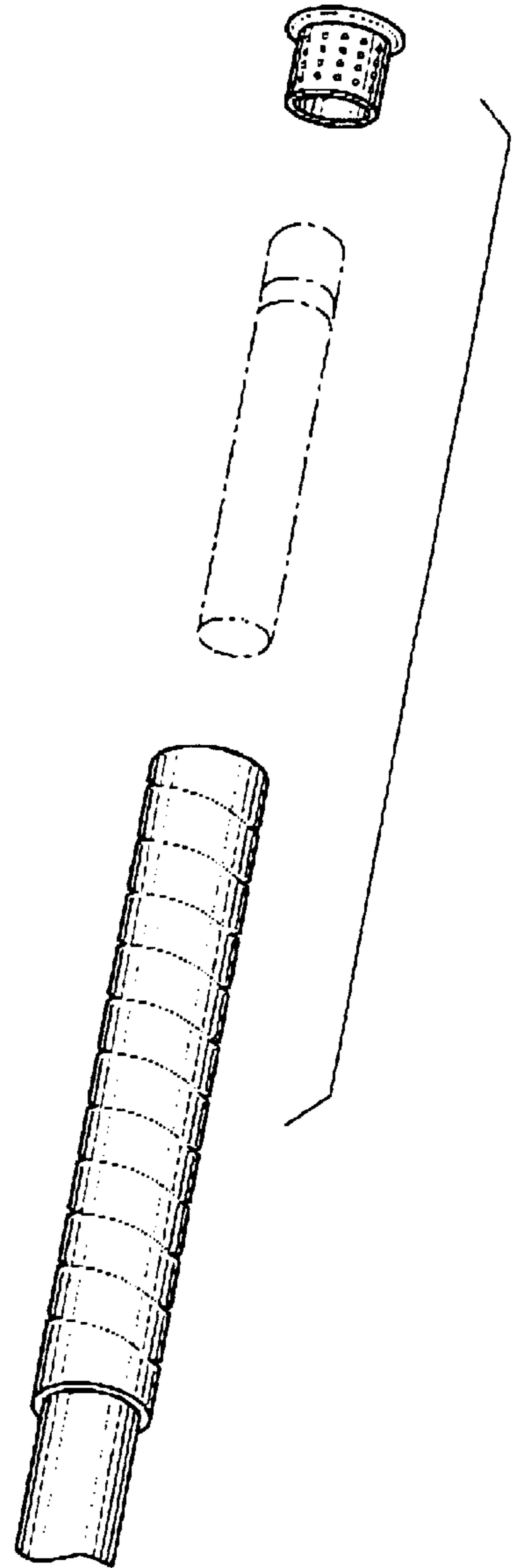


FIG. 2



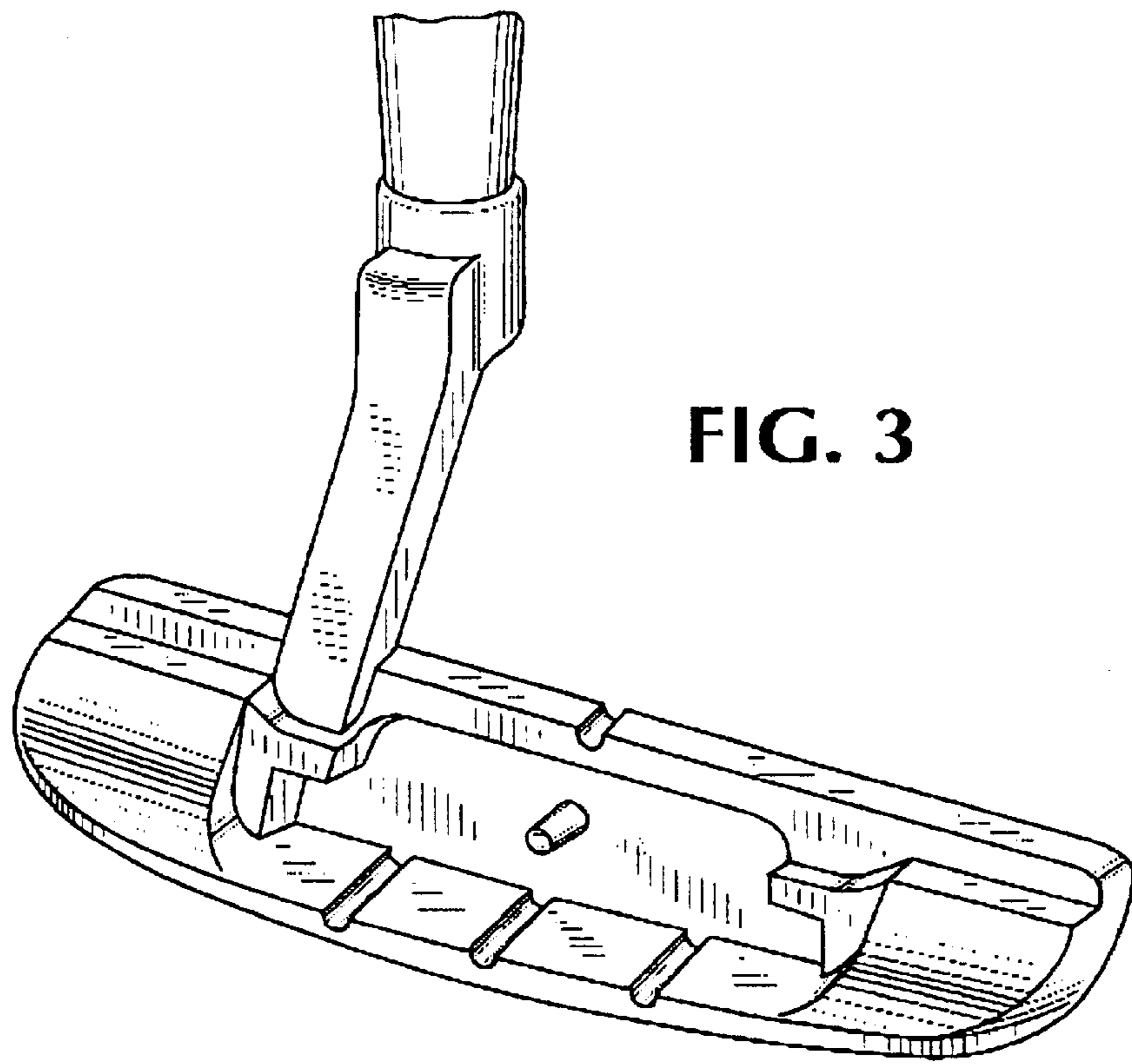


FIG. 3

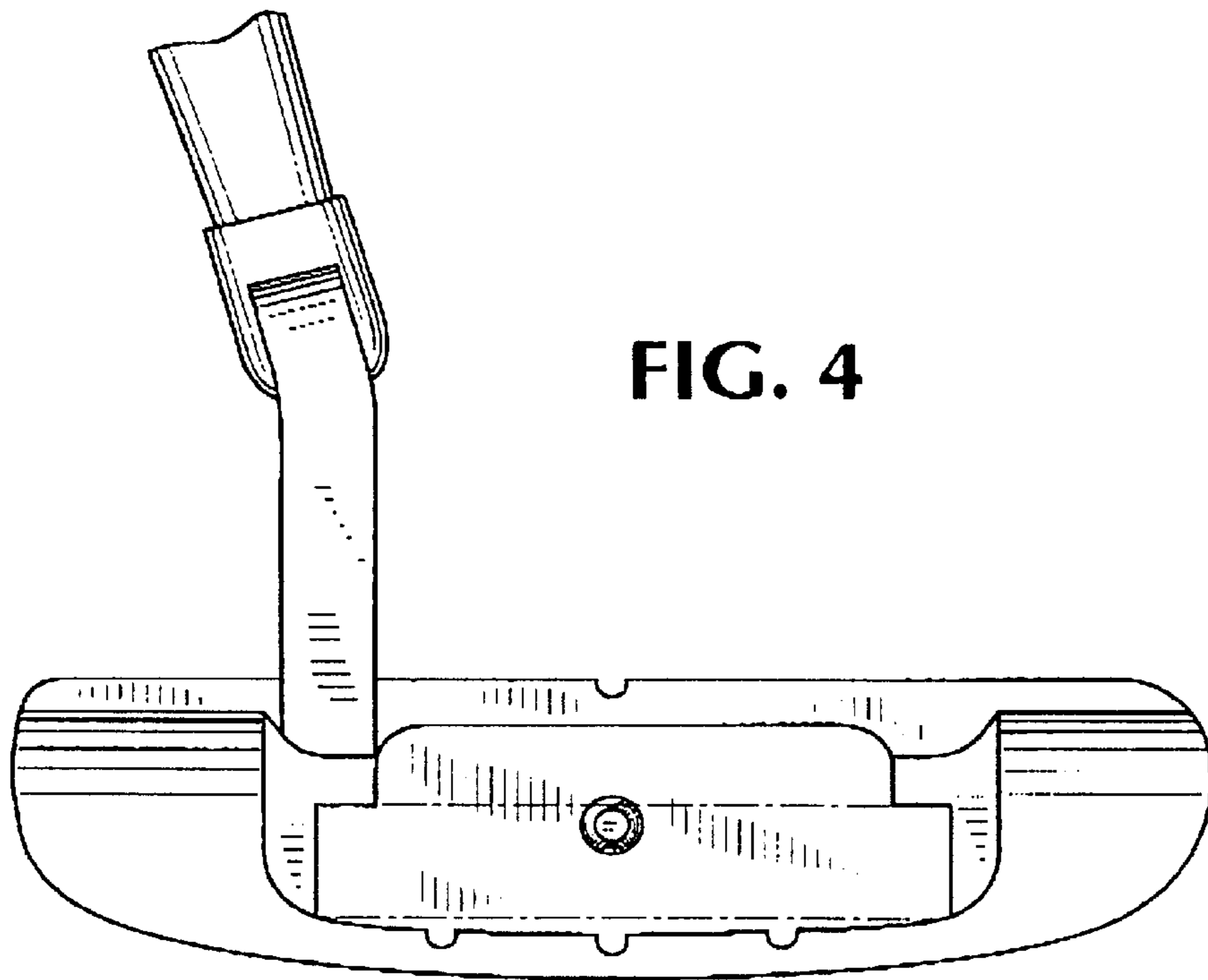
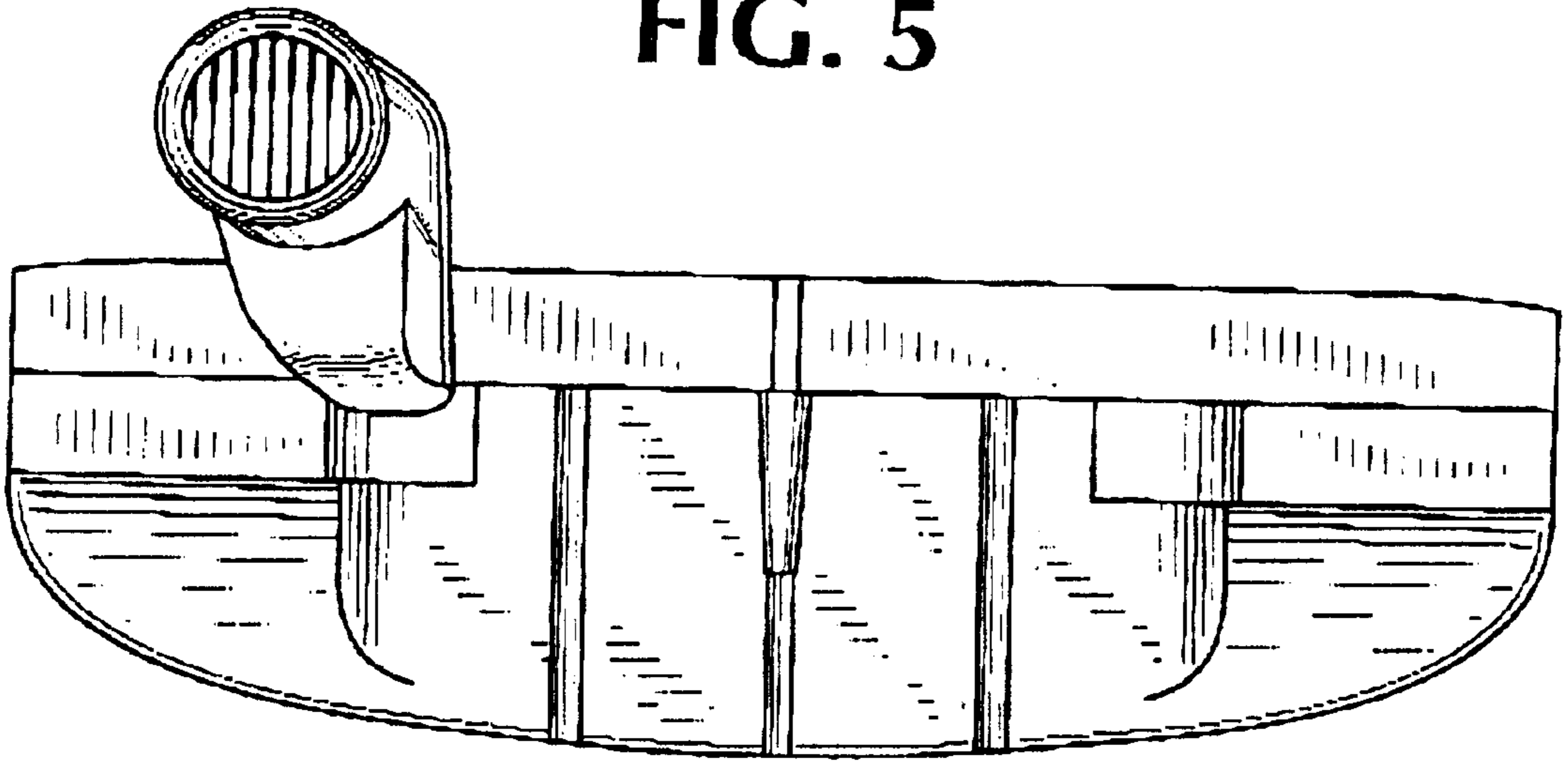


FIG. 4

**FIG. 5**



**FIG. 6**

