



US00D409788S

# United States Patent [19]

[11] **Patent Number: Des. 409,788**

**Dolan**

[45] **Date of Patent: \*\* May 11, 1999**

[54] **CHANDELIER**

[76] Inventor: **Patrick S. Dolan**, 1901 NW. Upshur, Portland, Oreg. 97209

[\*\*] Term: **14 Years**

[21] Appl. No.: **29/081,587**

[22] Filed: **Jan. 7, 1998**

[51] **LOC (6) Cl. .... 26-05**

[52] **U.S. Cl. .... D26/84**

[58] **Field of Search ..... D26/72, 80-92, D26/128, 134, 136, 137, 138; 362/147, 404-408**

Forte Lighting 14550 Miller Ave Fontana, Ca 92336 Catalog 9310, 1993 p. 97, Model 2315-05-03.

Hilite Mfg Co. 13450 Monte Vista Ave Chino, Ca 91710 Catalog 1991 p. 28, Model H5225.

As seen in Residential Lighting Magazine 400 Knightsbridge Pkwy Lincolnshire, Il 60069 Dec. 1997 p. 114, Murray Feiss Ad, Circa 393.

*Primary Examiner*—Susan J. Lucas

## [57] **CLAIM**

The ornamental design for a chandelier, as shown and described.

## **DESCRIPTION**

FIG. 1 is a perspective view thereof;  
FIG. 2 is an elevational view thereof, all sides being identical;  
FIG. 3 is a top plan view thereof; and,  
FIG. 4 is a bottom plan view thereof.

The broken lines are shown for illustrative purposes only and form no part of the claimed design.

## [56] **References Cited**

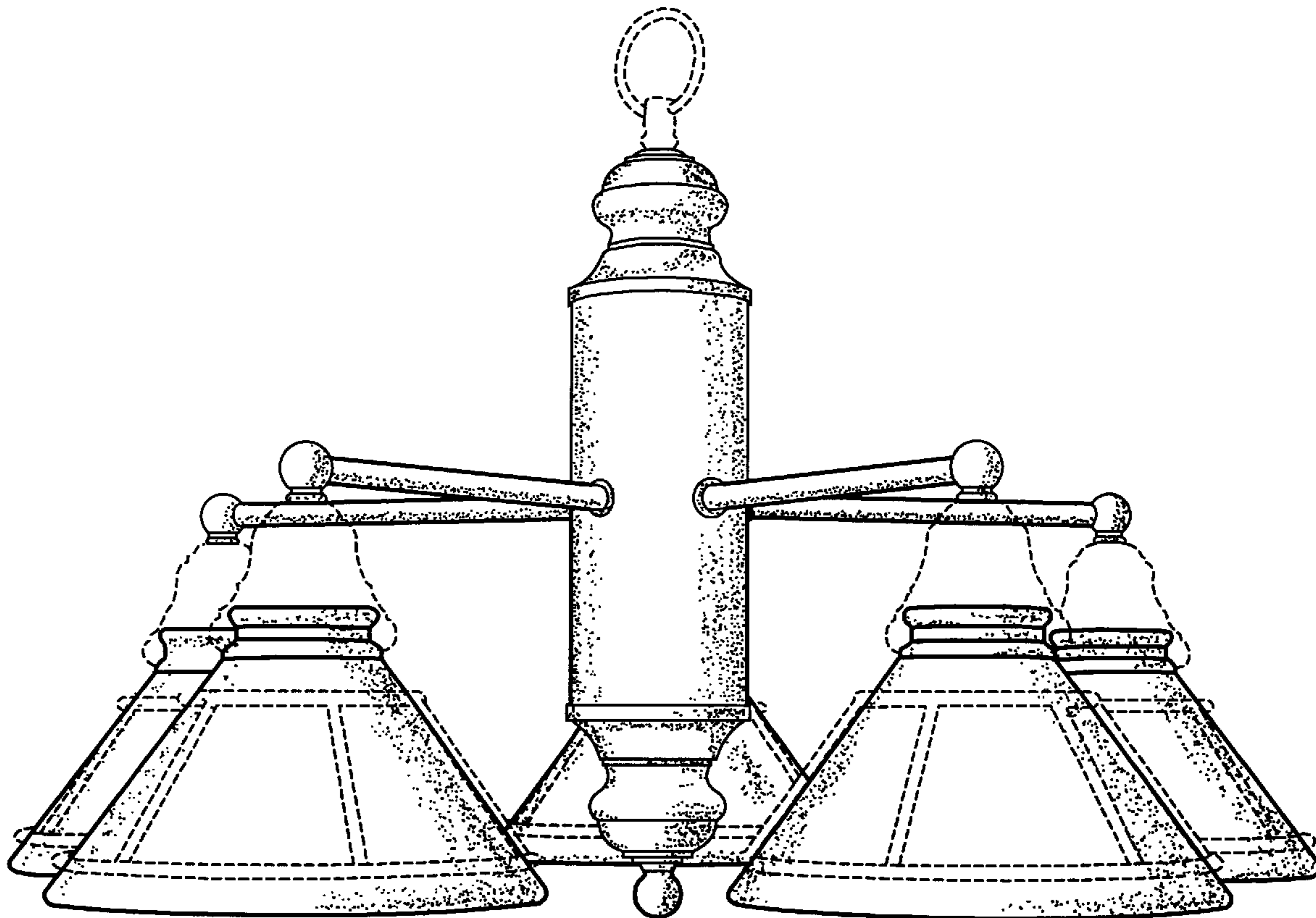
### U.S. PATENT DOCUMENTS

D. 204,078	3/1966	Page .....	D26/81
D. 304,769	11/1989	De'Armond .....	D26/84
D. 366,535	1/1996	Dolan .....	D26/86
D. 393,919	4/1998	Dolan .....	D26/136

### OTHER PUBLICATIONS

Murray Feiss 125 Rose Feiss Blvd Bronx, NY 10454 Cat. vol. FX1-96, 1996 p. FX-78, Model F1557/3+1.  
Quoizel Inc. 325 Kennedy Drive Hauppauge, NY 11788 Catalog 1995, Americana Series p. 13, Model AE519Y.

**1 Claim, 4 Drawing Sheets**



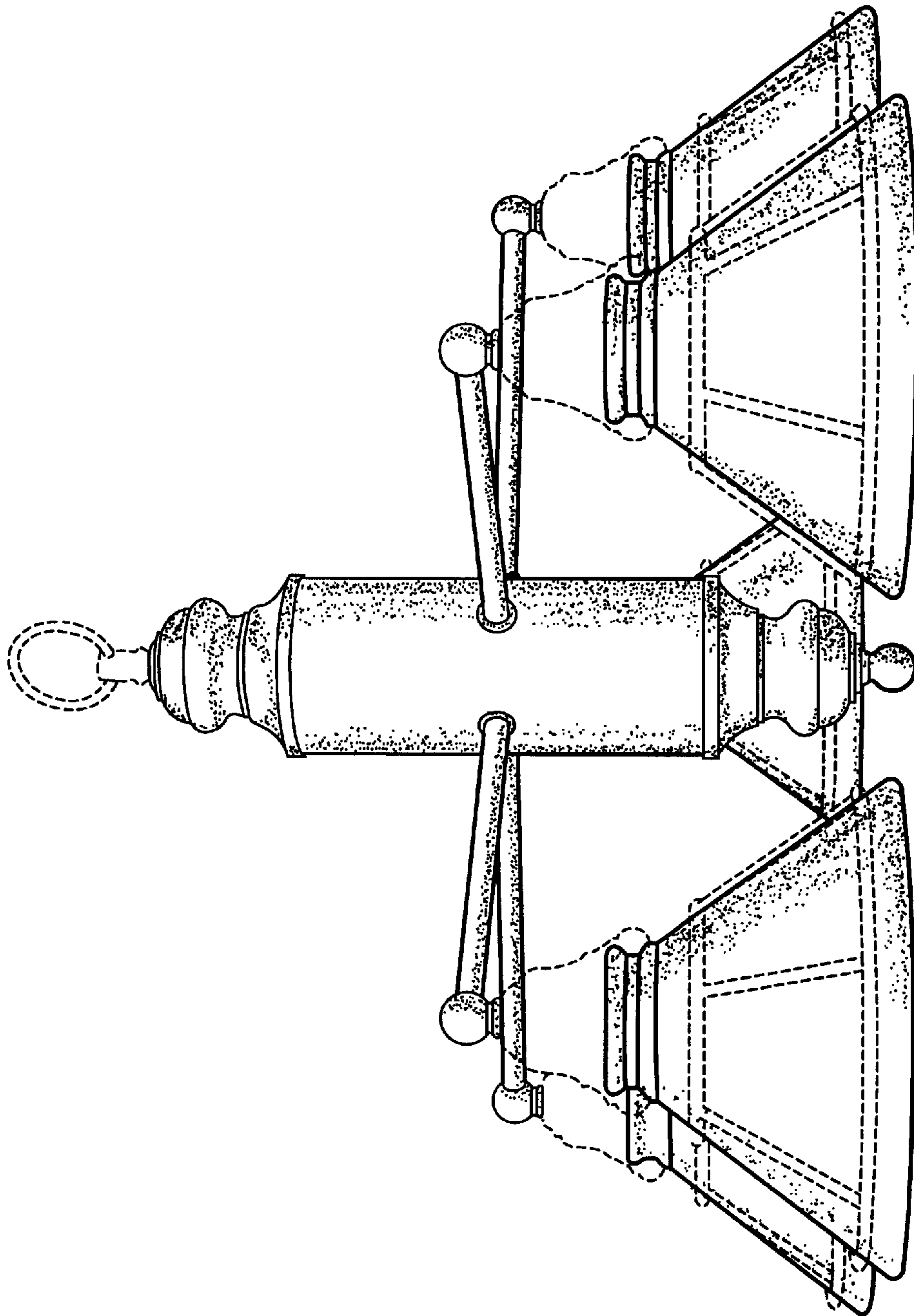


FIG. 1

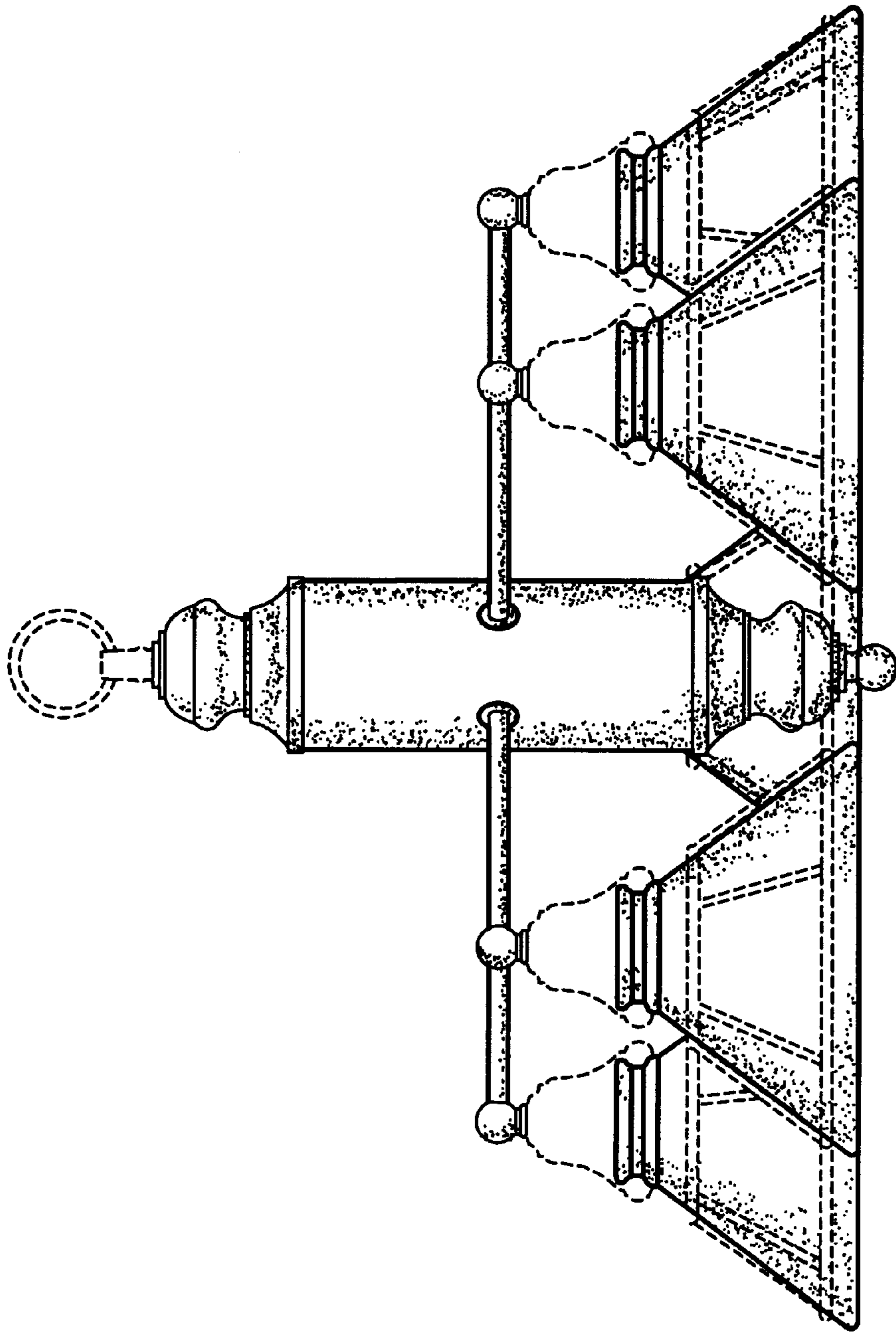


FIG. 2

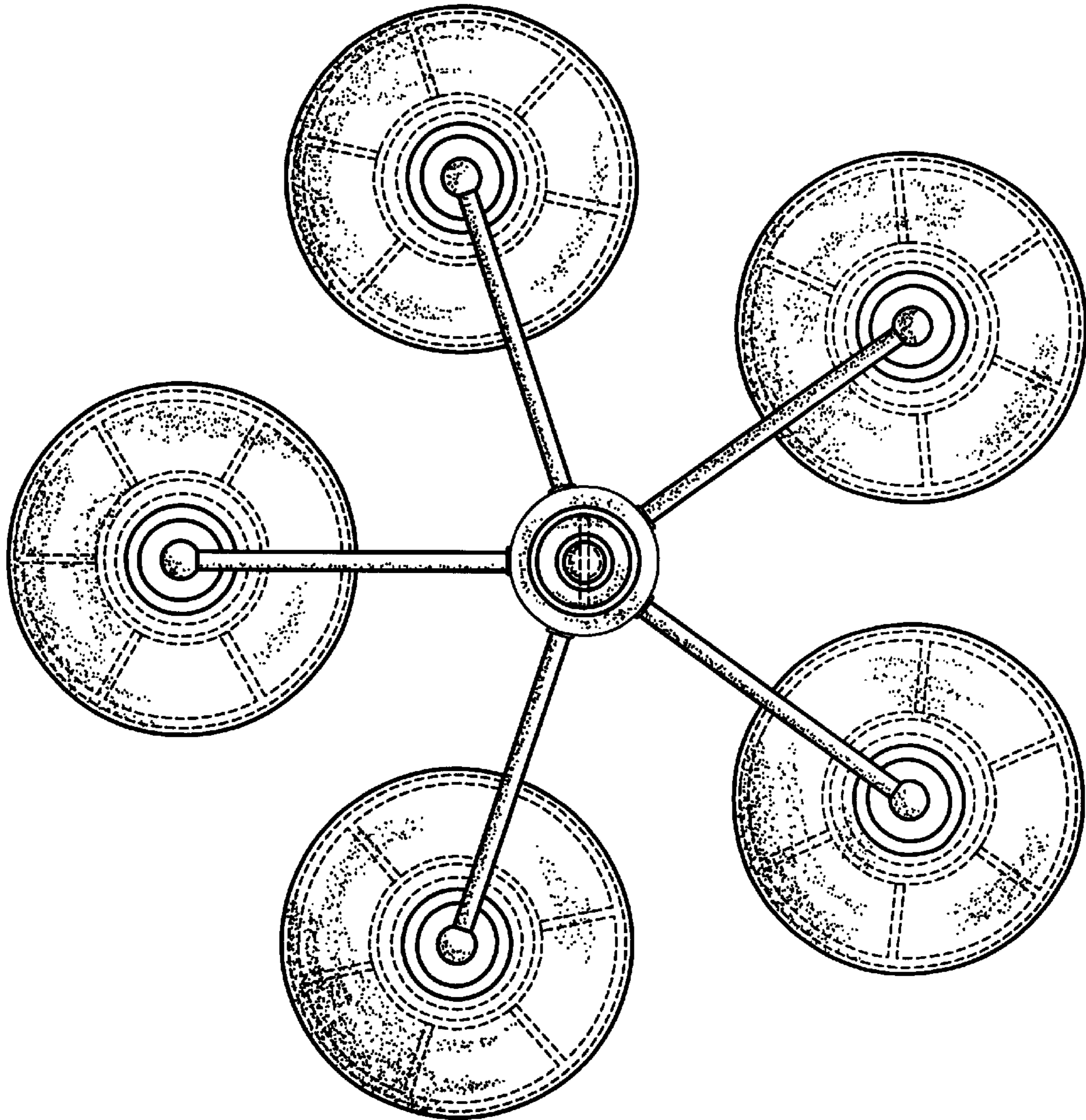


FIG. 3

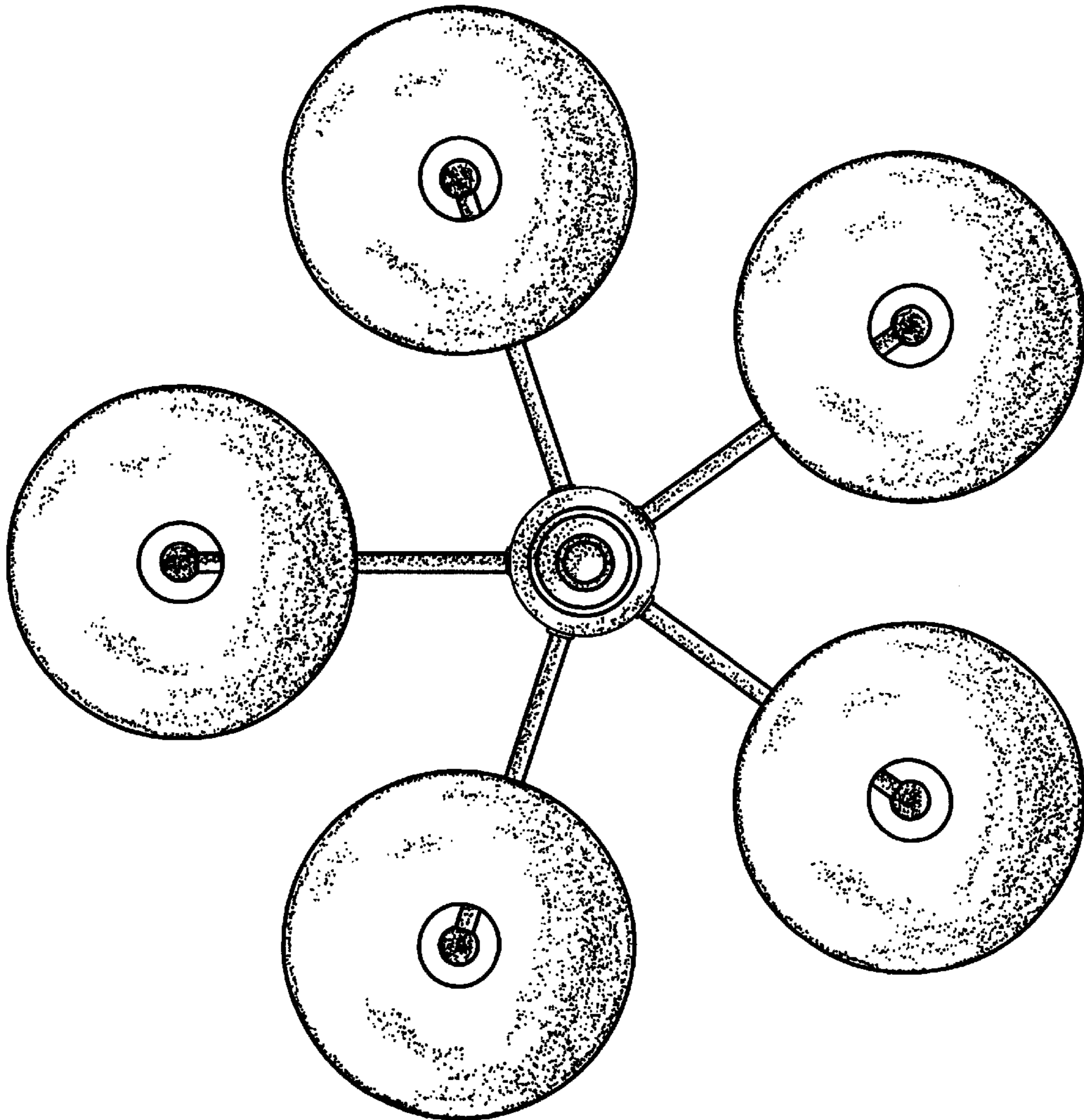


FIG. 4