



US00D409783S

United States Patent [19] Hammar

[11] **Patent Number: Des. 409,783**

[45] **Date of Patent: ** May 11, 1999**

[54] **CHANDELIER**

[75] Inventor: **Richard Hammar**, Mentor, Ohio

[73] Assignee: **The L.D. Kichler Co.**, Cleveland, Ohio

[**] Term: **14 Years**

[21] Appl. No.: **29/088,352**

[22] Filed: **May 21, 1998**

[51] **LOC (6) Cl.** **26-05**

[52] **U.S. Cl.** **D26/81; D26/143**

[58] **Field of Search** D26/72, 80, 81,
D26/82, 83, 84, 85, 86, 88, 89, 90, 142,
143, 144; 362/404-408, 147

[56] **References Cited**

U.S. PATENT DOCUMENTS

- D. 359,140 6/1995 Porter D26/81
- D. 398,067 9/1998 Hammar D26/81

OTHER PUBLICATIONS

- Minka-Lavery lighting catalog, p. 37 chandelier #H 336-TW, 1994.
- Kichler Lighting catalog dated Jan. 1997, p. S-244, printed U.S.A.

Primary Examiner—Susan J. Lucas
Attorney, Agent, or Firm—Watts, Hoffmann, Fisher & Heinke, Co., L.P.A.

[57] **CLAIM**

I claim the ornamental design for a chandelier, as shown and described.

DESCRIPTION

FIG. 1 is a perspective view of a chandelier showing my new design;

FIG. 2 is a front elevational view of the chandelier, the rear elevational view being identical;

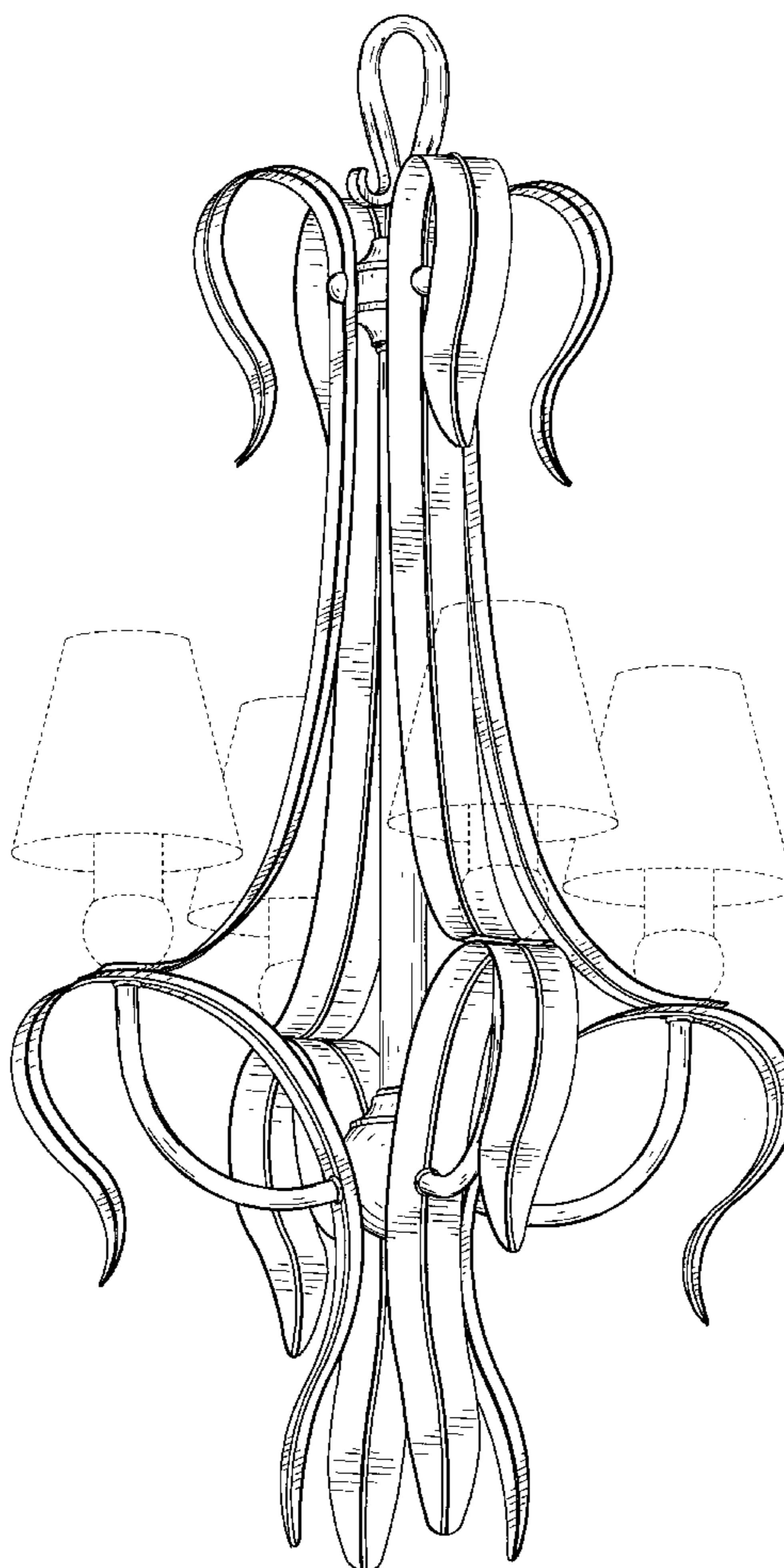
FIG. 3 is a right side elevational view of the chandelier, the left side elevational view being identical;

FIG. 4 is a top plan view of the chandelier; and,

FIG. 5 is a bottom plan view of the chandelier.

The broken lines shown are for illustrative purposes only and forms no part of the claimed design.

1 Claim, 4 Drawing Sheets



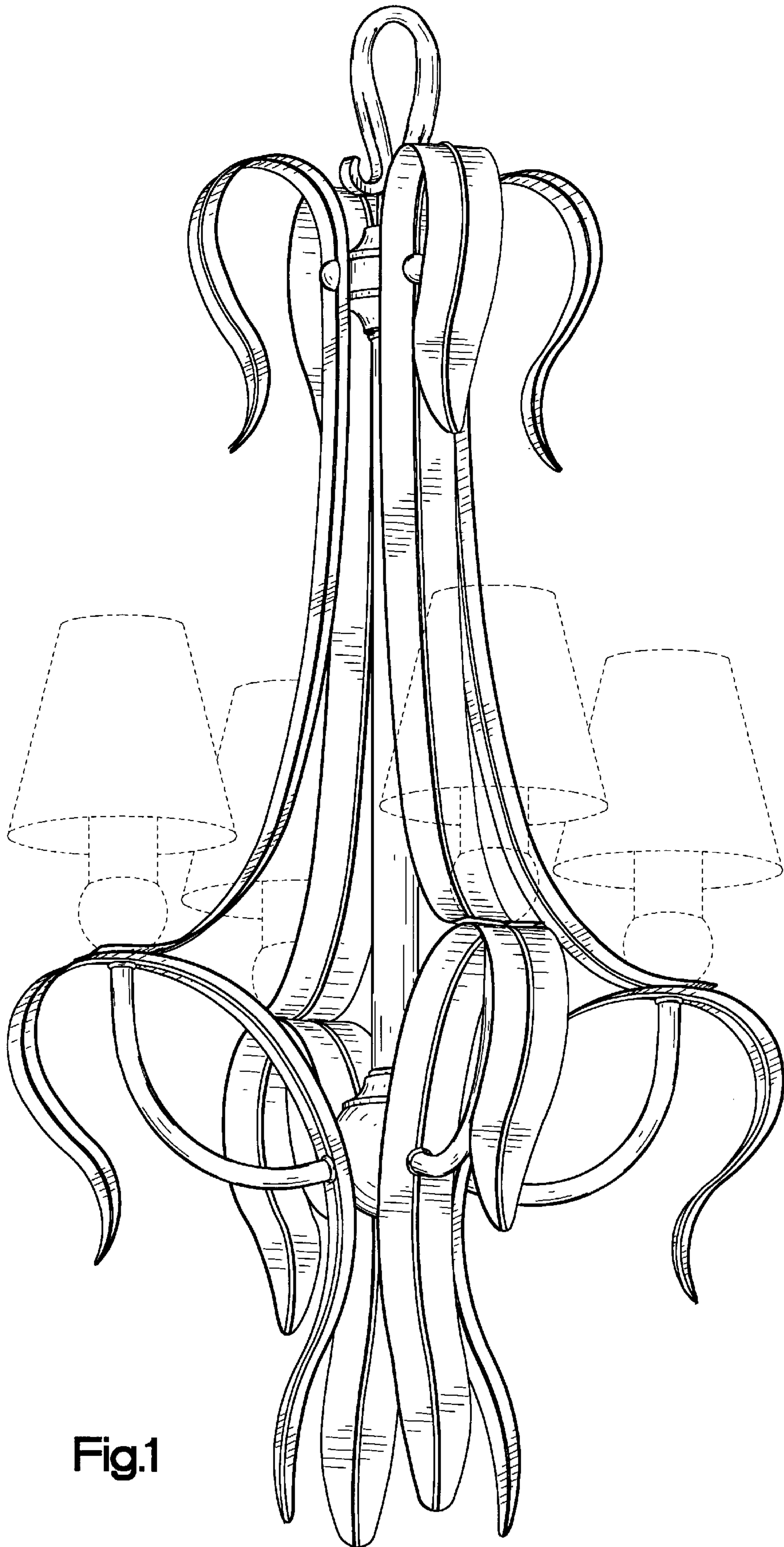


Fig.1

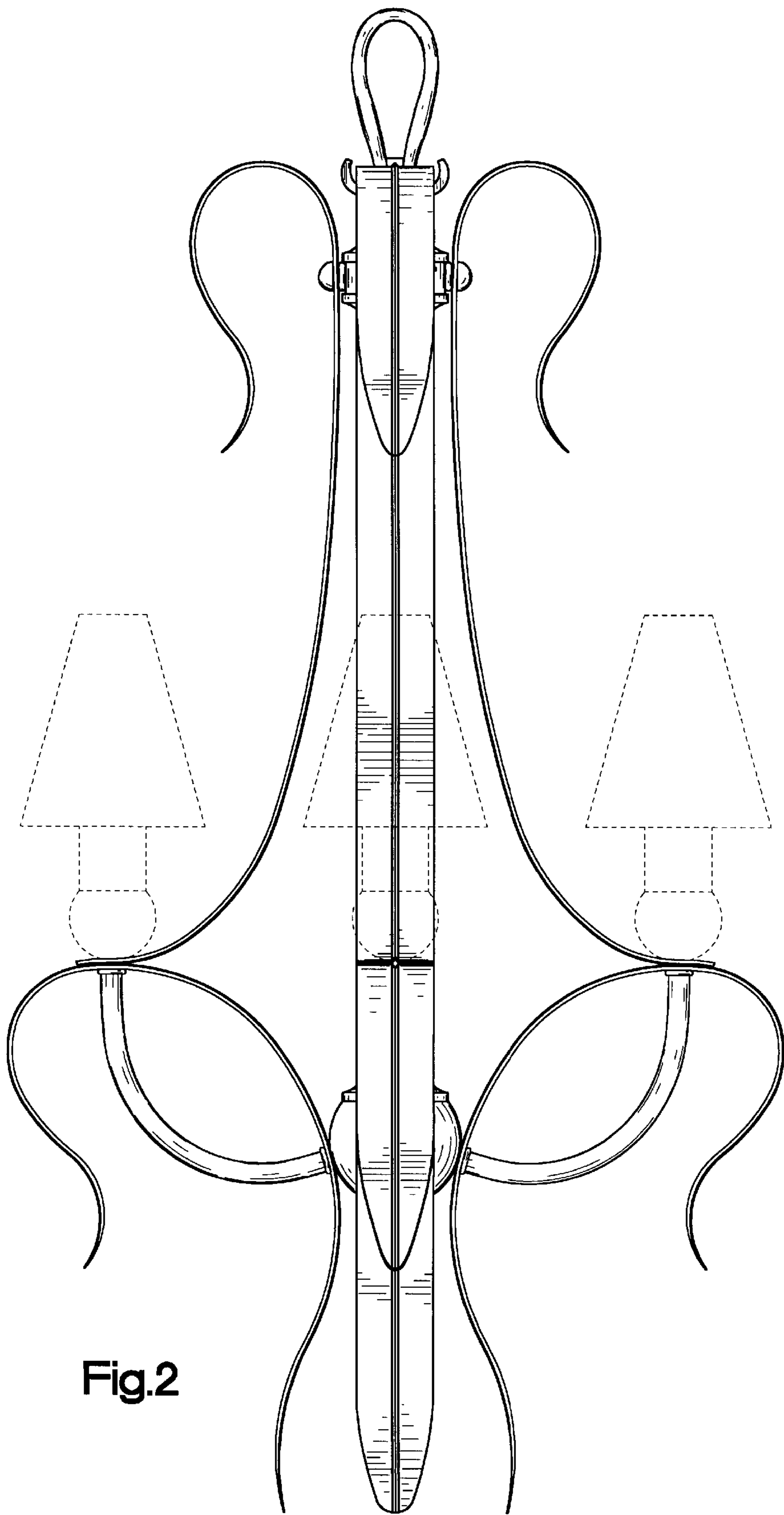


Fig.2

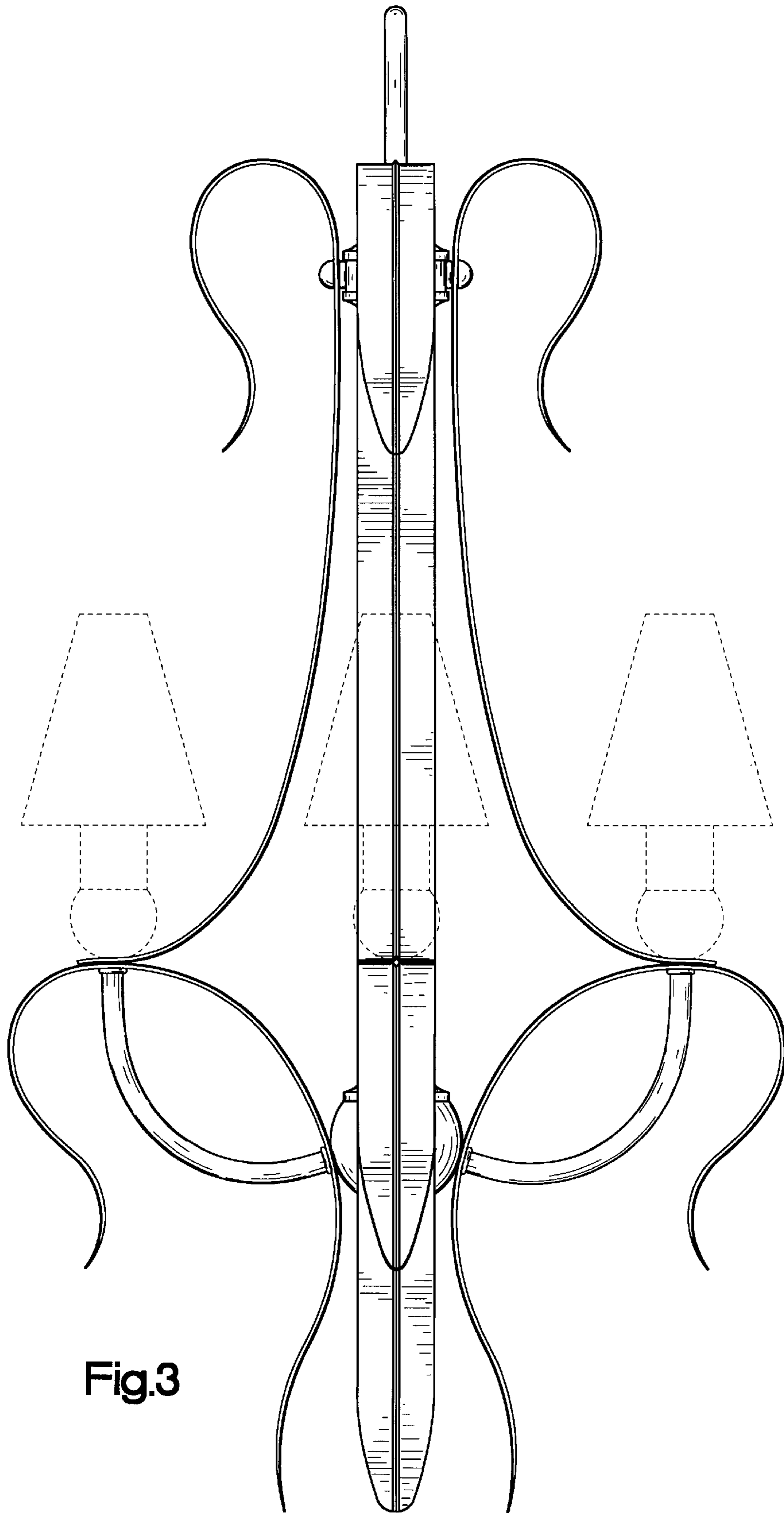


Fig.3

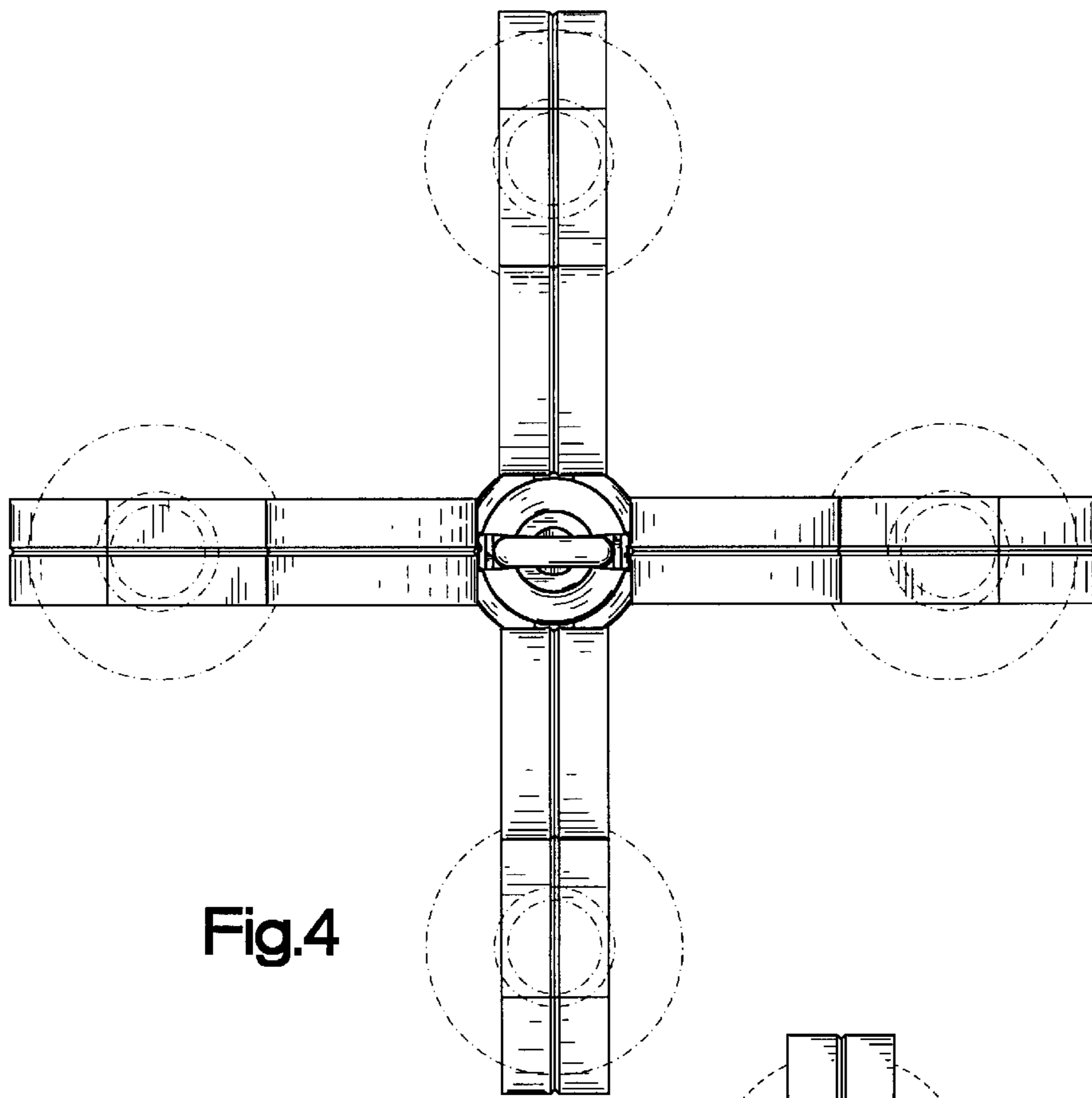


Fig.4

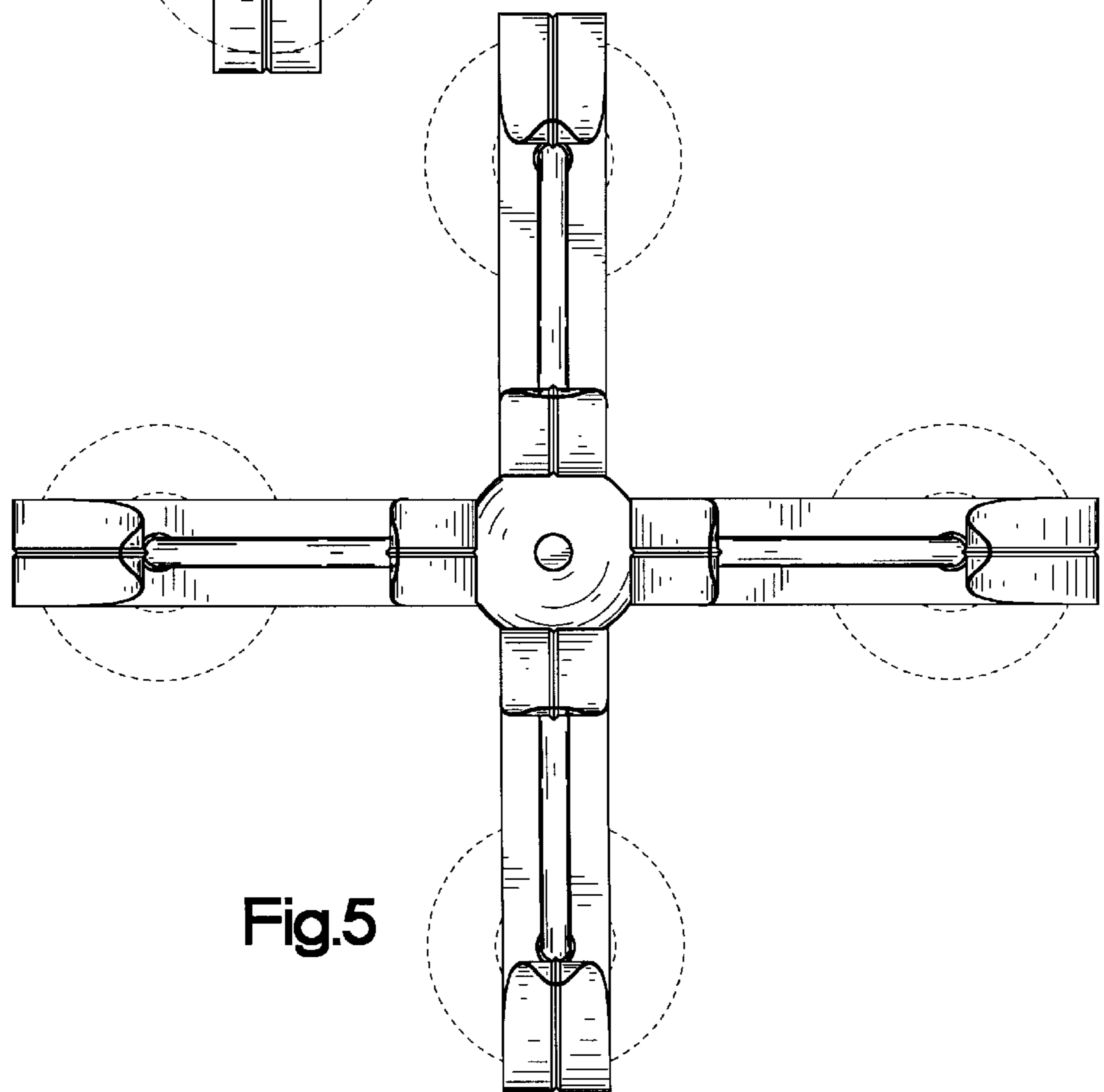


Fig.5