



US00D409780S

United States Patent [19]
Maxwell

[11] **Patent Number: Des. 409,780**

[45] **Date of Patent: ** May 11, 1999**

[54] **OUTDOOR LANTERN HOUSING**

[75] Inventor: **Richard Maxwell**, Mt. Pleasant, S.C.

[73] Assignee: **Quoizel, Inc.**, Goose Creek, S.C.

[**] Term: **14 Years**

[21] Appl. No.: **29/073,098**

[22] Filed: **Jun. 30, 1997**

[51] **LOC (6) Cl.** **26-05**

[52] **U.S. Cl.** **D26/67; 26/87**

[58] **Field of Search** D26/72, 80-92,
D26/67-71; 362/147, 432, 431, 362, 363,
153, 153.1, 269

[56] **References Cited**

U.S. PATENT DOCUMENTS

2,967,230 1/1961 Goetz 362/269
3,239,958 3/1966 Daum 362/431 X

OTHER PUBLICATIONS

Home Lighting and Accessories, p. 19, exterior wall lamp,
exterior lamp box, Aug. 1995.
Kichler Lighting catalog, p. 93, post lantern # K-9955,
exterior lamp box, 1989.

Primary Examiner—Susan J. Lucas
Attorney, Agent, or Firm—Gallagher & Kennedy

[57] **CLAIM**

The ornamental design for an outdoor lantern housing, as shown and described.

DESCRIPTION

FIG. 1 is a three-quarter perspective view of an outdoor lantern housing showing my new design.

FIG. 2 is a front elevation view of the outdoor lantern housing of FIG. 1.

FIG. 3 is a left side view thereof.

FIG. 4 is a rear elevation view thereof.

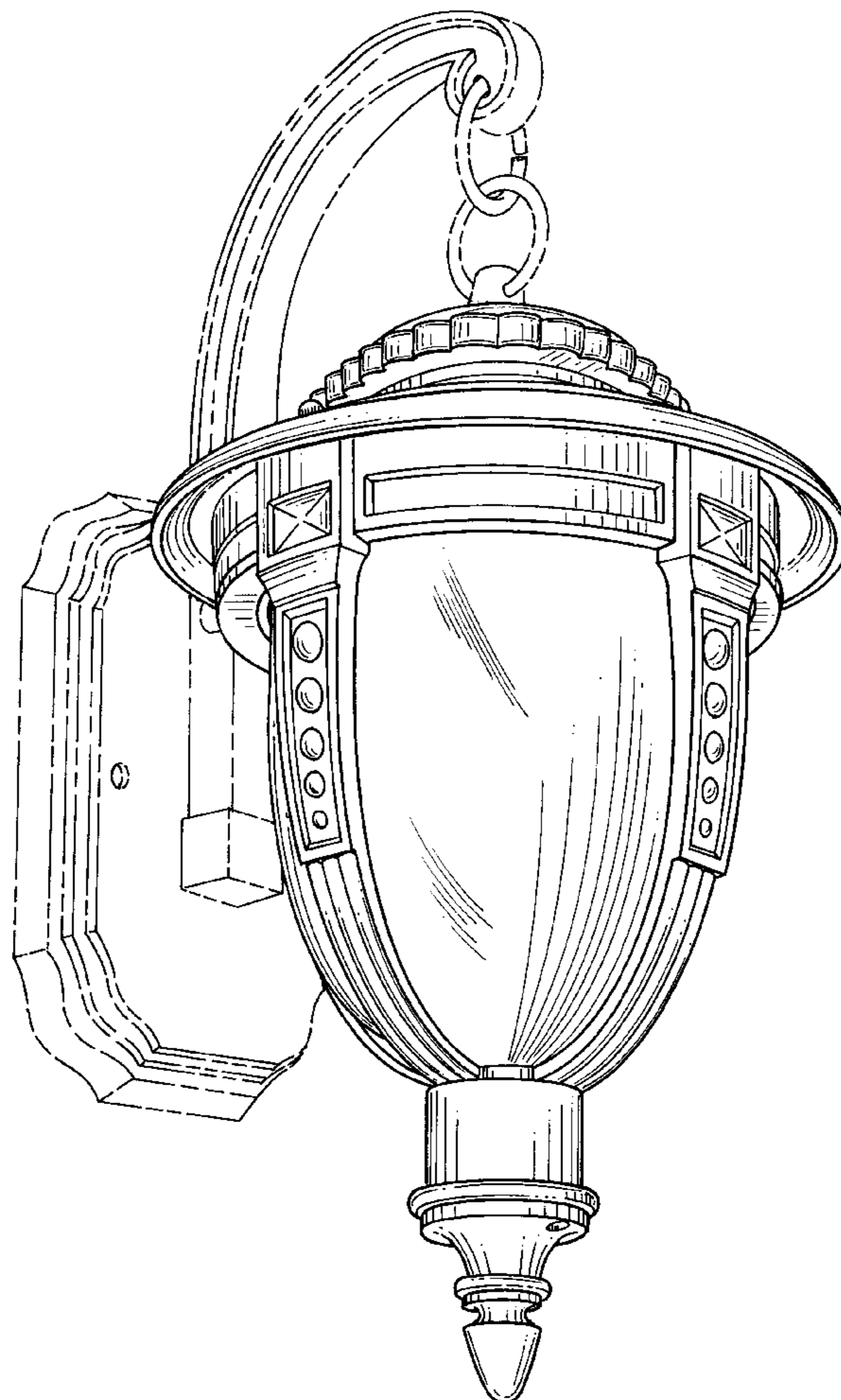
FIG. 5 is a top view thereof.

FIG. 6 is a bottom view thereof; and,

FIG. 7 is a three-quarter bottom perspective view of the housing of FIG. 1, with alternate mounting provisions shown in broken lines.

Elements of the drawing illustrated in broken lines are for environment only and do not form part of my inventive design.

1 Claim, 6 Drawing Sheets



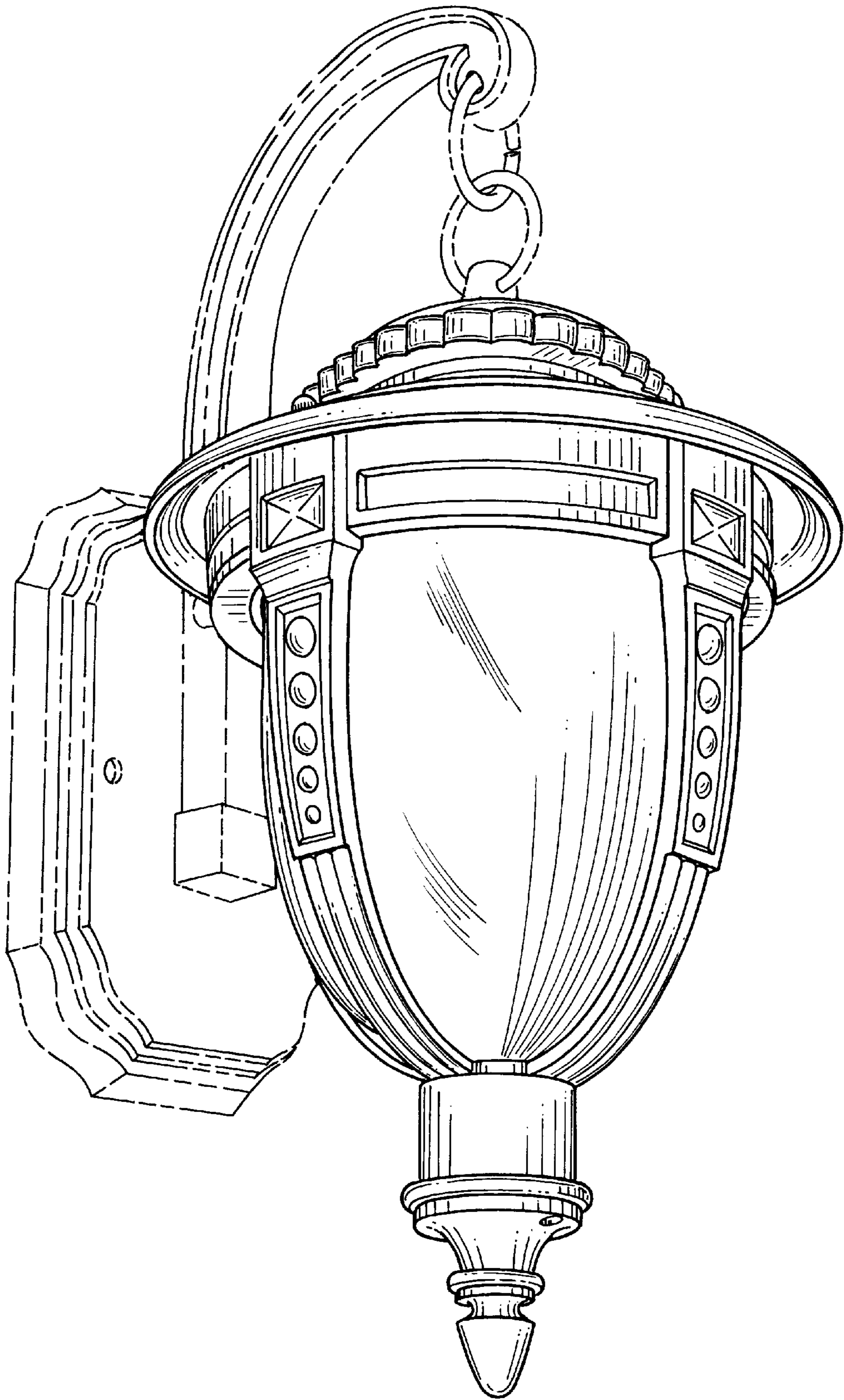


FIG. 1

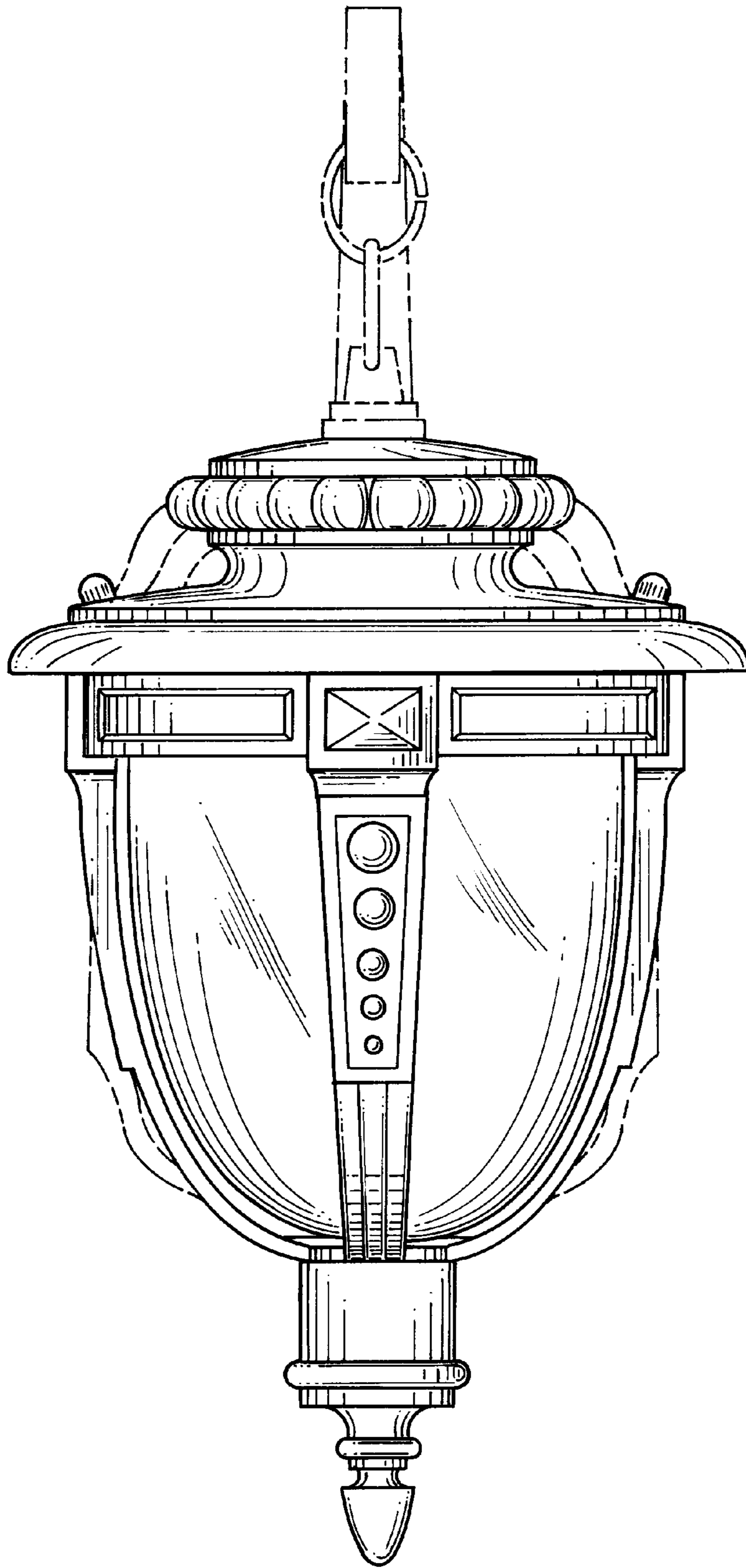


FIG. 2

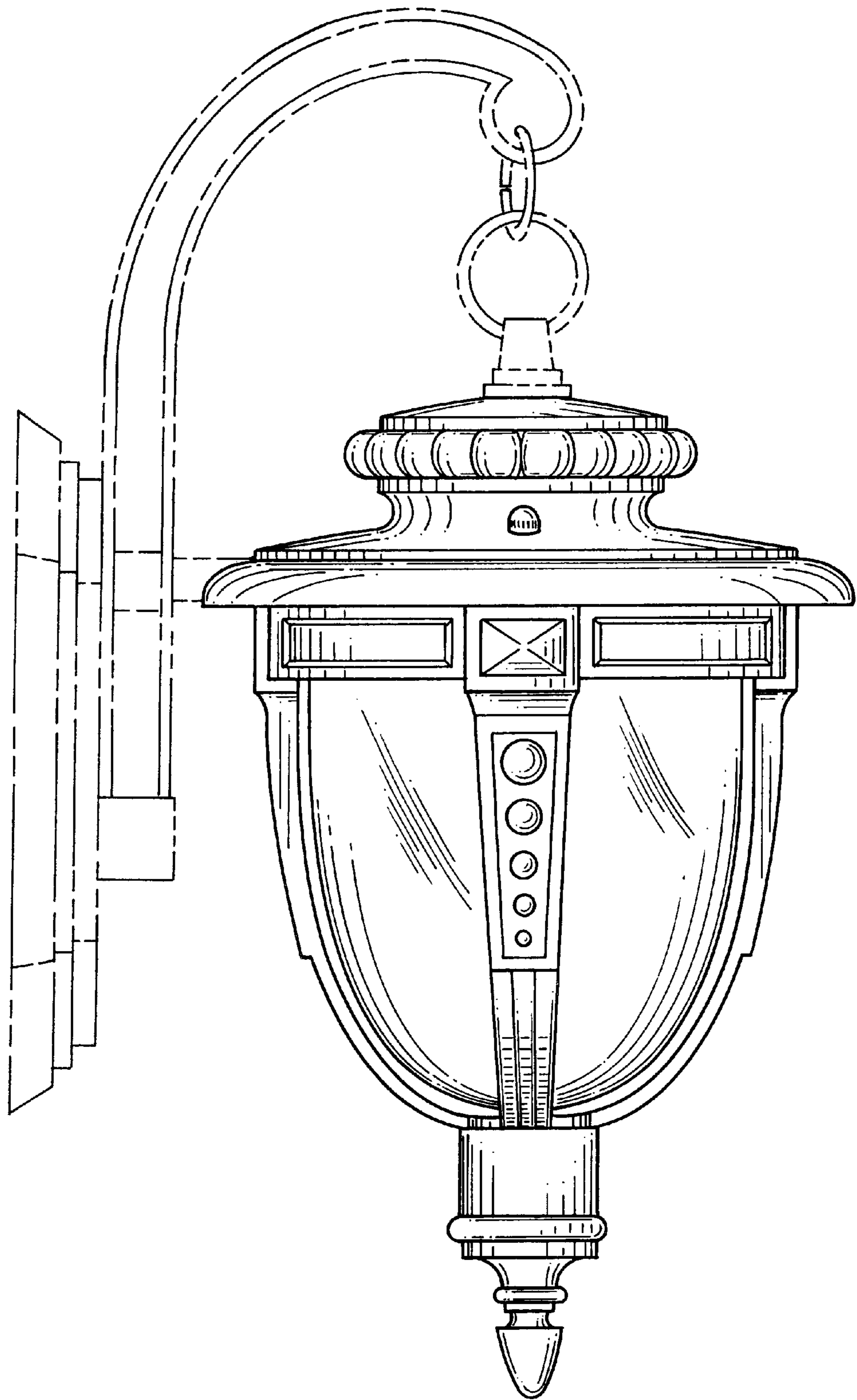


FIG. 3

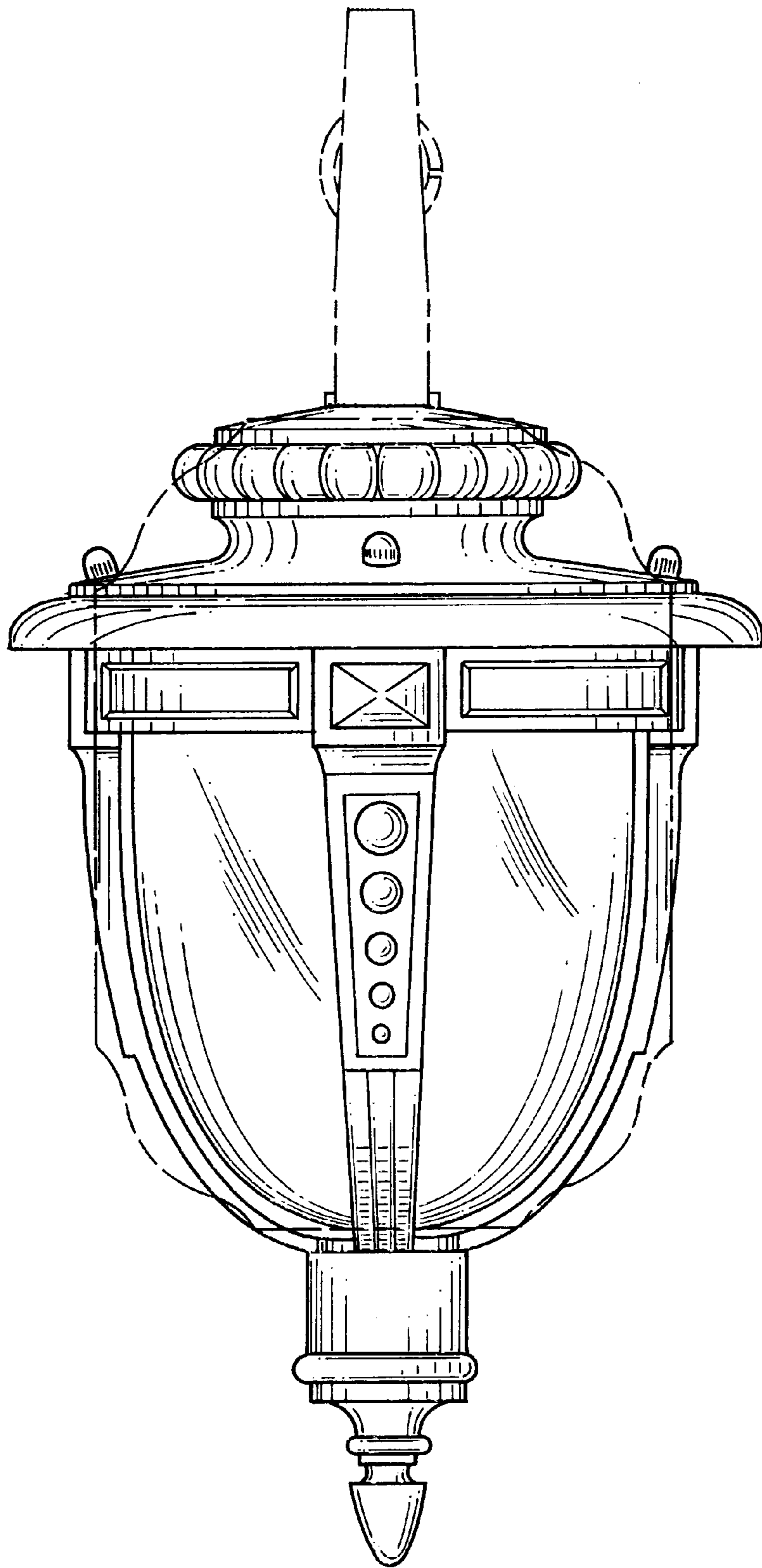


FIG. 4

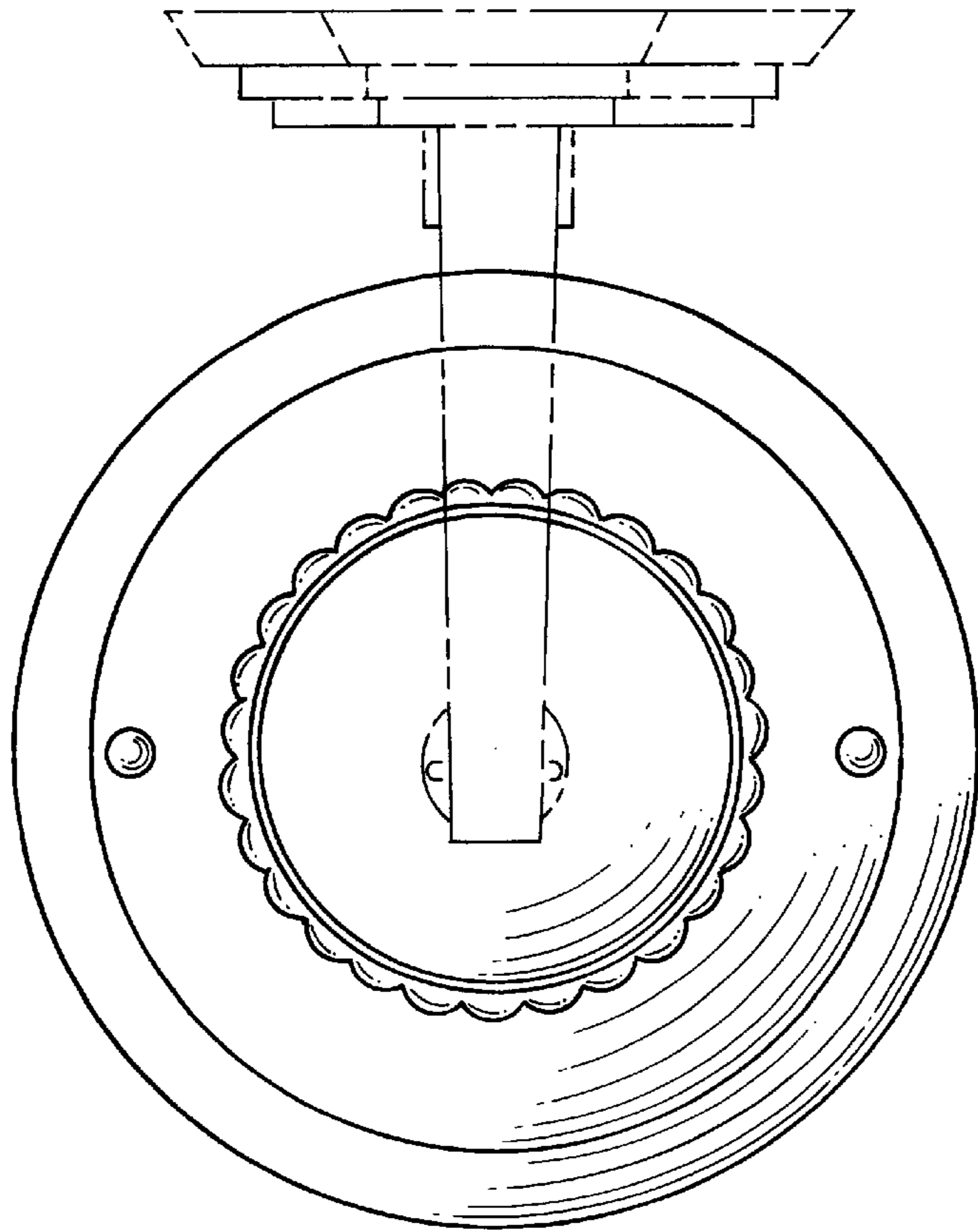


FIG. 5

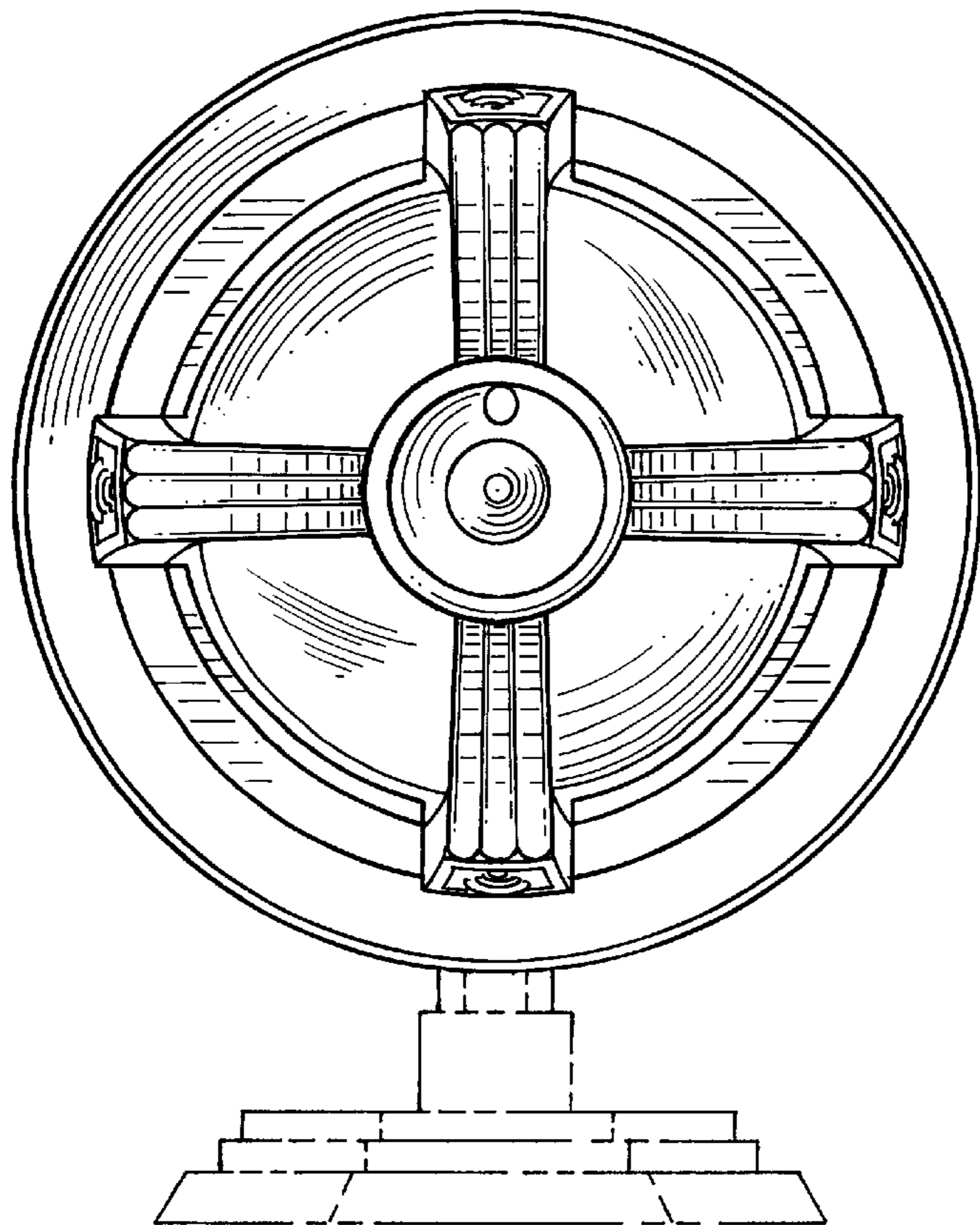


FIG. 6

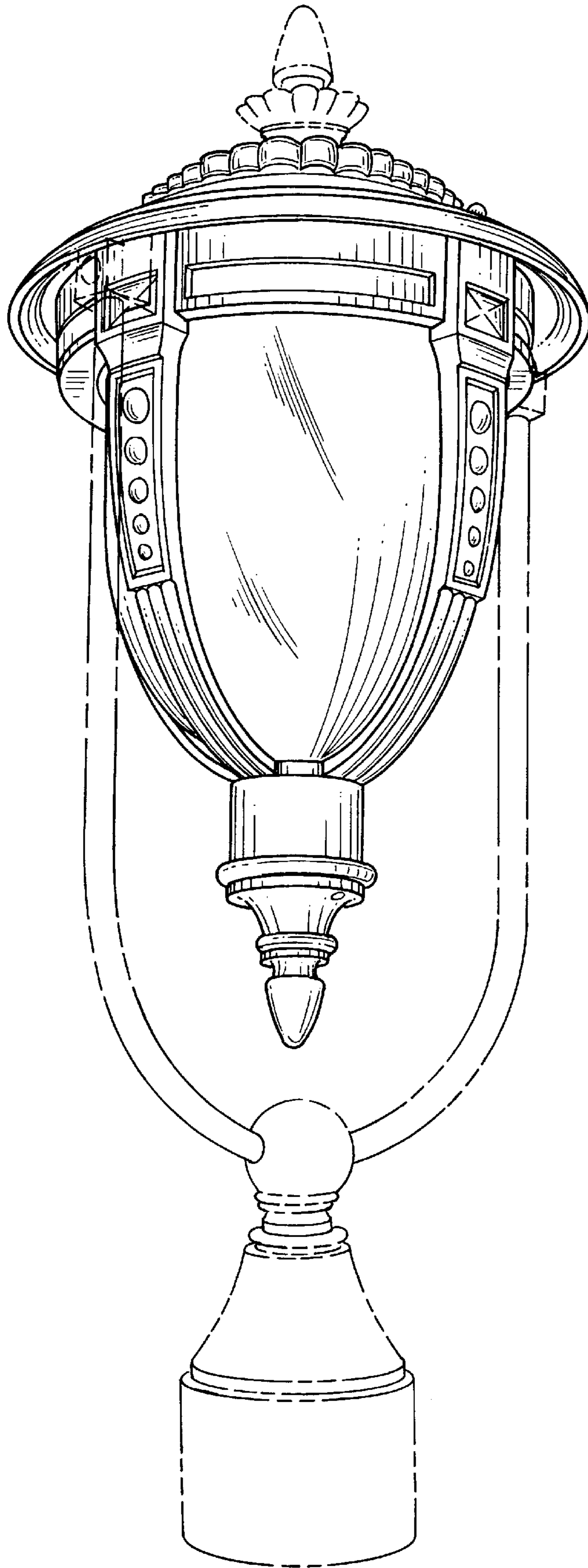


FIG. 7