



US00D409778S

# United States Patent [19] Chu

[11] **Patent Number: Des. 409,778**

[45] **Date of Patent: \*\* May 11, 1999**

[54] **FLASHLIGHT**

[75] **Inventor: Sung-Fu Chu, Nan-Tou Hsien, Taiwan**

[73] **Assignee: Kung Long Batteries Industrial Co. Ltd., Taiwan**

[\*\*] **Term: 14 Years**

[21] **Appl. No.: 29/090,969**

[22] **Filed: Jul. 21, 1998**

[51] **LOC (6) Cl. .... 26-02**

[52] **U.S. Cl. .... D26/44**

[58] **Field of Search ..... D26/37-50; 362/157, 362/158, 183-208**

[56] **References Cited**

**U.S. PATENT DOCUMENTS**

- D. 310,574 9/1990 Trattner ..... D26/44
- D. 324,110 2/1992 Yuen ..... D26/44
- D. 349,776 8/1994 Yuen ..... D26/37

- D. 375,570 11/1996 Hayakawa et al. .... D26/44
- D. 378,434 3/1997 Petterson et al. .... D26/44
- D. 402,070 12/1998 Poon ..... D26/44

*Primary Examiner*—Marcus A. Jackson  
*Attorney, Agent, or Firm*—Brinks Hofer Gilson & Lione

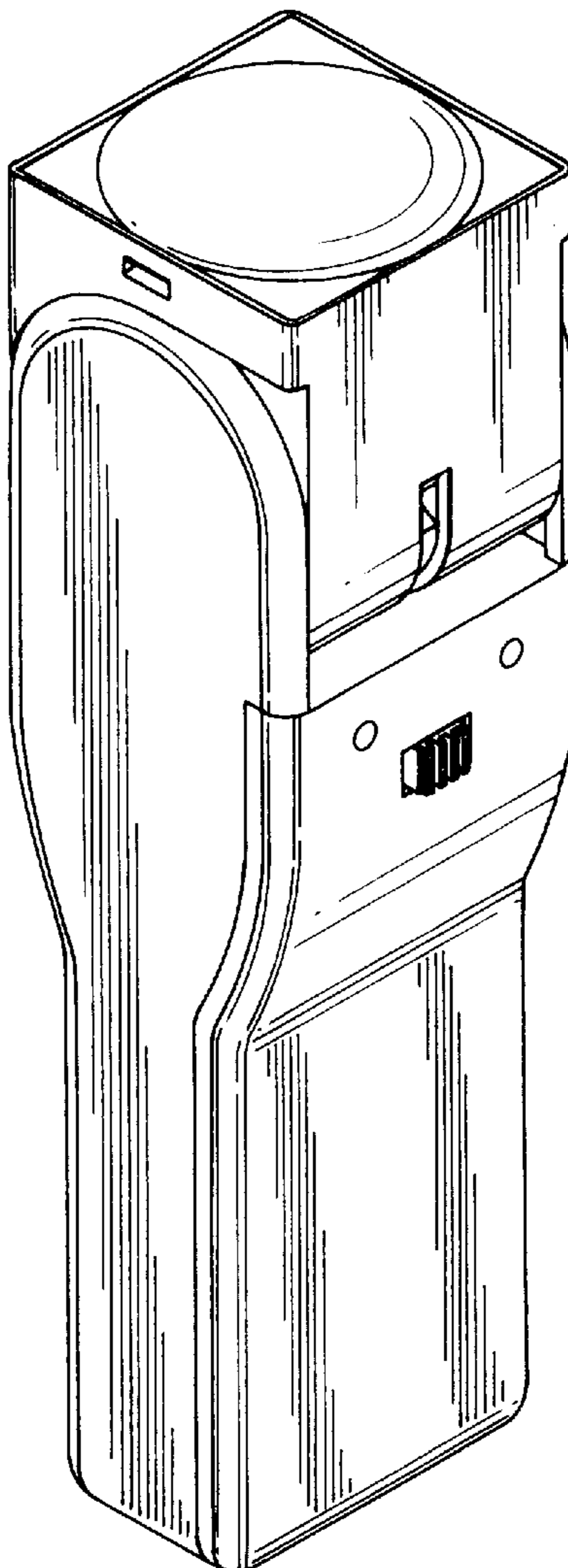
[57] **CLAIM**

The ornamental design for flashlight, as shown and described.

**DESCRIPTION**

FIG. 1 is a perspective view of flashlight showing my new design;  
FIG. 2 is a front elevational view thereof;  
FIG. 3 is a rear elevational view thereof;  
FIG. 4 is a left side elevational view thereof;  
FIG. 5 is a right side elevational view thereof;  
FIG. 6 is a top plan view thereof; and,  
FIG. 7 is a bottom plan view thereof.

**1 Claim, 4 Drawing Sheets**



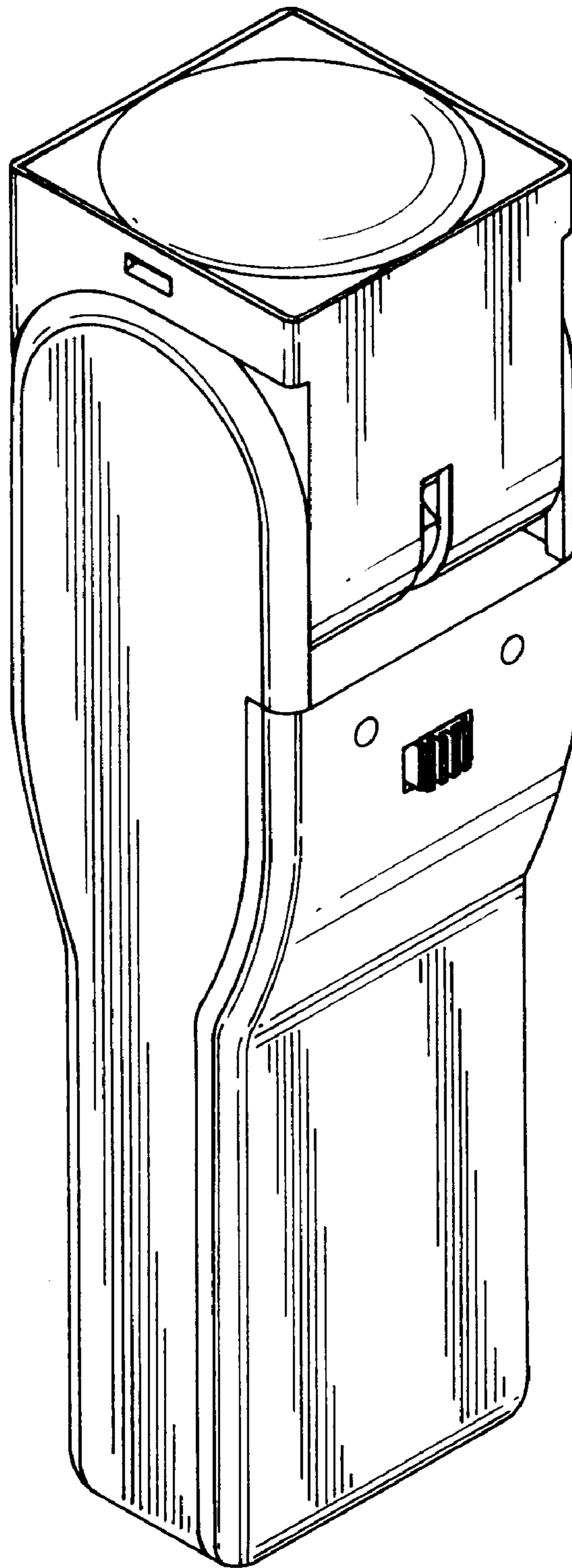


FIG. 1

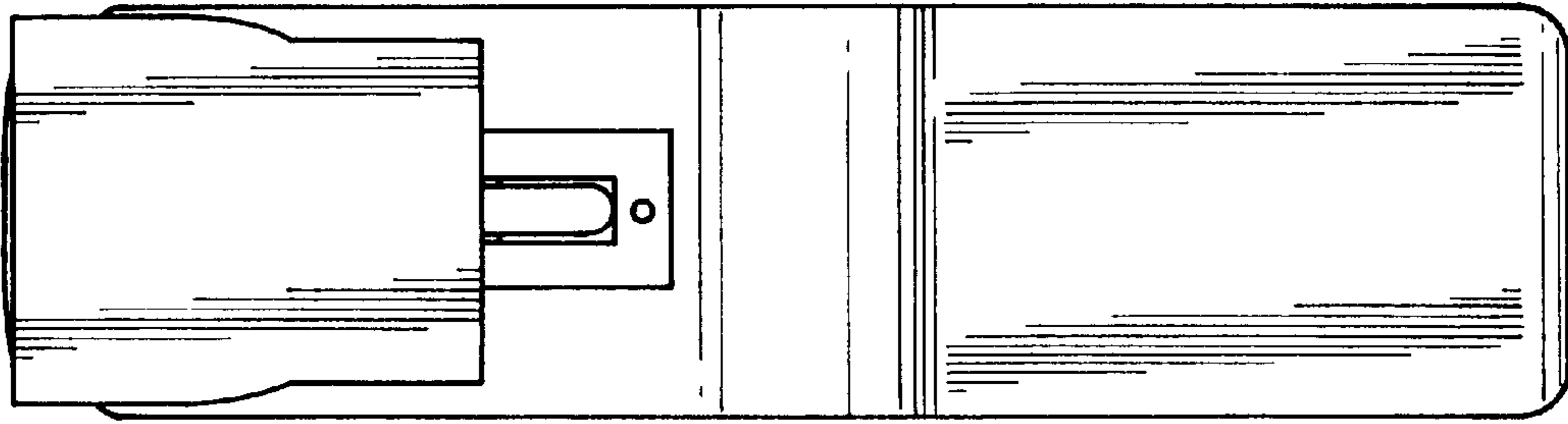


FIG. 3

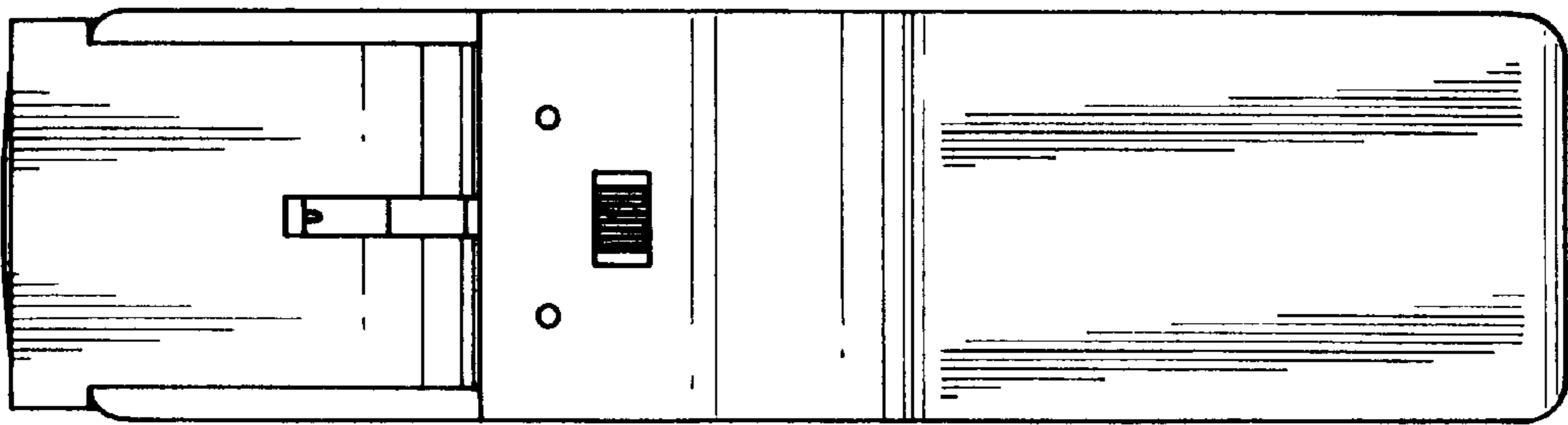


FIG. 2

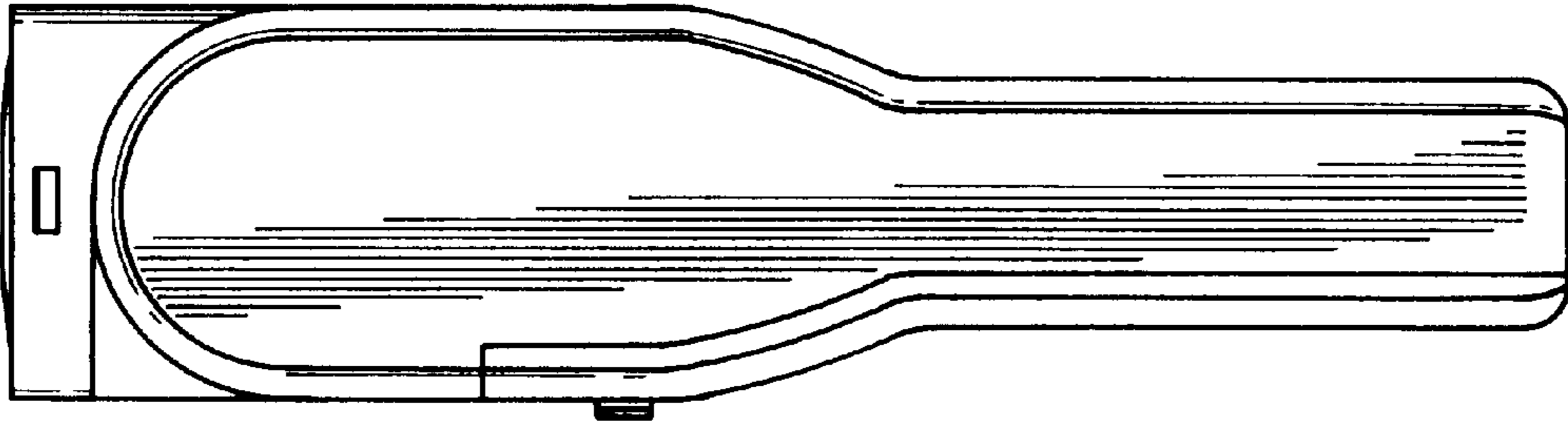


FIG. 5

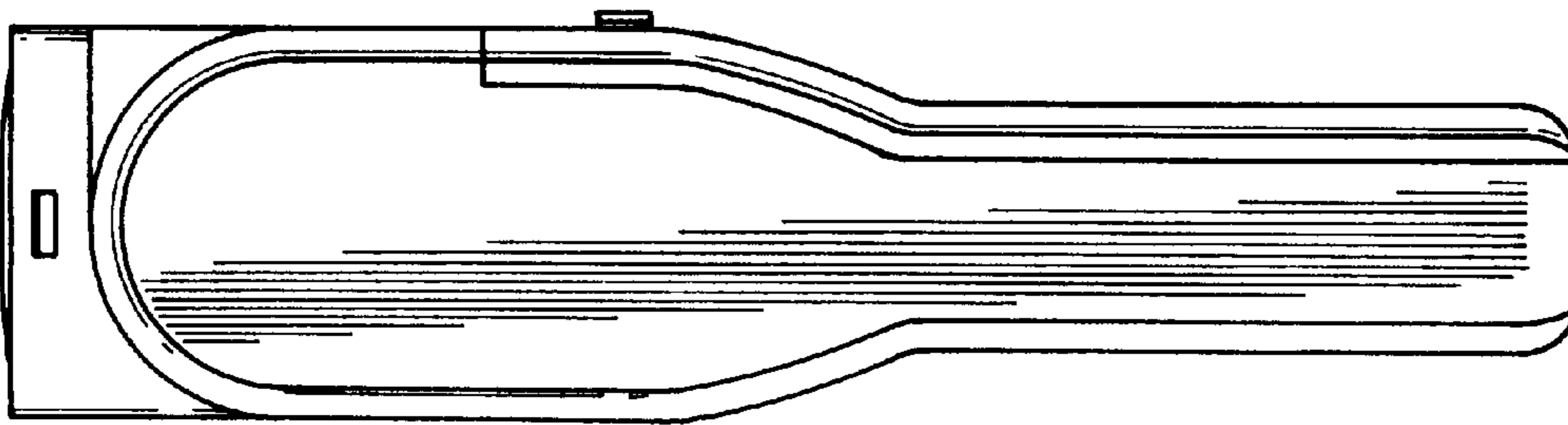


FIG. 4

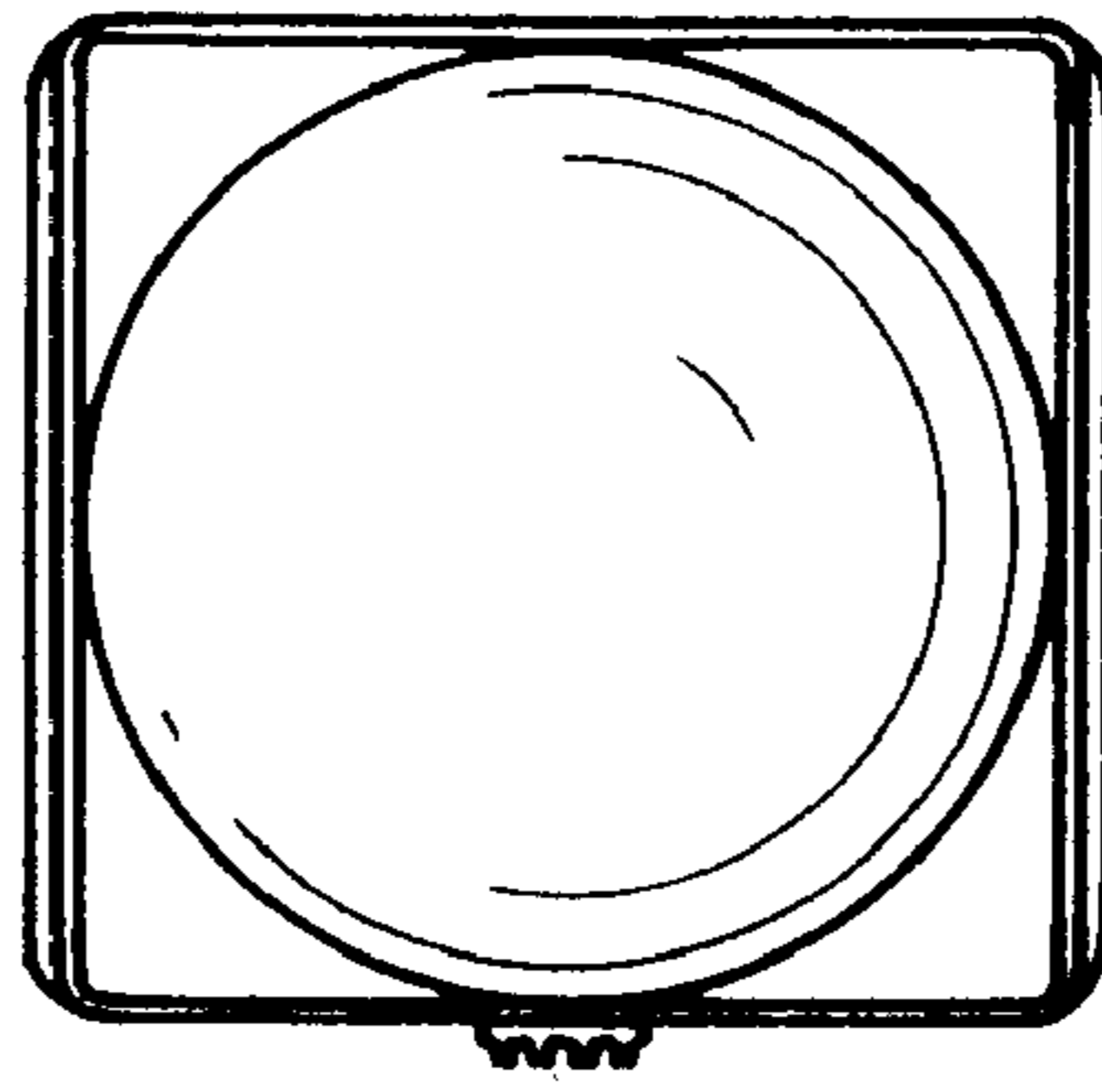


FIG. 6

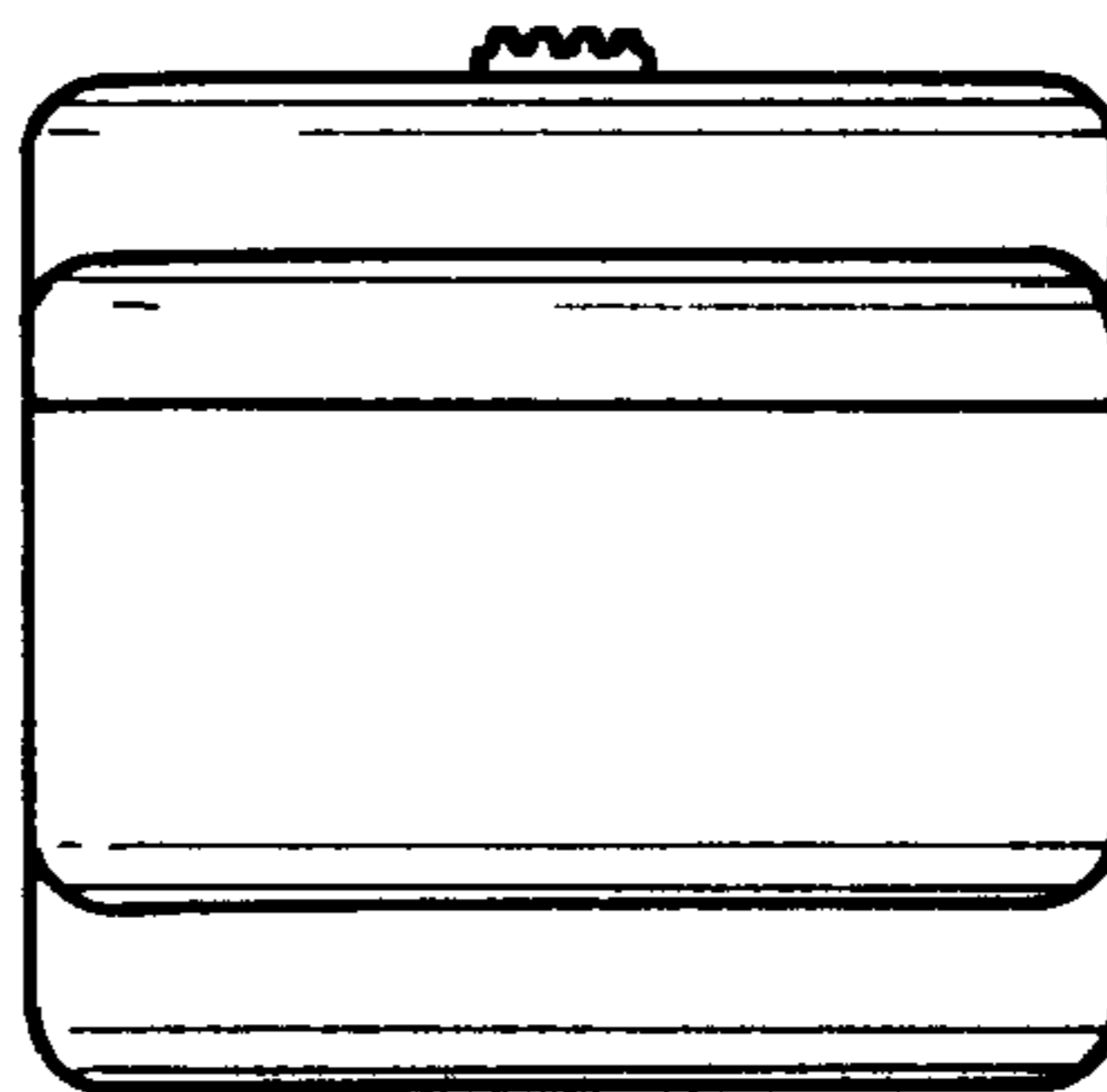


FIG. 7