



US00D409777S

# United States Patent [19]

Sharrah et al.

[11] Patent Number: **Des. 409,777**

[45] Date of Patent: **\*\* May 11, 1999**

## [54] FLASHLIGHT

[75] Inventors: **Raymond Sharrah**, Collegeville; **John DiNenna**, Bridgeport; **Charles Craft**, Lansdale, all of Pa.

[73] Assignee: **Streamlight, Inc.**, Norristown, Pa.

[\*\*] Term: **14 Years**

[21] Appl. No.: **29/065,527**

[22] Filed: **Jan. 28, 1997**

[51] **LOC (6) Cl.** ..... **26-02**

[52] **U.S. Cl.** ..... **D26/44**

[58] **Field of Search** ..... D26/37-50; 362/157, 362/158, 183-208

## [56] References Cited

### U.S. PATENT DOCUMENTS

D. 248,120	6/1978	Ho	.....	D26/50
D. 284,106	6/1986	Drane	.....	D26/50
D. 352,565	11/1994	Yau	.....	D26/50

*Primary Examiner*—Marcus A. Jackson

*Attorney, Agent, or Firm*—Dann, Dorfman, Herrell & Skillman, P.C.; Stephen H. Eland

## [57] CLAIM

The ornamental design for a flashlight, as shown and described.

## DESCRIPTION

FIG. 1 is a perspective view of a flashlight showing our new design;

FIG. 2 is a front elevational view of the flashlight shown in FIG. 1;

FIG. 3 is a rear elevational view of the flashlight illustrated in FIG. 1;

FIG. 4 is a right-side elevational view of the flashlight shown in FIG. 1;

FIG. 5 is a left-side elevational view of the flashlight shown in FIG. 1;

FIG. 6 is a top plan view of the flashlight shown in FIG. 1;

FIG. 7 is a bottom plan view of the flashlight shown in FIG. 1;

FIG. 8 is a perspective view of an alternative configuration of the flashlight shown in FIG. 1;

FIG. 9 is a second perspective view of the alternative configuration shown in FIG. 8;

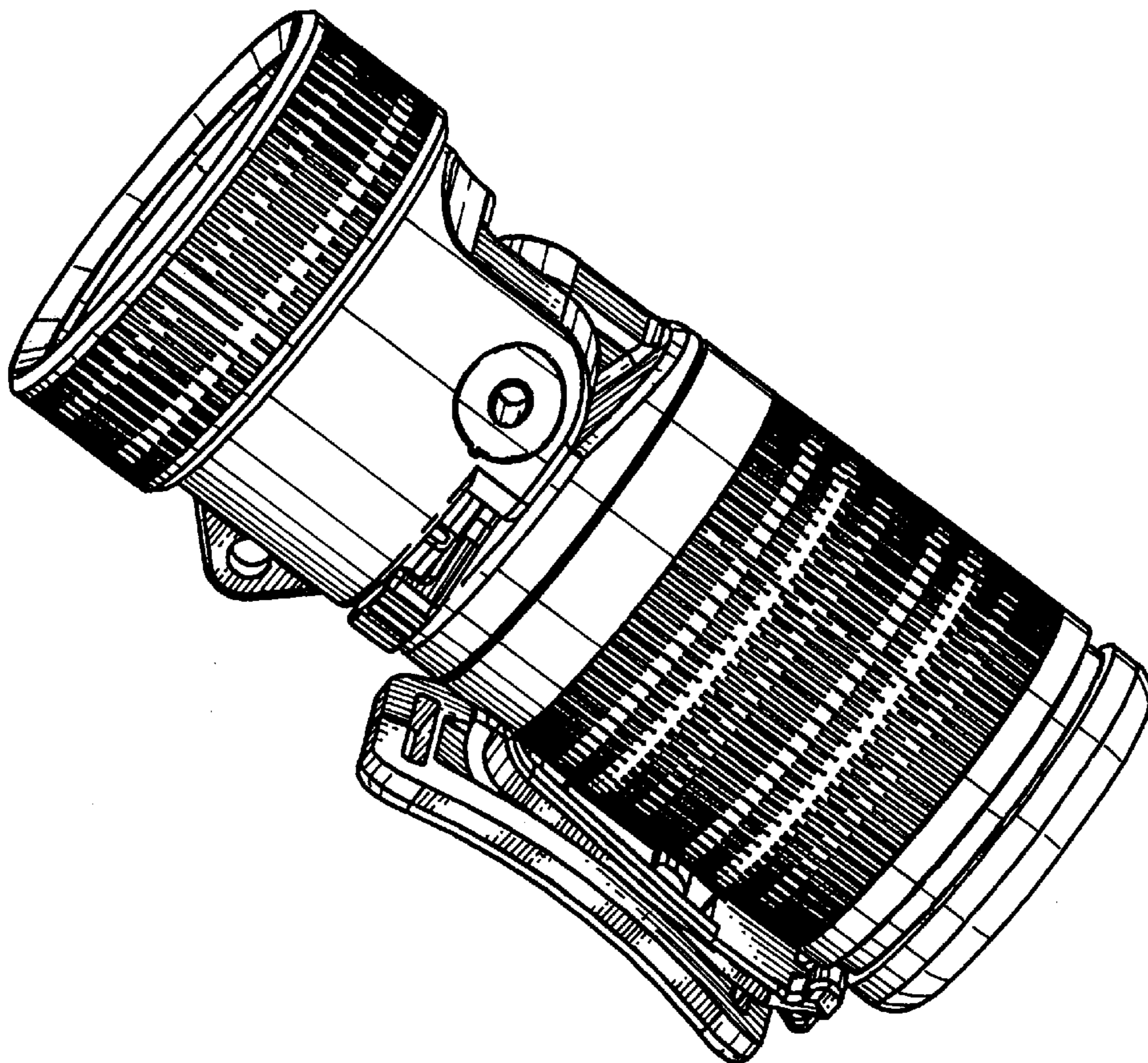
FIG. 10 is a perspective view of an alternative embodiment of a flashlight similar to the embodiment illustrated in FIG. 1, incorporating a mounting saddle;

FIG. 11 is a side-elevational view of the flashlight shown in FIG. 10; and,

FIG. 12 is an alternative embodiment of a flashlight similar to the embodiment illustrated in FIG. 10, having modified gripping surfaces.

Broken lines represent lines of tangency of curved surfaces for shading purposes.

**1 Claim, 7 Drawing Sheets**



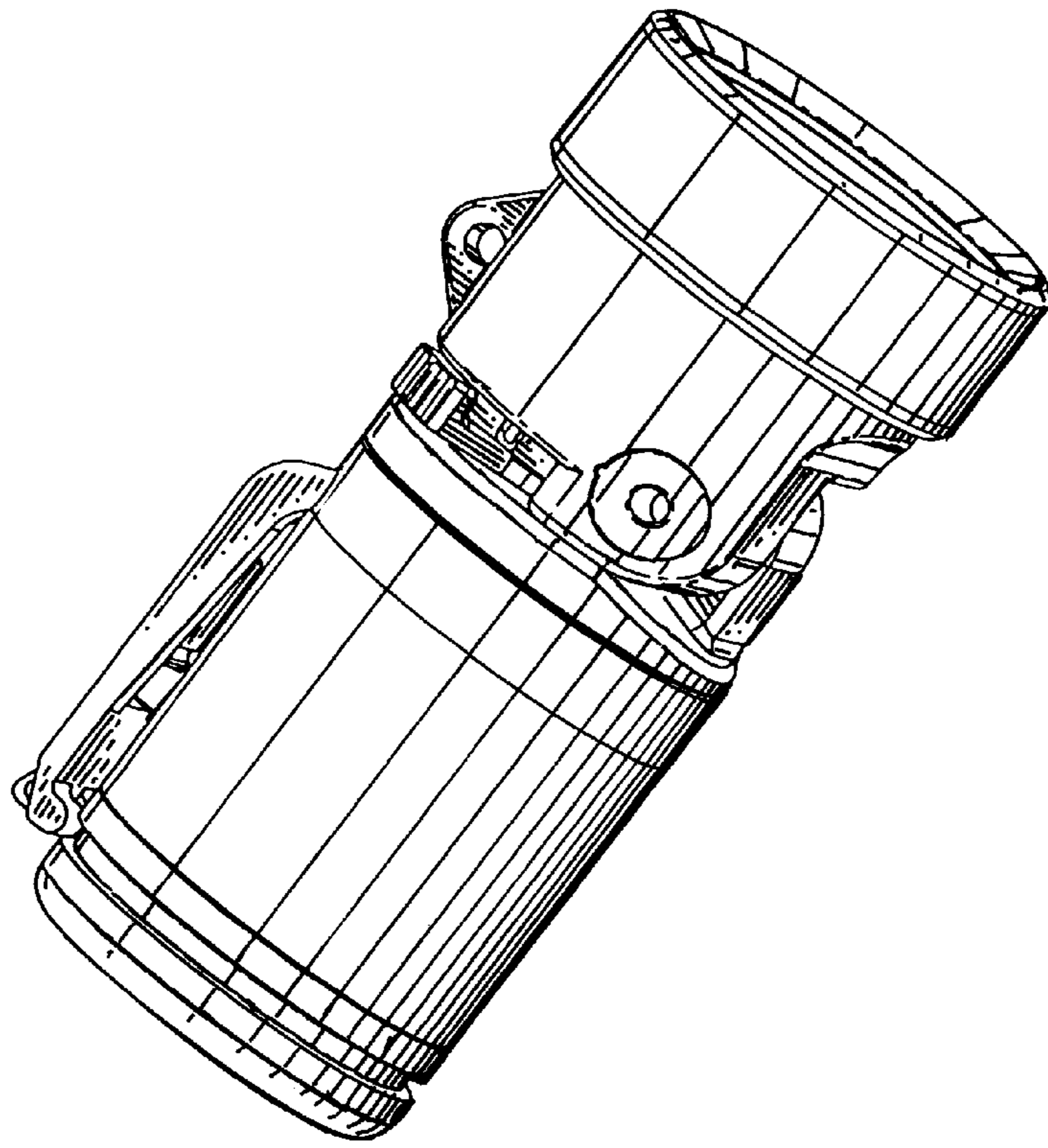


FIG. 1

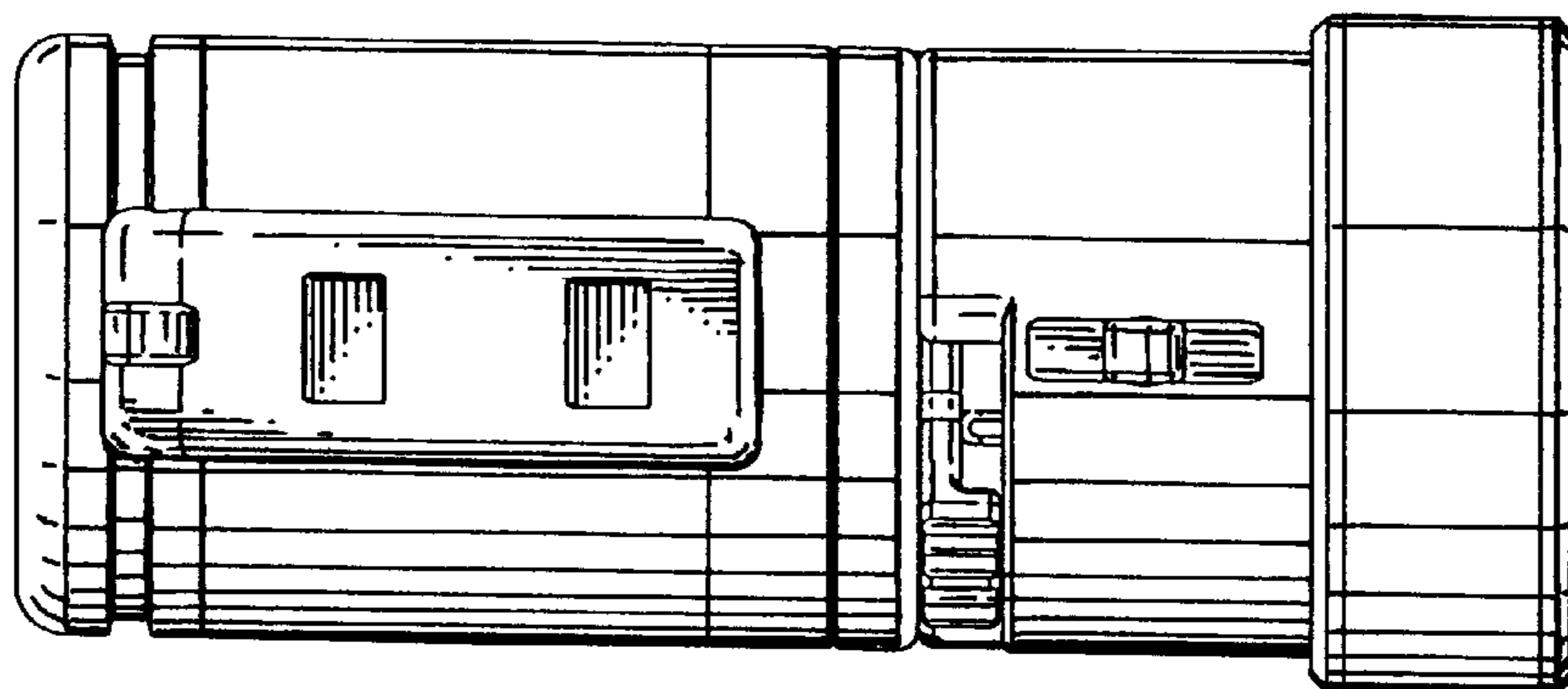


FIG. 2

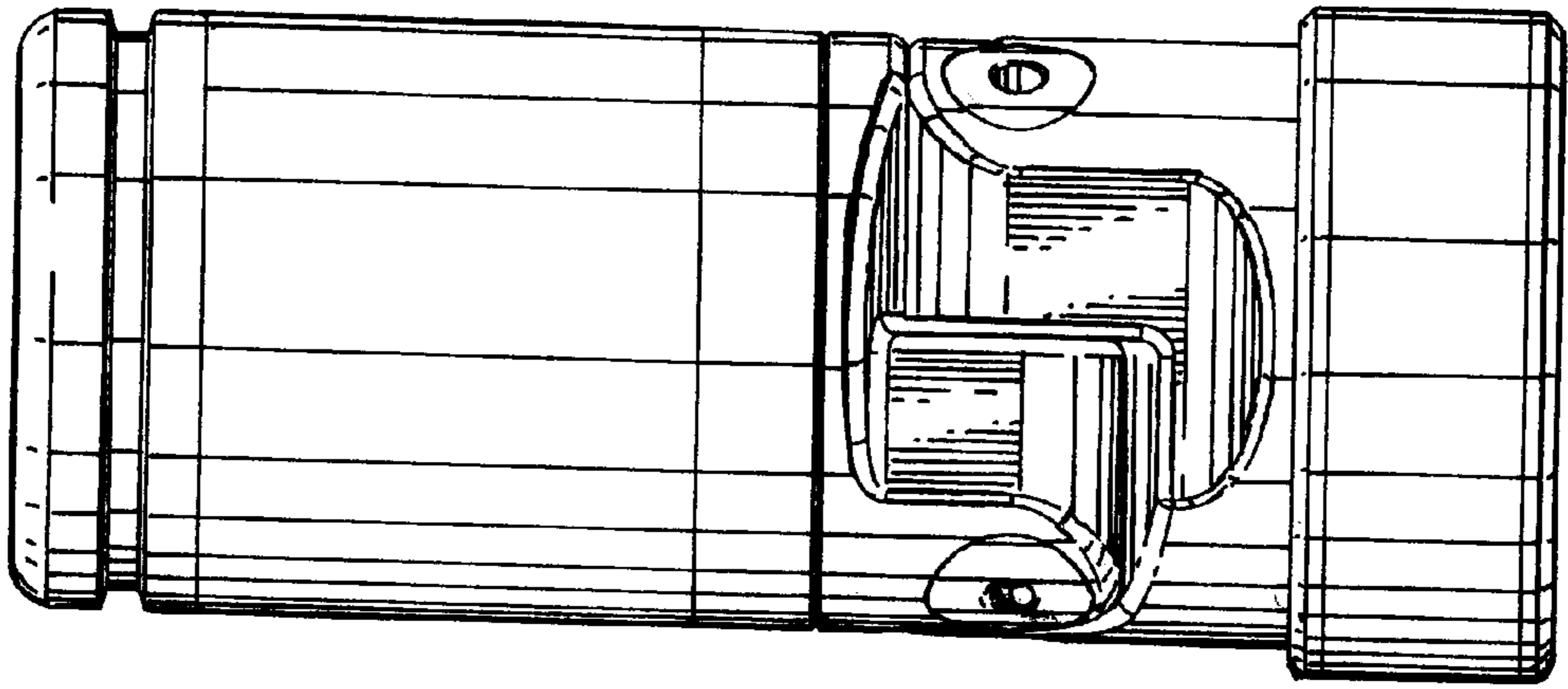


FIG. 3

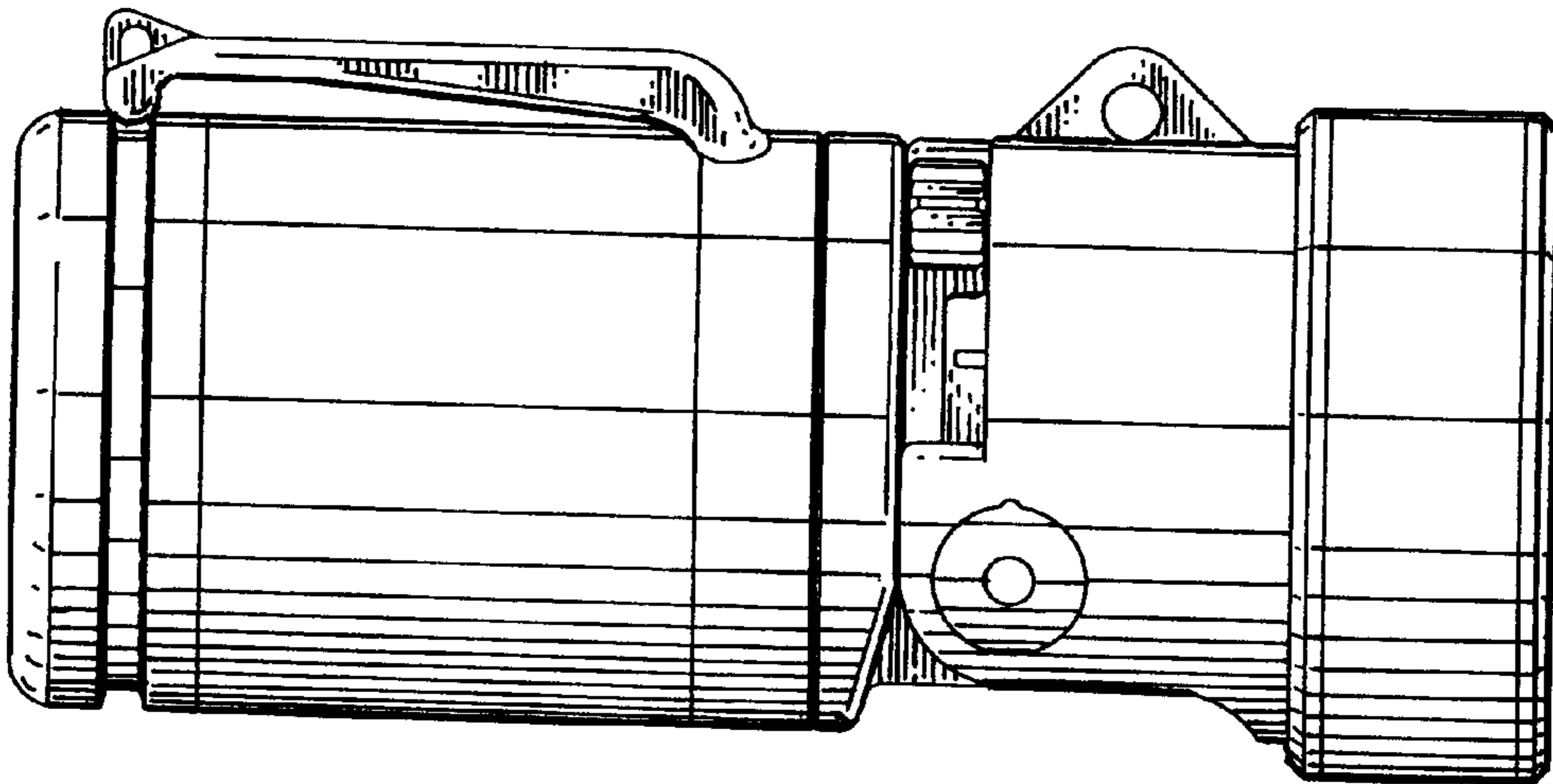


FIG. 4



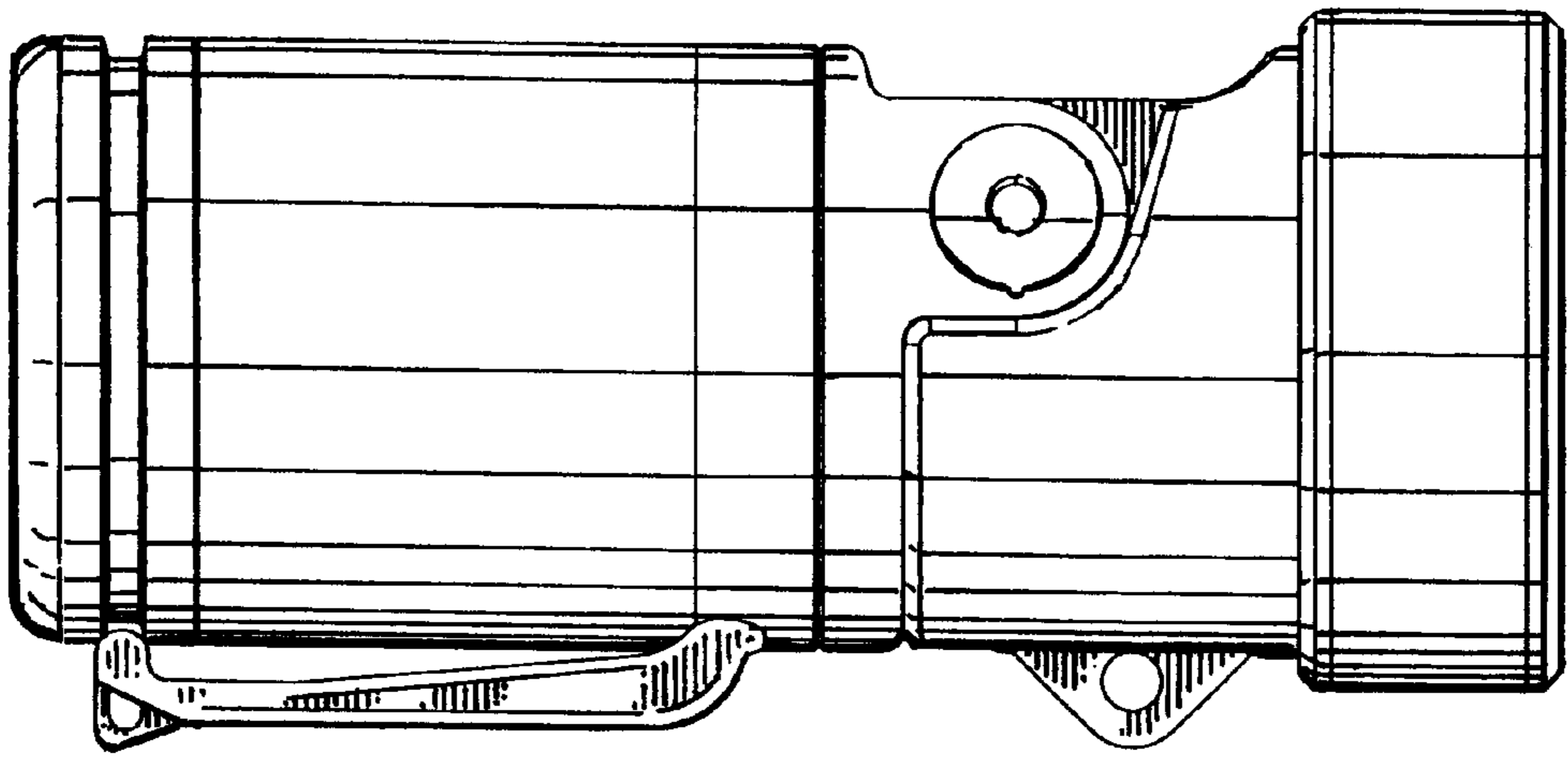


FIG. 5

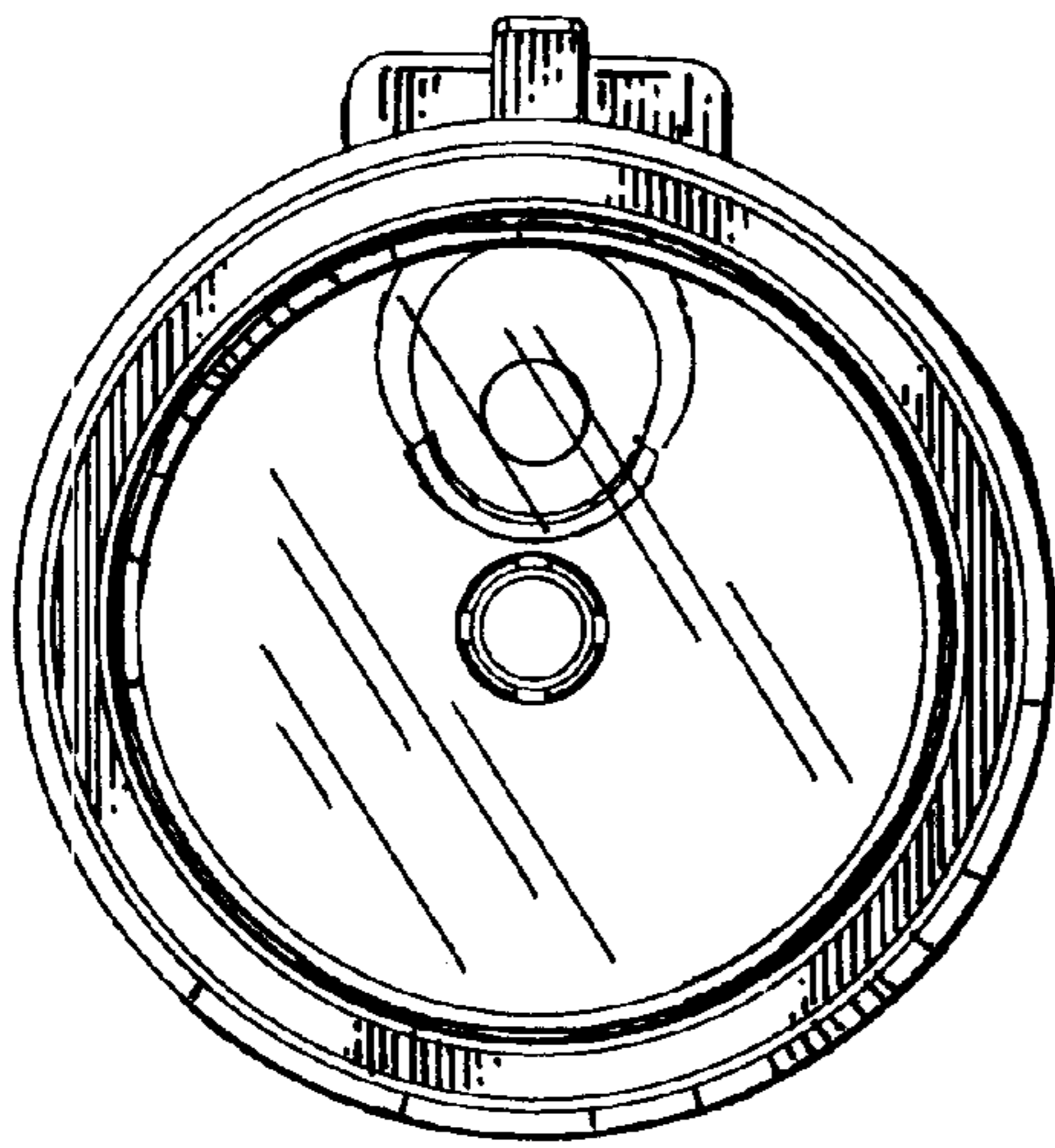


FIG. 6

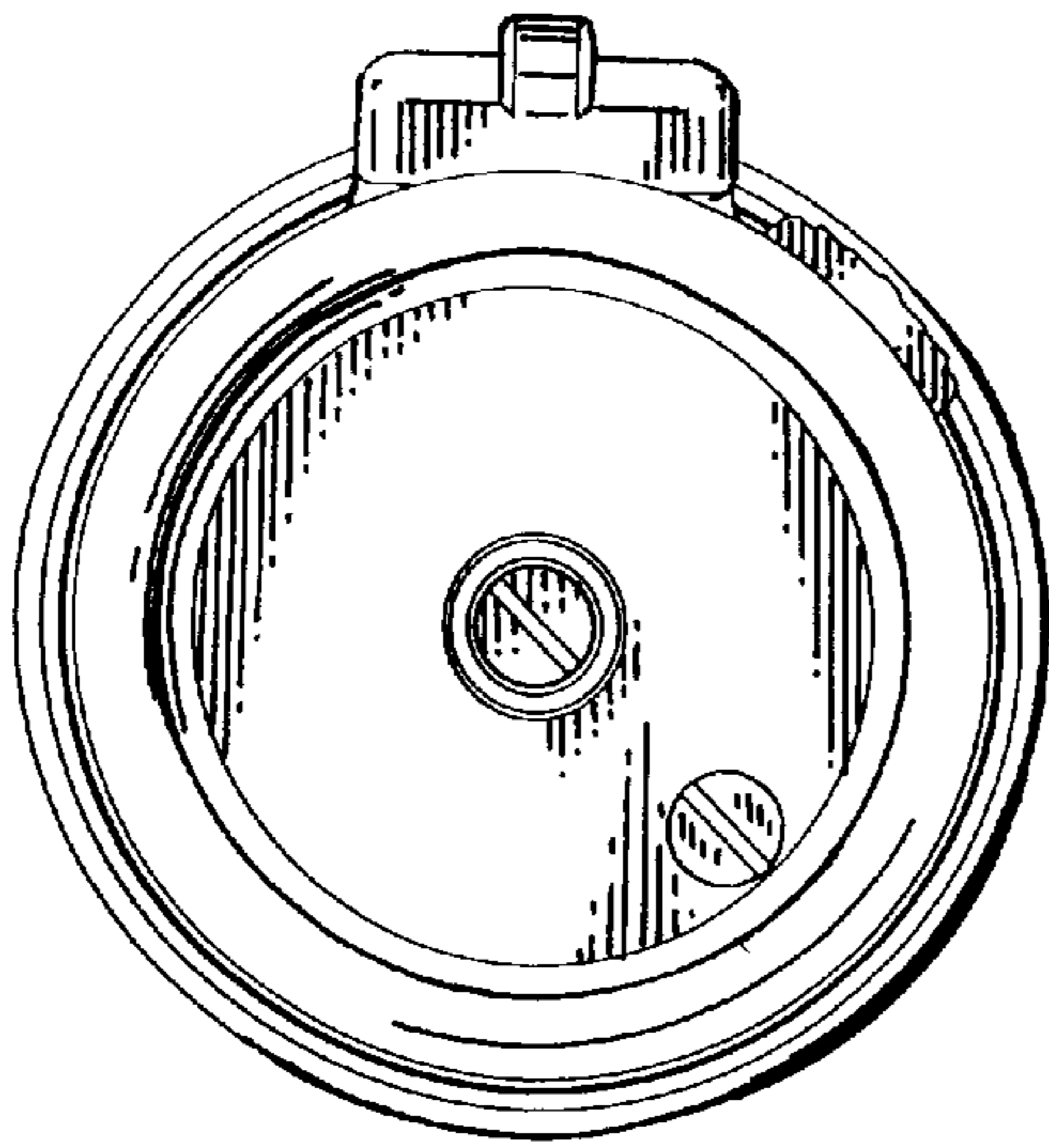


FIG. 7

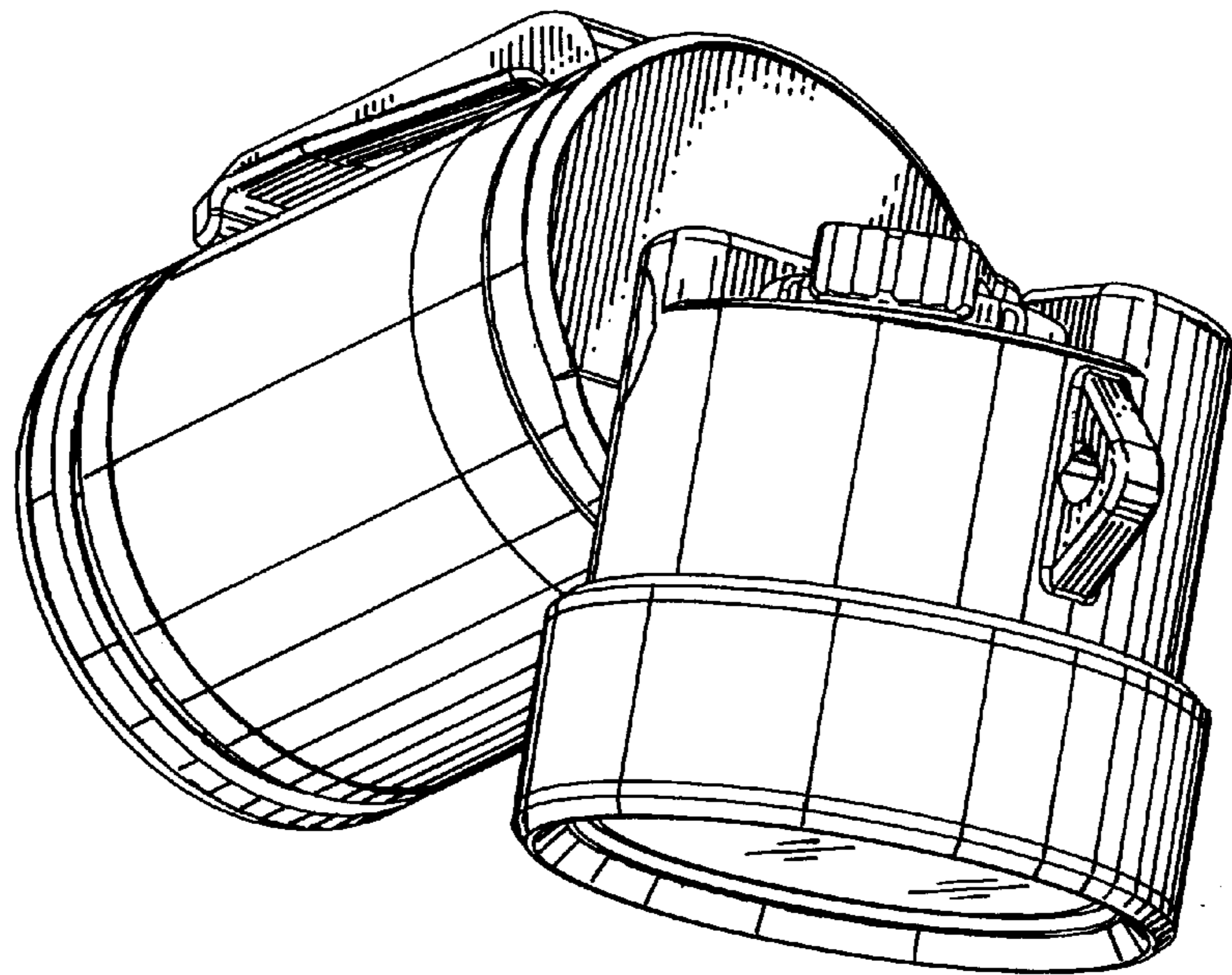


FIG. 8

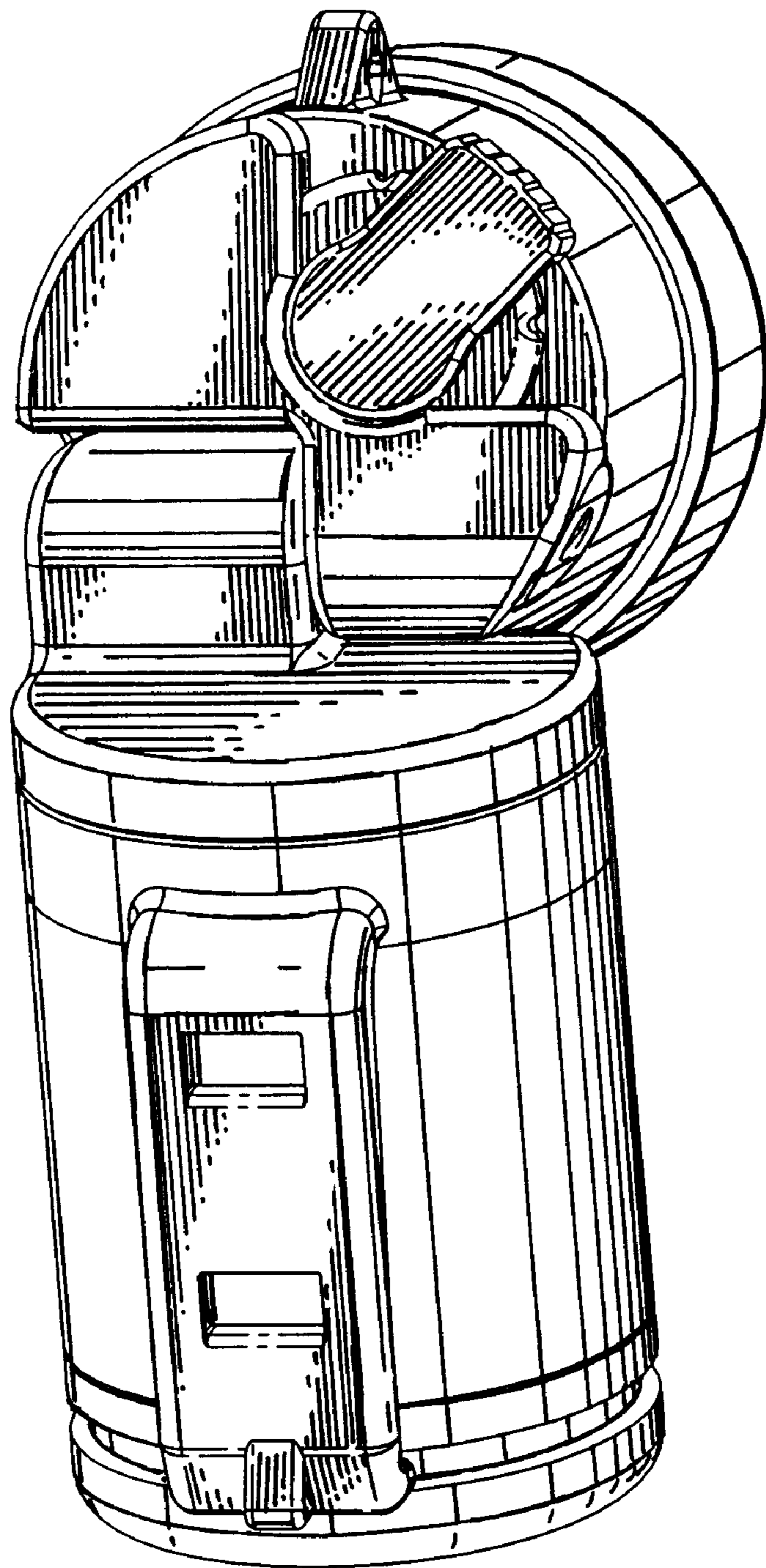


FIG. 9

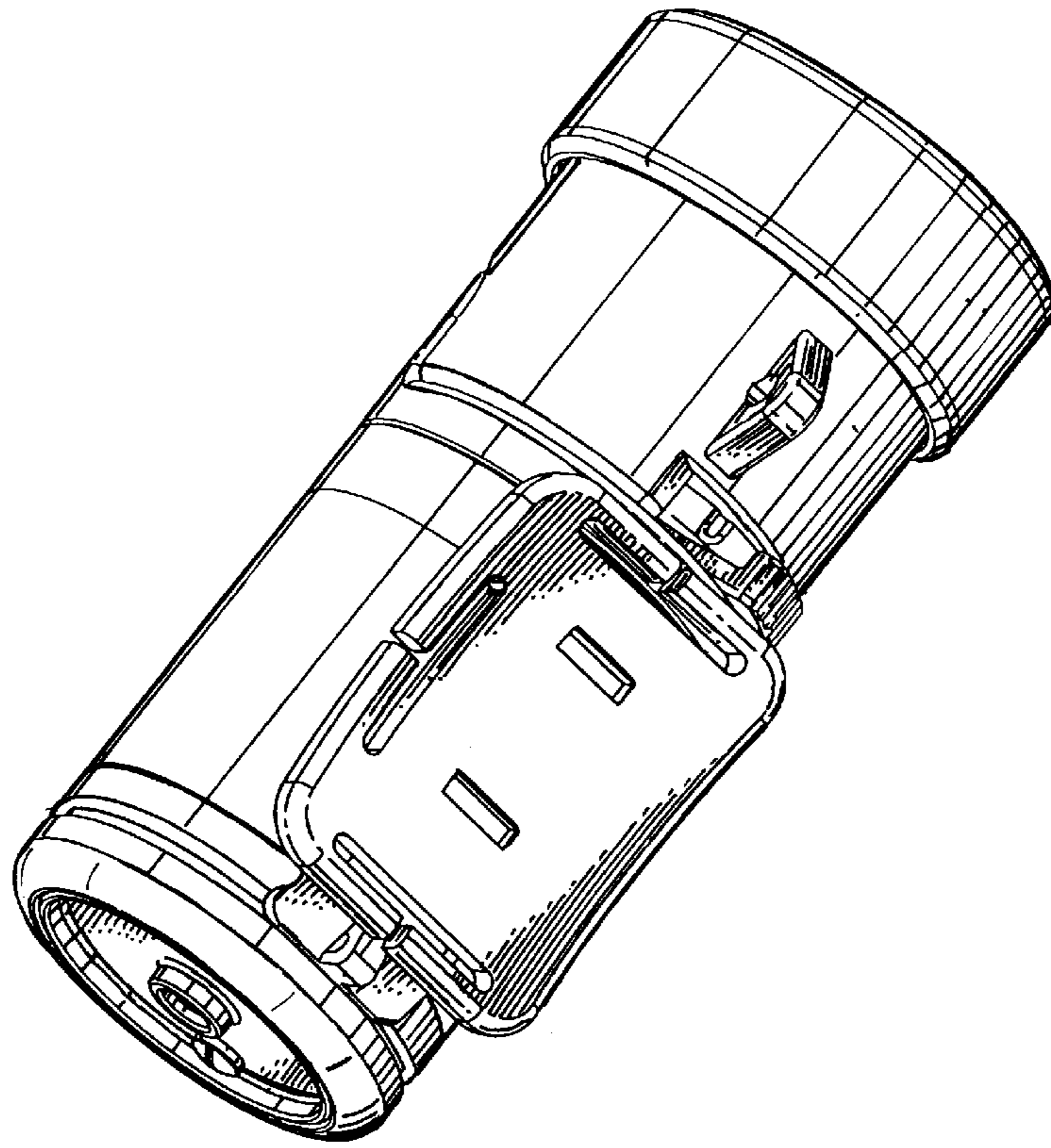


FIG. 10

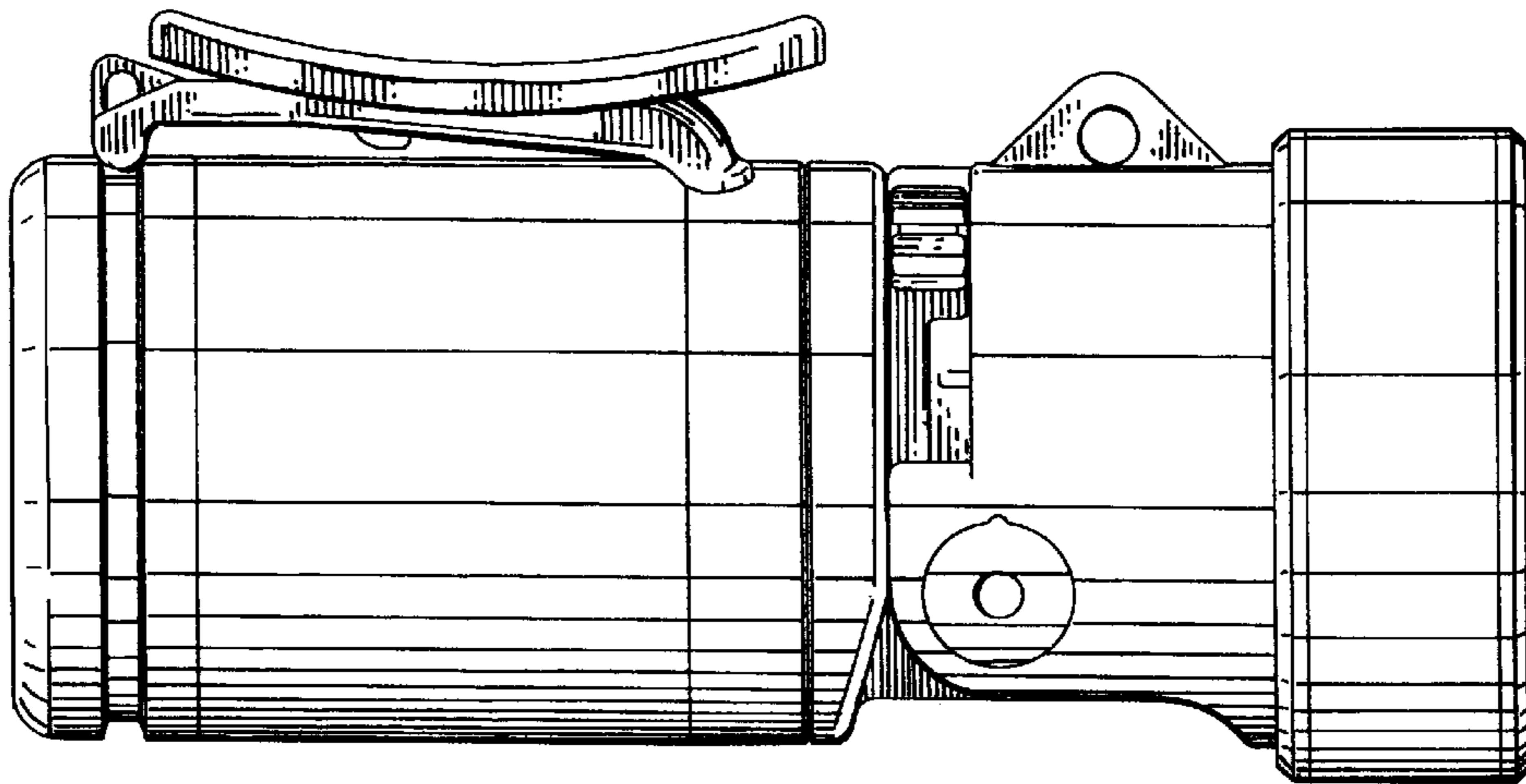


FIG. 11



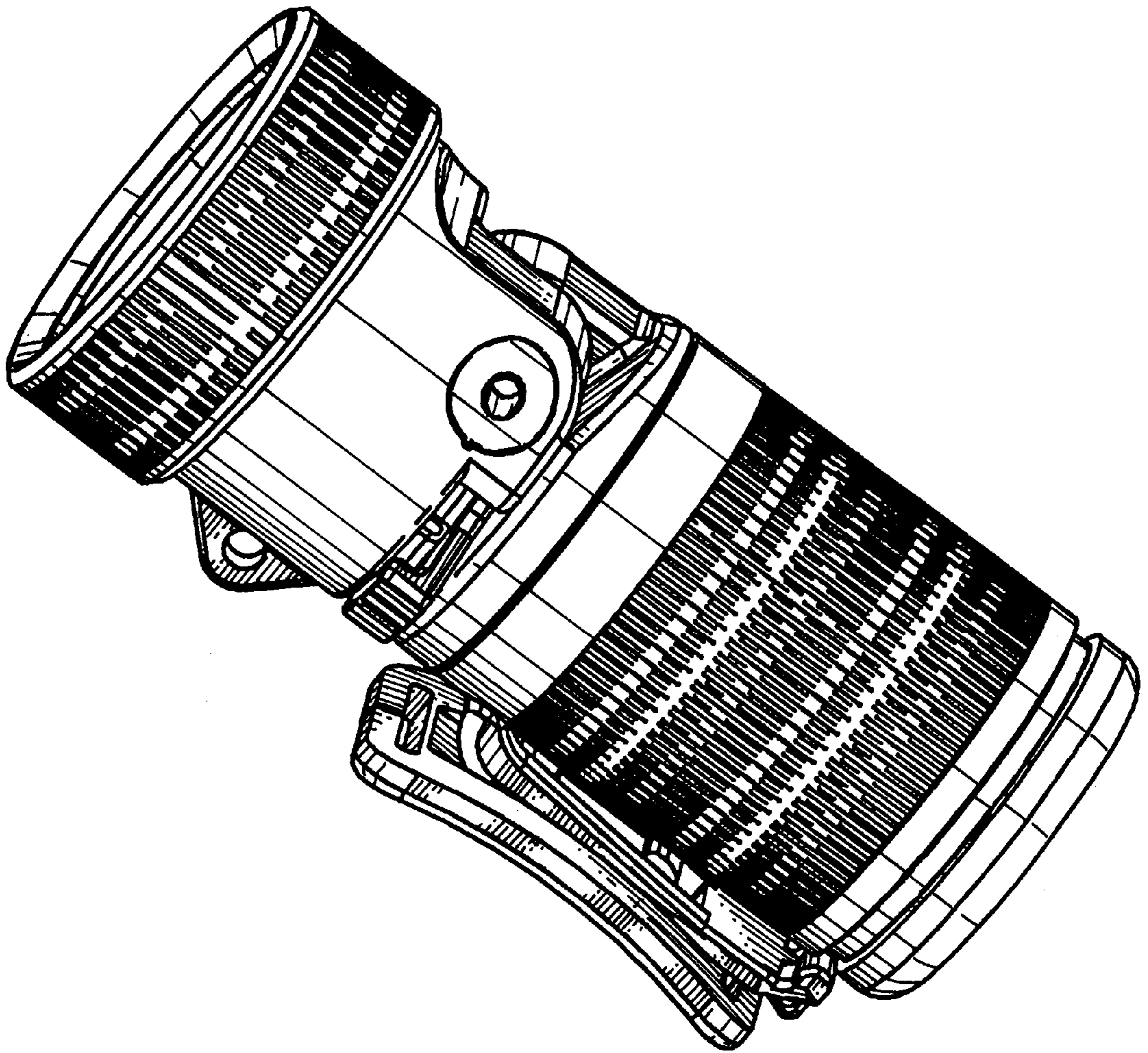


FIG. 12