



US00D409775S

United States Patent [19]
Lin

[11] **Patent Number: Des. 409,775**

[45] **Date of Patent: ** May 11, 1999**

[54] **LIGHT FOR CYCLES**

[76] **Inventor: Tzu-Lung Lin**, P.O. Box 63-99,
Taichung, Taiwan

[**] **Term: 14 Years**

[21] **Appl. No.: 29/093,556**

[22] **Filed: Sep. 14, 1998**

[51] **LOC (6) Cl. 26-02**

[52] **U.S. Cl. D26/28**

[58] **Field of Search** D26/28-35; 362/80,
362/82, 83, 83.3, 157, 158, 183, 189-208

[56] **References Cited**

U.S. PATENT DOCUMENTS

- D. 324,577 3/1992 Tsuyama D26/28
- D. 395,717 6/1998 Dalton et al. D26/28

Primary Examiner—Marcus A. Jackson

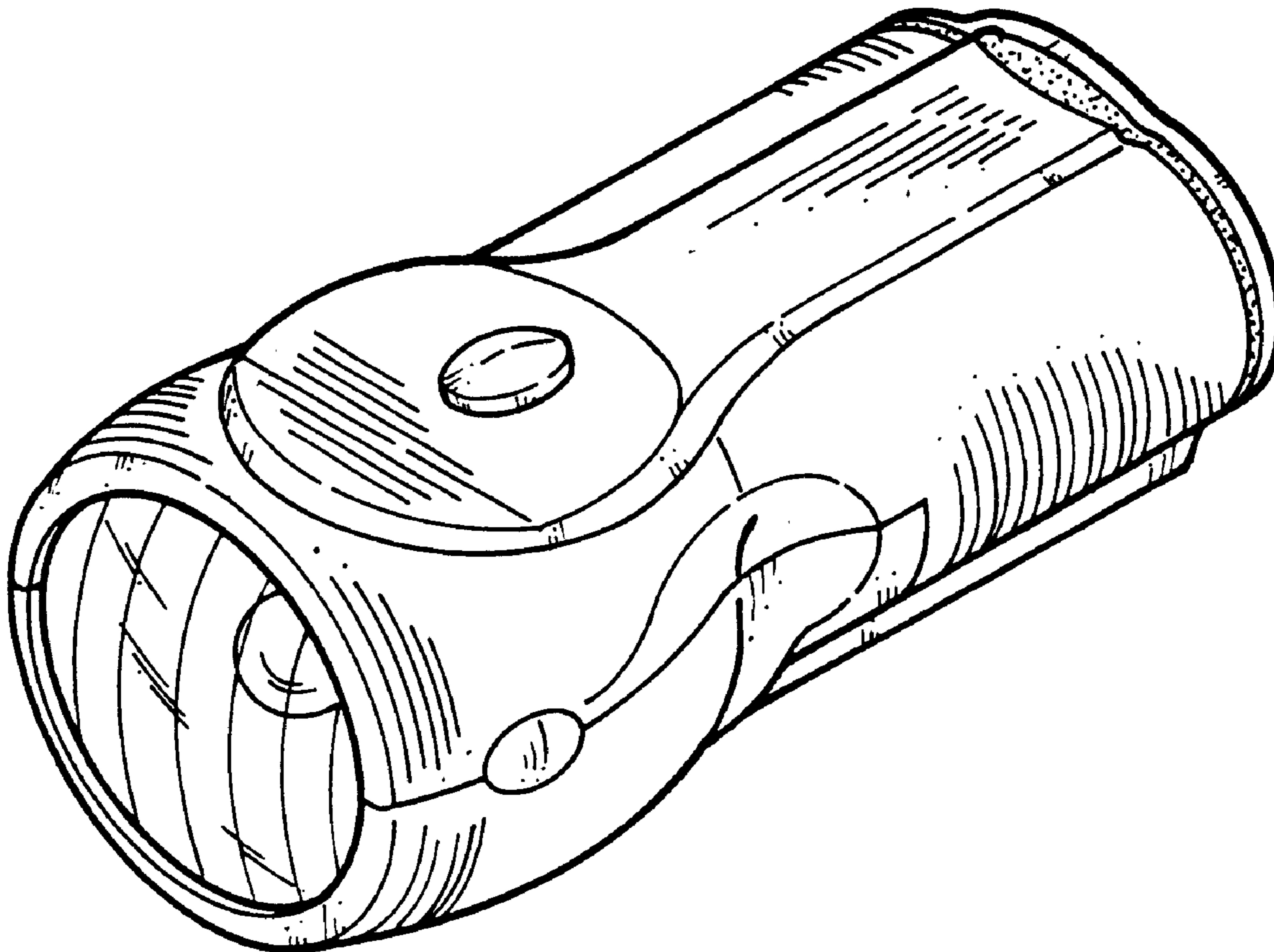
[57] **CLAIM**

The ornamental design for a light for cycles, as shown and described.

DESCRIPTION

FIG. 1 is a perspective view of a light showing my new design;
 FIG. 2 is a front elevational view thereof;
 FIG. 3 is a rear elevational view thereof;
 FIG. 4 is a top plan view thereof;
 FIG. 5 is a bottom plan view thereof;
 FIG. 6 is a left side elevational view thereof;
 FIG. 7 is a right side elevational view thereof; and,
 FIG. 8 is a perspective view thereof, the rearward moving of the rear cap depicted by means of broken lines being for illustrative purposes only and forming no part of the claimed design.

1 Claim, 3 Drawing Sheets



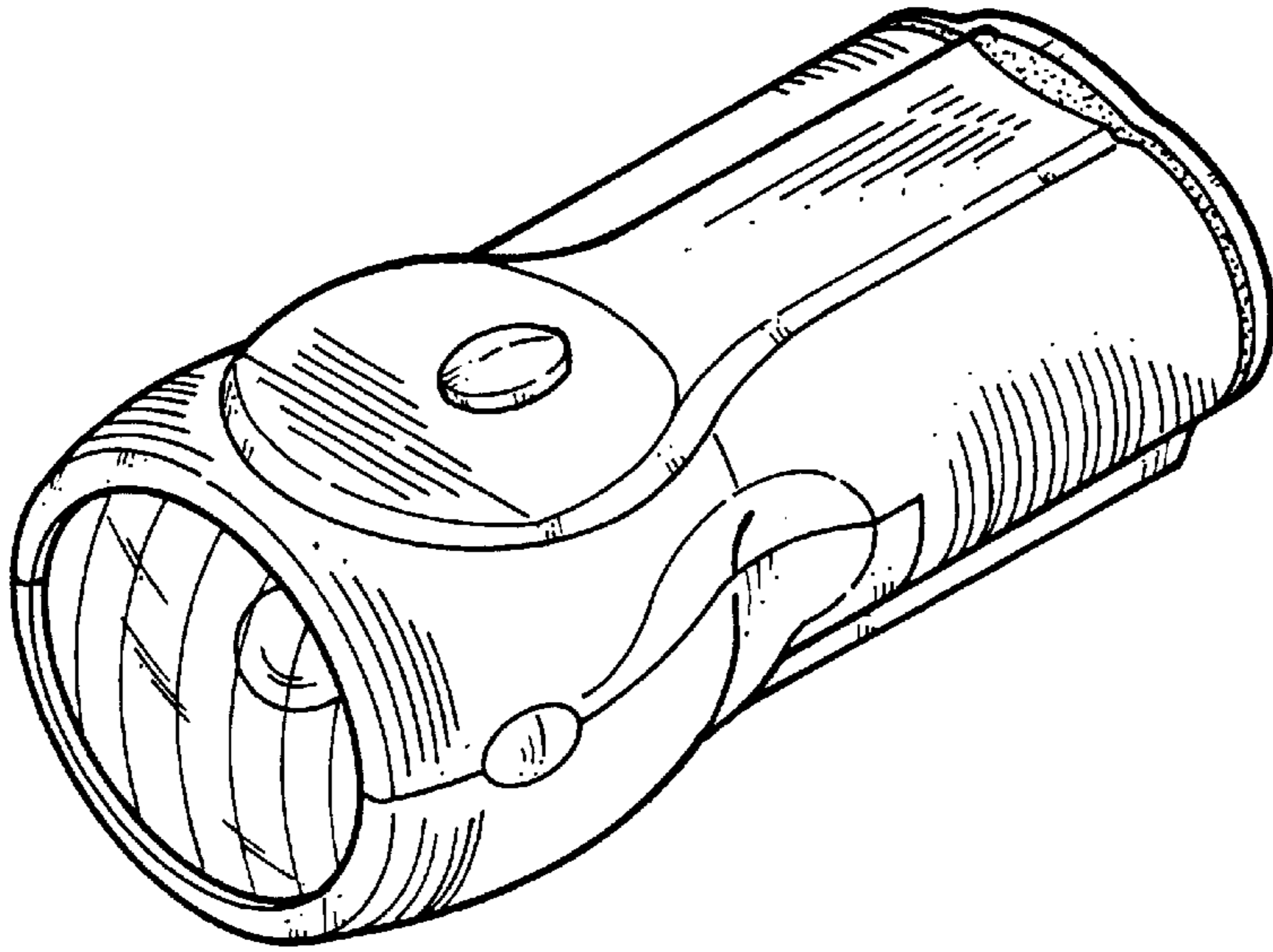


FIG. 1

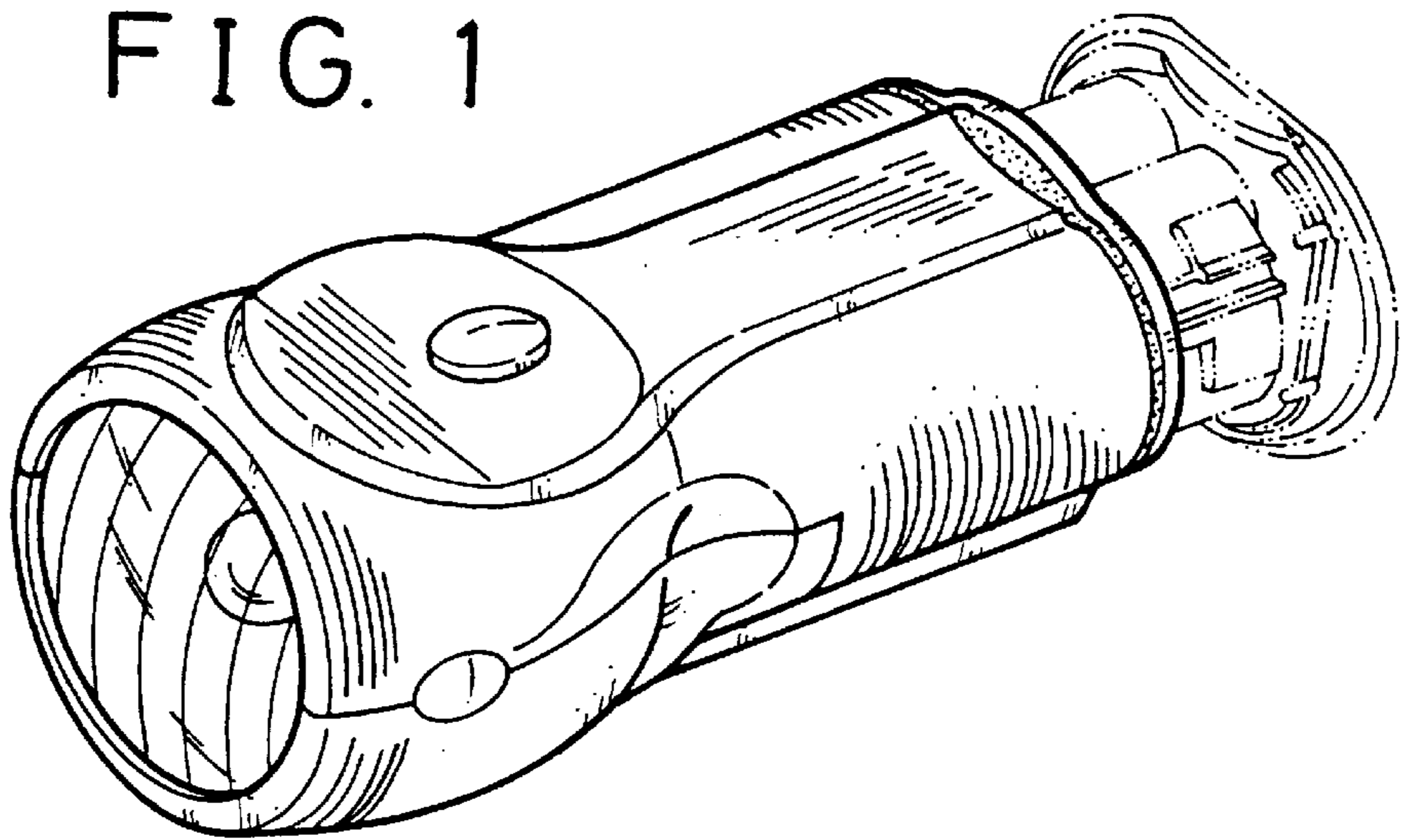


FIG. 8

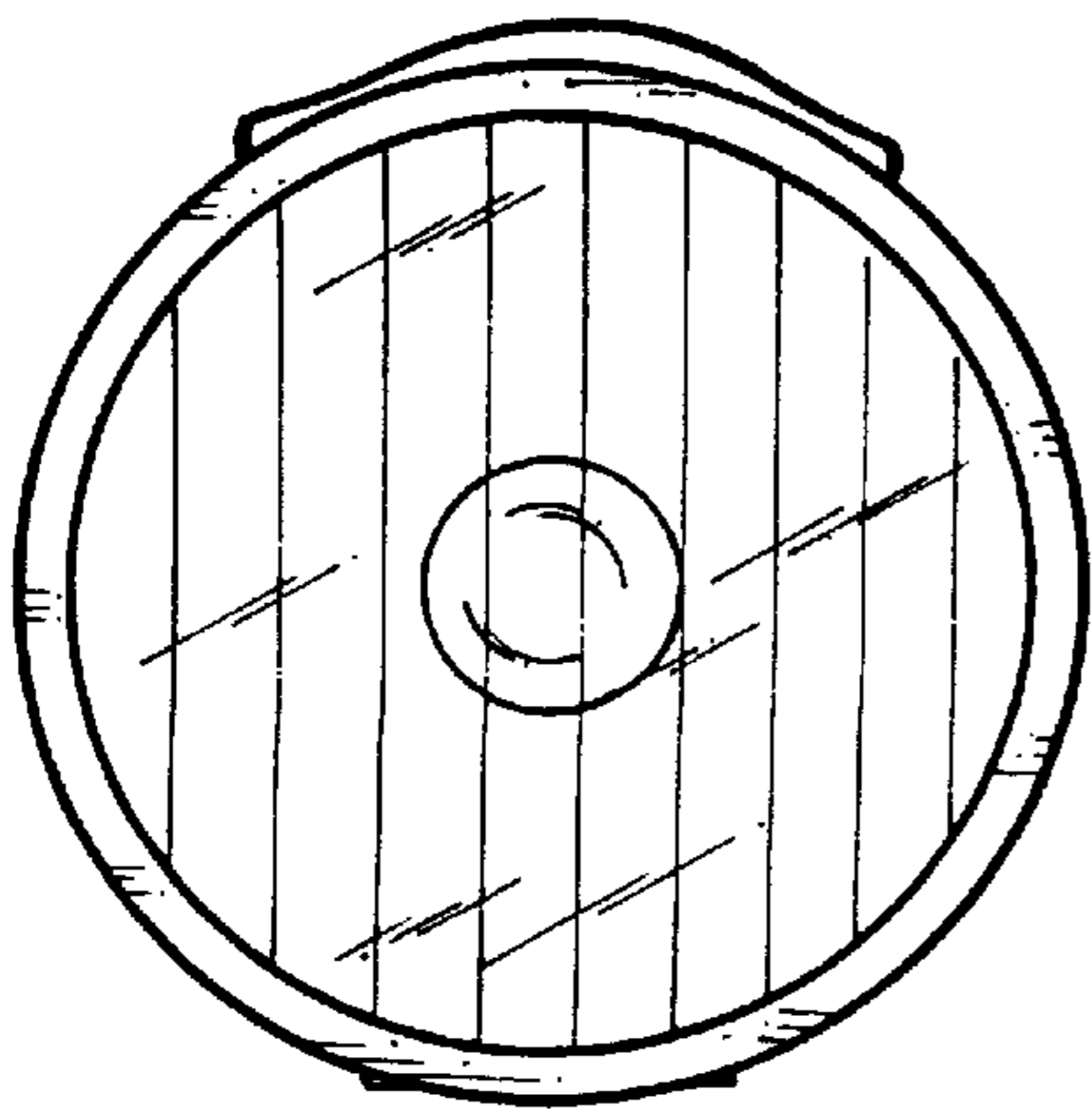


FIG. 2

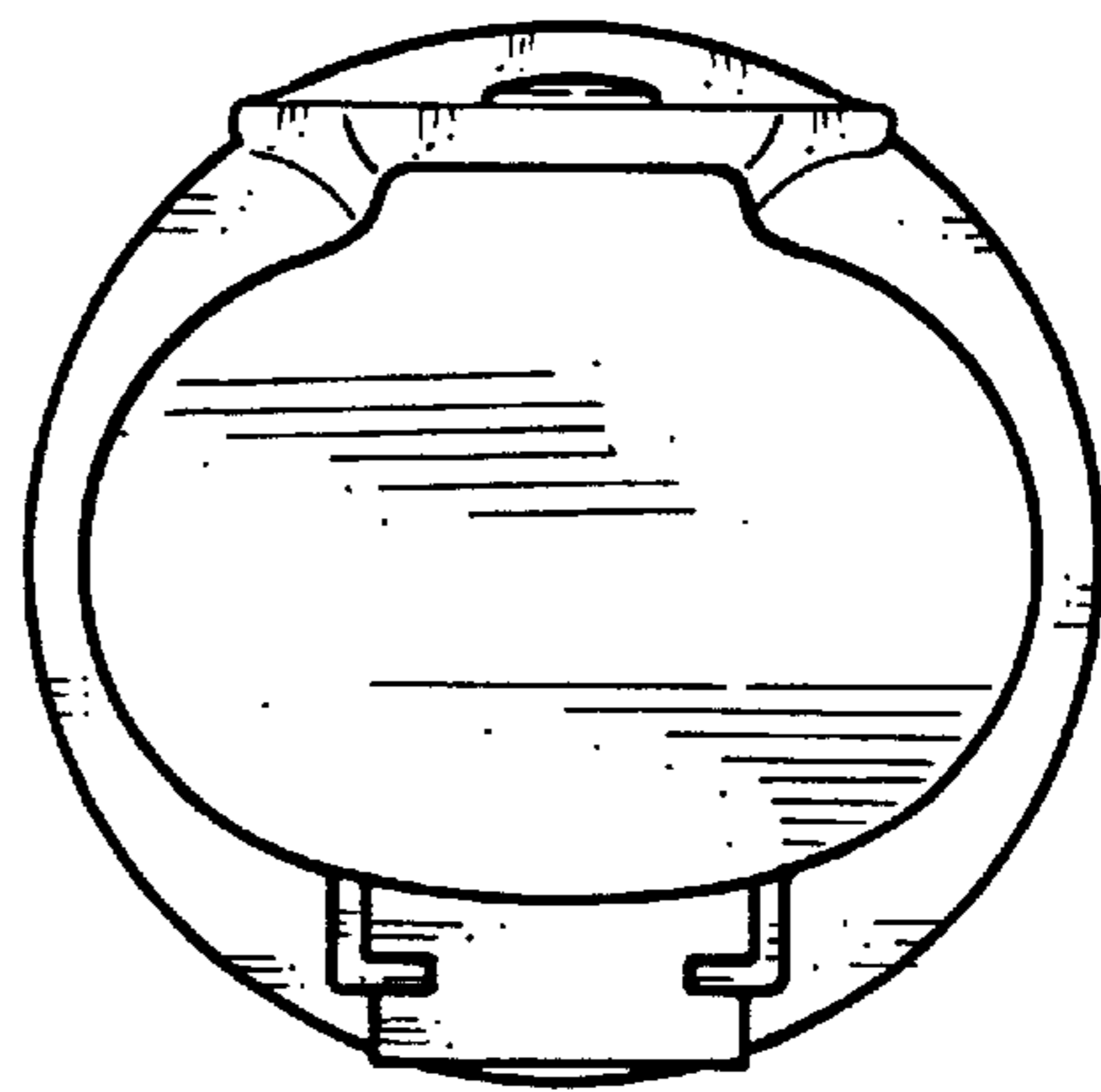


FIG. 3

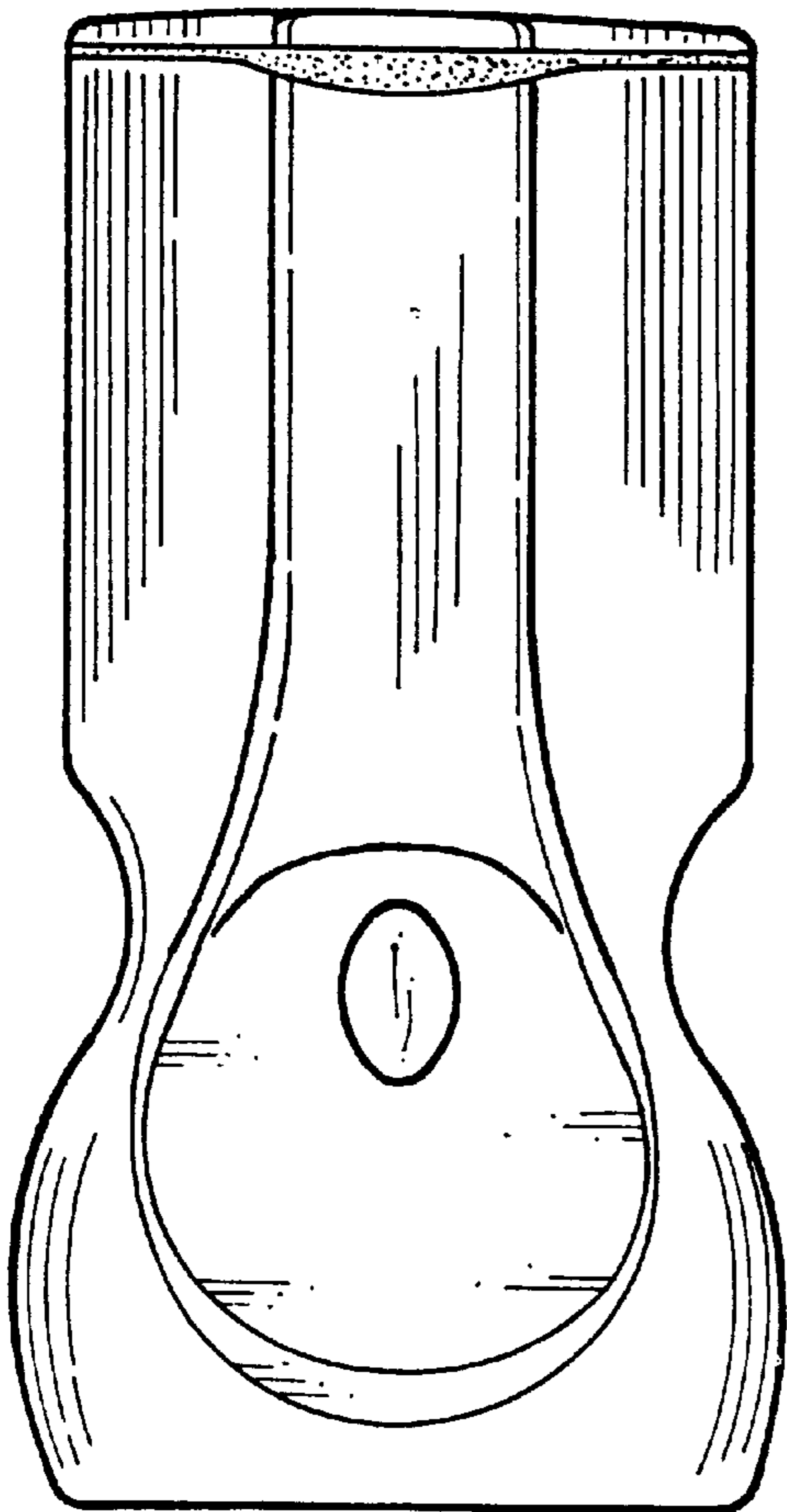


FIG. 4

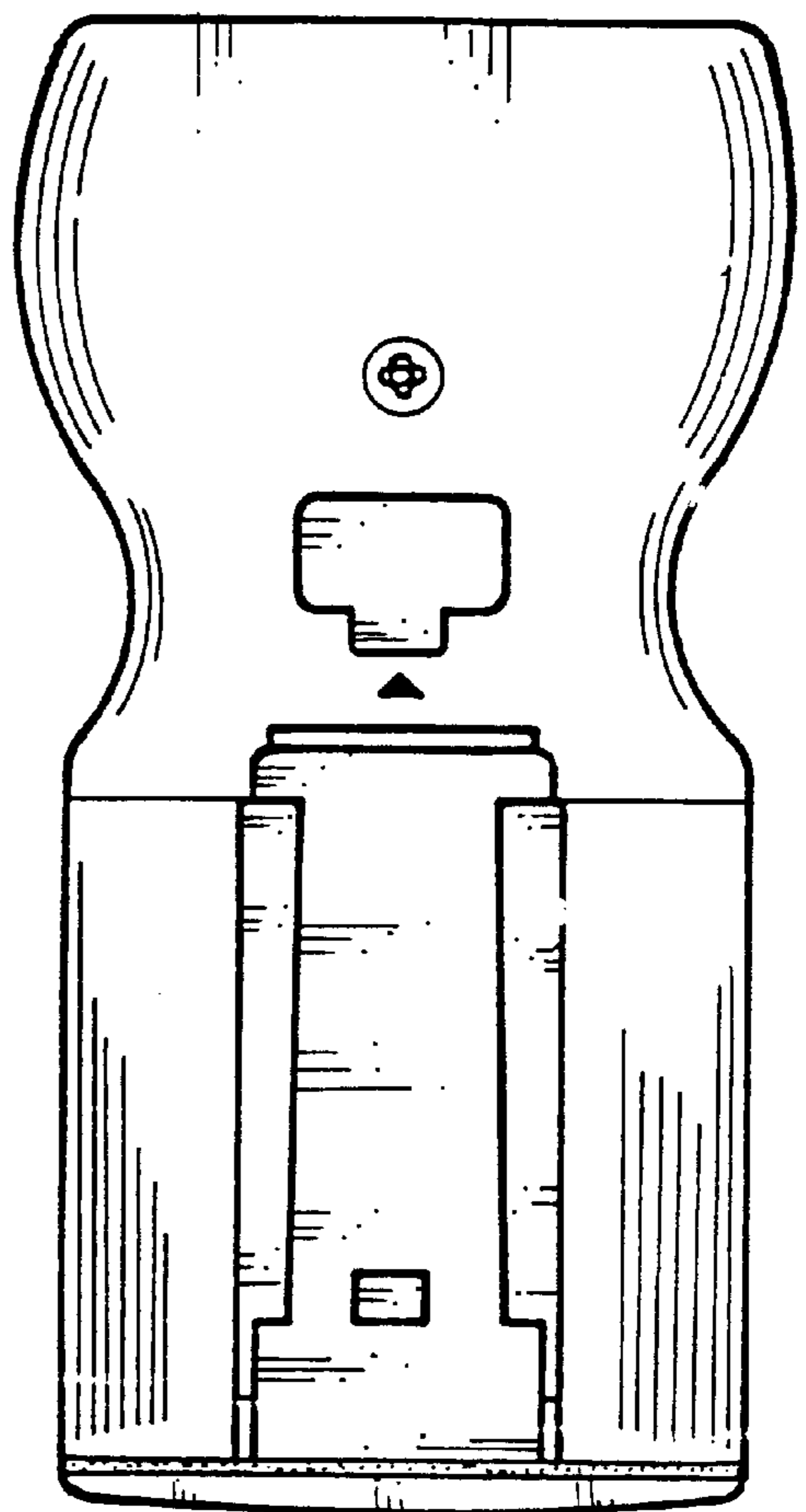


FIG. 5

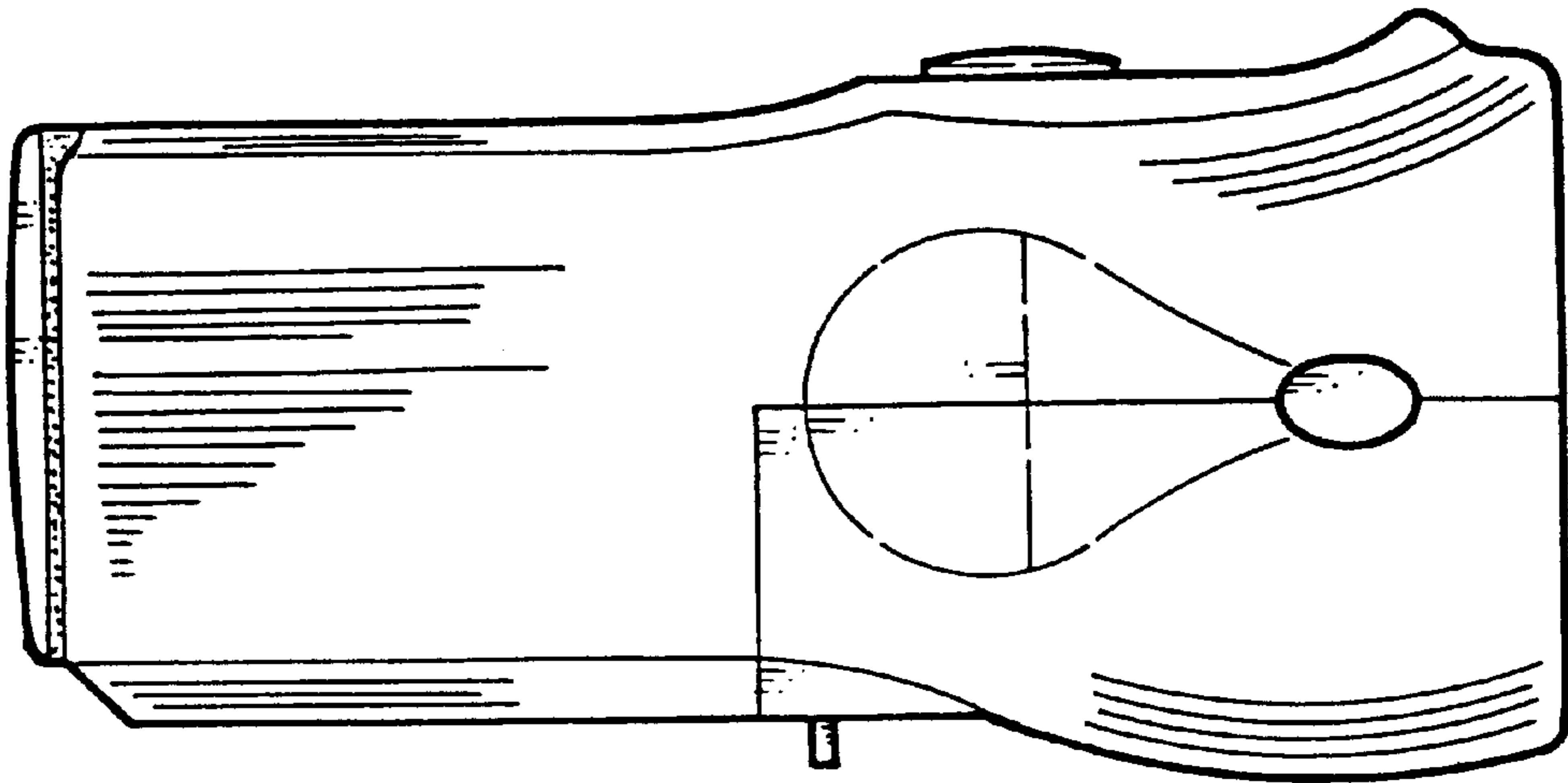


FIG. 6

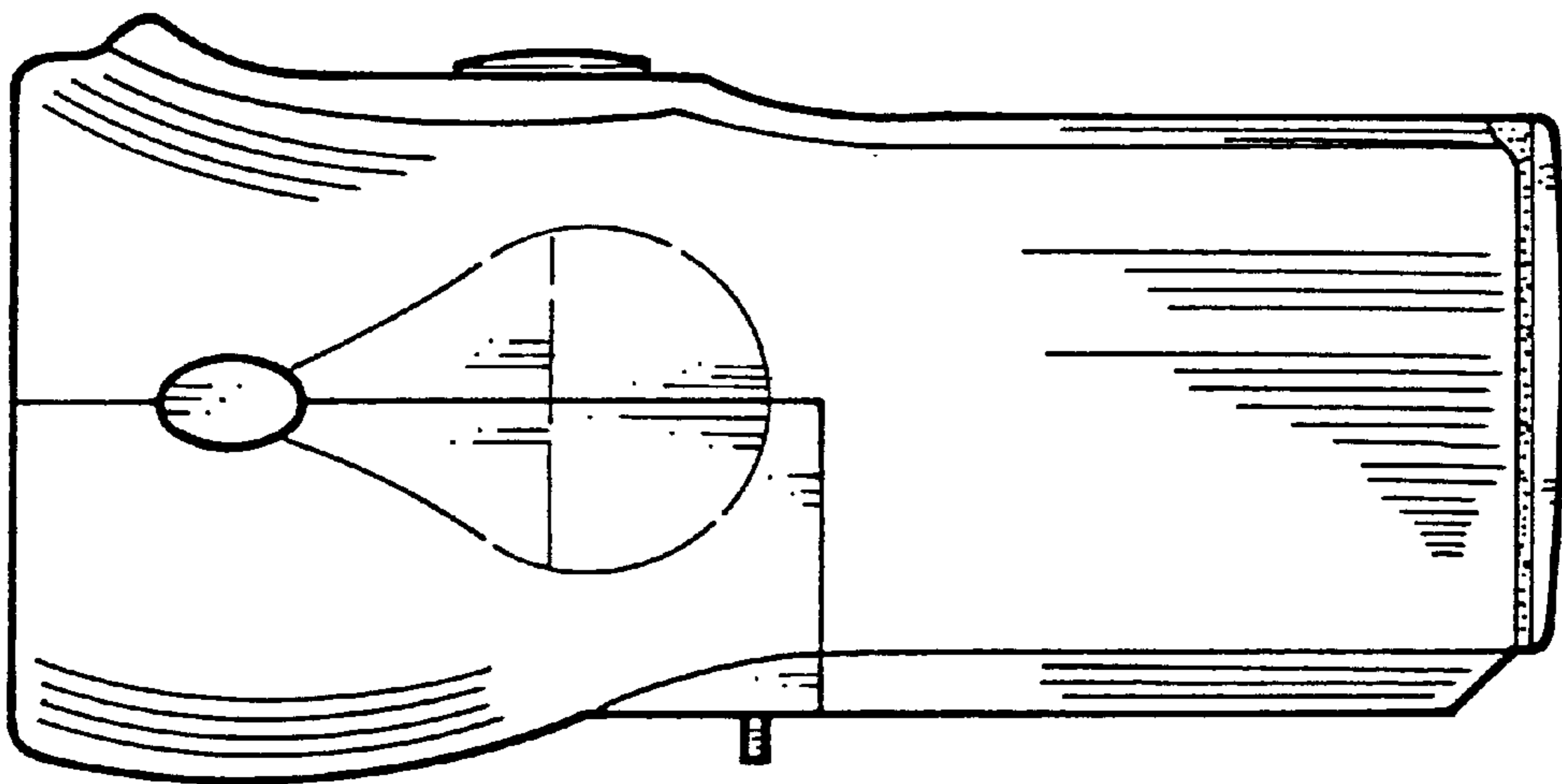


FIG. 7