

US00D409774S

United States Patent [19]

Hanlon et al.

[11] Patent Number: Des. 409,774

[45] Date of Patent: ** May 11, 1999

[54] MOTORCYCLE TAIL LIGHT

[75] Inventors: Daniel L. Hanlon, Burnsville; David P. Hanlon; Jennie L. Hanlon, both of Apple Valley; Anthony N. Pink, Prior Lake, all of Minn.

[73] Assignee: Excelsior-Henderson Motorcycle Manufacture Company, Belle Plaine, Minn.

[**] Term: 14 Years

[21] Appl. No.: 29/091,340

[22] Filed: Jul. 28, 1998

[51] LOC (6) Cl. 26-02

[52] U.S. Cl. D26/28

[58] Field of Search D26/28-35; 362/61, 362/72, 235, 236, 239, 297, 269, 301, 306, 307, 310, 311, 325, 362, 375

[56] References Cited

U.S. PATENT DOCUMENTS

| | | | | |
|------------|---------|-----------------|-------|--------|
| D. 266,276 | 9/1982 | Preisler | | D26/28 |
| D. 276,468 | 11/1984 | Preisler et al. | | D26/28 |
| D. 281,356 | 11/1985 | Ofield | | D26/28 |
| D. 324,577 | 3/1992 | Tsuyama | | D26/28 |
| D. 353,682 | 12/1994 | Ueda | | D26/28 |
| D. 372,317 | 7/1996 | Kijima | | D26/28 |
| D. 388,200 | 12/1997 | Tomforde et al. | | D26/28 |
| D. 389,255 | 1/1998 | Nagano | | D26/28 |
| D. 399,983 | 10/1998 | Cadotte et al. | | D26/28 |

OTHER PUBLICATIONS

Brochure showing the 1997 Honda Valkyrie and Valkyrie Tourer motorcycles cover page and pp. 12-13 (1997).
Brochure showing the 1997 Harley-Davidson FLSTS Heritage Springer motorcycle, 2 pages (1997).

Brochure showing the 1997 BMW R 1200 C motorcycle, 2 pages (1997).

Brochure showing the 1998 Polaris Victory V92C motorcycle, 2 pages (1997).

Brochure showing the 1998 Honda Shadow Aero, Shadow A.C.E. and the Shadow A.C.E. Tourer motorcycles, 2 pages.

Kawasaki Heavy Industries Brochure showing the Kawasaki motorcycle, 2 pages.

Brochure showing the Suzuki Intruder LC motorcycles, 2 pages.

Brochure showing the 1997 Yamaha Royal Star motorcycle, 3 pages (1997).

Brochure showing Triumph motorcycle accessories, 1 page.

Primary Examiner—Marcus A. Jackson
Attorney, Agent, or Firm—Schwegman, Lundberg, Woessner & Kluth, P.A.

[57] CLAIM

The ornamental design for a motorcycle tail light, as shown and described.

DESCRIPTION

FIG. 1 is a top rear perspective view of a motorcycle tail light incorporating a design according to the invention.

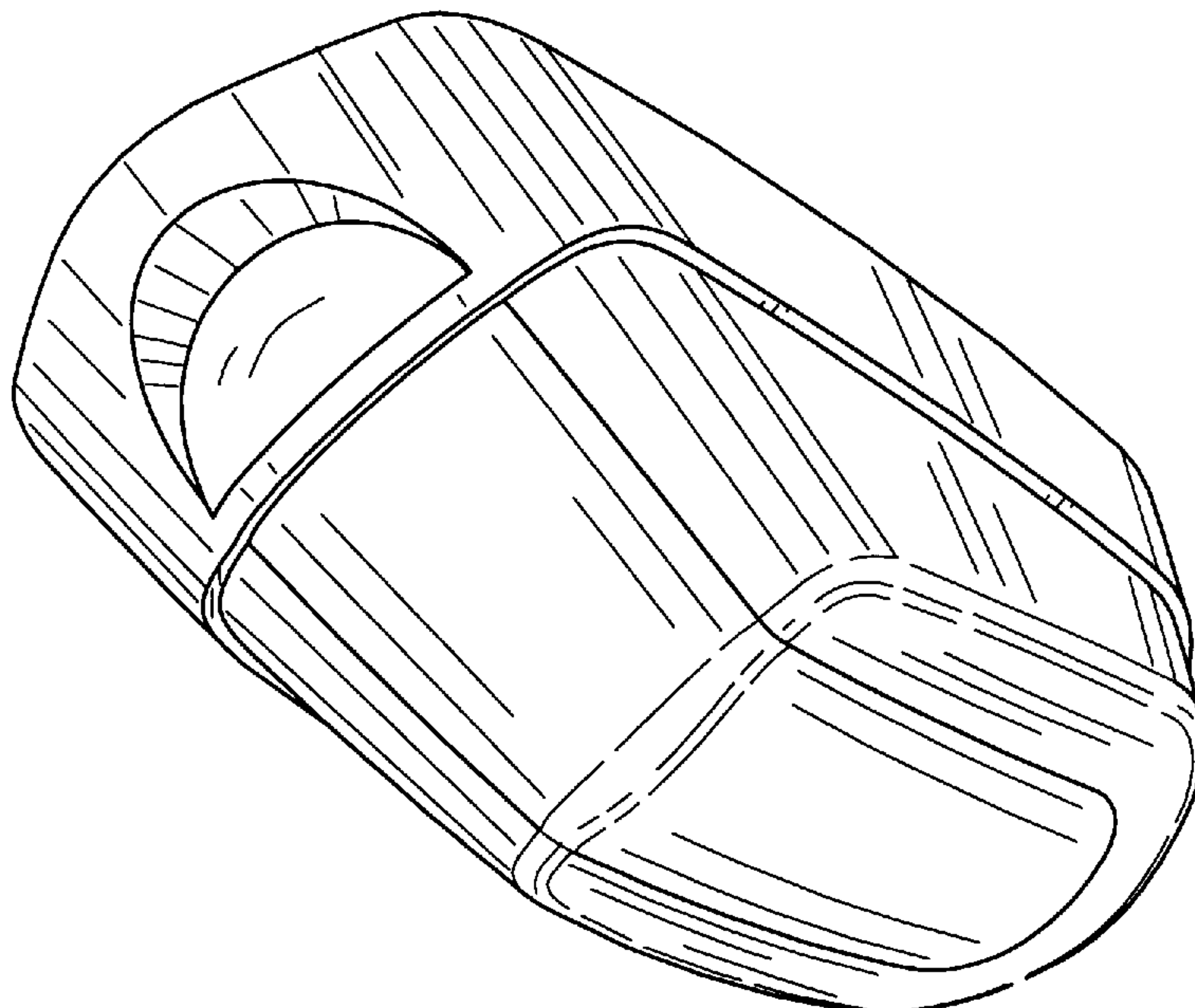
FIG. 2 is a top view of the motorcycle tail light of FIG. 1.

FIG. 3 is a left side view of the motorcycle tail light of FIG. 1, with the opposite side being a mirror image.

FIG. 4 is a rear view of the motorcycle tail light of FIG. 1; and,

FIG. 5 is a bottom rear perspective view of the motorcycle tail light of FIG. 1.

1 Claim, 2 Drawing Sheets



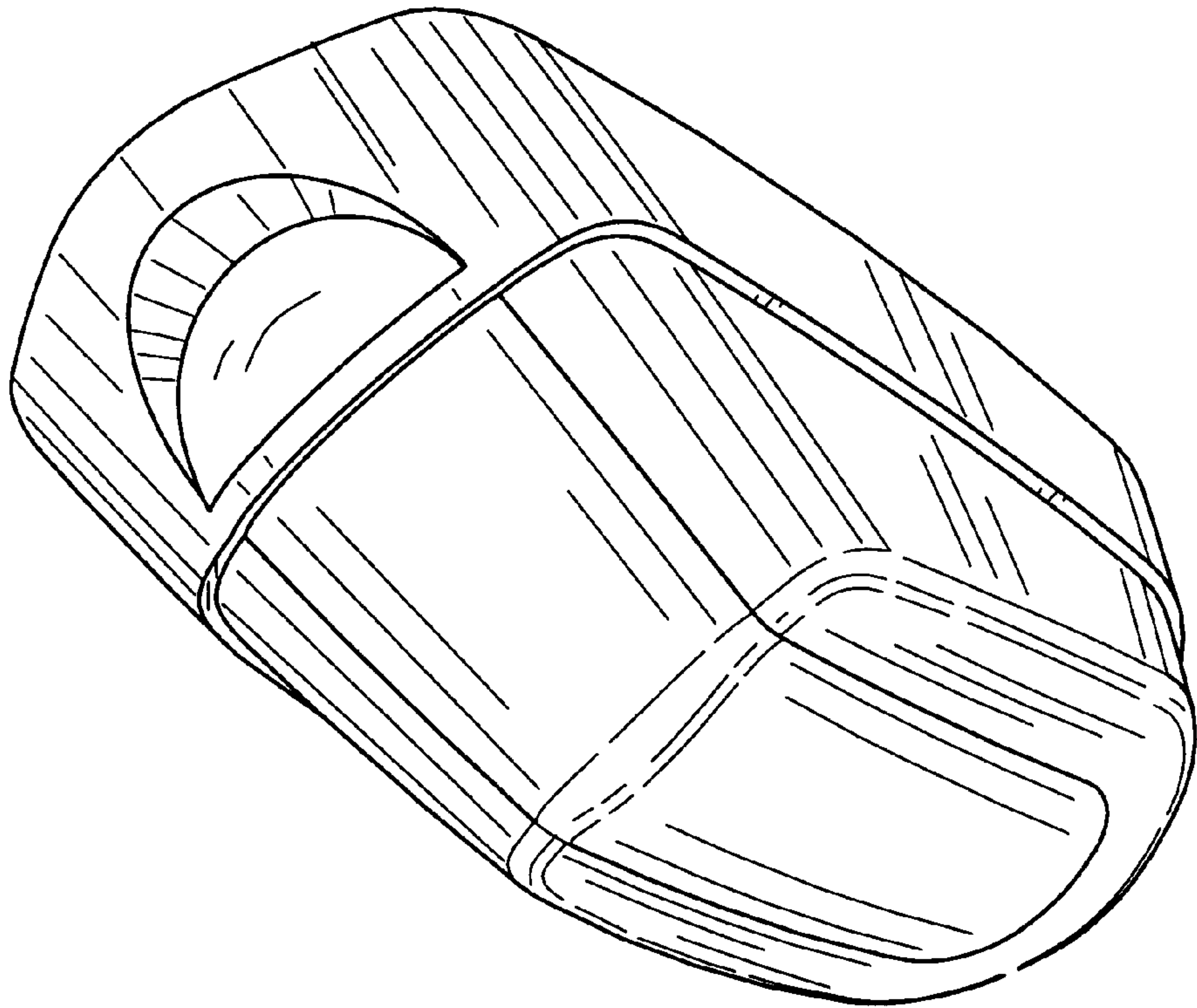


FIG. 1

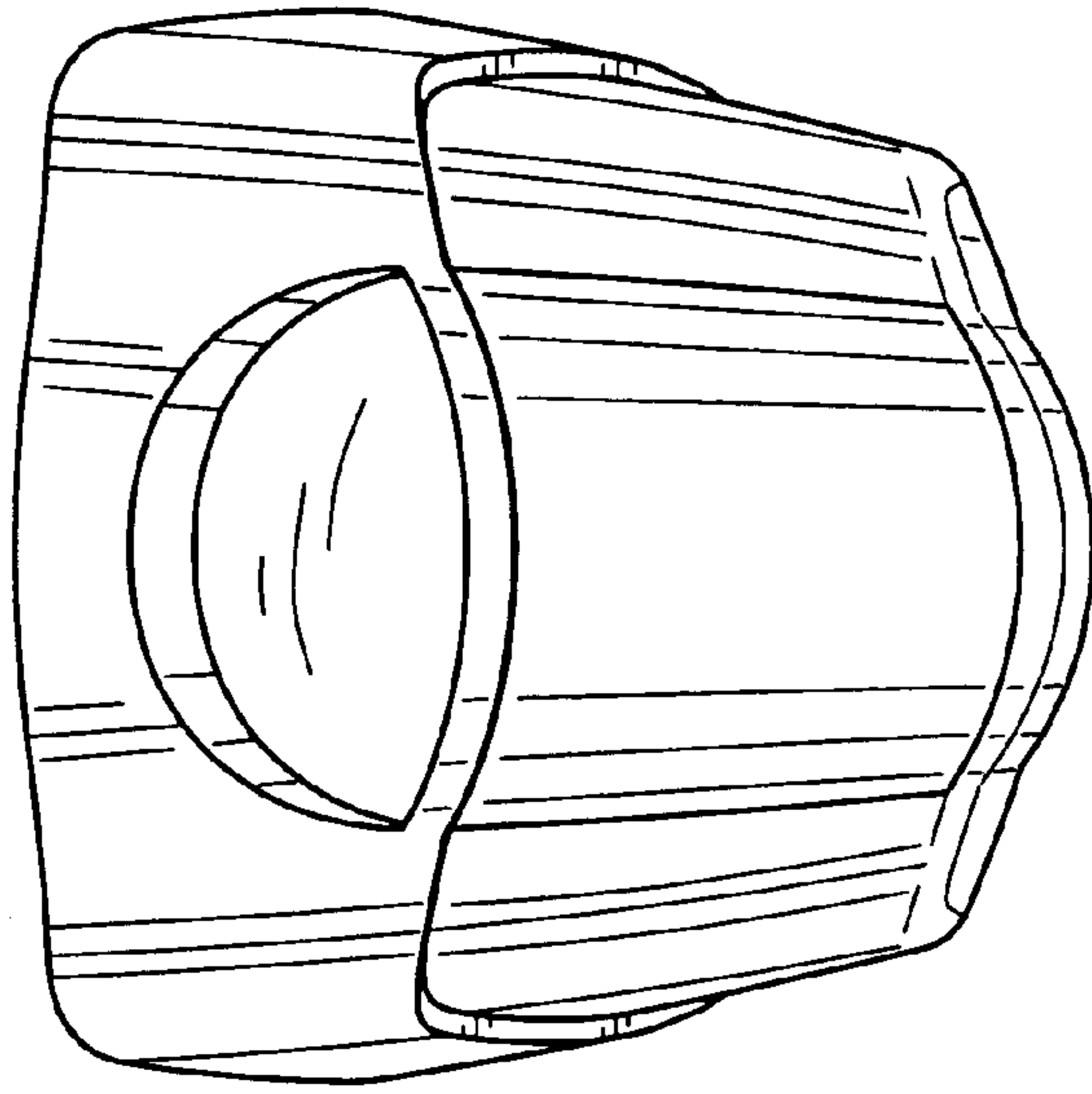


FIG. 2

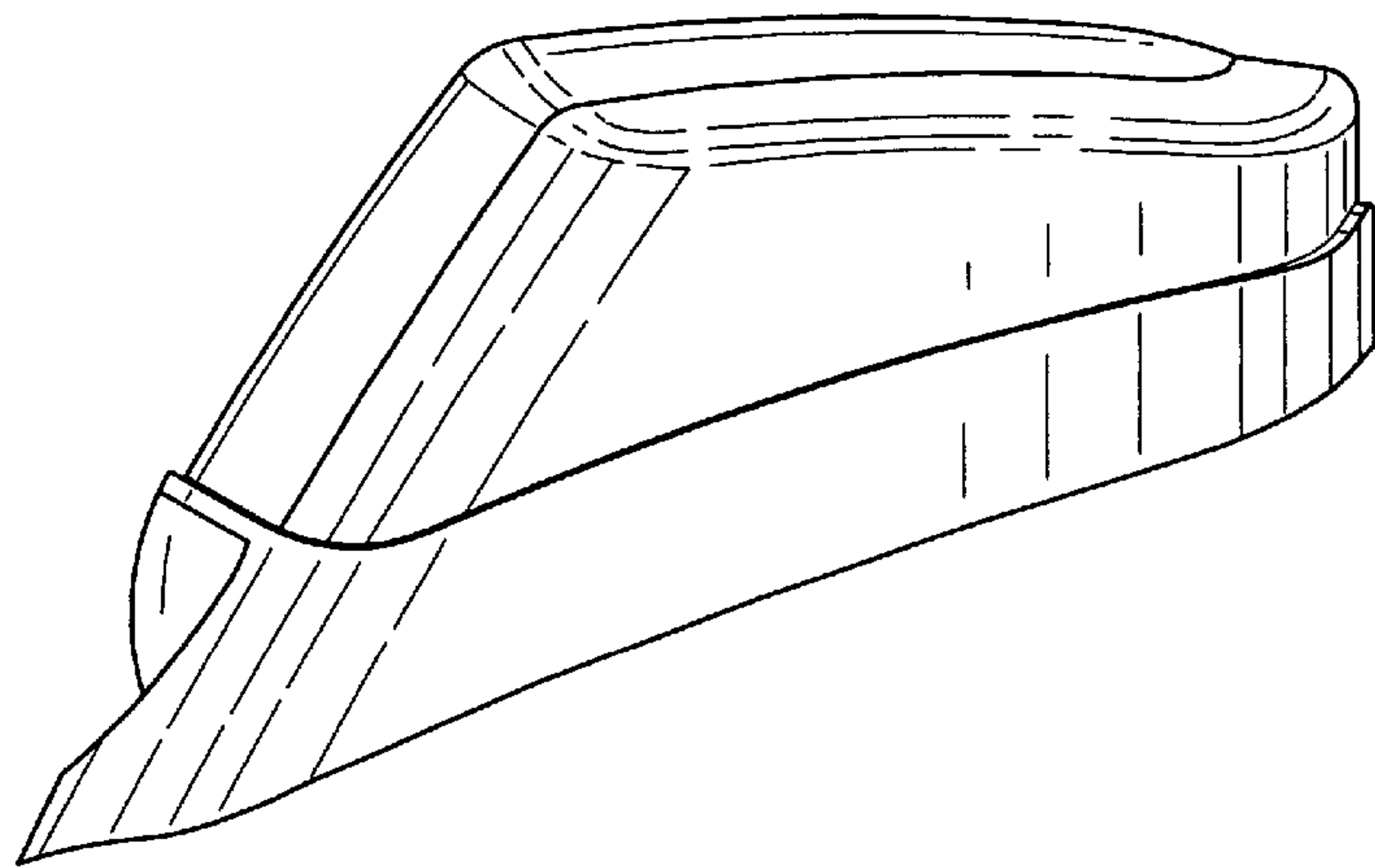


FIG. 3

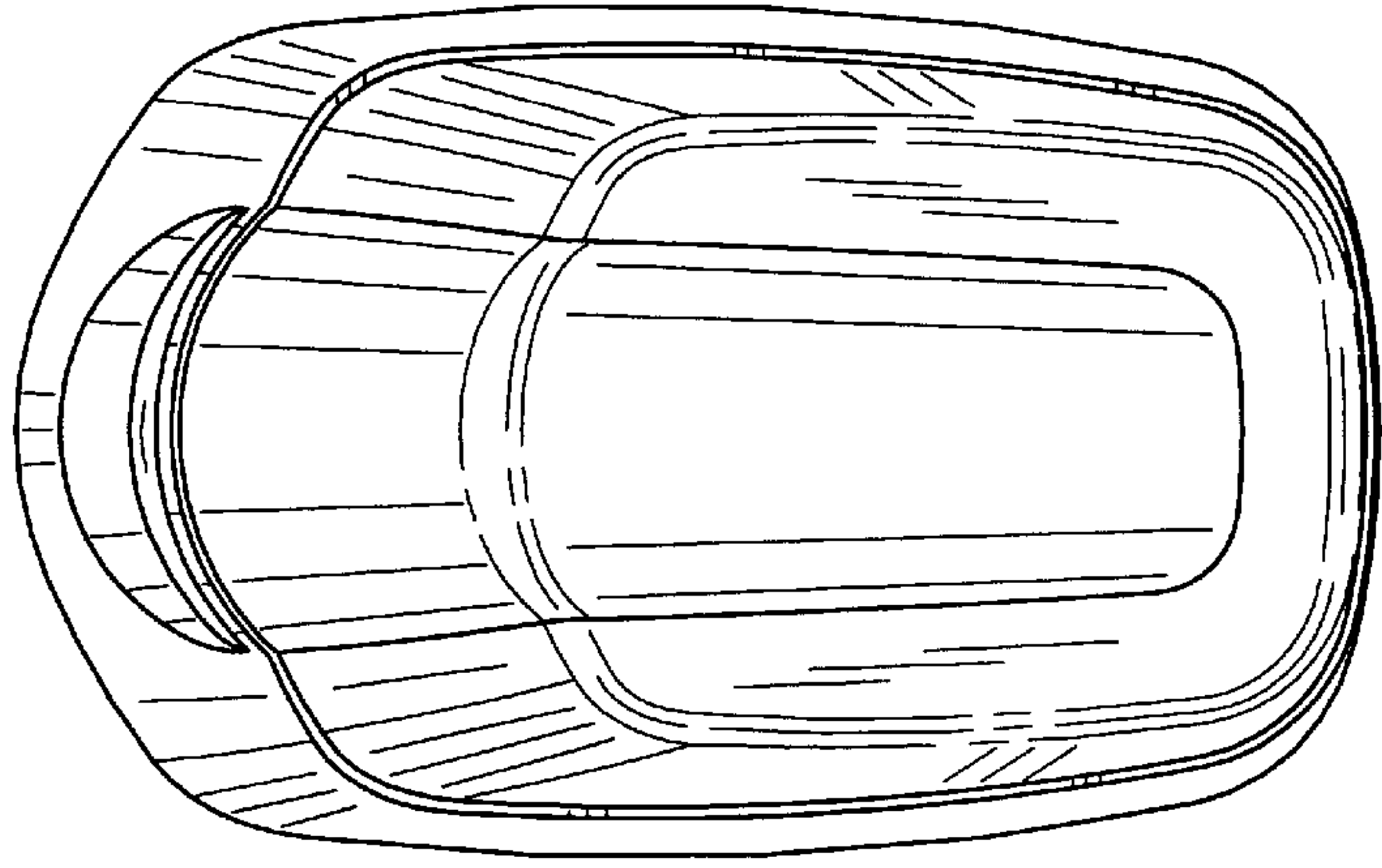


FIG. 4

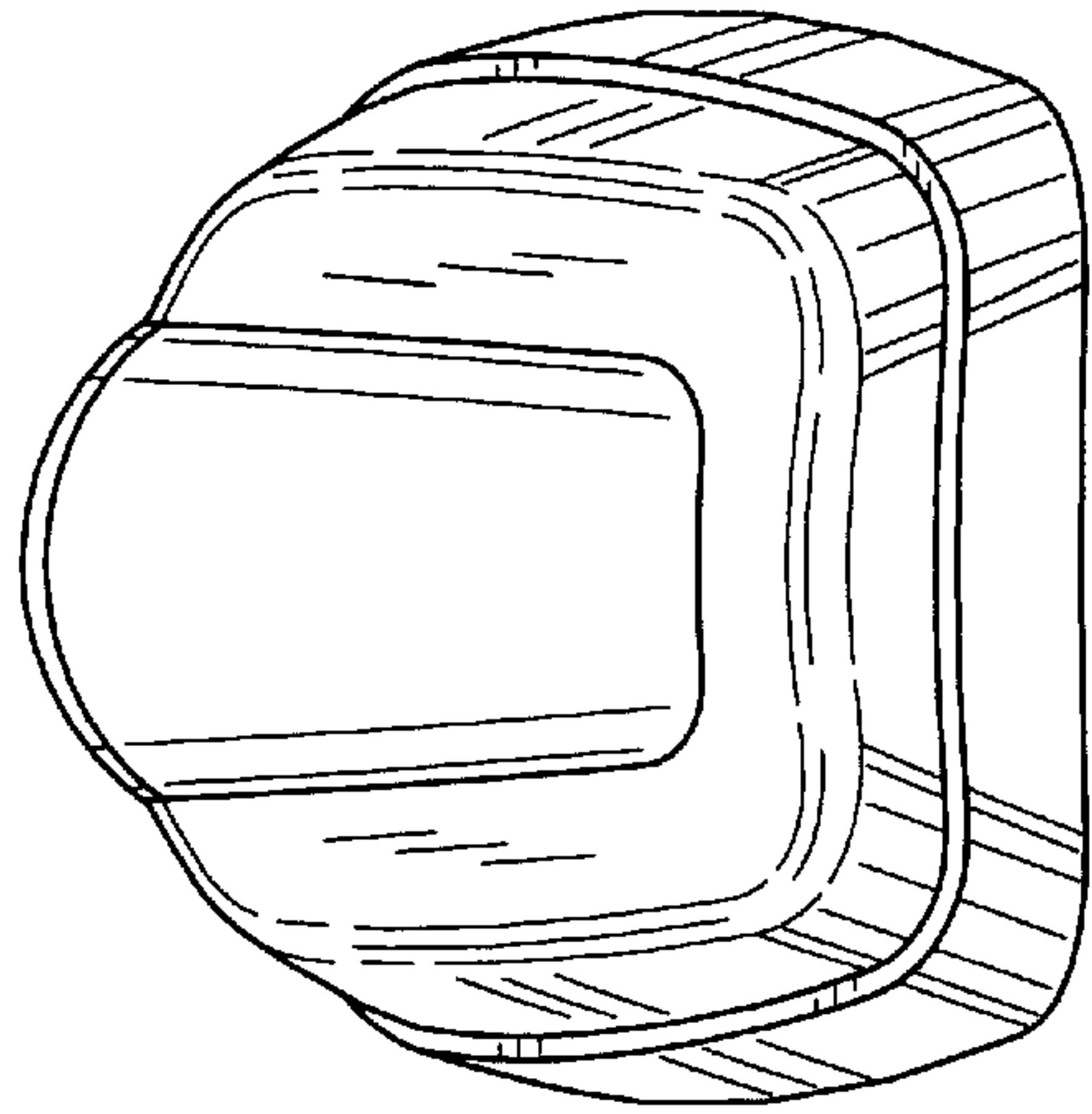


FIG. 5