



US00D409770S

**United States Patent** [19]  
**Kohlberger et al.**

[11] **Patent Number: Des. 409,770**

[45] **Date of Patent: \*\* May 11, 1999**

[54] **BASE FOR A PILLAR OR COLUMN**

*Primary Examiner*—Doris Clark

[76] Inventors: **Walter Kohlberger; Ward Kohlberger**, both of 866 Main Street East, Hamilton, Ontario, Canada, L8M 1L9

[57] **CLAIM**

The ornamental design for a base for a pillar or column, as shown and described.

[\*\*] Term: **14 Years**

**DESCRIPTION**

[21] Appl. No.: **29/071,025**

FIG. 1 is a top perspective view of a base for a pillar or column;

[22] Filed: **May 15, 1997**

FIG. 2 is a bottom perspective view thereof;

[30] **Foreign Application Priority Data**

Nov. 18, 1996 [CA] Canada ..... 1996-2632

FIG. 3 is a sectional view taken along line 3—3 of FIG. 1;

[51] **LOC (6) Cl.** ..... **25-01**

FIG. 4 is a top perspective view of a second embodiment of a base for a pillar or column;

[52] **U.S. Cl.** ..... **D25/133**

FIG. 5 is a bottom perspective view thereof;

[58] **Field of Search** ..... D25/133, 134, D25/127; 52/297, 721.5, 721.3, 737.5

FIG. 6 is a sectional view taken along line 6—6 of FIG. 4;

[56] **References Cited**

**U.S. PATENT DOCUMENTS**

D. 273,712	5/1984	Ahtqvist	.....	D25/133
D. 276,556	11/1984	Haggard	.....	D25/133
367,508	8/1887	Dubois	.....	52/721.3
4,972,642	11/1990	Strobl, Jr	.....	52/297
5,555,696	9/1996	Morrison, III et al.	.....	52/721.3

FIG. 7 is a top perspective view of a third embodiment of a base for a pillar or column;

FIG. 8 is a bottom perspective view thereof;

FIG. 9 is a sectional view taken along line 9—9 of FIG. 7;

FIG. 10 is a top perspective view of a fourth embodiment of a base for a pillar or column;

FIG. 11 is a bottom perspective view thereof; and,

FIG. 12 is a sectional view taken along line 12—12 of FIG. 10.

**1 Claim, 4 Drawing Sheets**

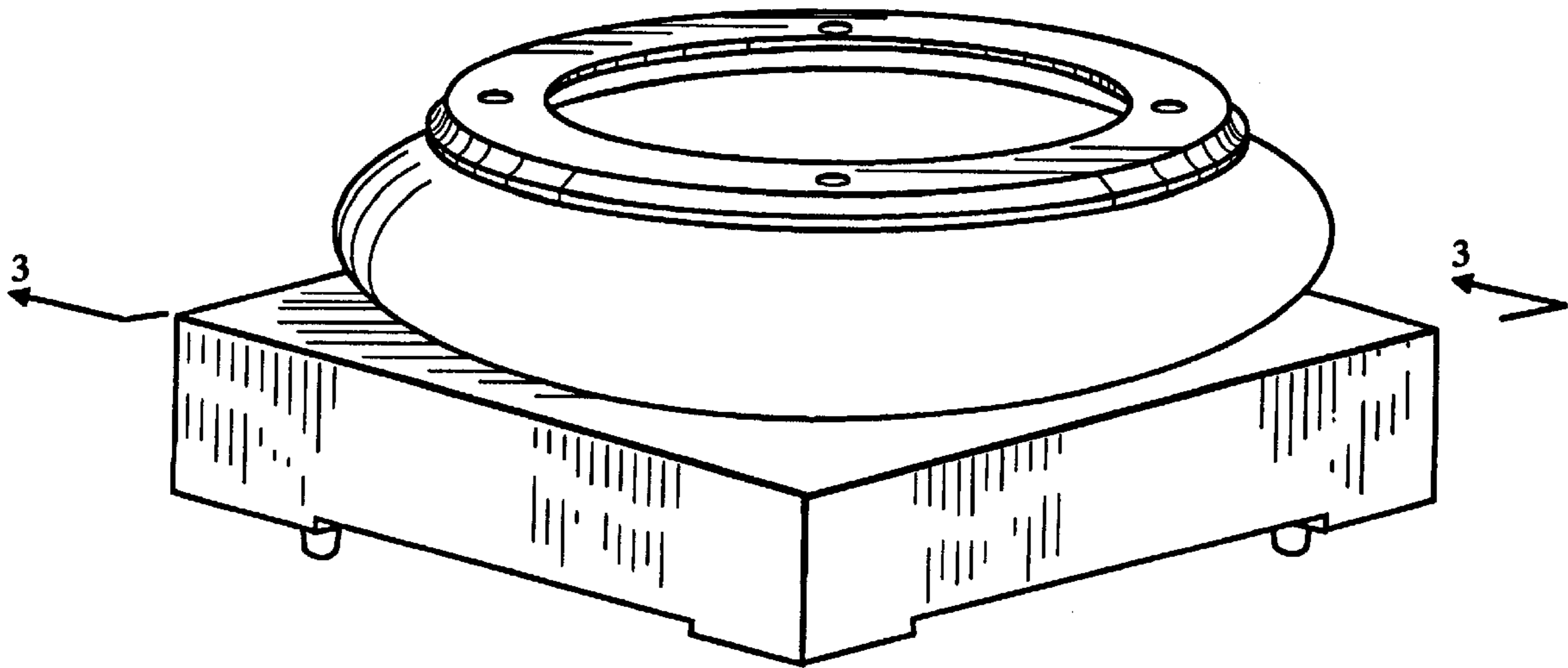


FIGURE 1

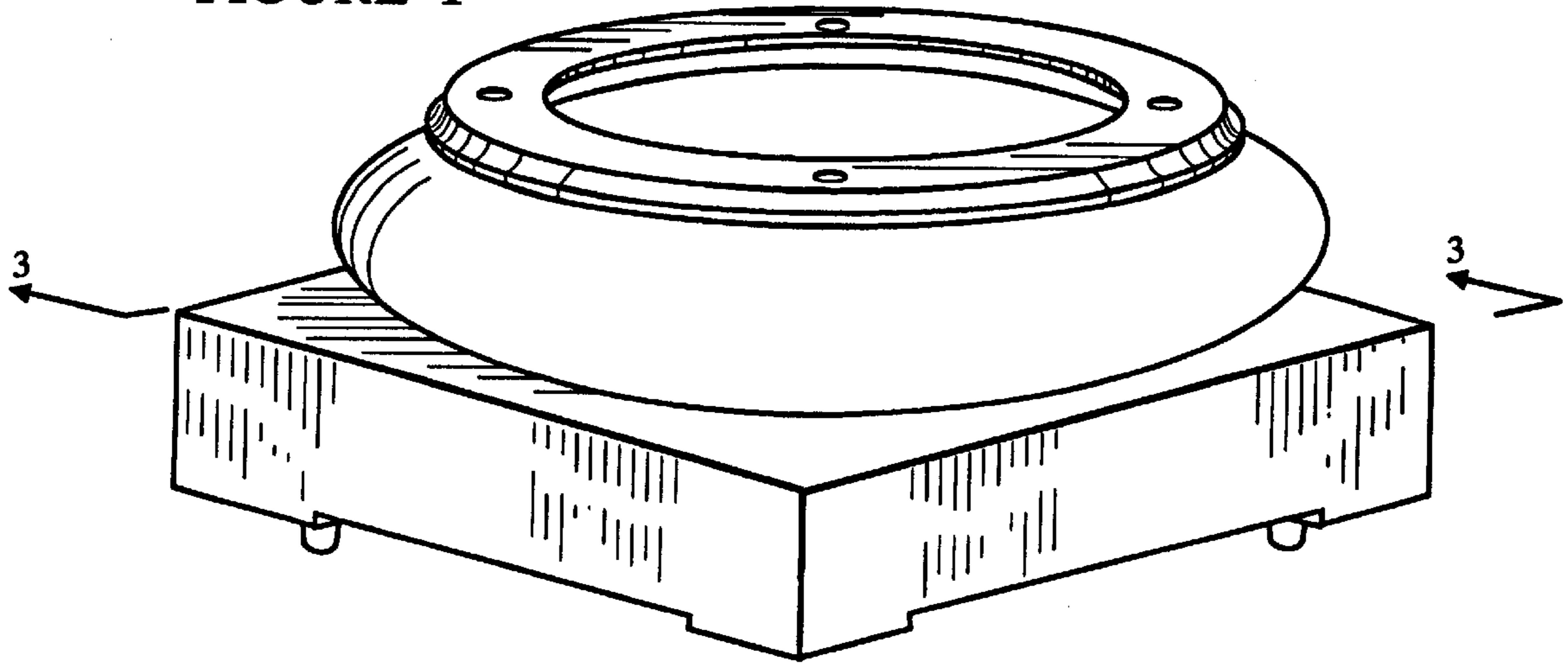


FIGURE 2

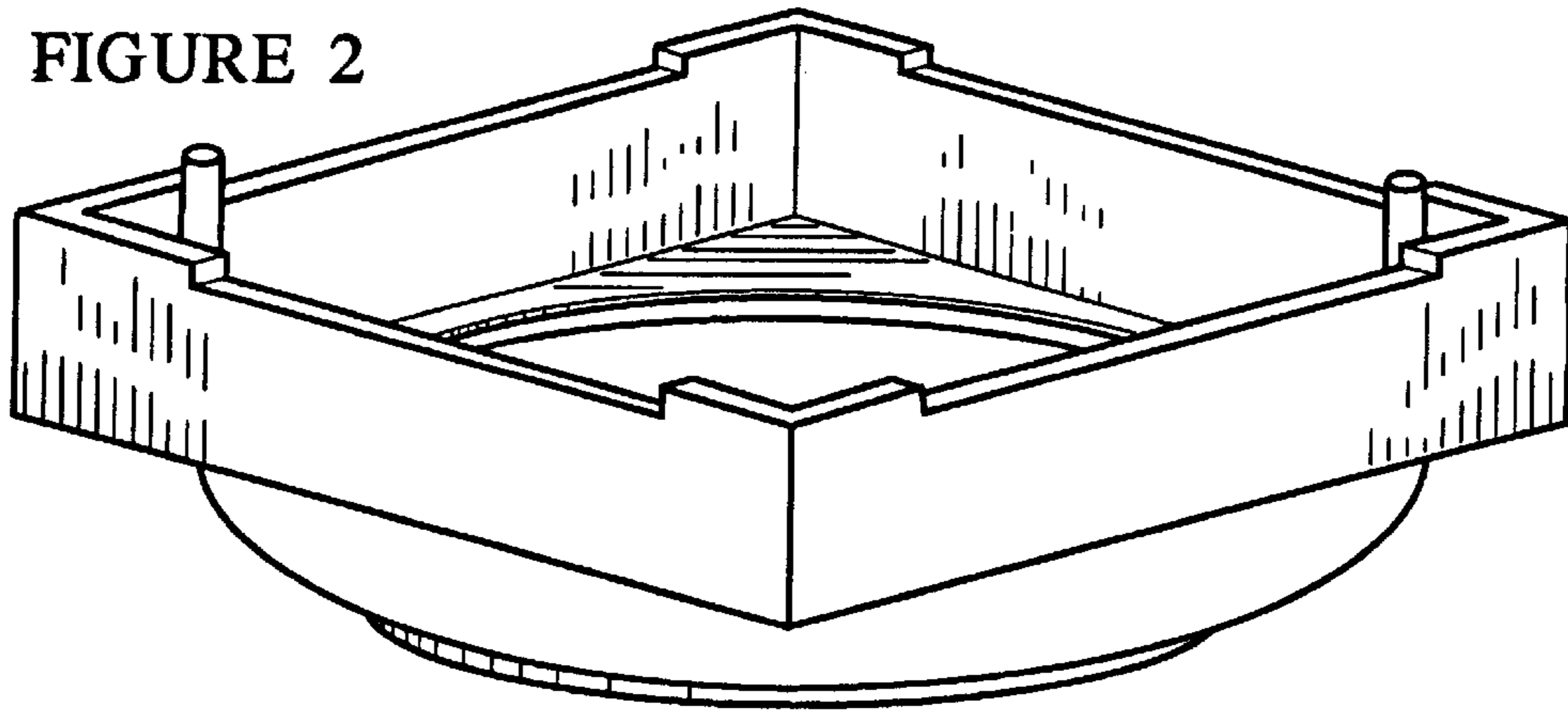


FIGURE 3

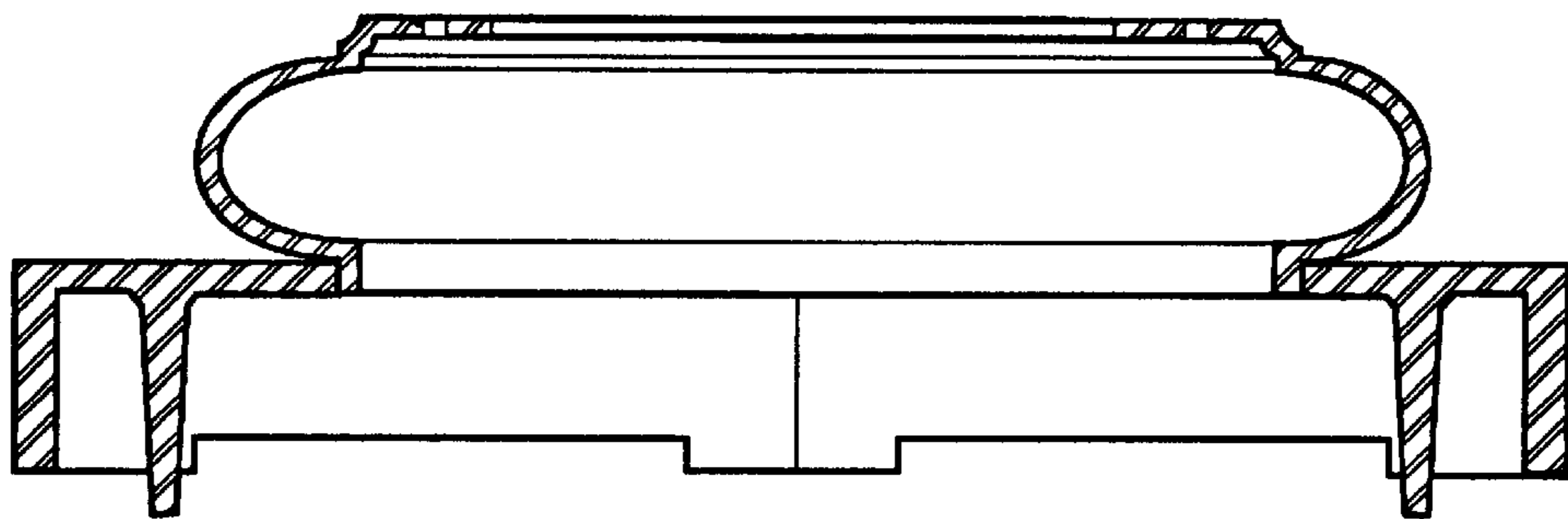


FIGURE 4

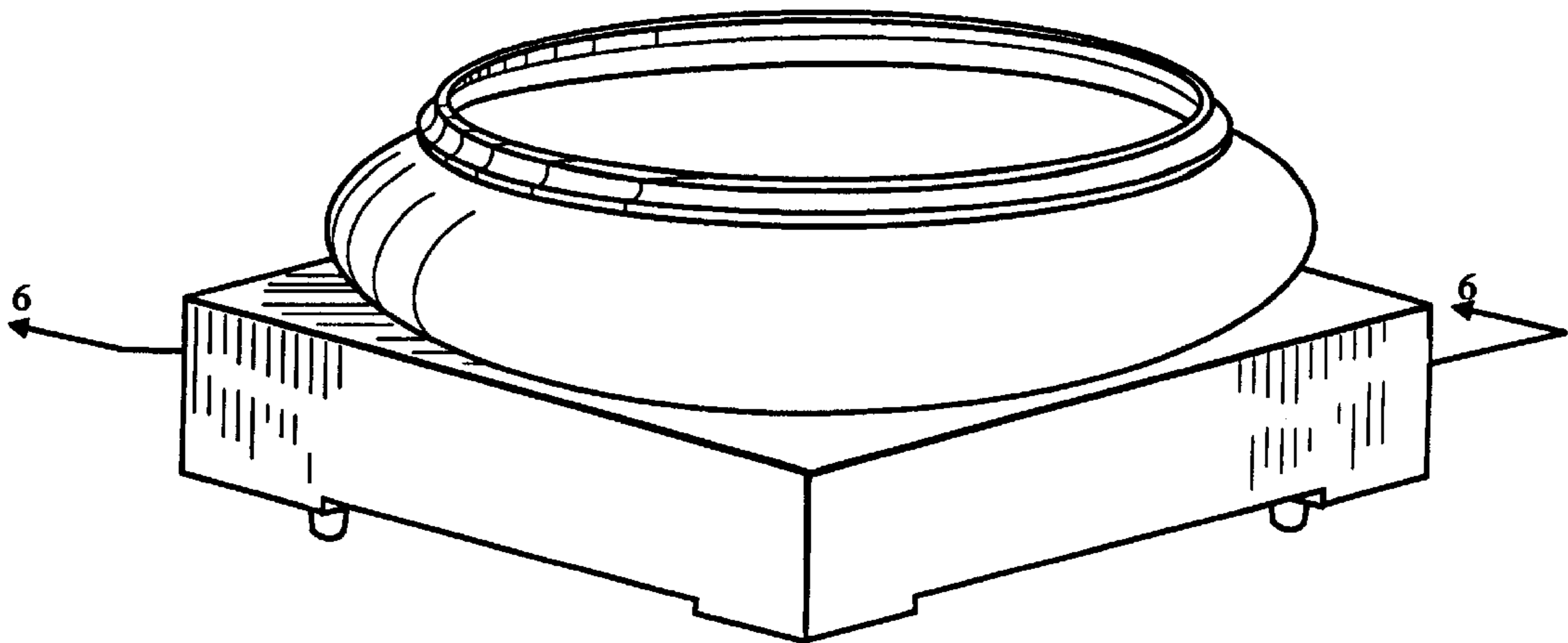


FIGURE 5

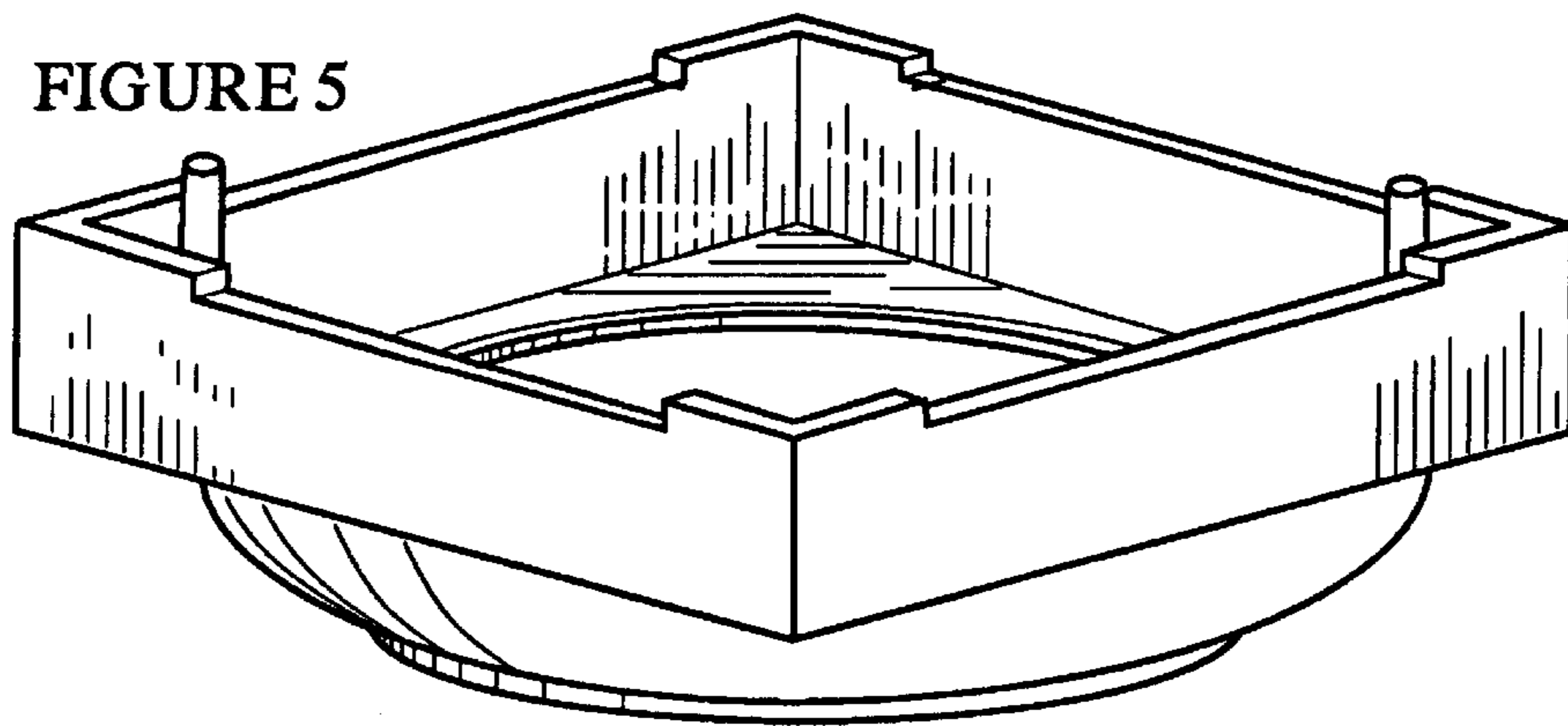


FIGURE 6

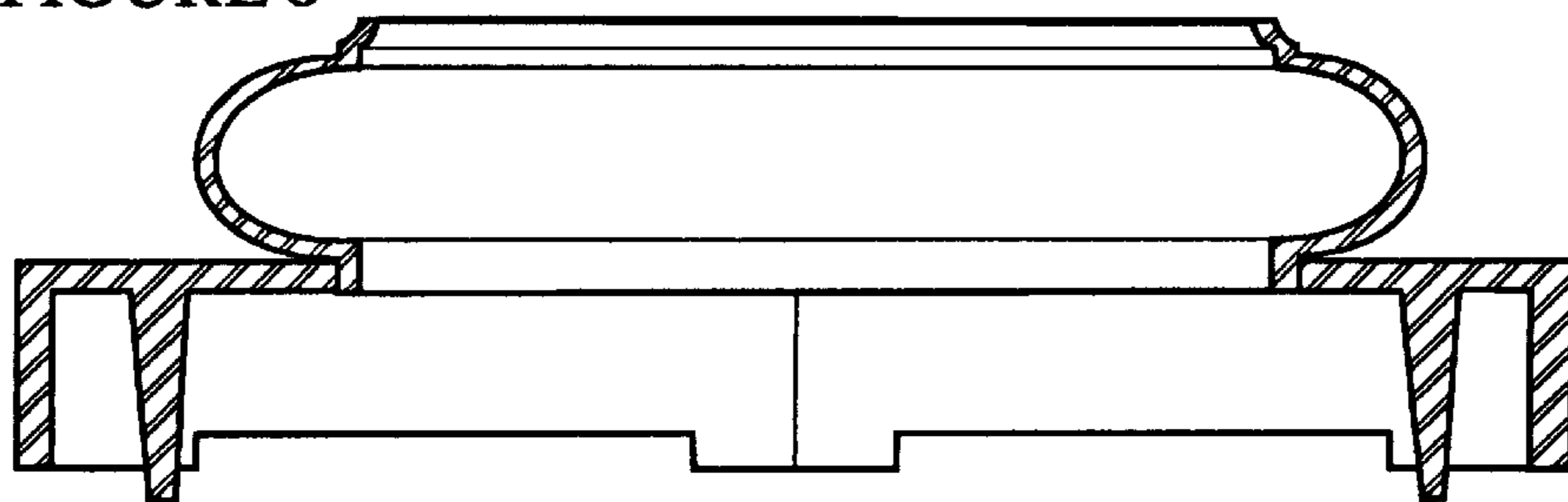


FIGURE 7

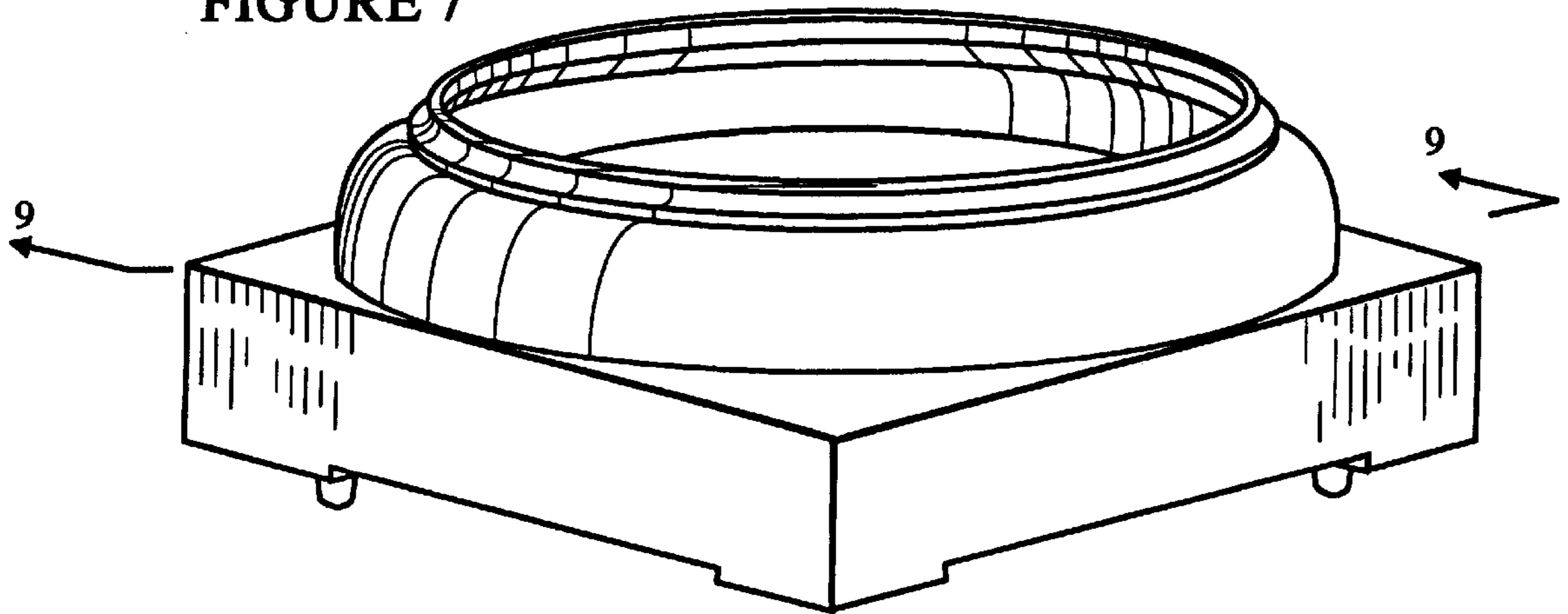


FIGURE 8

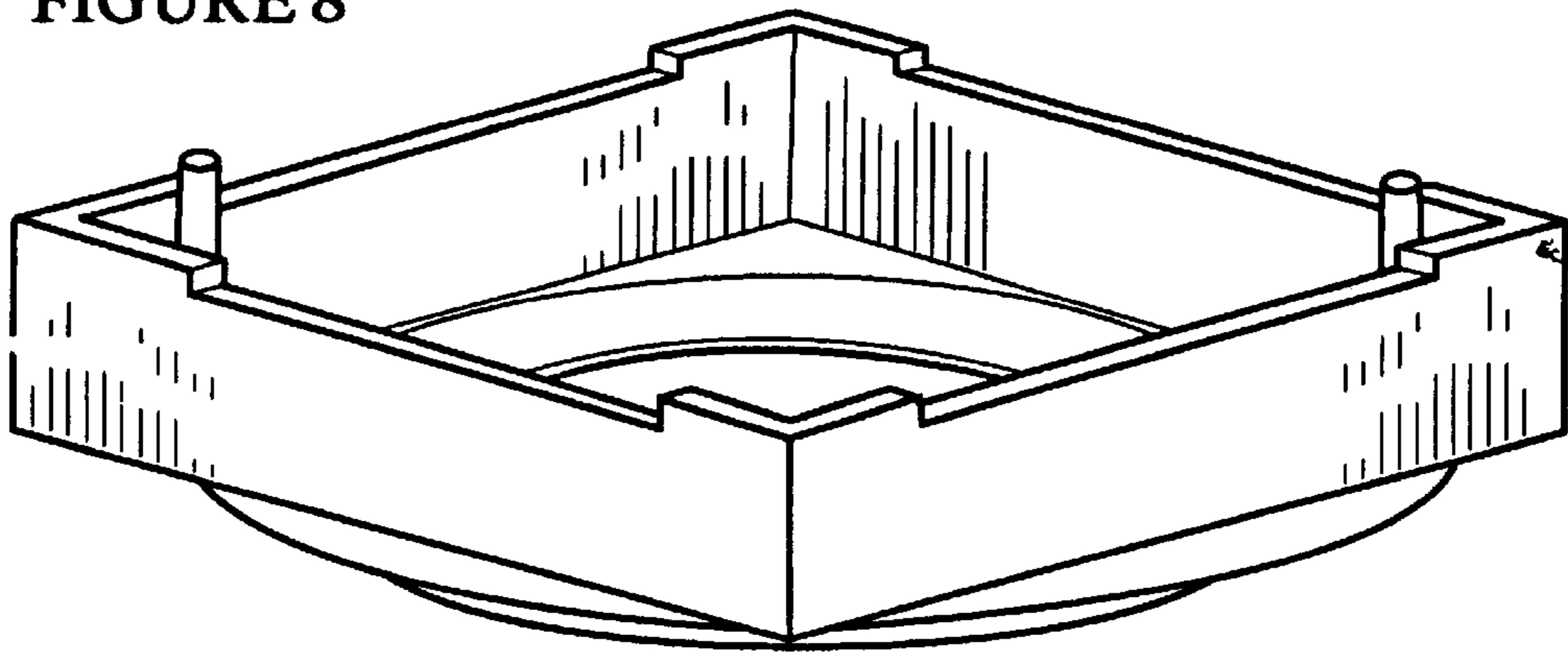


FIGURE 9

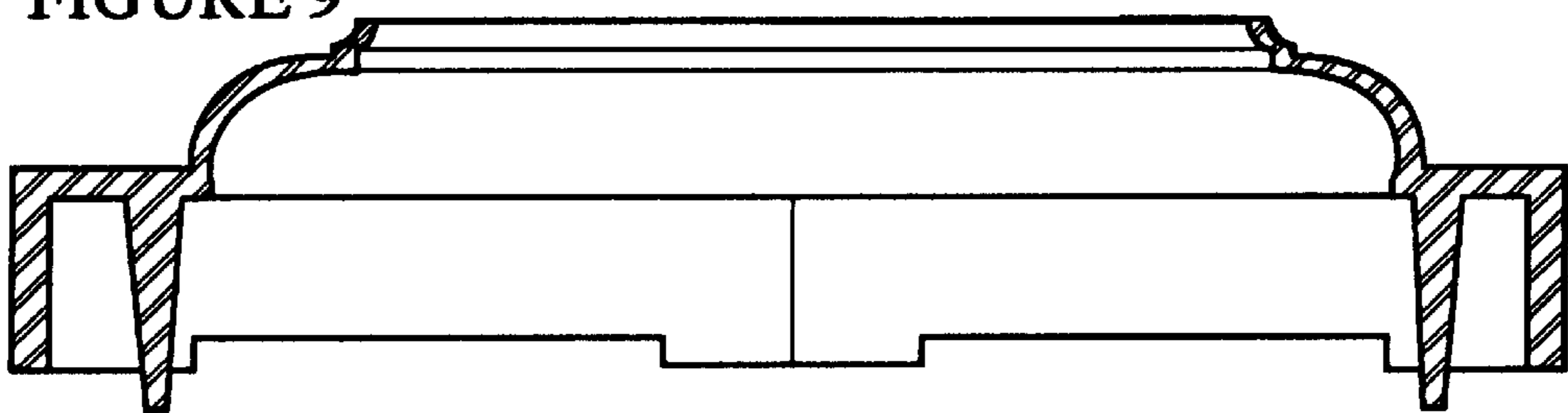


FIGURE 10

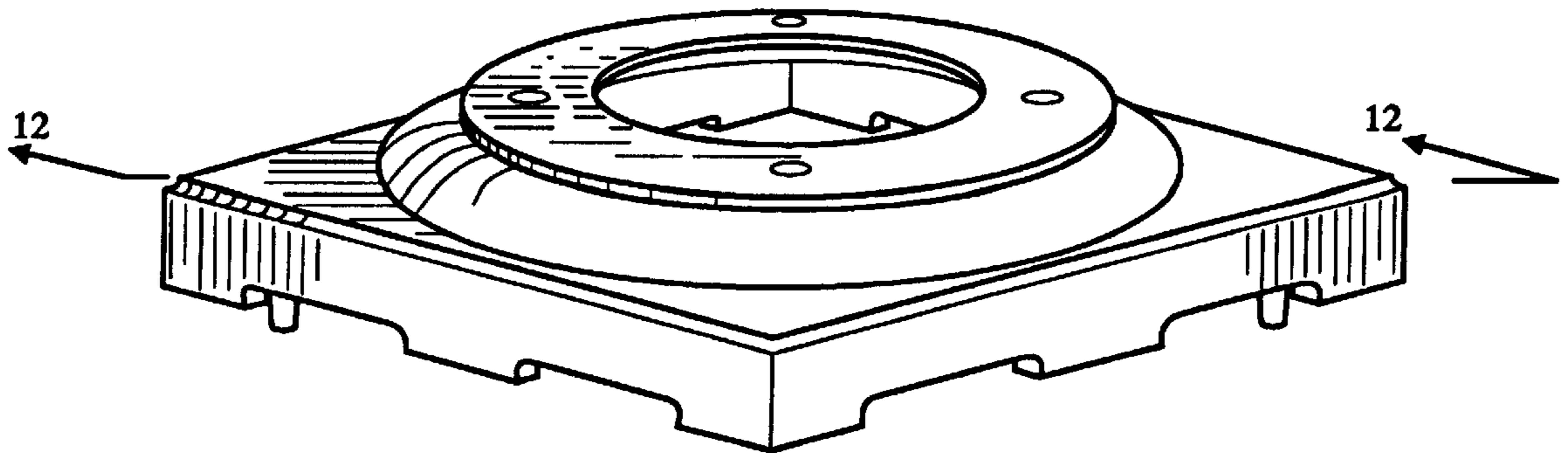


FIGURE 11

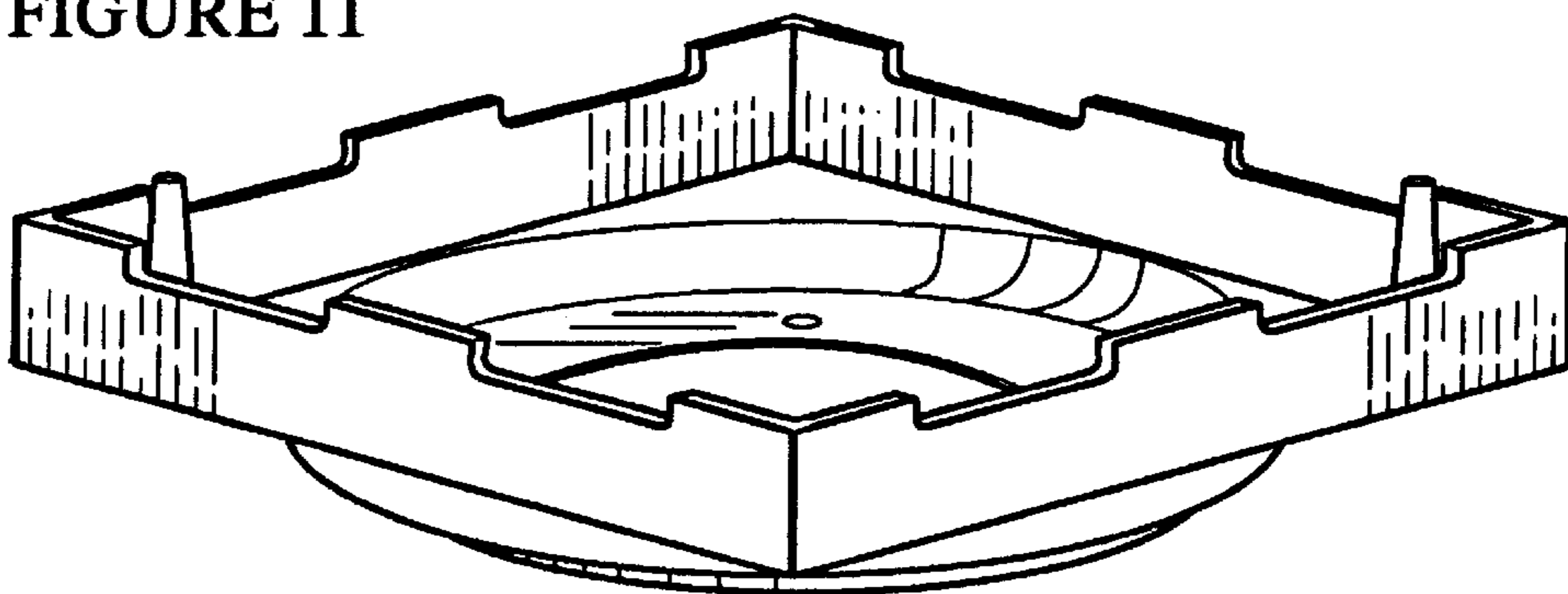


FIGURE 12

