



US00D409767S

United States Patent [19]

[11] Patent Number: **Des. 409,767**

Kenkel et al.

[45] Date of Patent: **** May 11, 1999**

[54] **EXTRUDED SECTION OF A DOOR FRAME**

[75] Inventors: **Terry J. Kenkel**, Des Moines; **Michael J. Billingsley**, Cumming, both of Iowa

[73] Assignee: **EMCO Enterprises, Inc.**, Des Moines, Iowa

[**] Term: **14 Years**

[21] Appl. No.: **29/083,537**

[22] Filed: **Feb. 12, 1998**

[51] **LOC (6) Cl.** **25-01**

[52] **U.S. Cl.** **D25/124**

[58] **Field of Search** D25/124, 60, 48;
49/501, 504, DIG. 2

[56] **References Cited**

U.S. PATENT DOCUMENTS

- D. 344,598 2/1994 Ehmke et al. D25/124
- D. 359,812 6/1995 Bancroft D25/124

Primary Examiner—Doris Clark
Attorney, Agent, or Firm—Zarley, McKee, Thomte, Voorhees & Sease

[57] **CLAIM**

We claim the ornamental design for an extruded section of a door frame, as shown and described.

DESCRIPTION

FIG. 1 is a partial perspective view of the extruded section of a door frame of the present invention. The extruded section of a door frame has been broken or cut at both ends to show indeterminate length.

FIG. 2 is a transverse cross sectional view of the extruded section of a door frame of FIG. 1.

FIG. 3 is a right side elevation view of the extruded section of a door frame of FIG. 1.

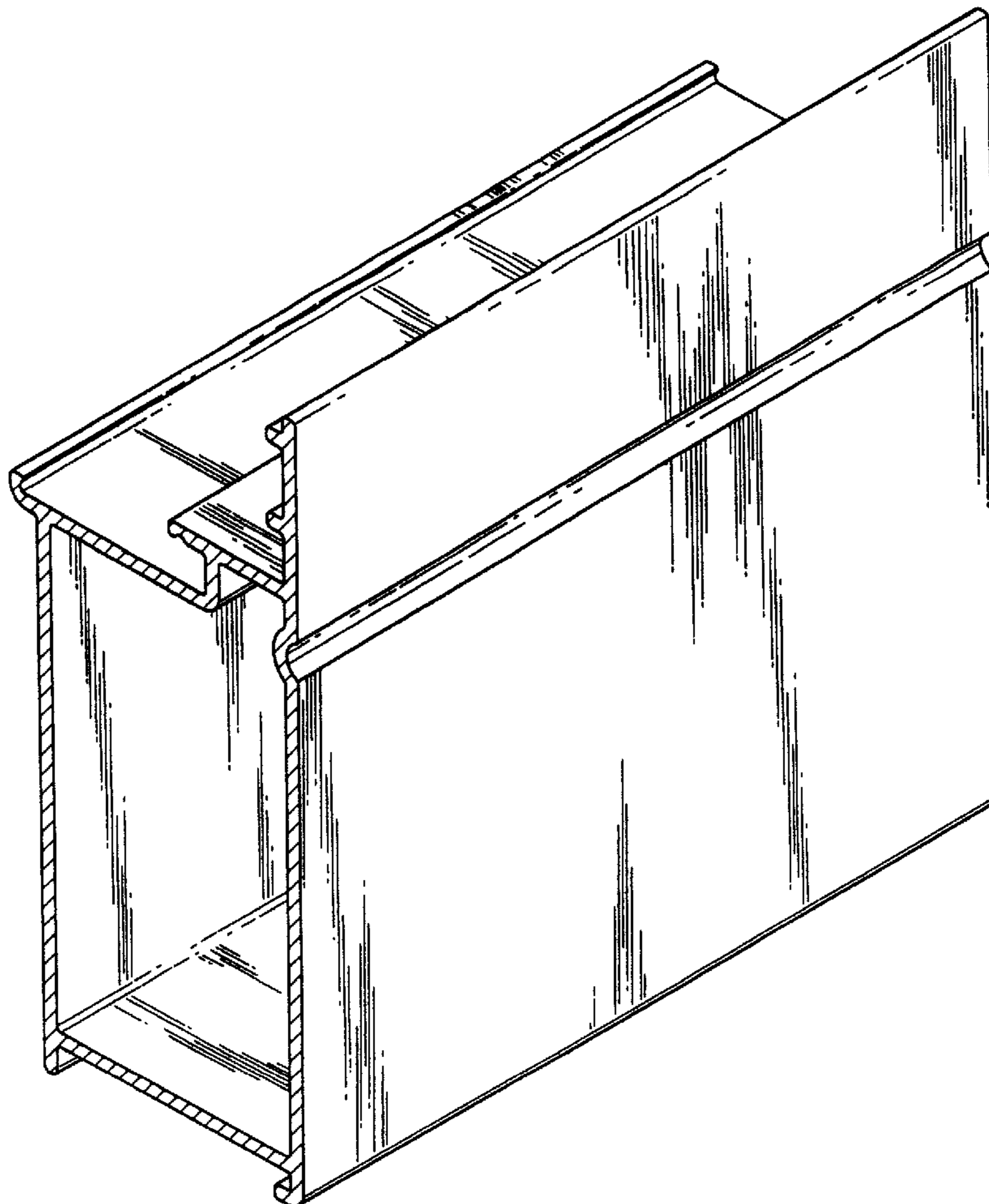
FIG. 4 is a top plan view of the extruded section of a door frame of FIG. 1.

FIG. 5 is a plan view of the bottom of the extruded section of a door frame of FIG. 1; and,

FIG. 6 is a left side elevation view of the extruded section of a door frame of FIG. 1.

In FIGS. 3–6, the extruded section of a door frame has been broken or cut at both ends to show indeterminate length.

1 Claim, 2 Drawing Sheets



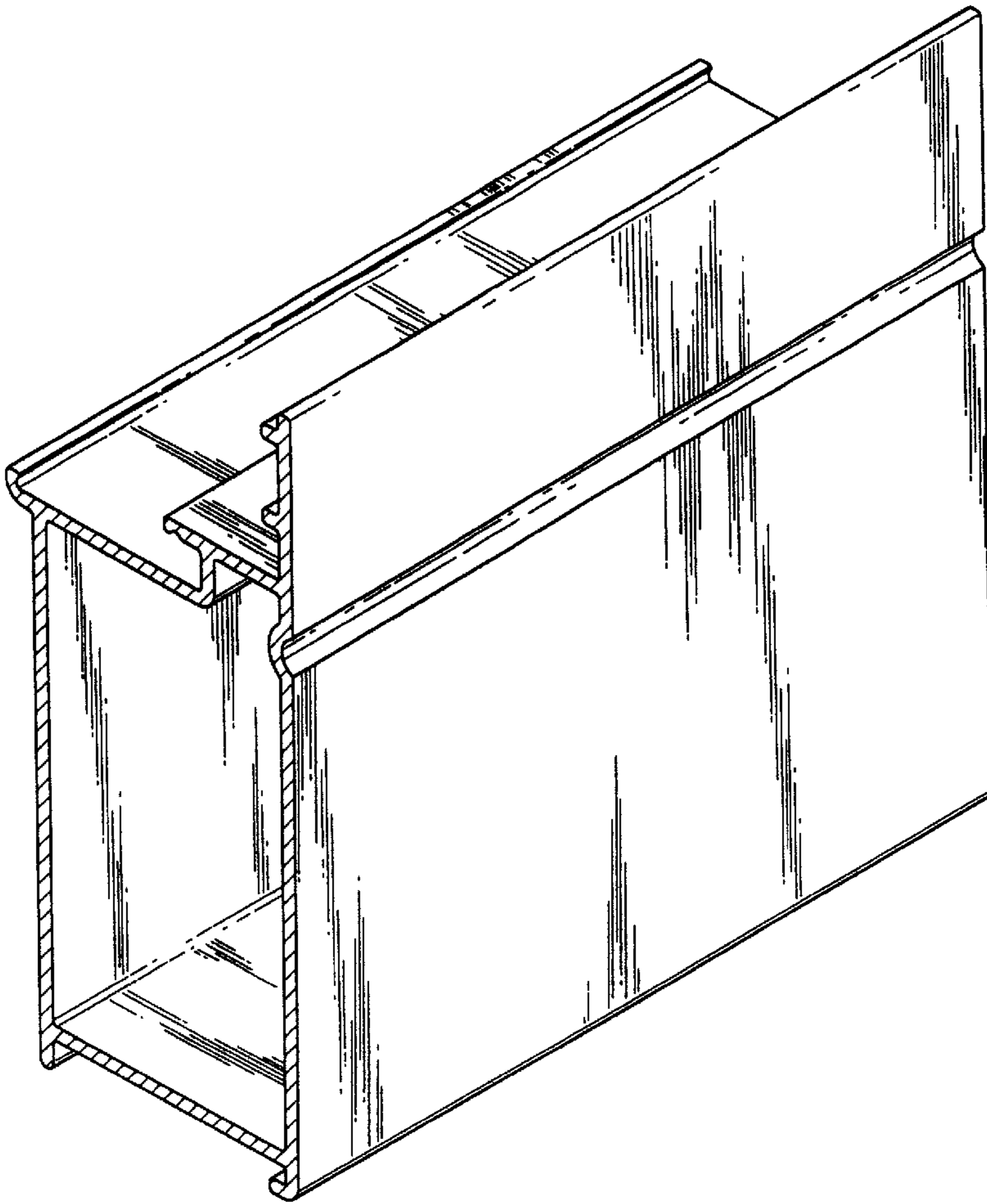


Fig. 1

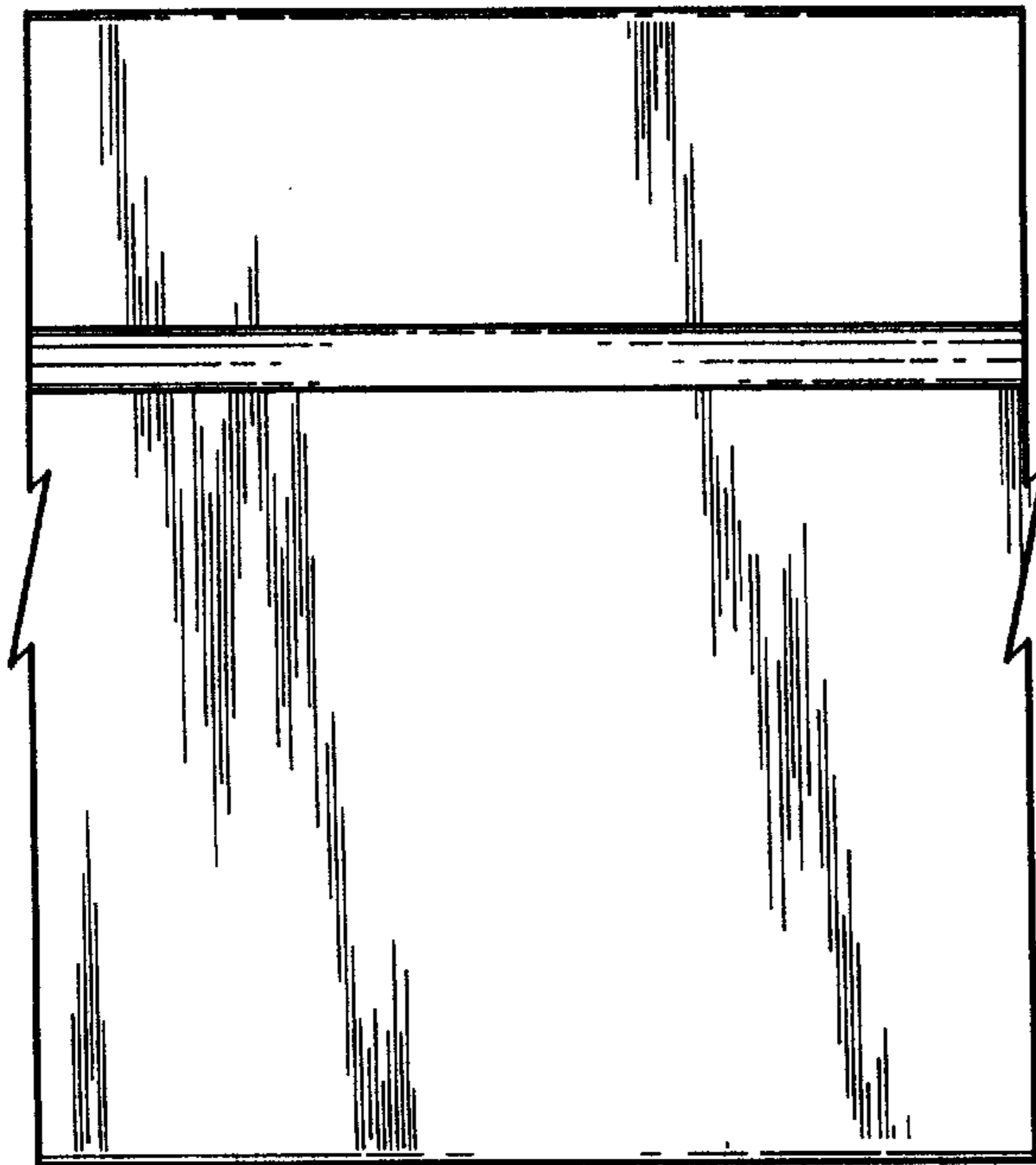


Fig. 3

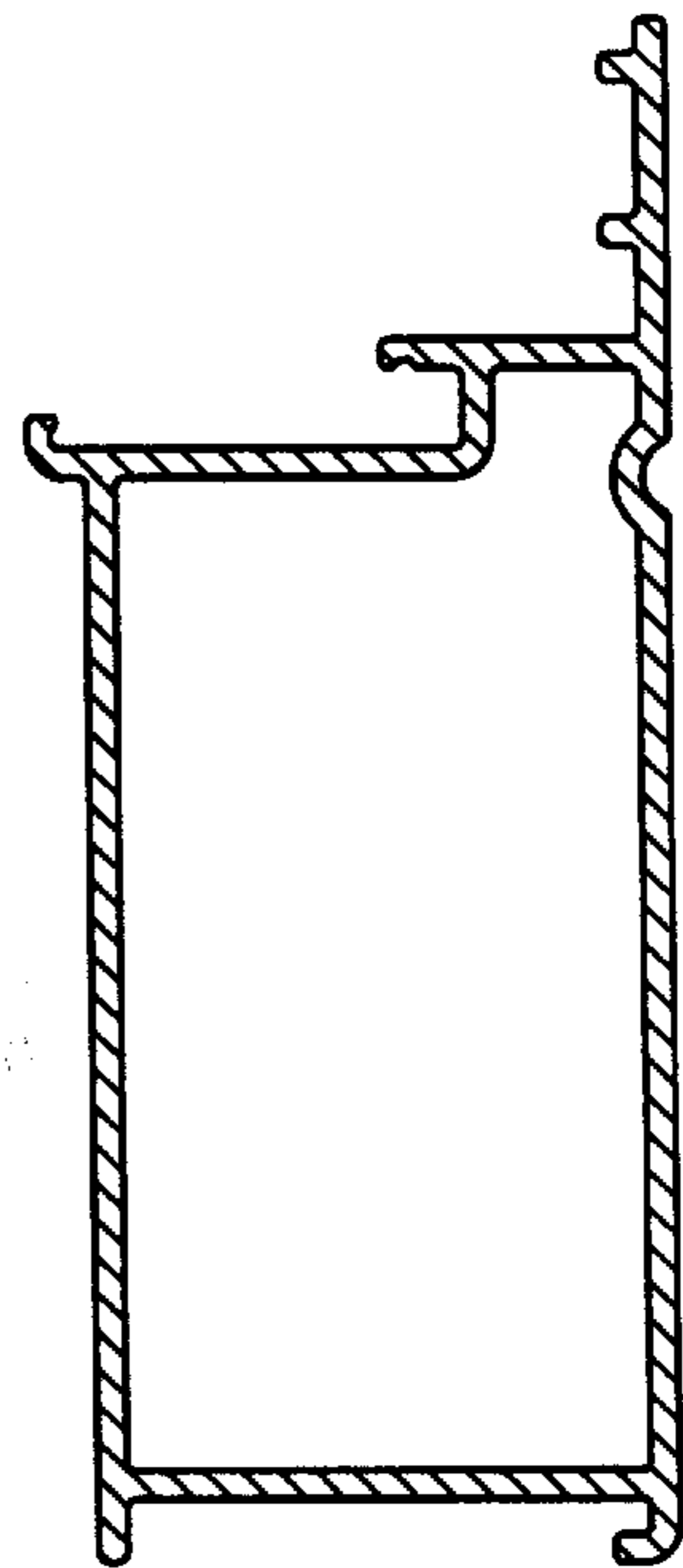


Fig. 2

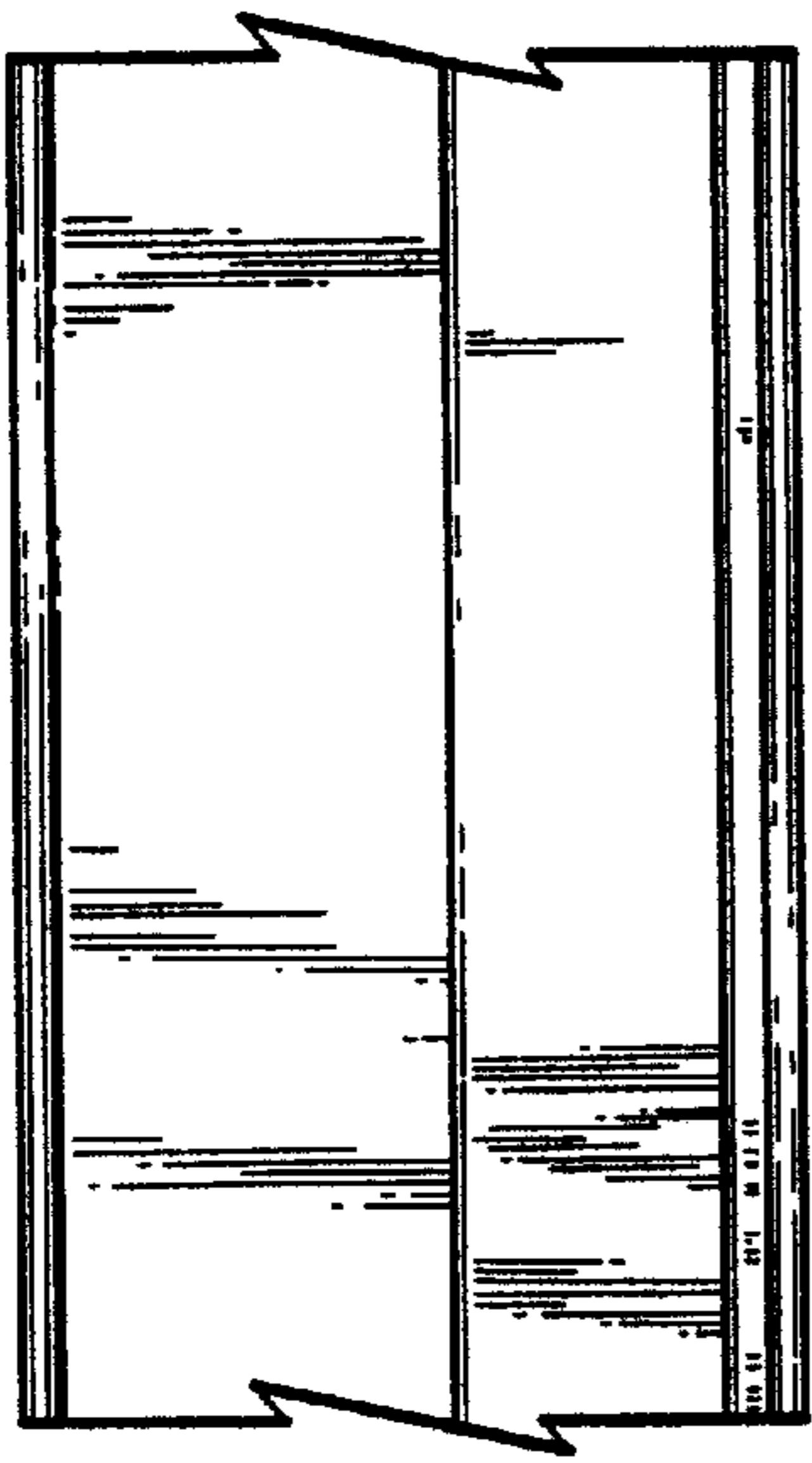


Fig. 4

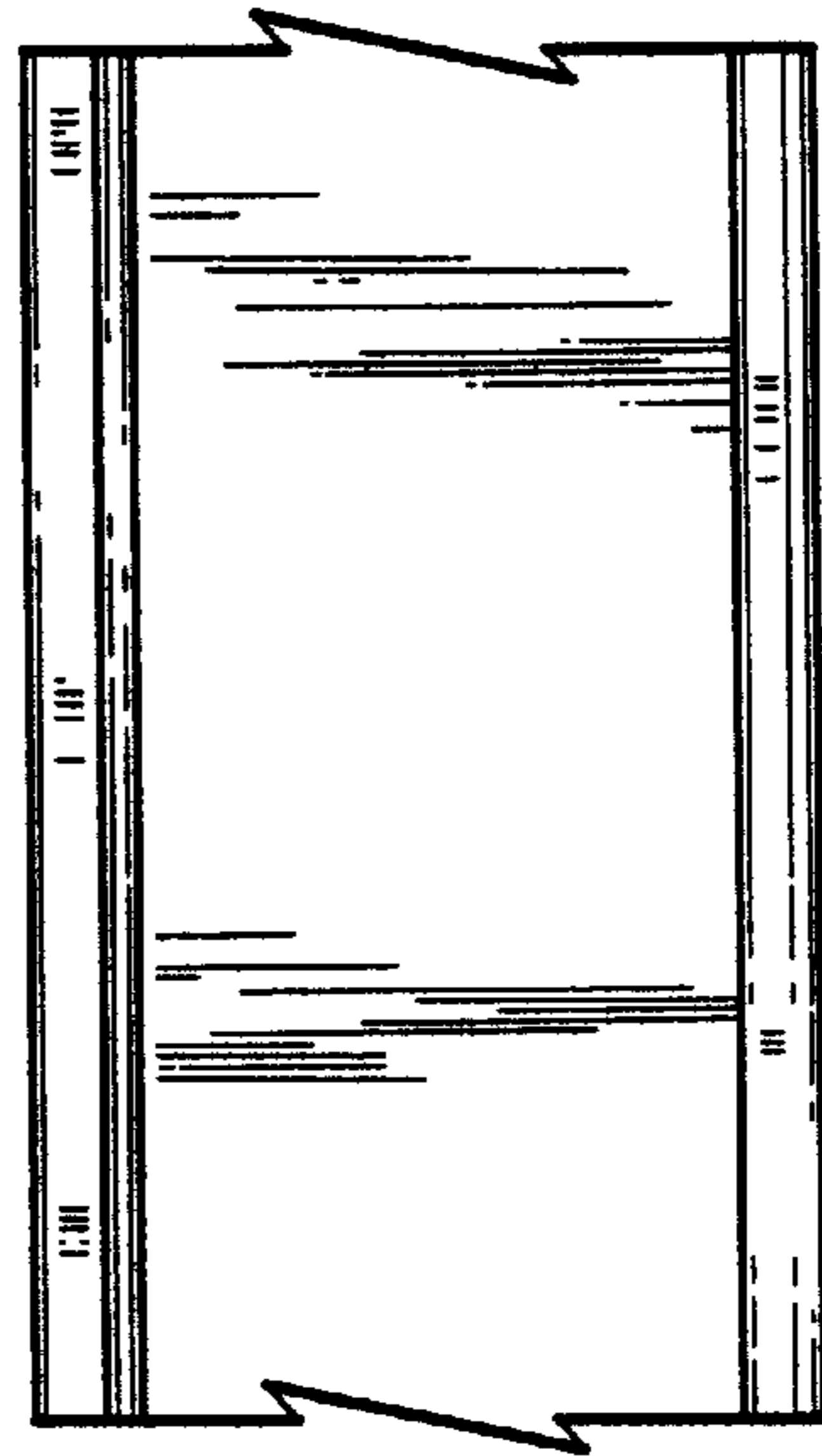


Fig. 5

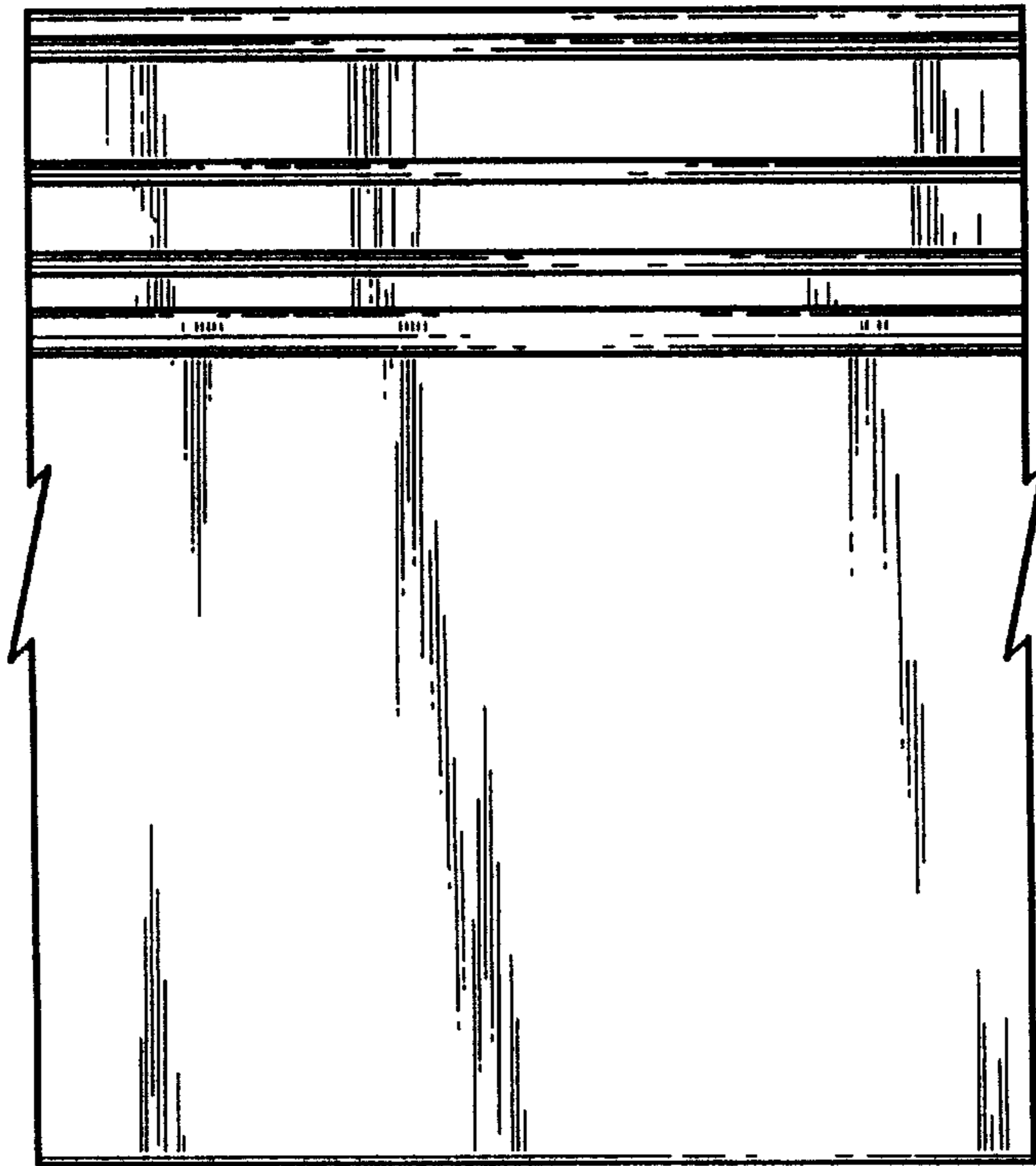


Fig. 6