

US00D409764S

United States Patent [19]

Laga

[11] **Patent Number: Des. 409,764**

[45] **Date of Patent: ** May 11, 1999**

[54] **CROSS MEMBER FOR A SAWHORSE**

[75] Inventor: **Kenneth Laga**, Franklin, Mass.

[73] Assignee: **American Manufacturing Company, Inc.**, Allentown, Pa.

[**] Term: **14 Years**

[21] Appl. No.: **29/086,470**

[22] Filed: **Apr. 14, 1998**

[51] **LOC (6) Cl.** **25-04**

[52] **U.S. Cl.** **D25/68**

[58] **Field of Search** D25/67, 68; 182/181, 182/153, 155

[56] **References Cited**

U.S. PATENT DOCUMENTS

2,832,648	4/1958	Goosmann	182/155
5,119,903	6/1992	Ulshafer, Jr.	182/155
5,282,519	2/1994	Venturo et al.	D25/67

Primary Examiner—Doris Clark
Attorney, Agent, or Firm—Samuels, Gauthier & Stevens

[57] **CLAIM**

I claim the ornamental design for a cross member for a sawhorse, as shown and described.

DESCRIPTION

FIG. 1 is a perspective view of a cross member for a sawhorse;

FIG. 2 is a top plan view;

FIG. 3 is a front view;

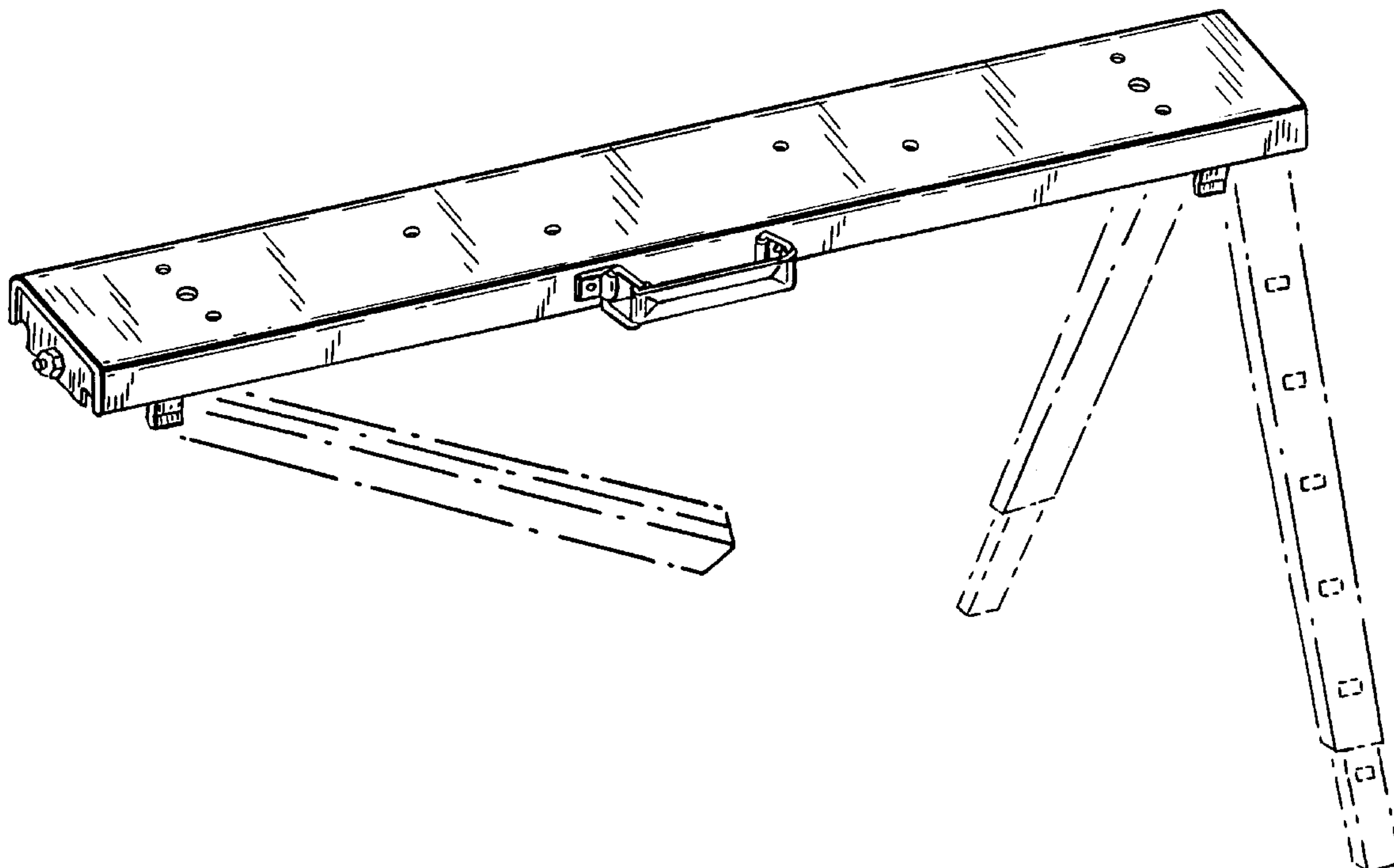
FIG. 4 is a bottom view;

FIG. 5 is a back view; and,

FIG. 6 is a left side view, the right side being a mirror image thereof.

The broken lines illustrating sawhorse legs are for illustrative purposes only and form no part of the claimed design.

1 Claim, 3 Drawing Sheets



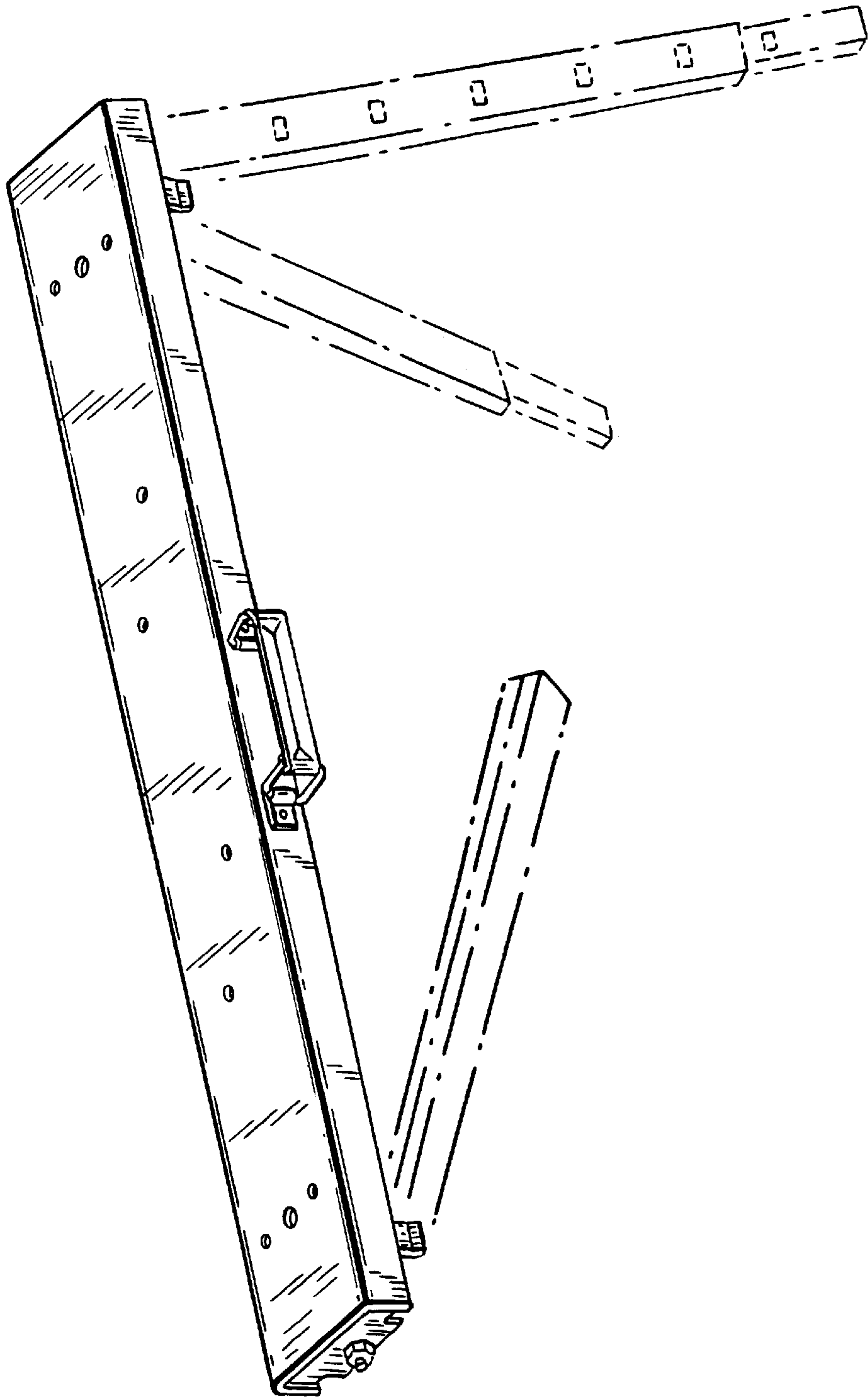


FIG. 1

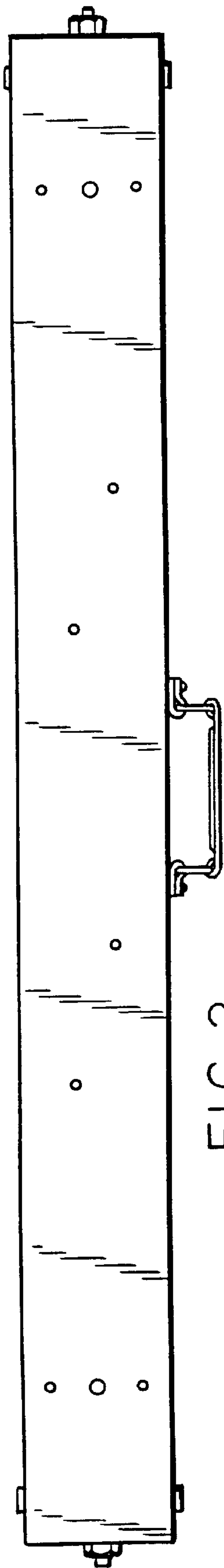


FIG. 2



FIG. 3

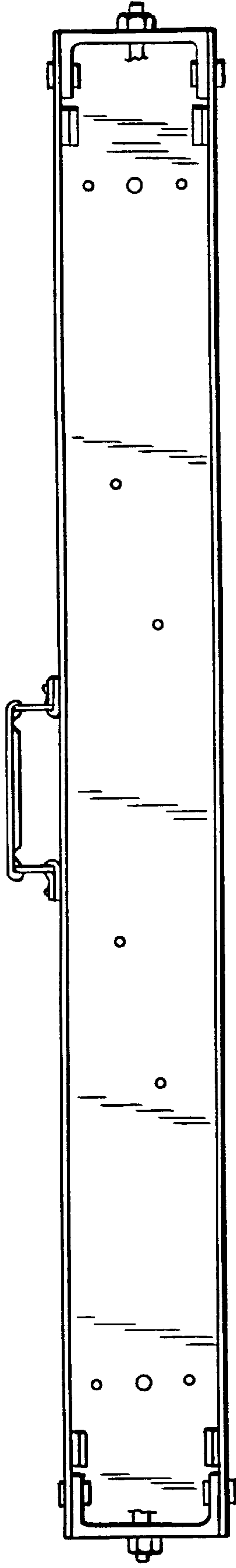


FIG. 4



FIG. 5

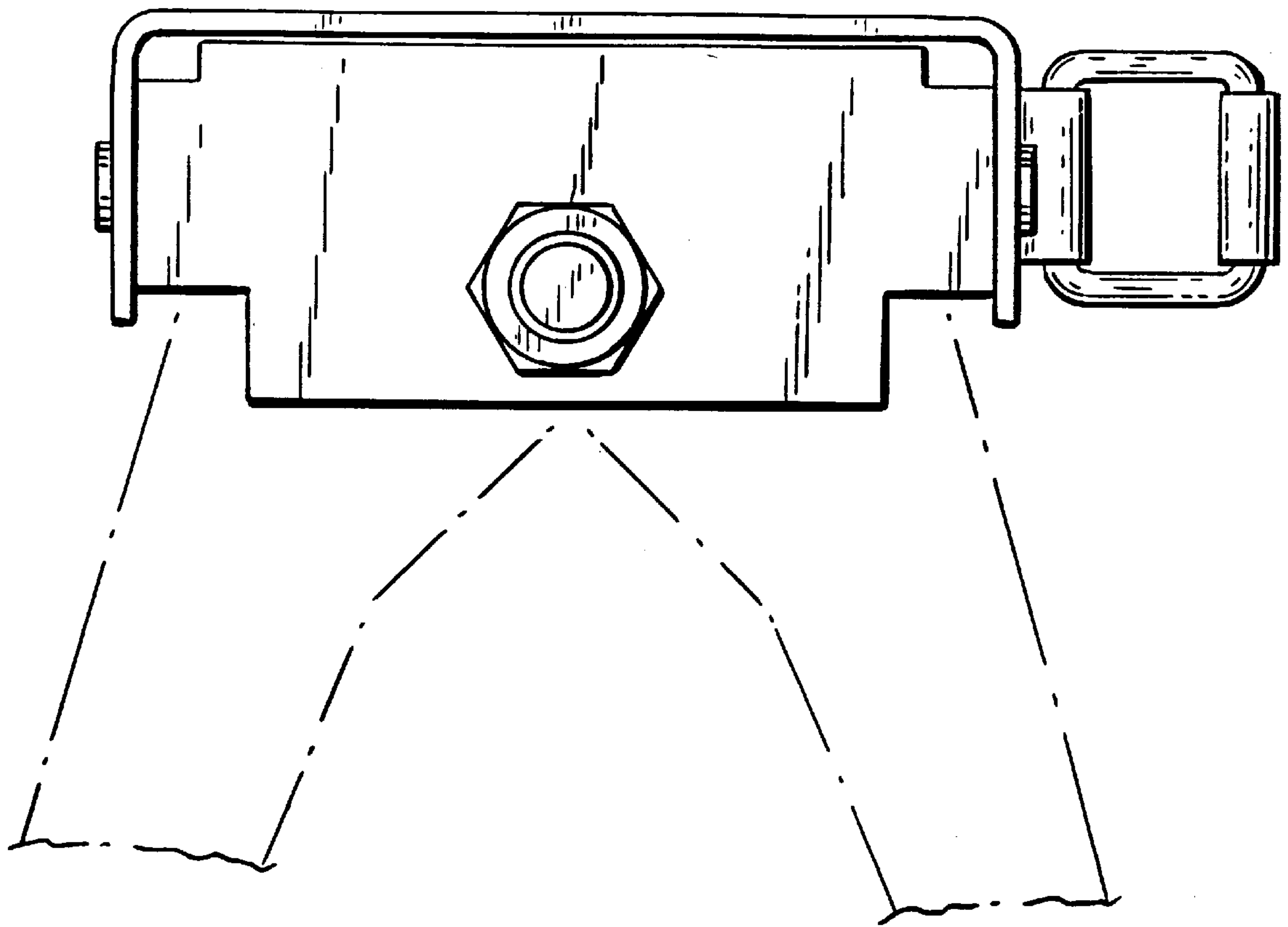


FIG. 6