



US00D409763S

United States Patent [19]

Rogers et al.

[11] Patent Number: **Des. 409,763**

[45] Date of Patent: **** May 11, 1999**

[54] TAILGATE CANOPY

5,601,104 2/1997 Perkins 135/88.06
5,660,425 8/1997 Weber 135/88.01

[76] Inventors: **Steven Dean Rogers**, 25770 W. 129th, Olathe, Kans. 66061; **Chester Dean Rogers**, 24 Holly Dr., Olathe, Kans. 66062

Primary Examiner—Doris Clark
Attorney, Agent, or Firm—Lathrop & Gage, L.C.

[**] Term: **14 Years**

[57] **CLAIM**

The ornamental design for a tailgate canopy, as shown and described.

[21] Appl. No.: **29/087,939**

DESCRIPTION

[22] Filed: **May 12, 1998**

FIG. 1 is a perspective view of a tailgate canopy showing our new design. The broken lines showing a portion of a small truck in the Figure is environmental only and form no part of the claimed design.

[51] **LOC (6) Cl.** **25-02**

[52] **U.S. Cl.** **D25/56**

[58] **Field of Search** D25/56; 135/87, 135/88.01, 88.05, 88.06

FIG. 2 is a side elevational view of the tailgate canopy.

FIG. 3 is a top plan view of the tailgate canopy.

FIG. 4 is a front elevational view of the tailgate canopy.

FIG. 5 is a rear elevational view of the tailgate canopy; and,

FIG. 6 is a bottom plan view of the tailgate canopy.

[56] References Cited

U.S. PATENT DOCUMENTS

D. 363,790 10/1995 Boyd D25/56
3,870,061 3/1975 Lowery 135/88.01

1 Claim, 3 Drawing Sheets

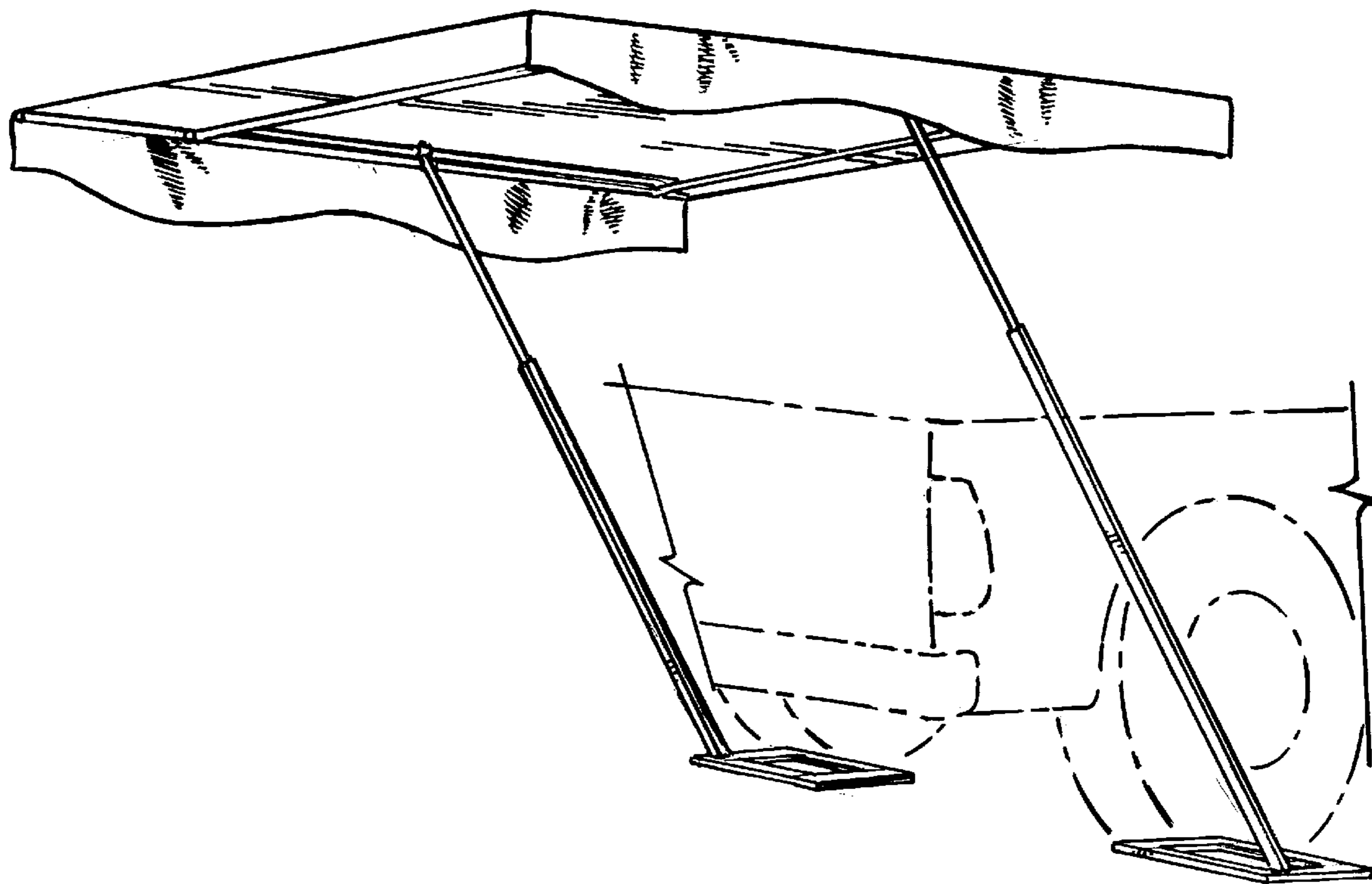


Fig. 1.

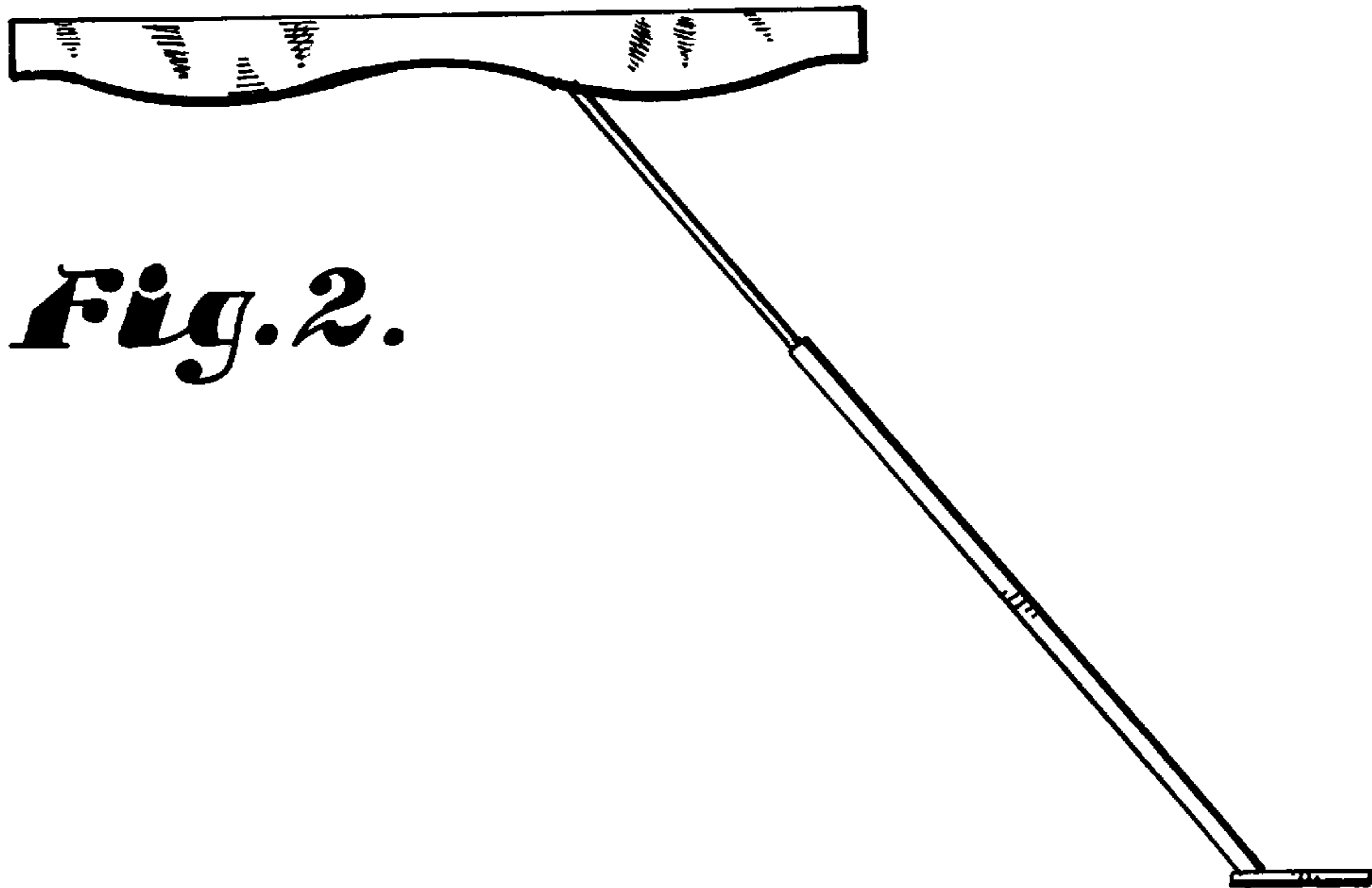
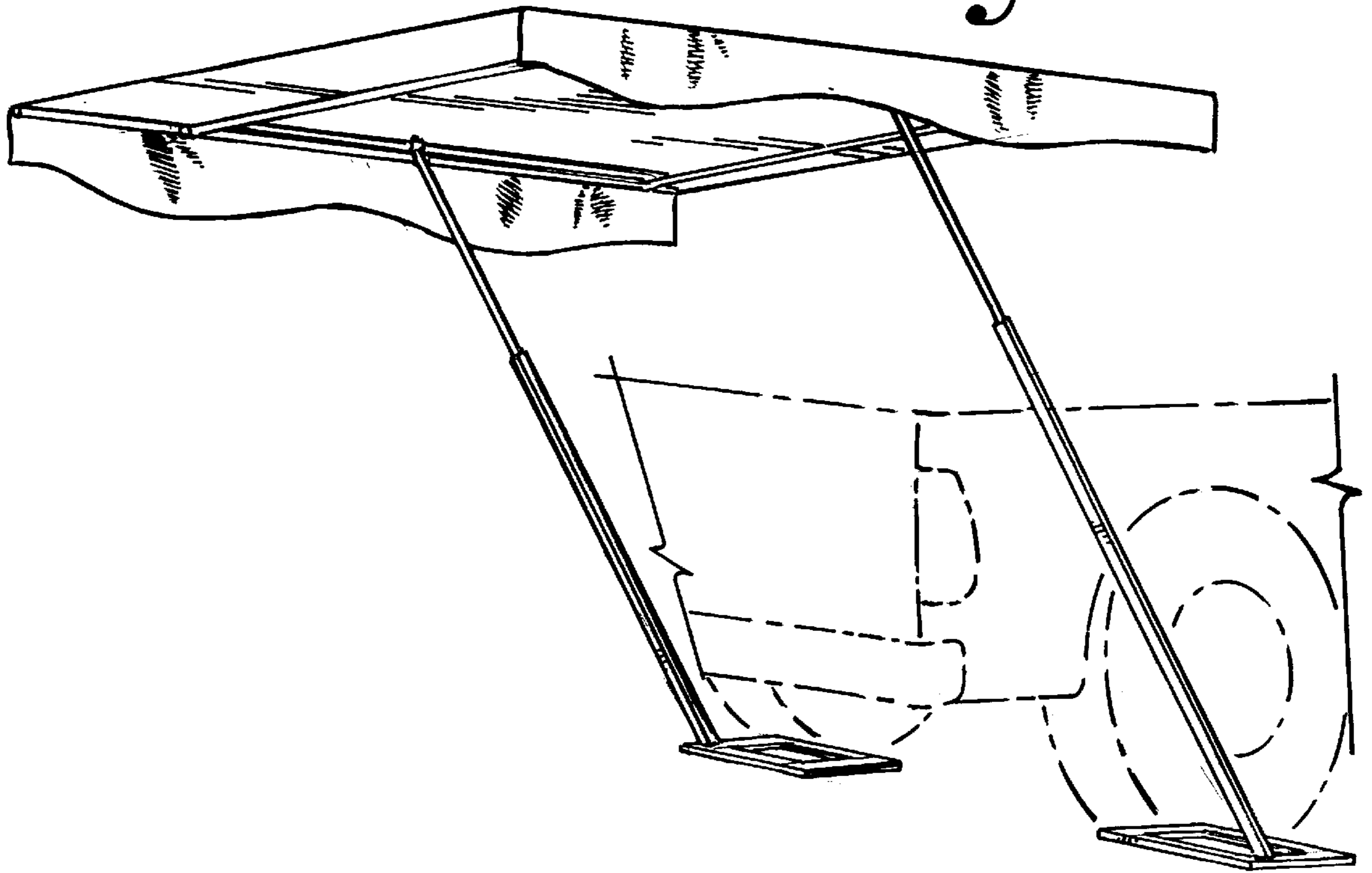


Fig. 2.

Fig. 3.

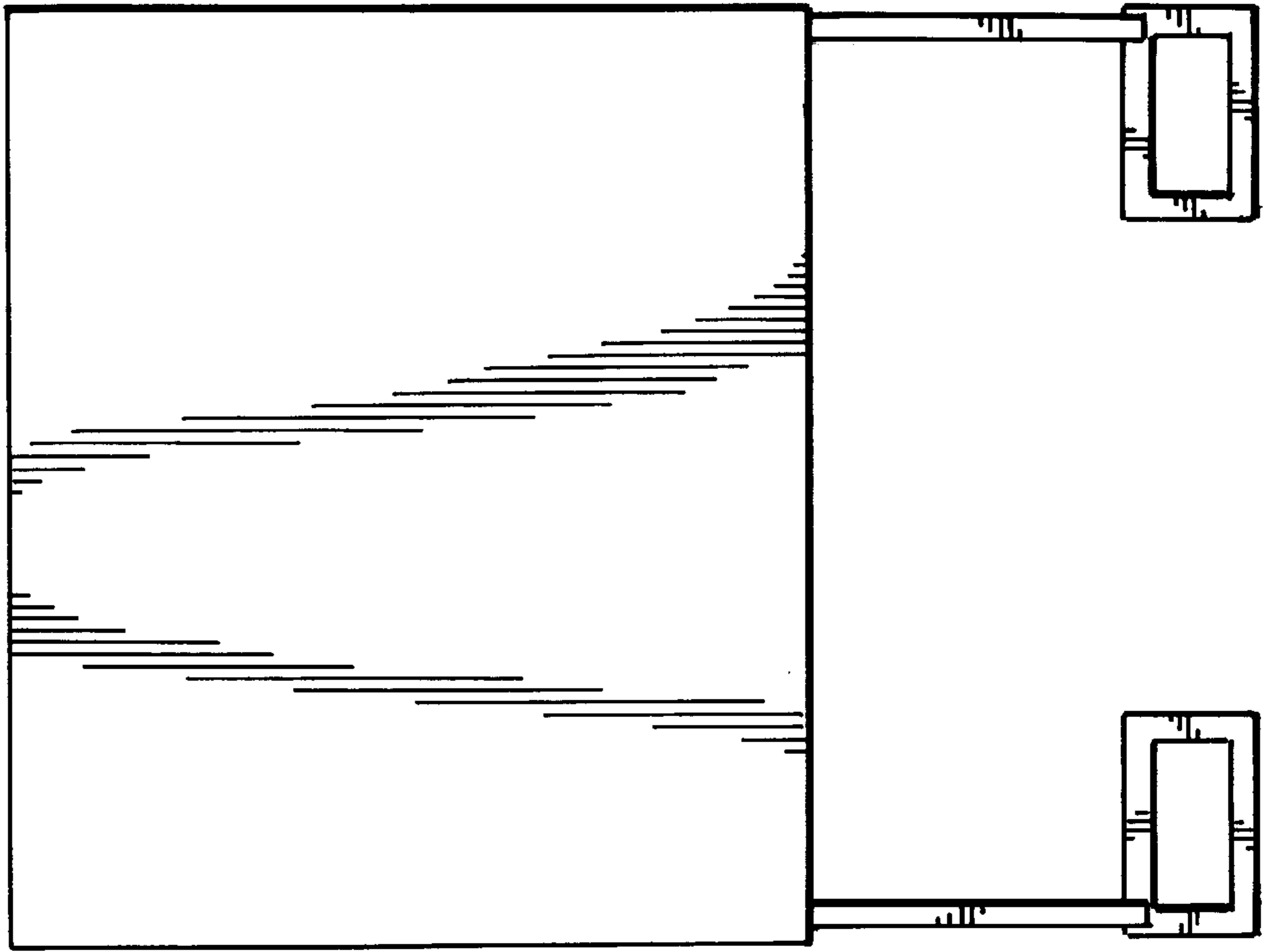


Fig. 4.

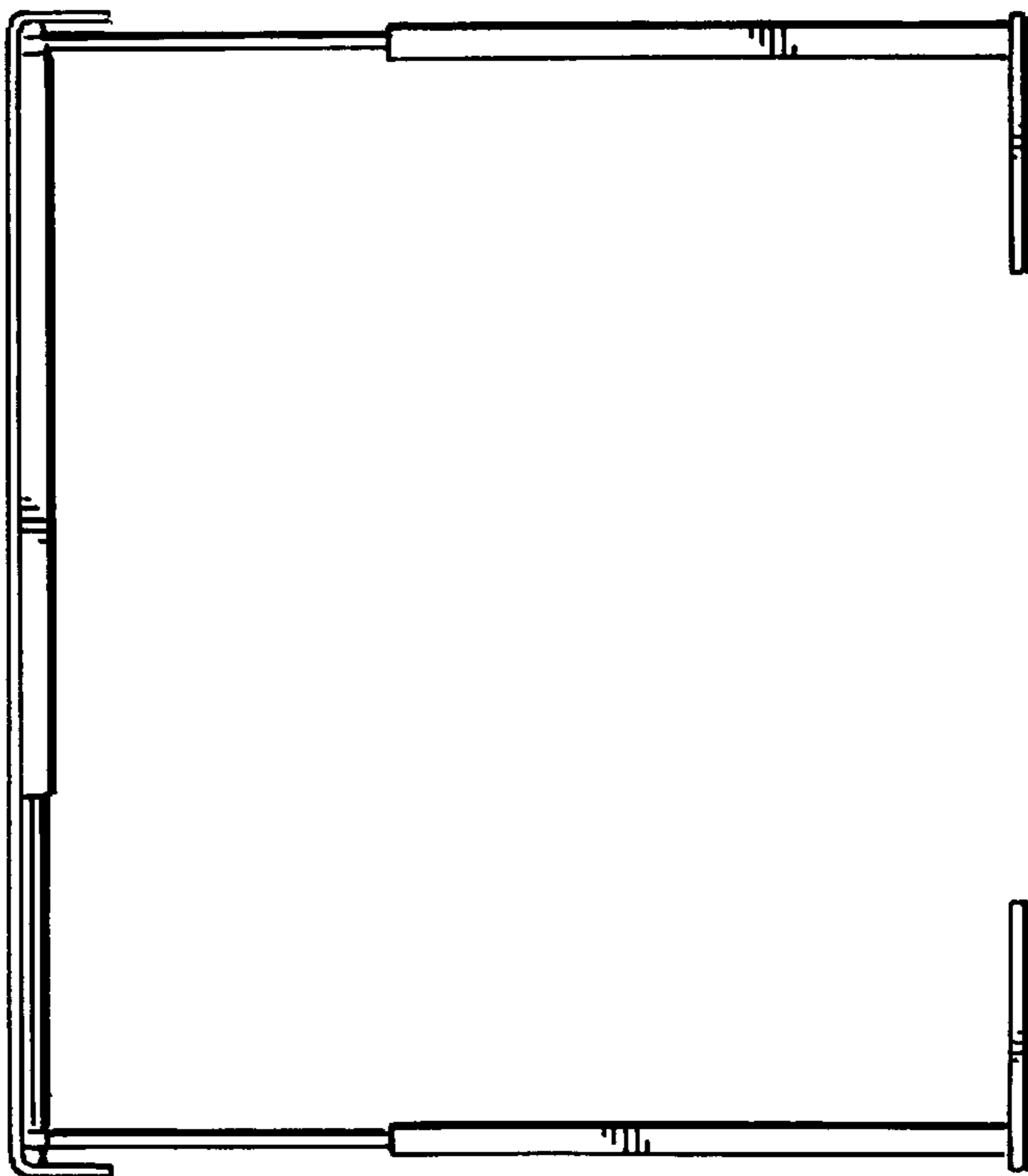


Fig. 5.

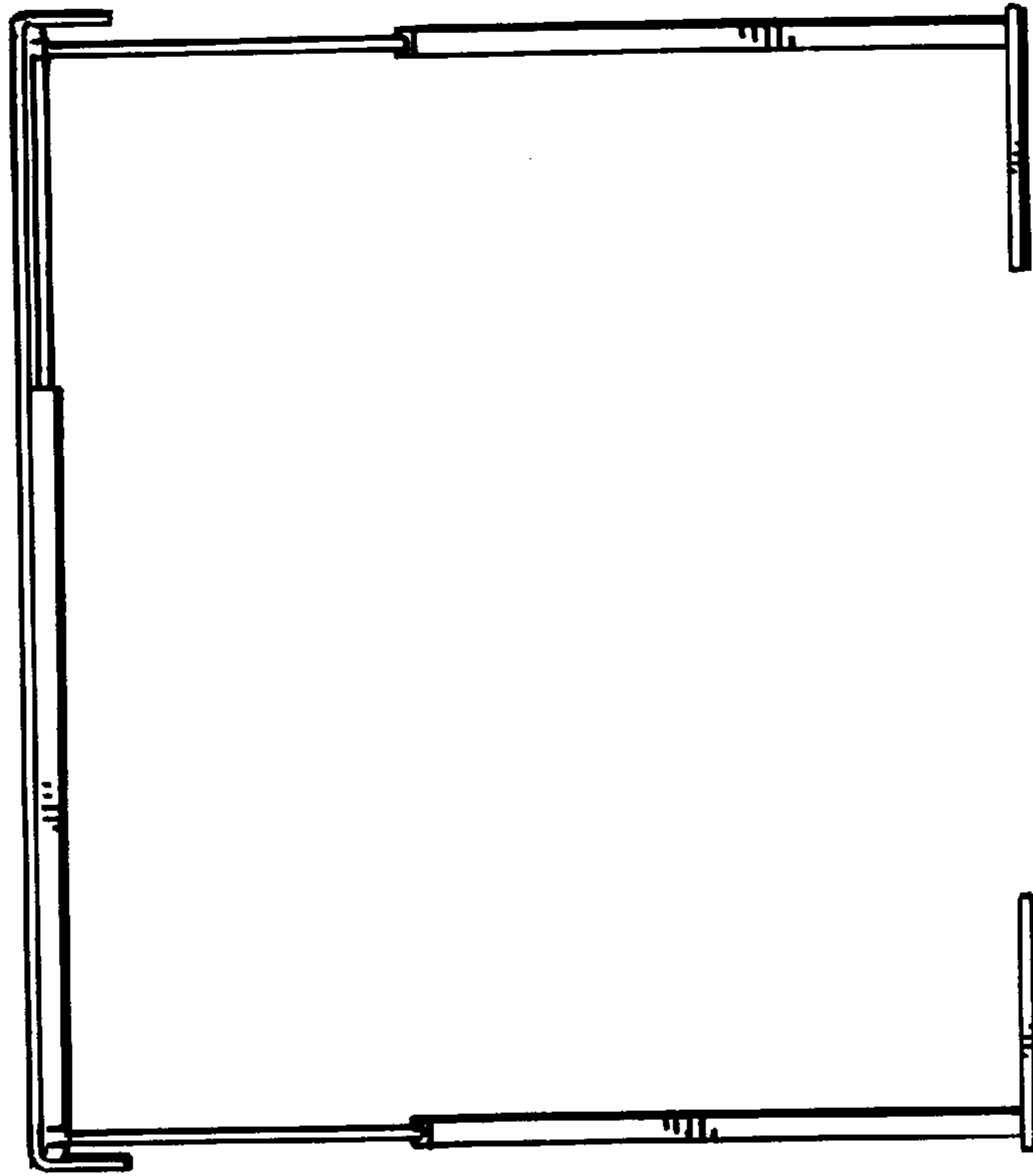


Fig. 6.

