



US00D409758S

United States Patent [19]

Warden et al.

[11] Patent Number: **Des. 409,758**

[45] Date of Patent: **** May 11, 1999**

[54] SAMPLE CARTRIDGE

[75] Inventors: **Laurence Warden**, Poway; **David E. Kaplan**, Carlsbad, both of Calif.

[73] Assignee: **Accumetrics**, San Diego, Calif.

[**] Term: **14 Years**

[21] Appl. No.: **29/082,078**

[22] Filed: **Jan. 14, 1998**

[51] **LOC (6) Cl.** **24-01**

[52] **U.S. Cl.** **D24/216; D24/224**

[58] **Field of Search** D24/216-219, D24/224, 231; 435/287.1, 299.1, 299.2, 283.1, 288.1; 422/63, 100, 101; 73/864.31, 864.12

[56] References Cited

U.S. PATENT DOCUMENTS

D. 332,835	1/1993	Antocci et al.	D24/224
3,640,388	2/1972	Ferrari	D24/216
5,077,017	12/1991	Gorin et al.	422/100
5,104,813	4/1992	Besemer et al.	436/179
5,500,187	3/1996	Deoms et al.	422/58
5,628,961	5/1997	Davis et al.	422/63
5,652,149	7/1997	Mileaf et al.	436/518
5,807,523	9/1998	Watts et al.	422/63
5,846,492	12/1998	Jacobs et al.	422/63

OTHER PUBLICATIONS

FDA/Accumetrics, "Overview of Accumetrics Rapid Platelet Function Assay," FDA/Accumetrics Meeting, pp. 1-17 (Jun. 18, 1996).

Primary Examiner—Stella Reid
Assistant Examiner—Gregory Andoll
Attorney, Agent, or Firm—Heller Ehrman White & McAuliffe

[57] CLAIM

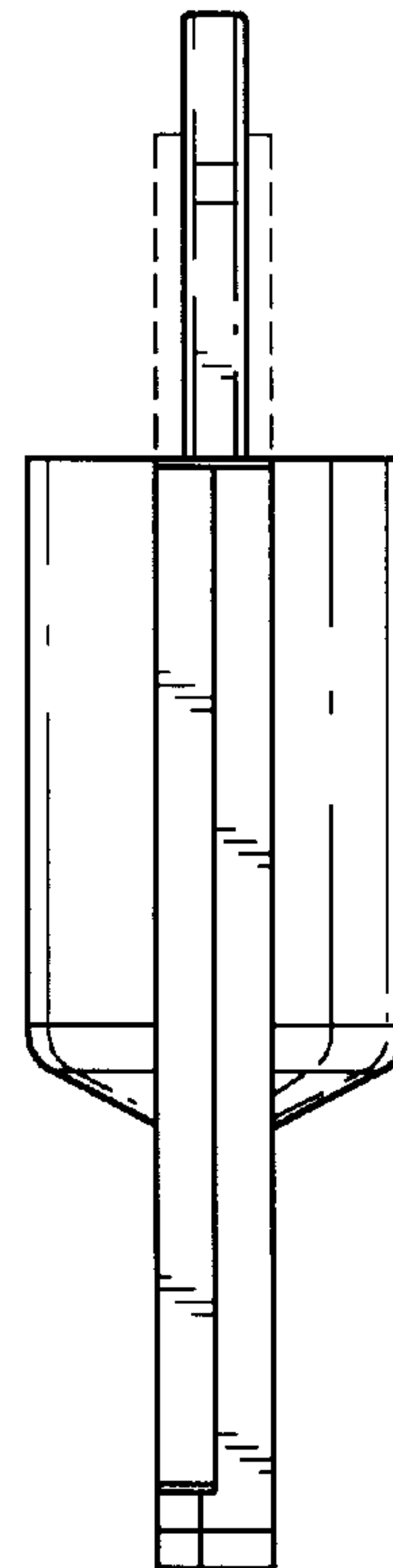
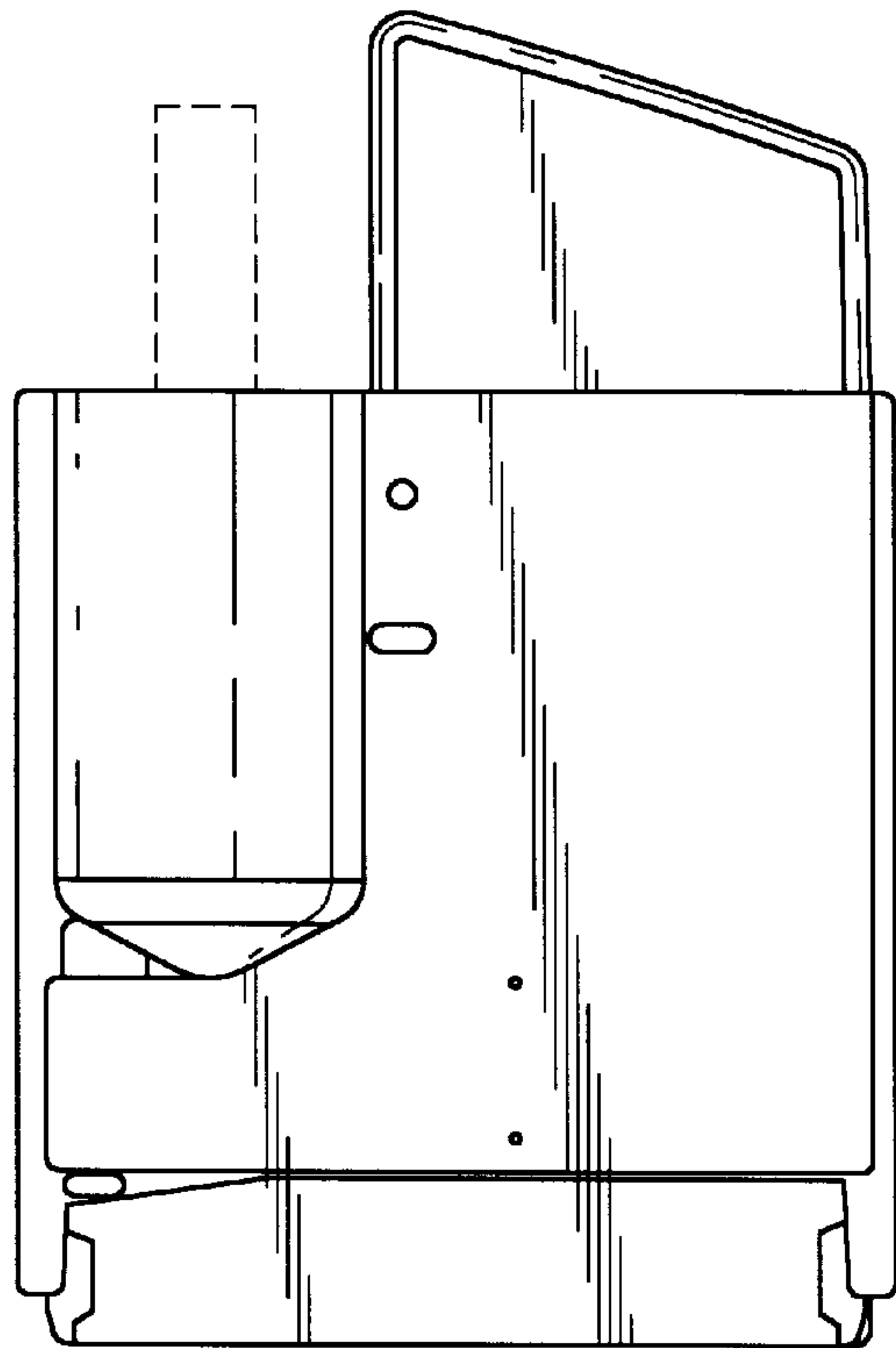
The ornamental design for a sample cartridge, as shown and described.

DESCRIPTION

FIG. 1 is a top view of the sample cartridge, showing our new design;
FIG. 2 is a right side view of our design;
FIG. 3 is an end view of our design;
FIG. 4 is a left side view of our design;
FIG. 5 is an exploded view of our design;
FIG. 6 is a bottom view of our design; and,
FIG. 7 is a view of our design toward an opposite end from that shown in FIG. 3.

The following do not form part of the claimed design: the broken line depiction of a needle cap; and the inside surfaces which are not shown in the drawings.

1 Claim, 3 Drawing Sheets



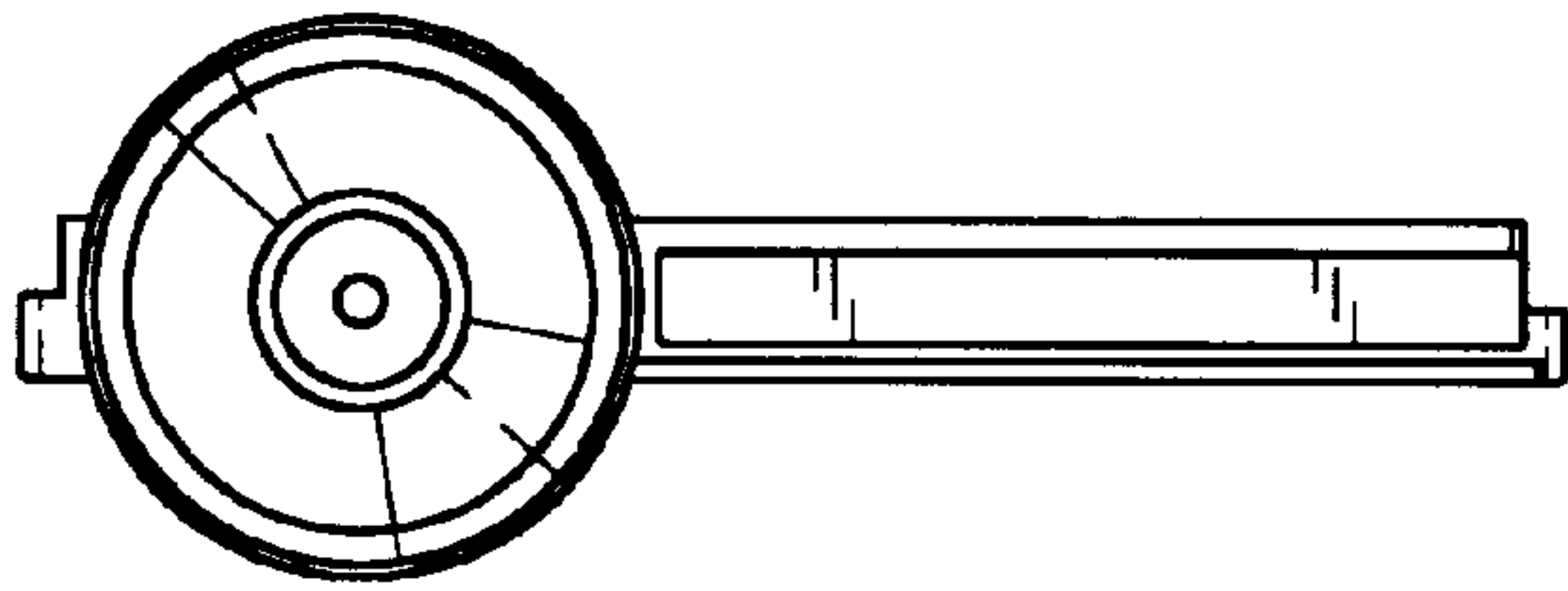


FIG. 1

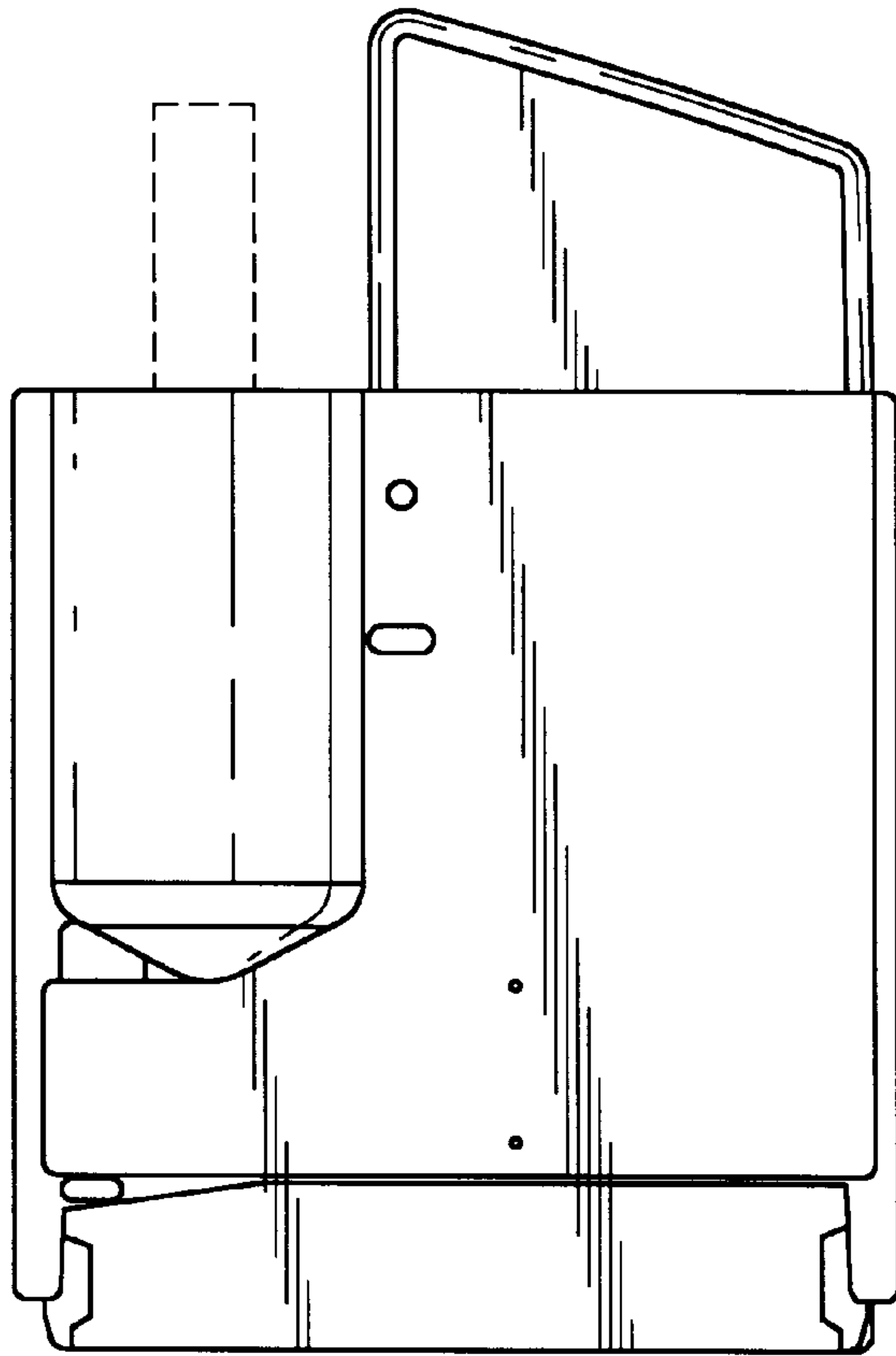


FIG. 2

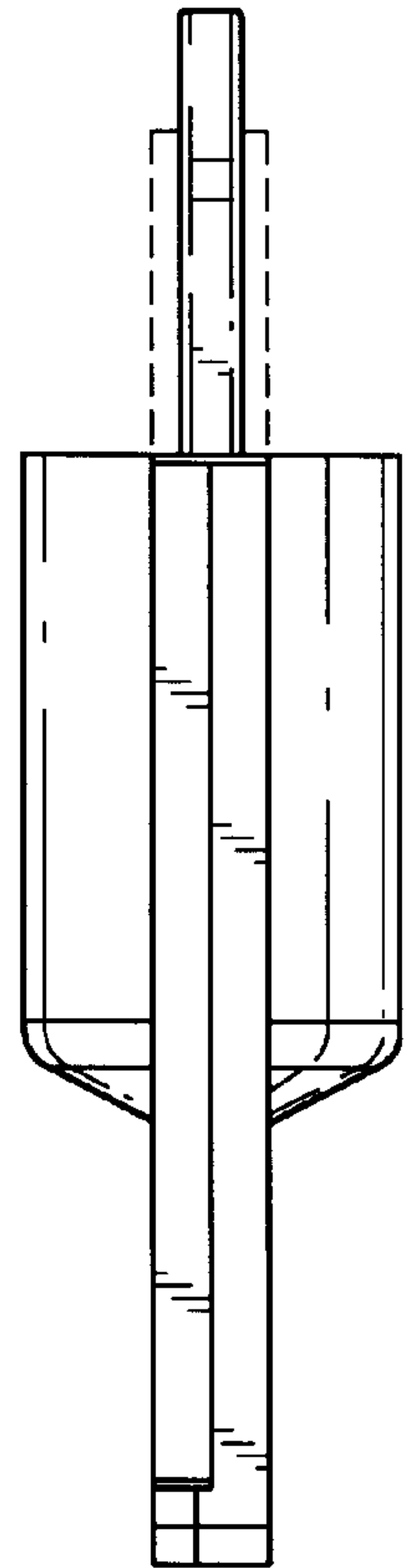
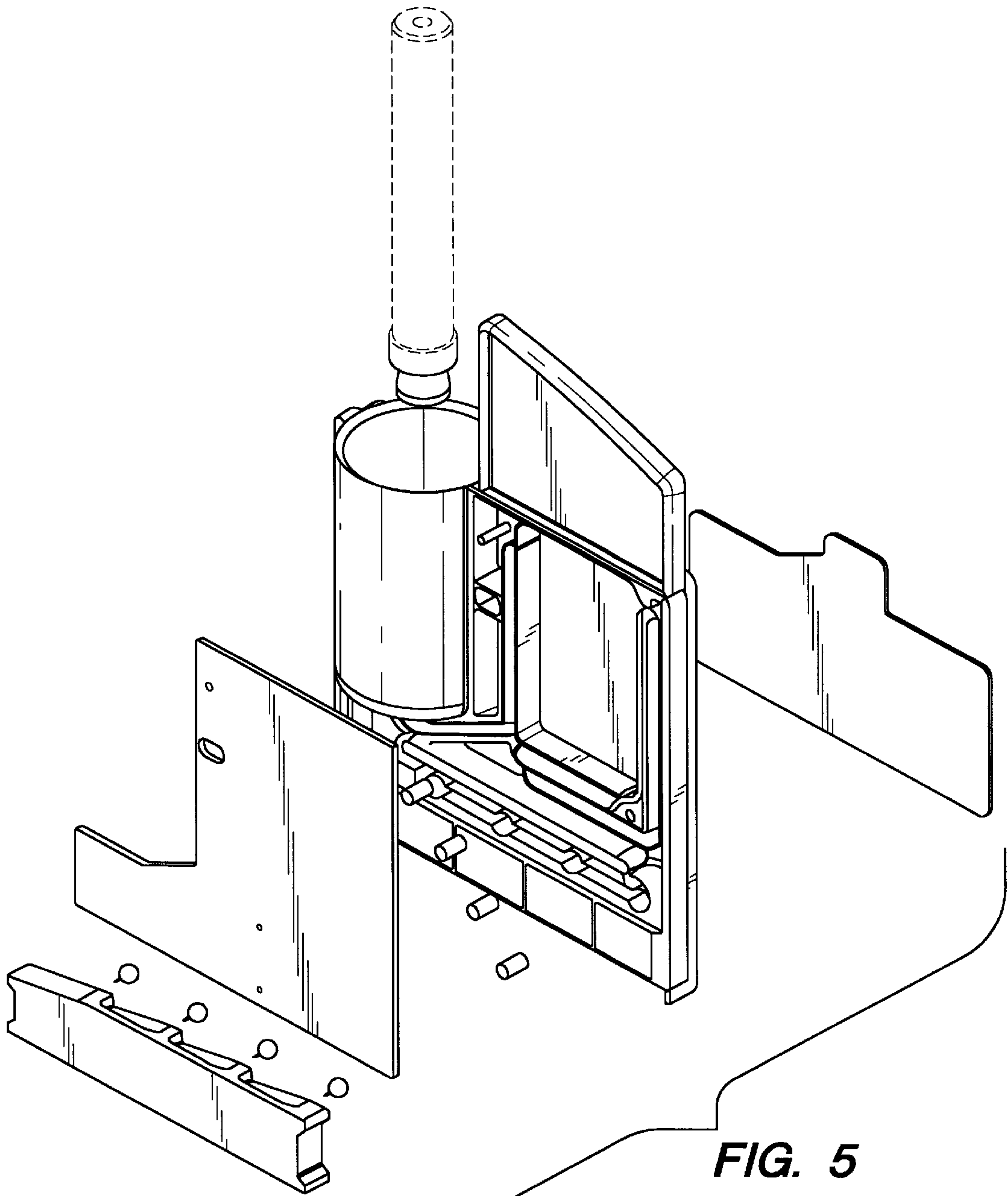


FIG. 3



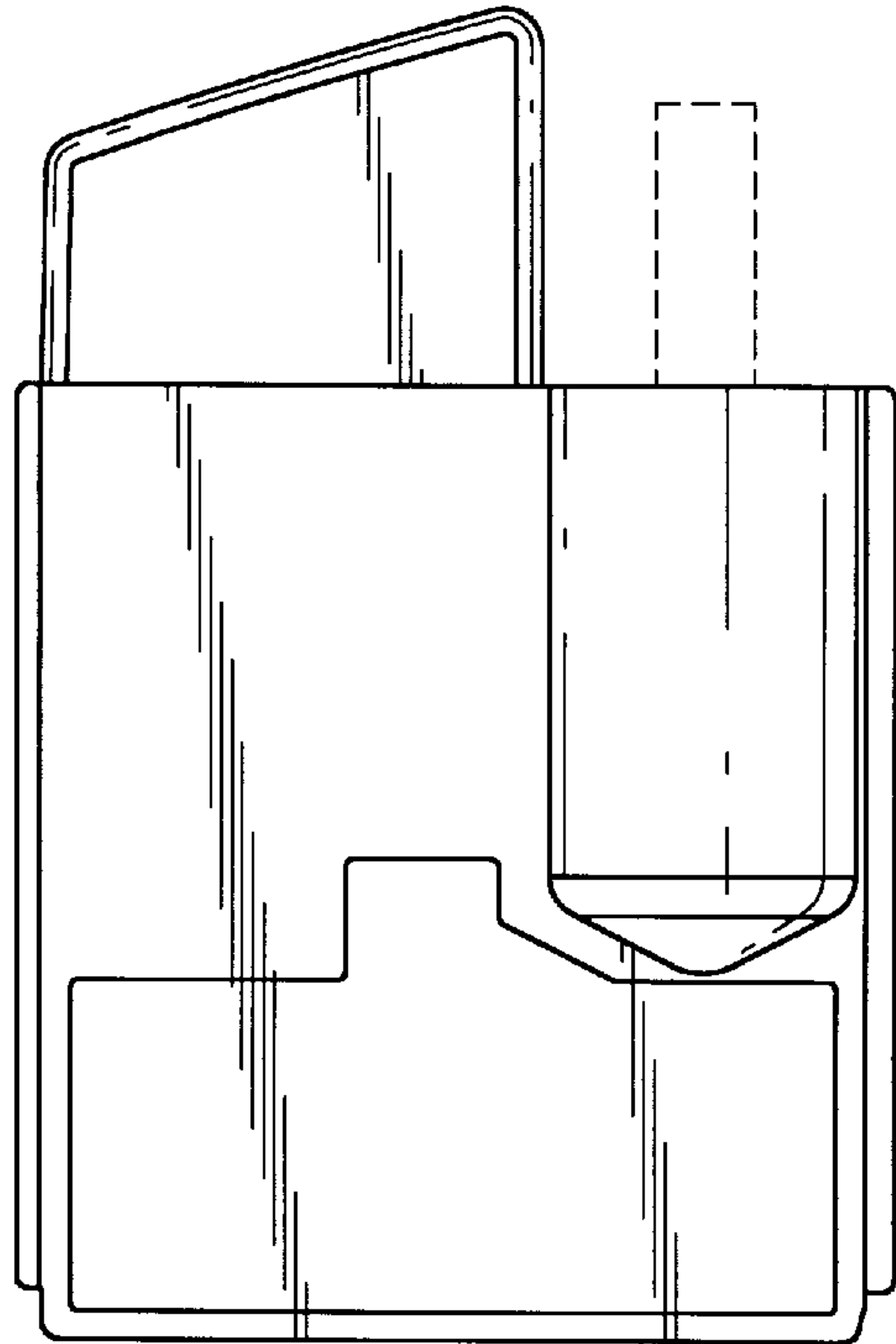


FIG. 4

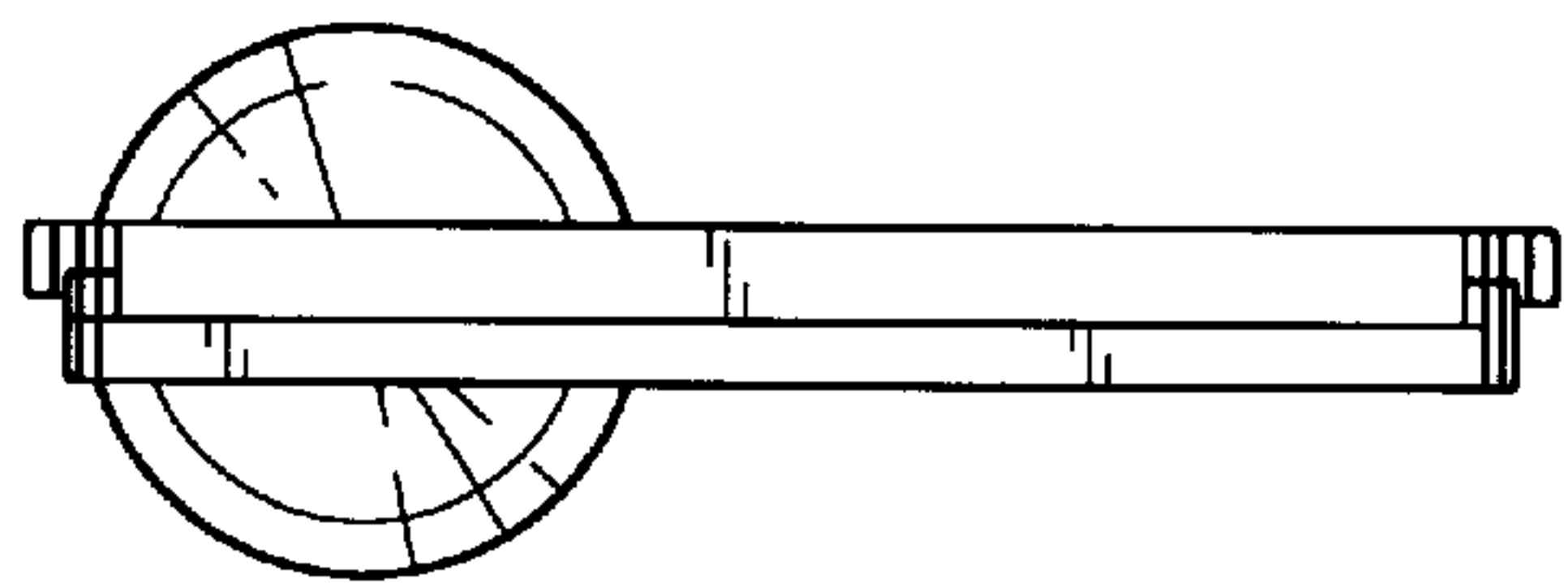


FIG. 6

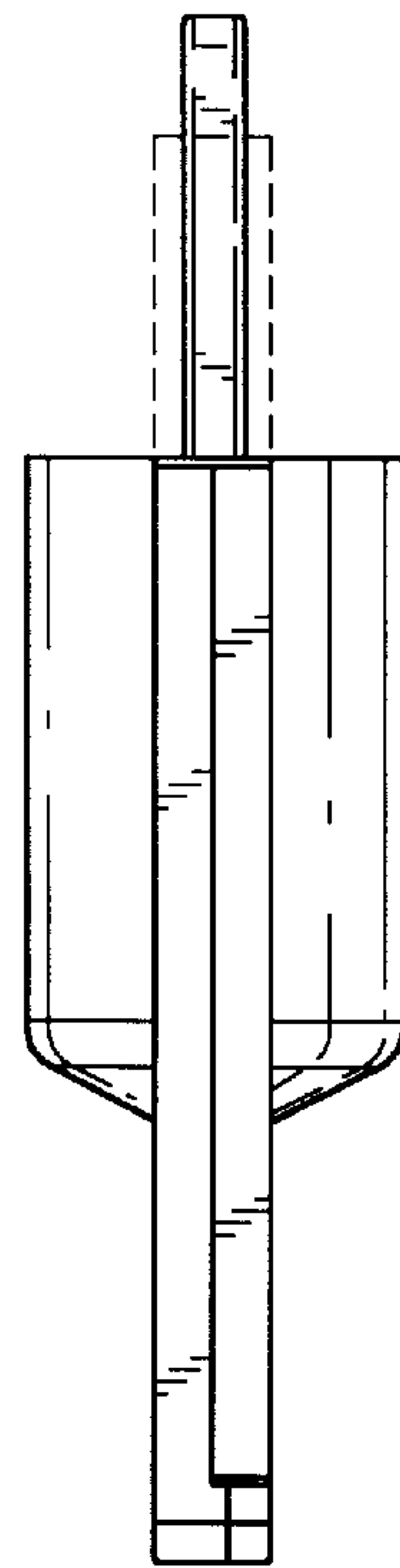


FIG. 7